



1718 W. Fullerton Chicago, IL 60614  
 Ph: 773.770.1195 • Fax: 773.935.5613  
 www.PureEdgeLighting.com • info@PureEdgeLighting.com  
 © 2016 PureEdge Lighting. All Rights Reserved.

## Installation Instructions for Verge Door Frame

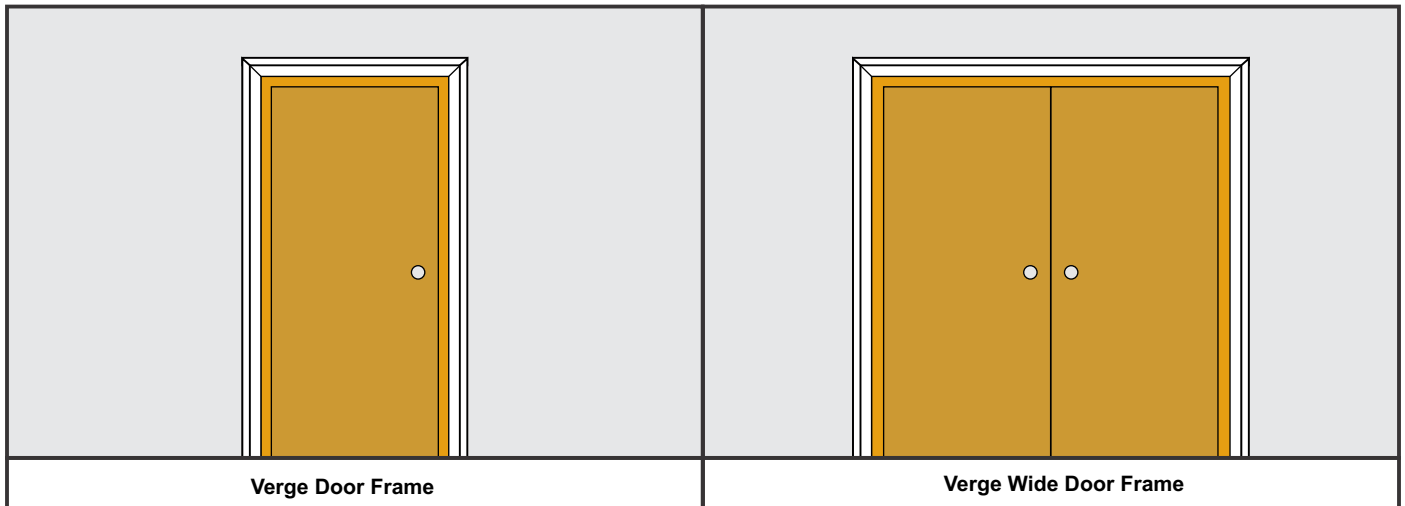
### IMPORTANT INFORMATION

- This fixture is wall mount only.
- This instruction shows a typical installation.
- **Consult the configuration notes of Page 1 before beginning any installation.**



**SAVE THESE INSTRUCTIONS!**

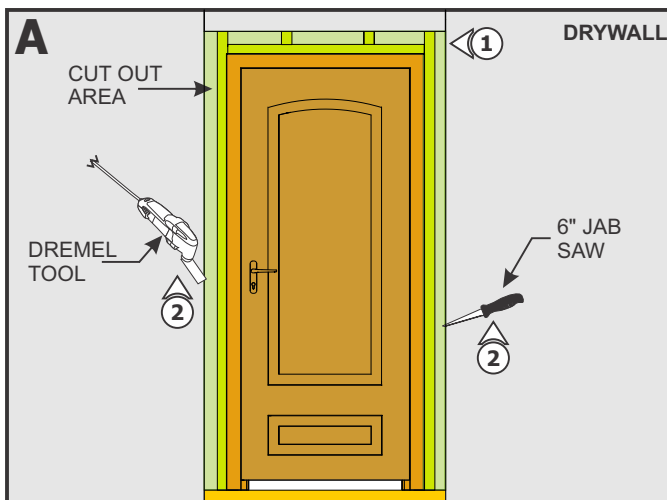
### Section One: Basic Configuration Options



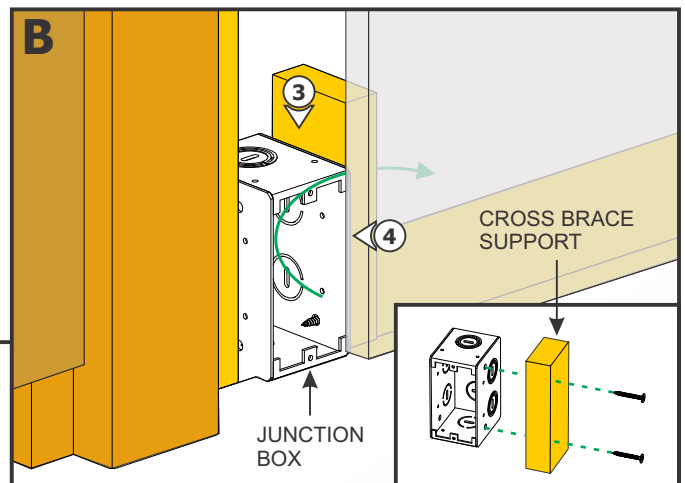
Standard Verge Door Frame installations are designed for standard door frame dimensions (80"H x 36"W).

Verge Wide Door Frame installations are designed for wider or custom door frame dimensions that exceed the width of a standard door frame.

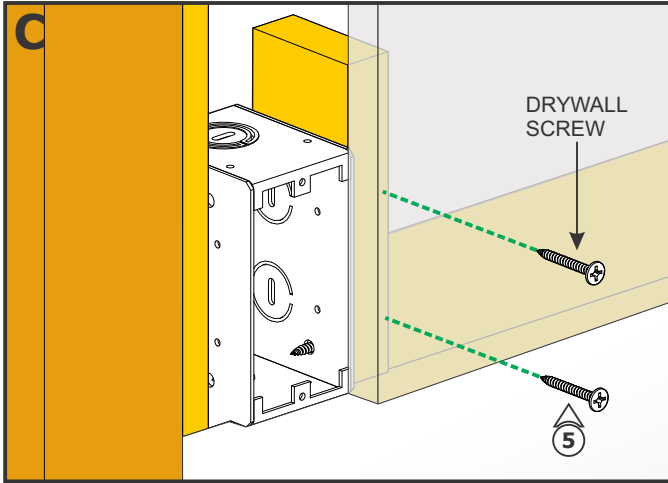
### Section Two: Standard Installation



- 1: Ensure a 4-1/8" space between each edge of the door frame and the surrounding drywall. (4" backer plate + 1/8" Verge channel, shown marked in green)
- 2: If required, cut out drywall along marked line using appropriate tool.

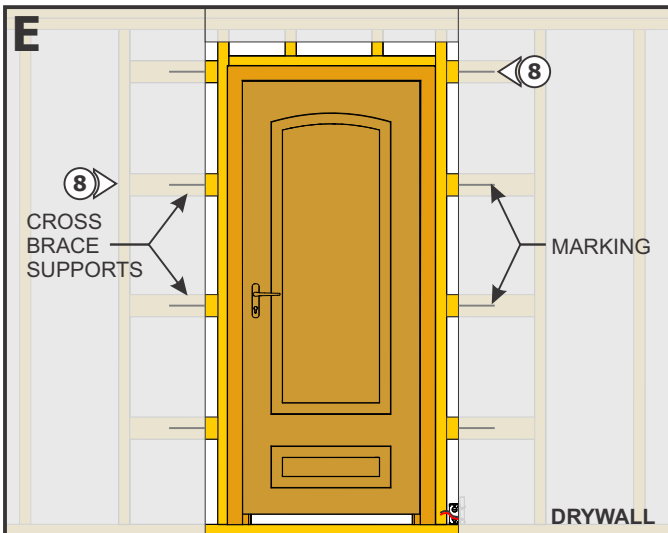
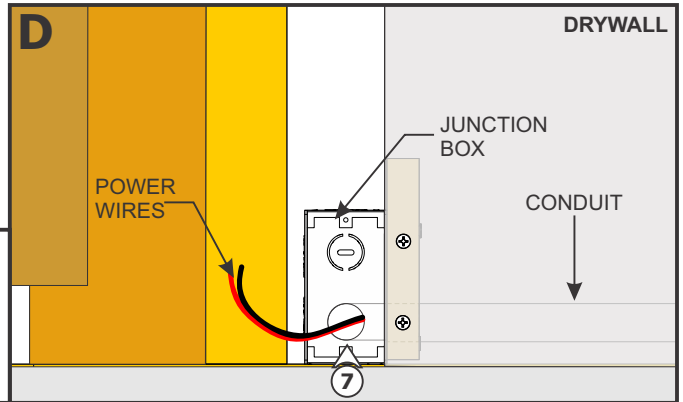


- 3: Place the junction box assembly behind the drywall. Align the junction box to the drywall edge for ease of access.
- 4: Secure the junction box using provided hanger bars or by using a cross brace support to the drywall or adjacent studs.



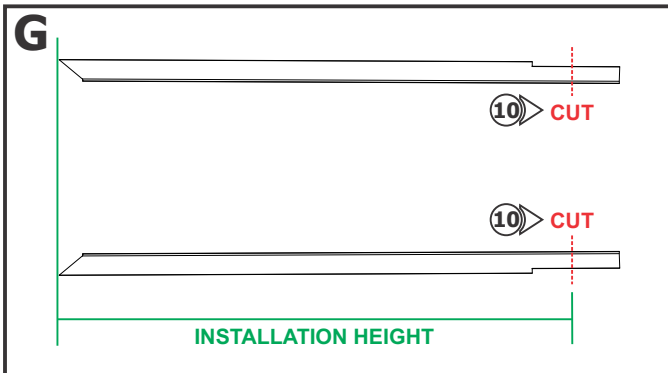
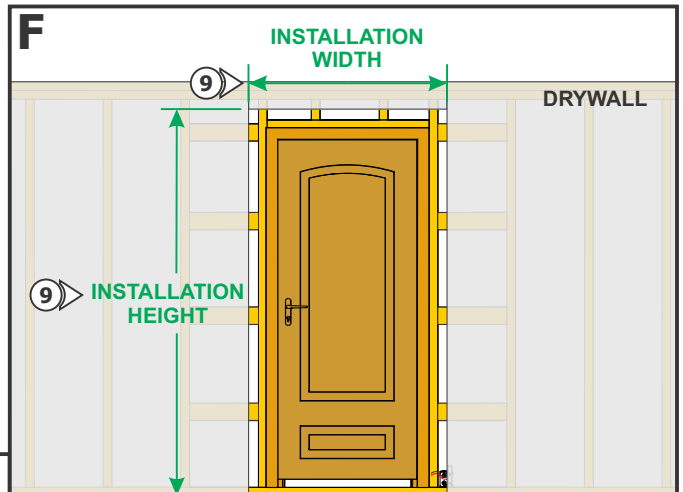
5: If required, secure the junction box assembly to the drywall using drywall screws.

6: Install remote power supply. Reference the instructions included with the power supply.  
 7: Remove a knockout and install conduit to junction box as required by local electrical code. Run the low voltage wires to the junction box.

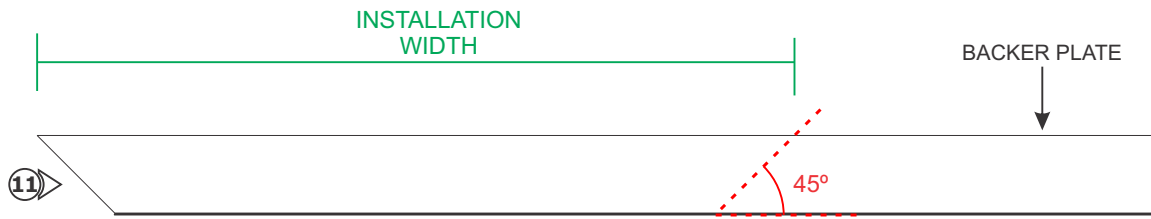


8: For areas with lots of vibrations, install 2x4 cross brace supports behind the drywall as needed (suggested spacing is 32") to avoid cracking of plaster. Mark the cross brace supports locations to the drywall for reference.

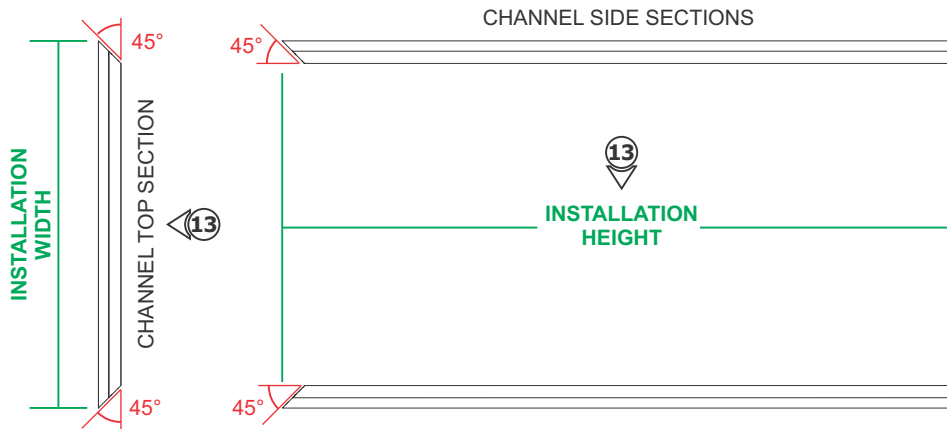
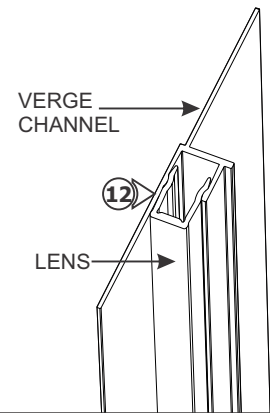
9: Measure the height and width of the installation cutout area.



10: Cut each side section of the backer plate using the installation height measurement from Step 9.

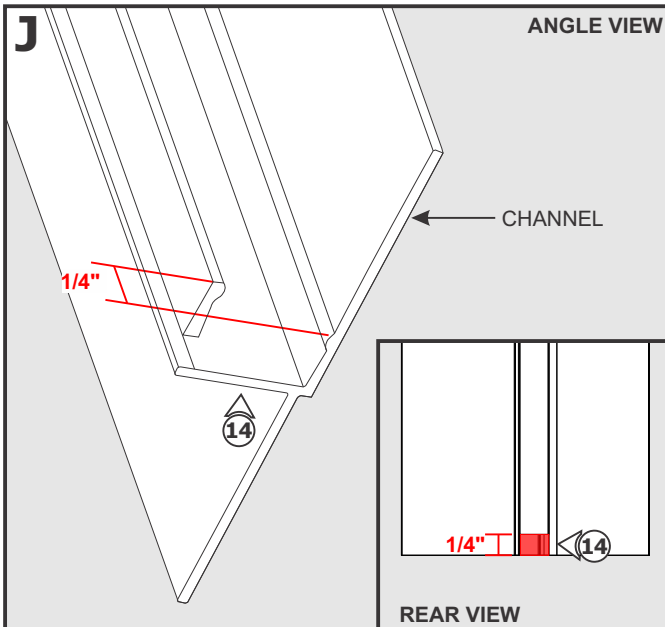
**H**

**11:** Cut the top section of the backer plate using the installation width measurement from Step 9 to determine the outside length of a matching 45° miter cut. This will allow the top and side sections to form 90° corners around the door frame.

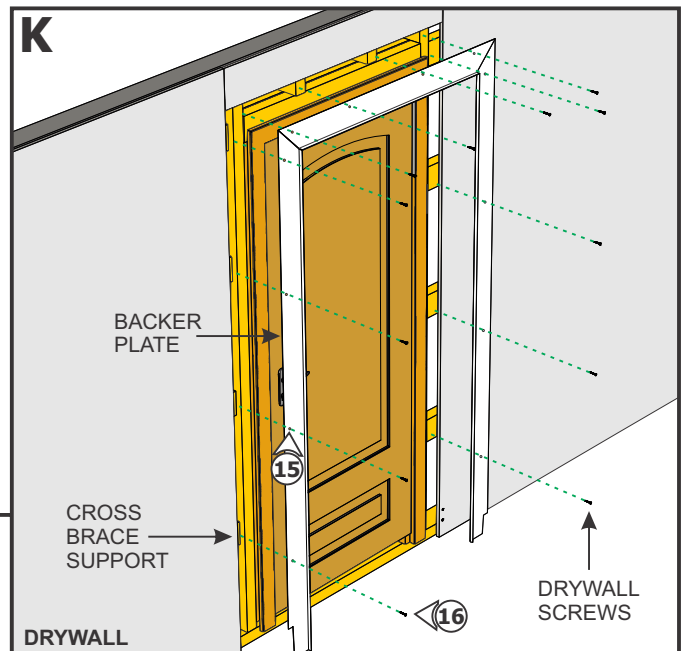
**I****ANGLE VIEW**

**12:** Snap lens into each length of channel **BEFORE** cutting channel to length or miter cutting corners. This ensures a proper fit after cutting.

**13:** Using the installation height and width measurements from Step 9, cut the top and side sections of channel to length. Miter cut all channel sections as required to form 90° corners around the door frame. Remove lens sections before continuing.

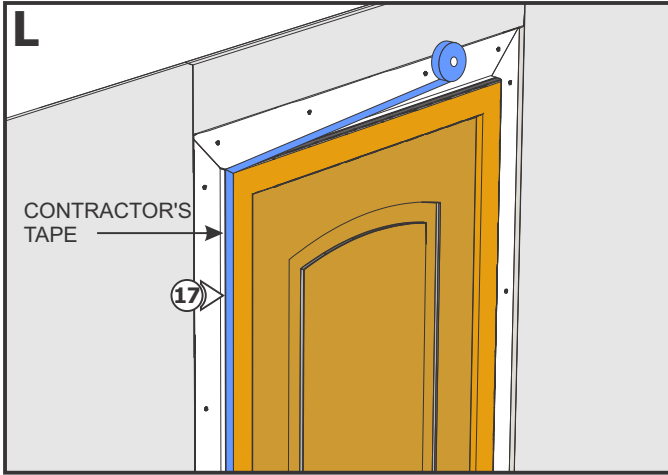
**J****ANGLE VIEW**

**14:** Use a Dremel or other appropriate tool to cut away a 1/4" section of the channel (highlighted in red) that will be placed over the electrical access junction box

**K**

**15:** Drill and countersink the backer plate to match the marked location of the cross brace supports.

**16:** Secure the backer plate to the cross brace supports using drywall screws.

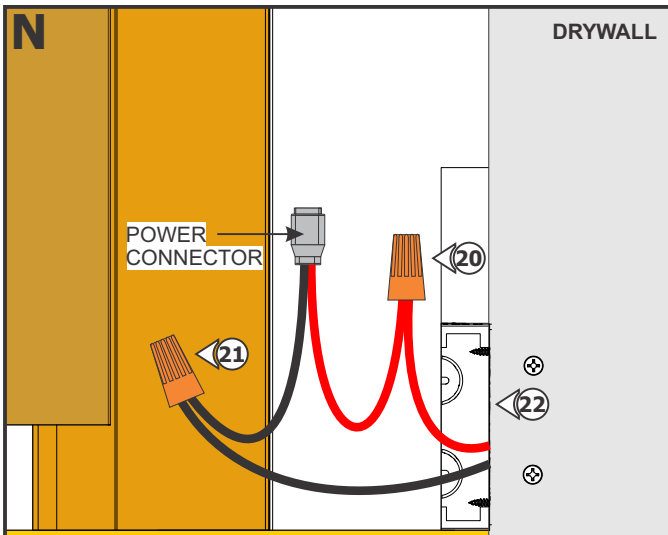
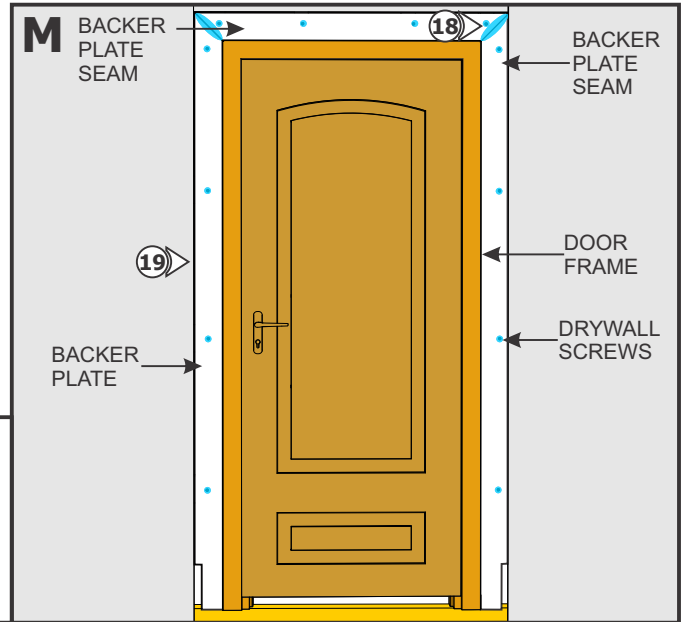


**17:** Apply blue contractor's tape around the edge of the door frame before beginning plastering and painting.

**18:** Apply plaster (highlighted in blue) to the corner seams of the backer plate and cover the drywall screws.

**19:** Sand, paint, and finish the backer plate before continuing.

**NOTE:** For best results, use only non-gloss white paint for finishing of backer plate.

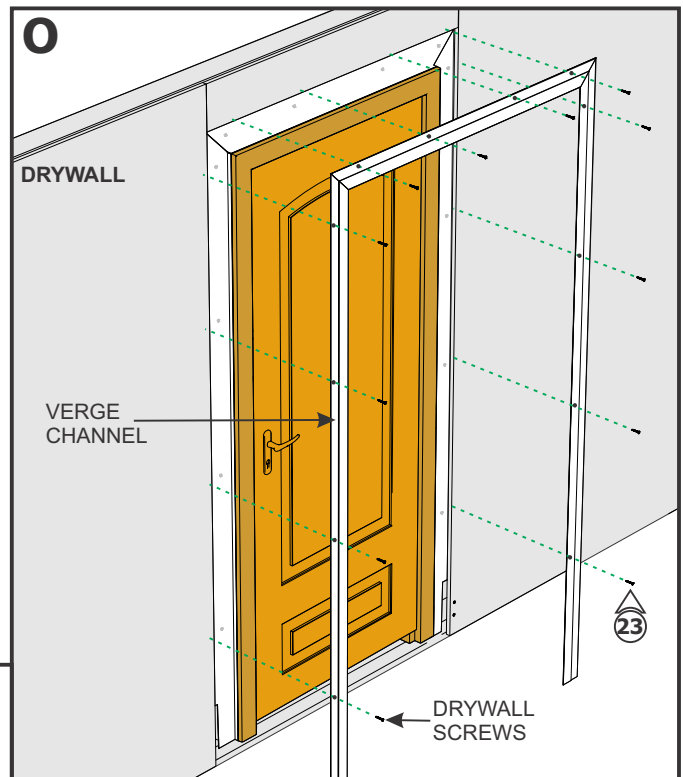


**20:** Connect the red +24VDC wire to the red power connector wire using a wire nut.

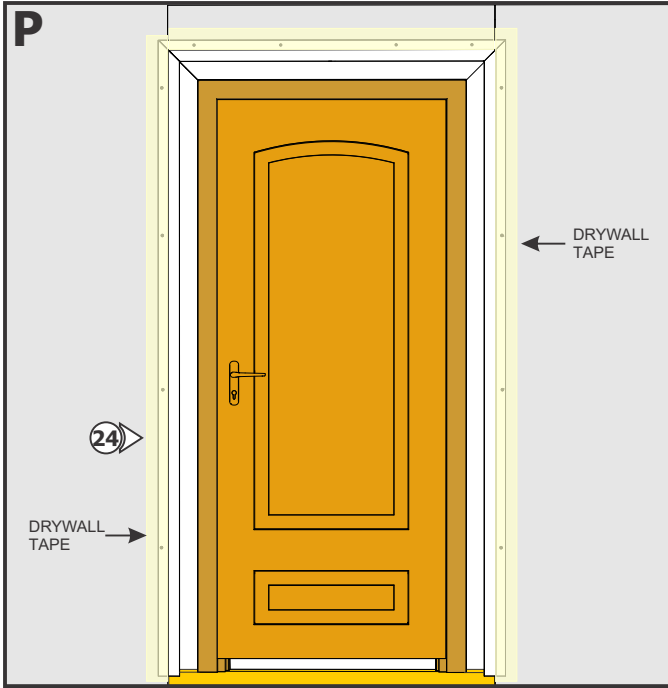
**21:** Connect the black -24VDC wire to the black power connector wire using a wire nut.

**22:** Place wire connections in the junction box.

**CAUTION:** Unroll the entire LED strip from the reel and use the power connector to power the strip making sure there is no outage before continuing with the installation. Afterwards, carefully roll the LED strip loosely back into the reel.



**23:** Align the Verge channel with the outside edge of the backer plate. Drill and countersink the channel using marks on drywall as a guide. Secure the channel to the drywall using drywall screws.

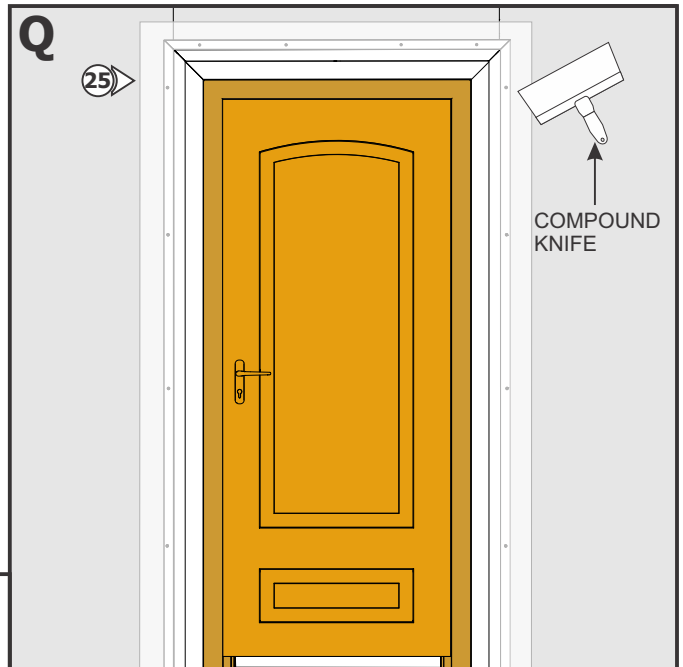


**NOTE:** Cover the channel opening with contractor's tape before plastering.

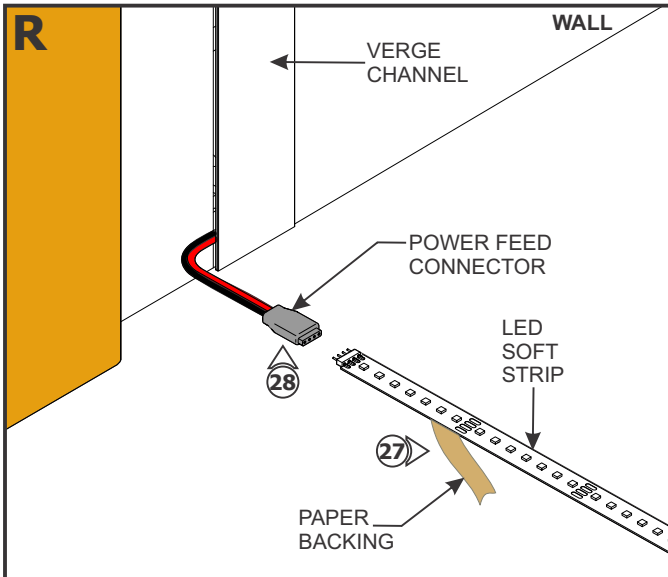
**NOTE:** For areas with lots of vibrations, it is suggested to use Durabond to avoid cracking of plaster.

**NOTE: Do Not use premixed joint compound "Soft Mud." No use compuesto para juntas premezclado "Soft Mud."**

**24:** Must apply drywall tape (Ultra-Thin drywall tape suggested) along edges of channel to prevent cracking of plaster after installation. **DO NOT** overlap strips of drywall tape.



**25:** Sand, paint, and finish the plaster and drywall before removing the contractor's tape. Use a compound knife for a smooth compound spread.

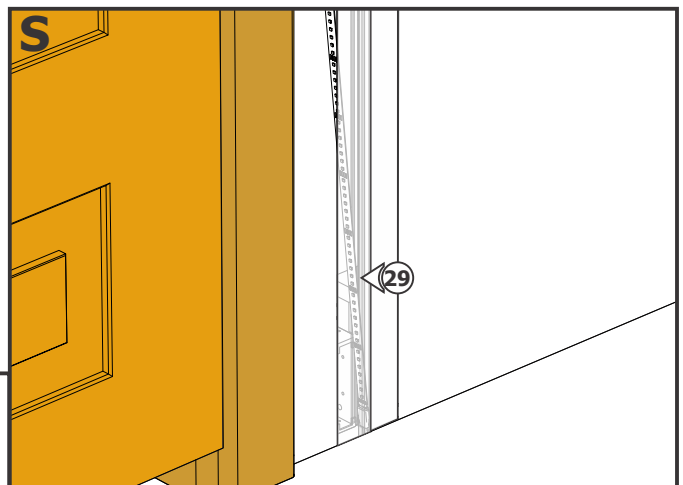


**26:** Clean the inner channel surface with alcohol to remove any dust or debris before continuing.

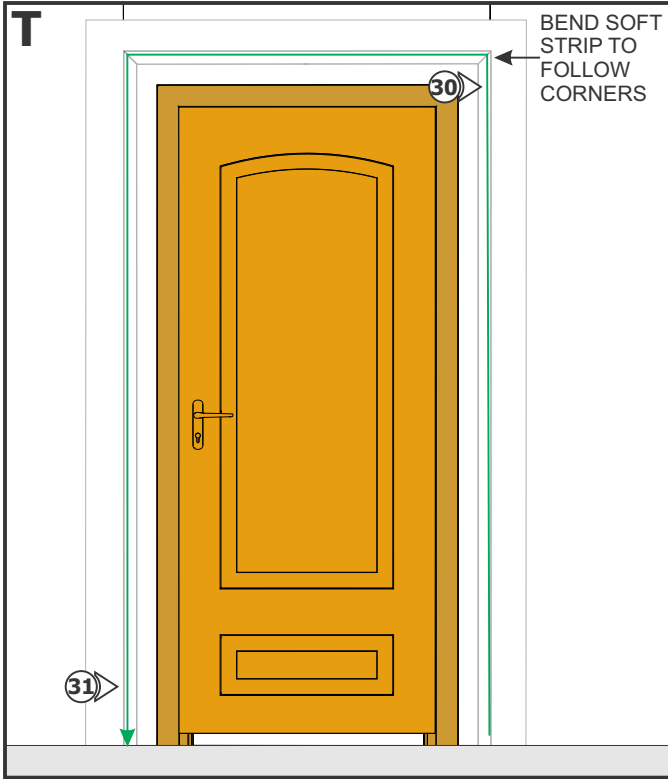
**27:** Carefully remove the backing from the LED soft strip, making sure not to remove the adhesive.

**28:** Align the red wire side of the power connector with the "+24VDC" marking on the soft strip. Push the male connector of the soft strip into the female power connector.

**NOTE:** If installation requires RGB, RGB+W, or Tunable White, refer to wiring diagrams on pages 6 through 8.

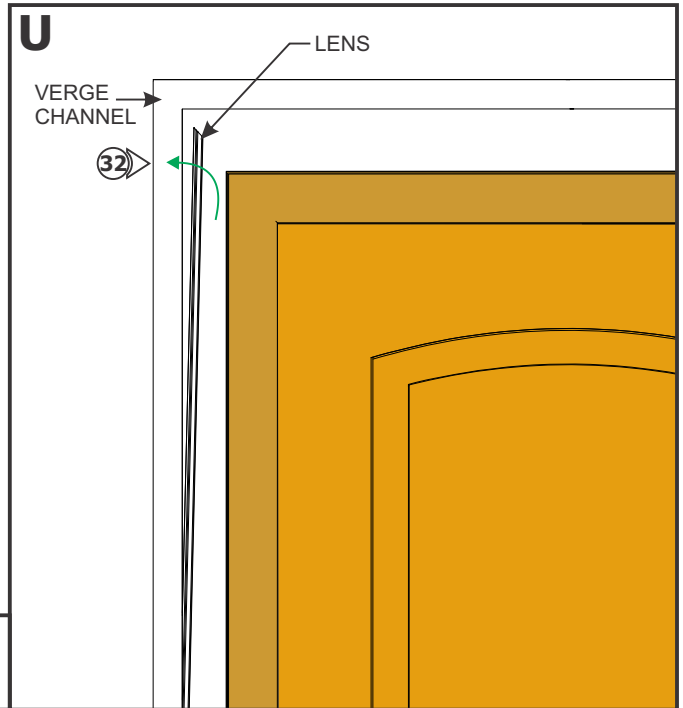


**29:** Firmly press down the adhesive portion of the soft strip onto the channel surface while removing the rest of the backing, making sure there are no air bubbles that can cause surface irregularities.



**30:** Bend the soft strip to match the installation corner.

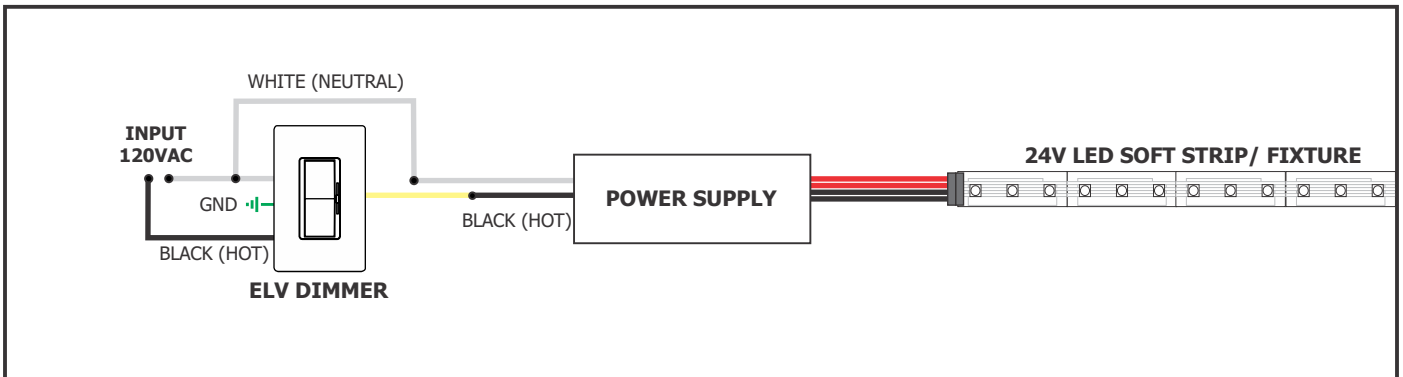
**31:** If required, trim the soft strip on the dashed cutting lines **ONLY**. Ensure the entire length of the channel is covered with Soft Strip to avoid unlit areas.



**32:** Snap the cut lens sections into the channel. Ensure all sections of channel are fully seated, especially where the lens sections meet in the corner of the installation.

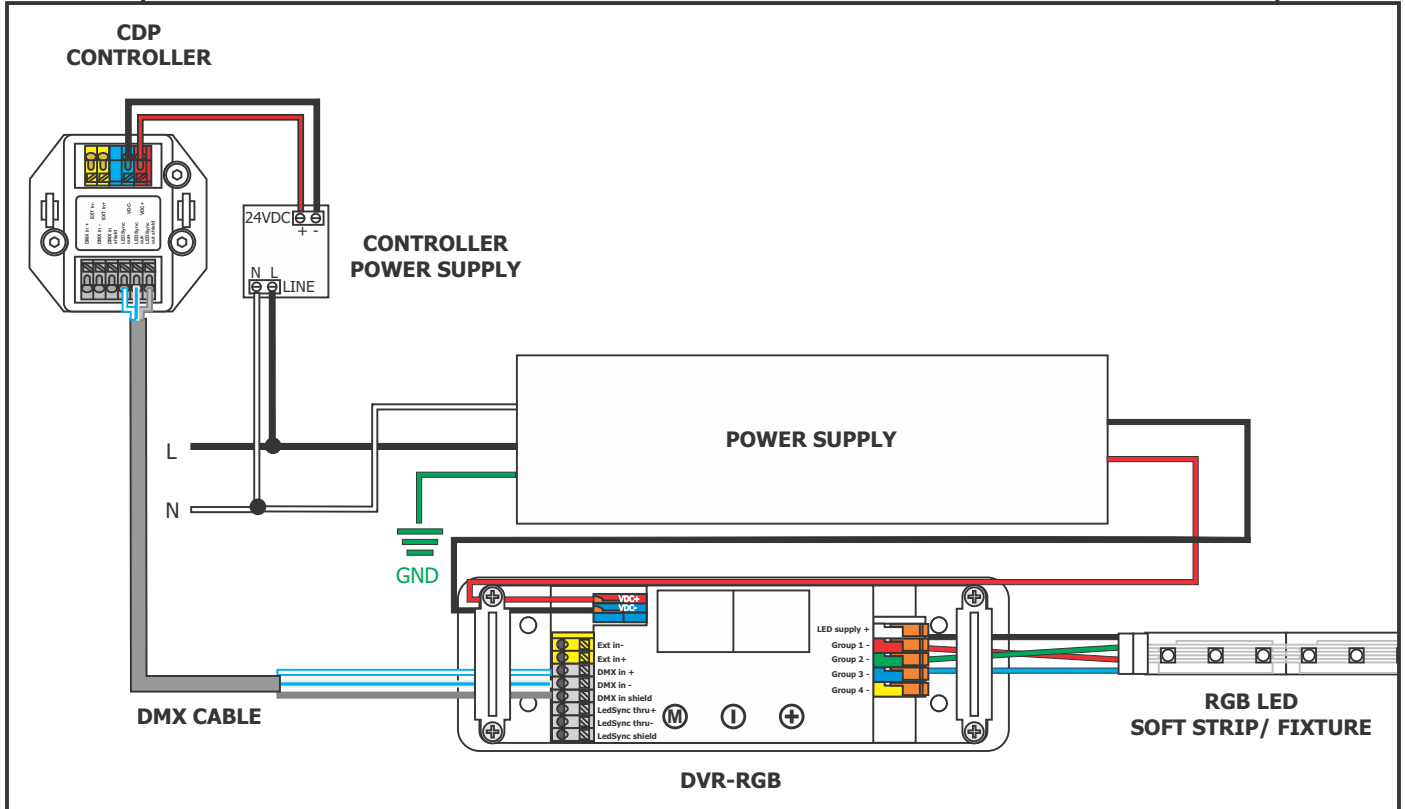
## Wiring Diagrams

### General 24VDC Configuration



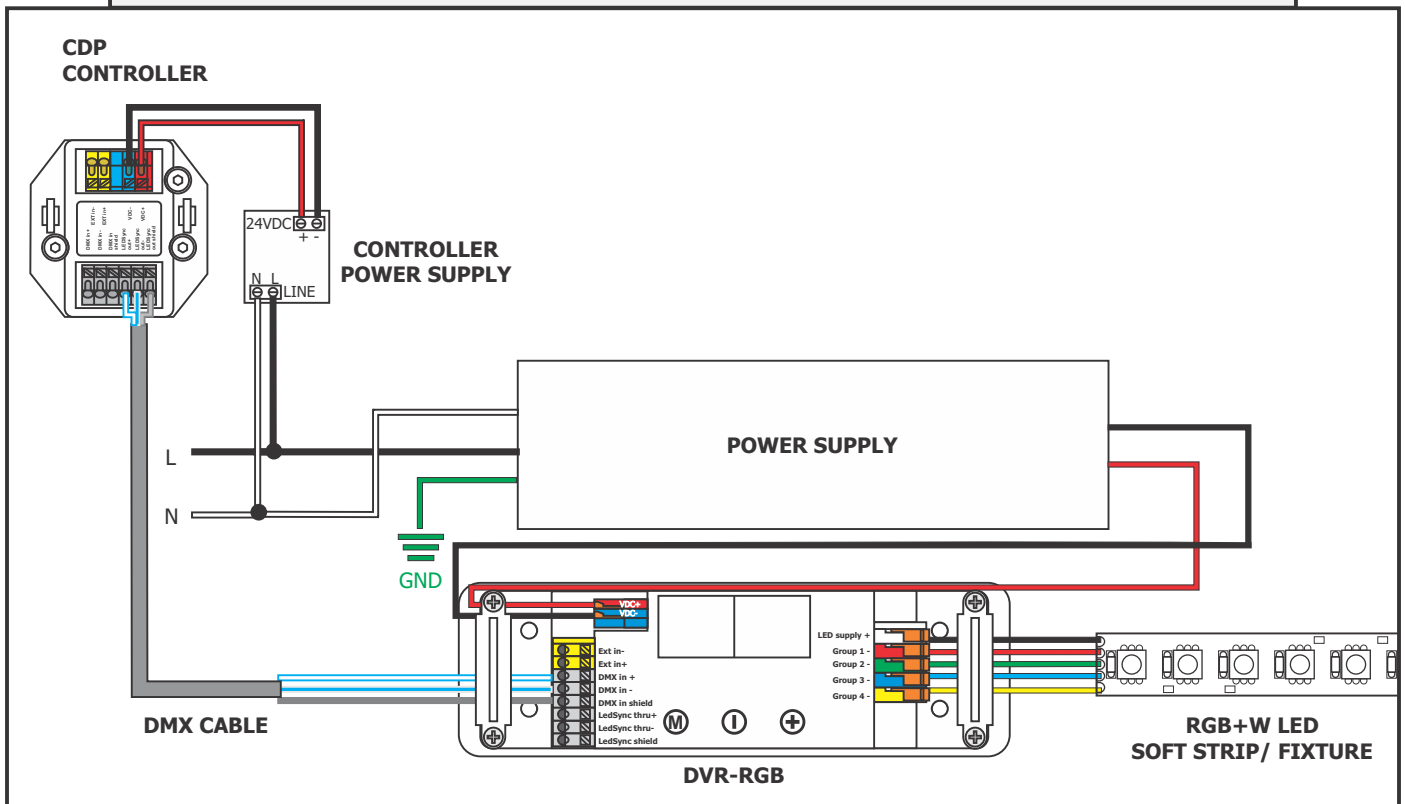
## Standard RGB Configuration

Using LED Power Supply with RGB Soft Strip & CDP, CTP or CDMX Control

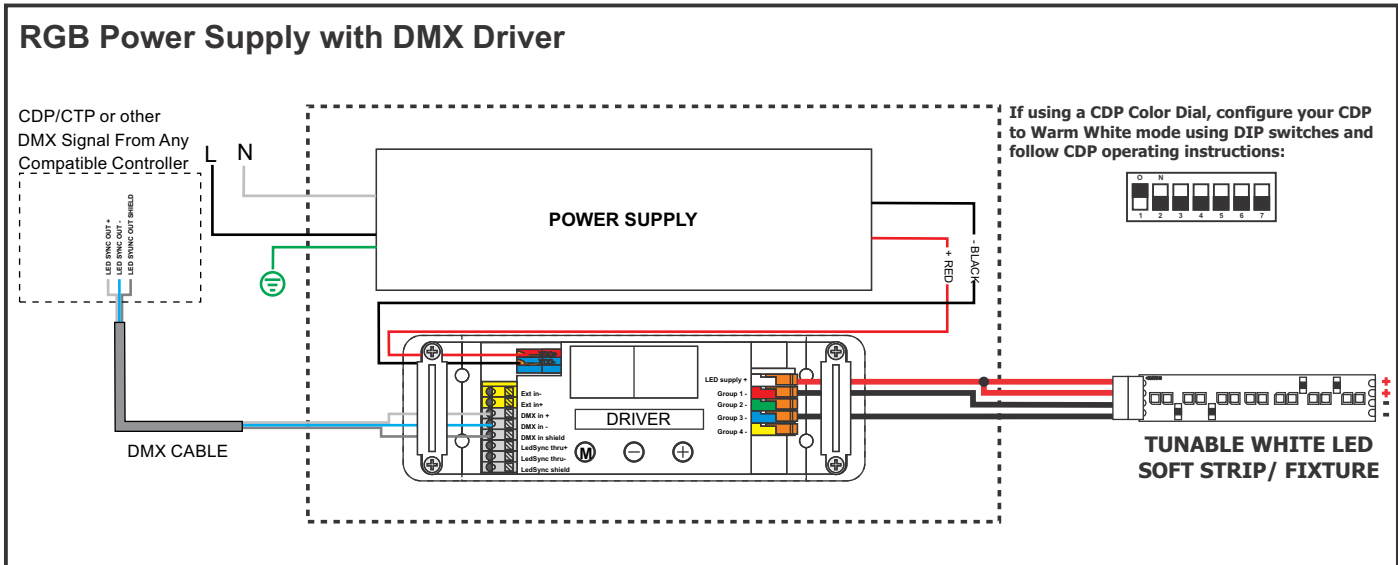
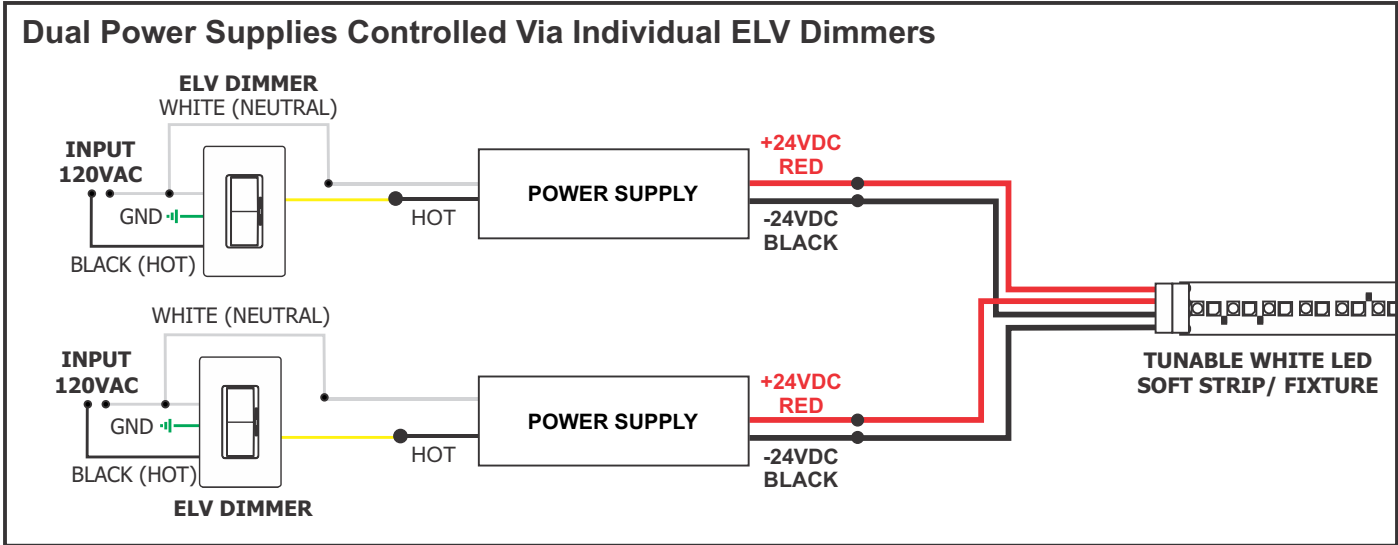


## RGB+W Configuration

Using LED Power Supply with RGB+W Soft Strip & CDP, CTP or CDMX Control

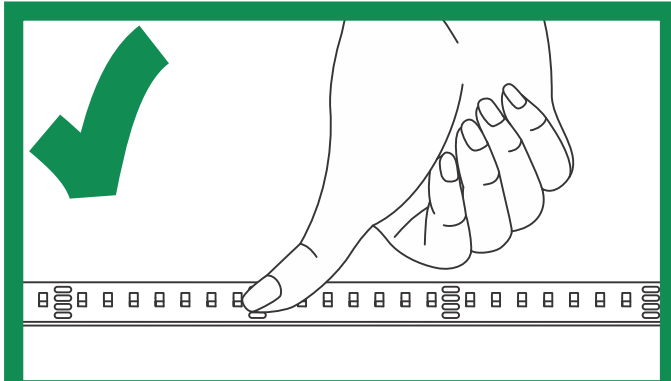
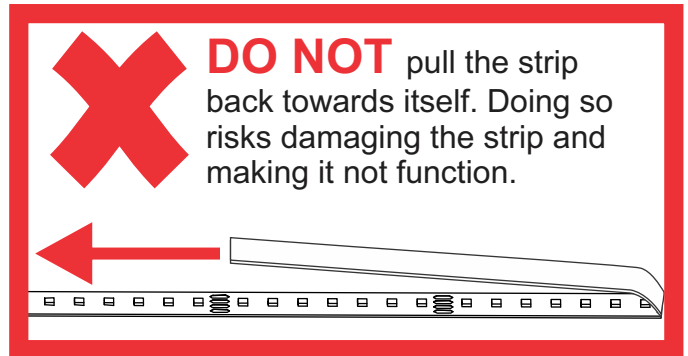
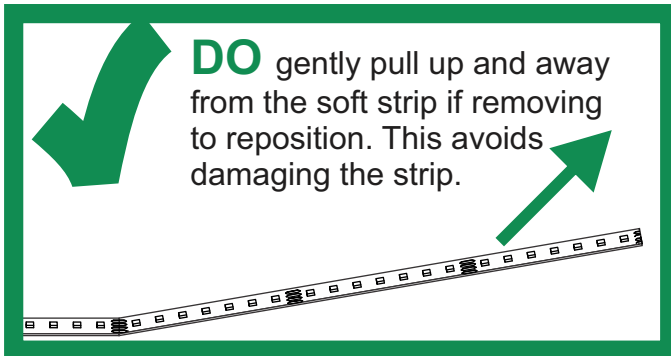


# Tunable White Configuration

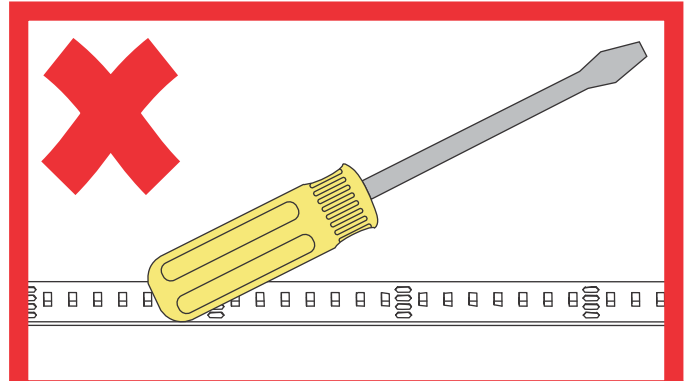




## IMPORTANT INFORMATION REGARDING INSTALLATION AND REWORK OF SOFT STRIP LED

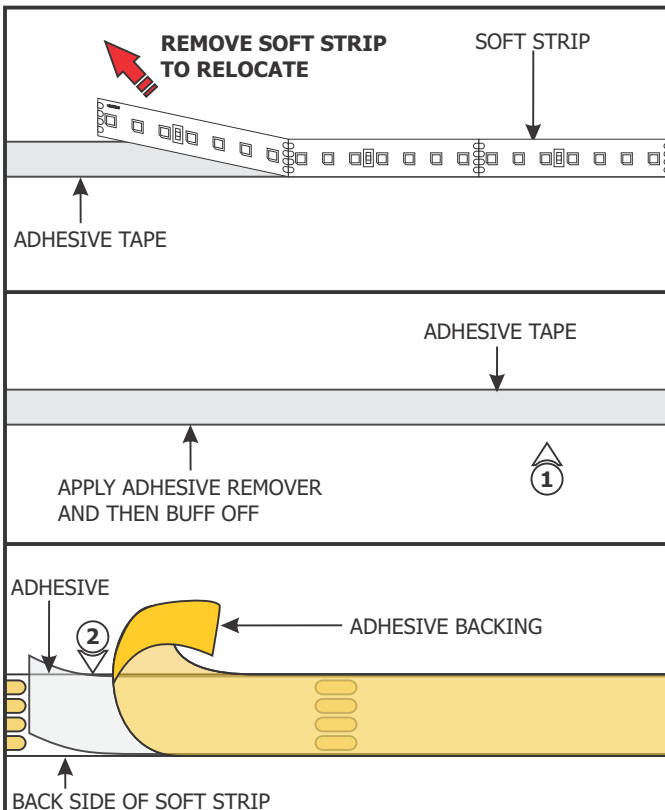


**DO** only ever use fingers to gently install soft strip to a surface **AFTER** cleaning the surface with alcohol.



**DO NOT** use any tool to install soft strip to a surface. This will damage the soft strip component.

### Relocating Soft Strip (Optional)



**NOTE:** If relocating the installed soft strip, make sure that the adhesive tape on back of the soft strip covers the entire strip. The adhesive tape isolates the strip from the installation surface. Damaged or inconsistent adhesive tape may cause the contacts on the back of the strip to come in contact with the conductive heat sink which will cause the strip to short and burn. Call Edge Lighting to get replacement adhesive tape and/or optional aluminum heat sink tape (SS-HR-F).

- 1:** To remove tape residue from back of the strip, apply WD-40, Goo Gone, or a mixture of warm water and lemon oil to the corner of a clean, dry towel. Gently buff the area containing the adhesive residue until it is completely removed.
- 2:** Gently remove a few inches from one side of the tape backing. Attach the adhesive tape to the back of the soft strip and apply moderate pressure to affix the tape. Continue this step a few inches at a time until the entire adhesive tape is attached to back of the soft strip.
- 3:** Refer to the steps 27 through 31 to reinstall the soft strip.