

Round or Square Type IC, Non-IC Wall Wash Housing with LED Lamp

E3_L_WN

1.2

ELEMENT
a brand of TECH LIGHTING™

LED - ROUND/SQUARE

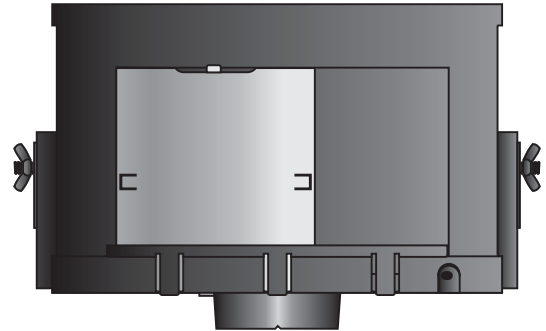
GENERAL PRODUCT INFORMATION:



This product is suitable for indoor locations.

This product can be dimmed with a standard electronic dimmer.

This instruction shows a typical installation.

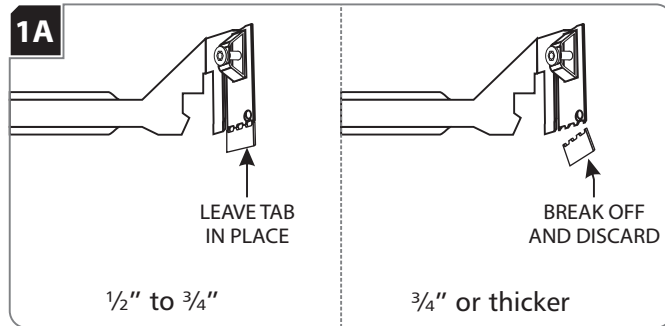


CAUTION - RISK OF FIRE

This product must be installed in accordance with the applicable installation code by a person familiar with the construction and operation of the product and the hazards involved.

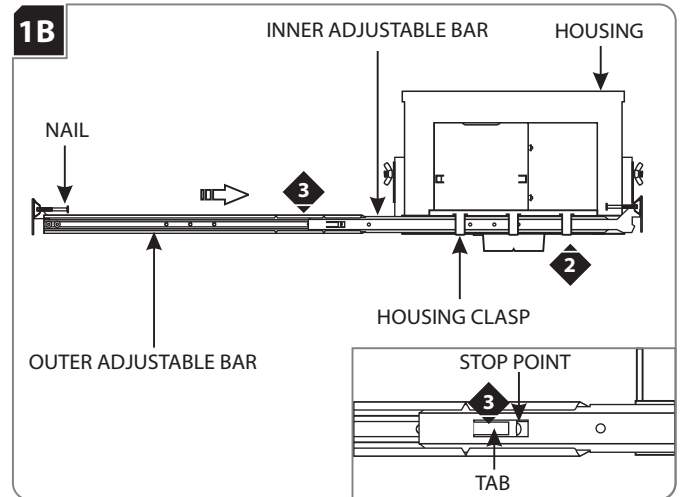
Use minimum 90°C supply conductors.

Install the Housing with Adjustable Bars

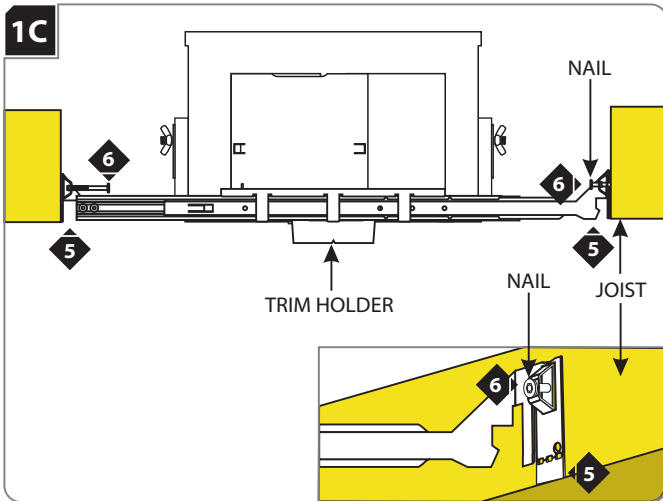


NOTE: Skip this section if installing the housing with butterfly brackets.

- 1 **Keep Tab for ceiling 1/2" to 3/4" thick.**
When using adjustable hanger bars with 1/2" to 3/4" thick ceilings, leave the tab of the hanger bars in place.
Break off Tab for ceiling 3/4" or thicker.
When using adjustable hanger bars with 3/4" or thicker ceilings, remove the tab by bending it at the perforation.

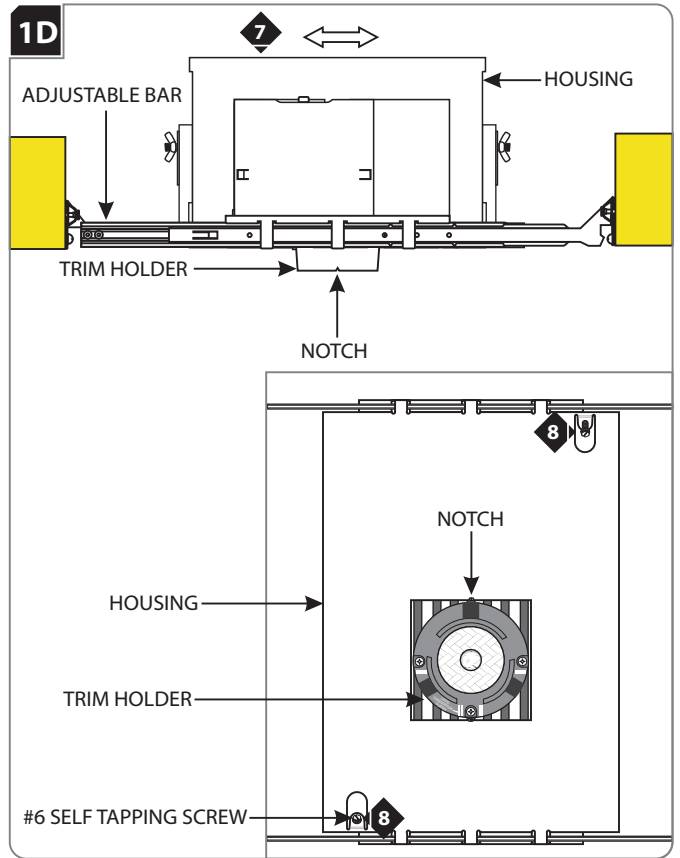


- 2 Slide the inner adjustable bar completely through the three housing clasps. Make sure the nail is on top.
- 3 Slide and push the outer adjustable bar completely onto the inner adjustable bar so that the tab clicks into place behind the stop point. This will prevent the adjustable bars from coming apart.
- 4 Repeat steps 2 & 3 for the other side of the housing.



NOTE: The adjustable bars can be mounted to joists that are spaced 16" - 24" apart.

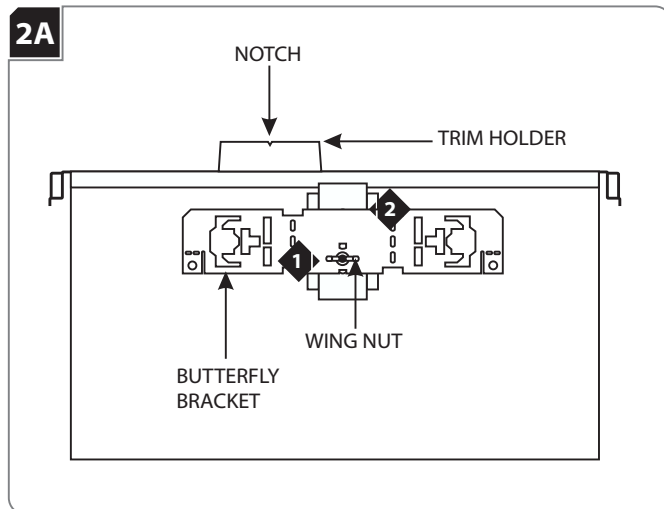
- 5 Align the bottom of the end plates with the bottom of the ceiling joists.
- 6 Level the adjustable bars and, with a hammer, tap the nails completely into the joists to secure the adjustable bars.



- 7 Adjust the trim holder position (horizontal position) by sliding the housing on adjustable bars.
- 8 When the desired location is achieved, tighten the two #6 self tapping screws to lock the housing onto the adjustable bars.

NOTE: Notches in trim holder can be used to align multiple housings using a laser or string.

Install the Housing with Butterfly Brackets

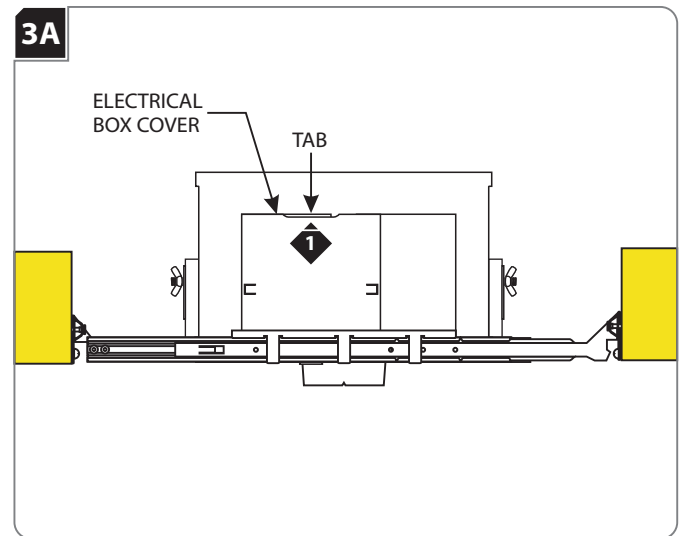


NOTE: Skip this section if installing the housing with adjustable bars.

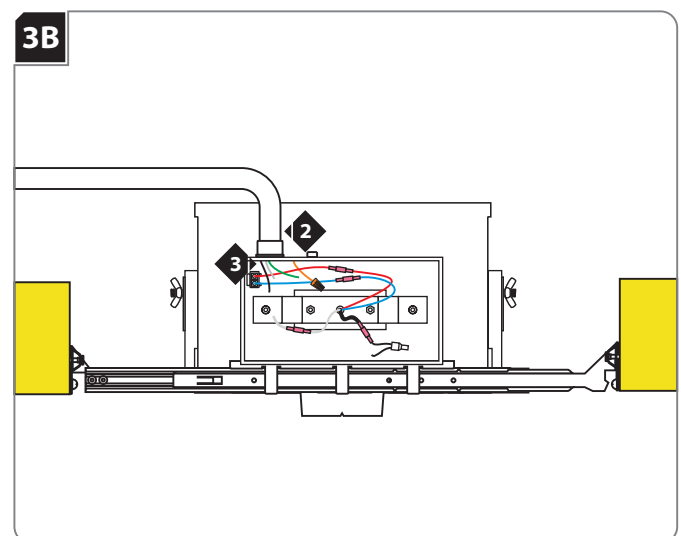
- 1 Slightly loosen the wing nut to slide the butterfly bracket up or down.
- 2 After achieving the proper location, tighten the wing nut to secure the butterfly bracket in place.
- 3 Repeat steps 1 and 2 on for the other butterfly bracket.
- 4 Utilize the butterfly brackets to install the housing in accordance with local electrical codes.

NOTE: Notches in trim holder can be used to align multiple housings using a laser or string.

Connect Power to the Housing



- 1 Push the tab on the housing electrical box up and remove the electrical box cover.

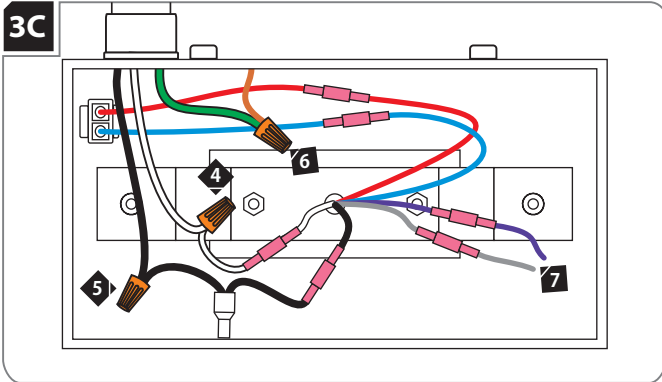


- 2 Install the conduit to the housing electrical box.
- 3 Run the power line wires into the housing electrical box.

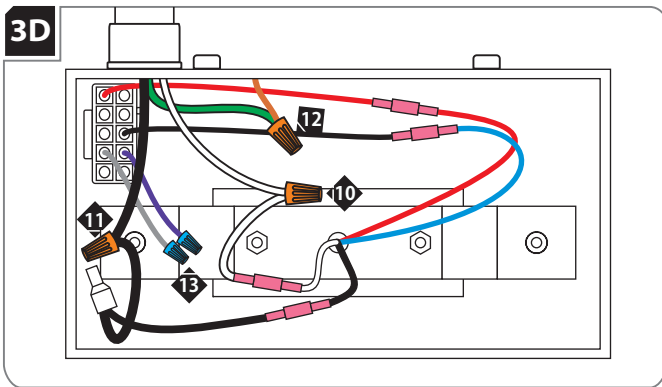
NOTE: When a fixture is installed in a location that requires servicing from below the ceiling through the fixture aperture, the branch circuit connections need to be able to be brought out through the aperture. To accomplish this, an NM type cable in conjunction with snap-in/push-in connectors must be used and a 12" service loop must be left available outside of the fixture housing wiring compartment to allow additional branch circuit wiring to be pulled through the snap-in/push-in connector and extended out through the aperture below ceiling level.

WARNING: RISK OF FIRE: When using the housing electrical box for power feed through, use **MAX** 4 - #12 AWG, or 6 - #14 AWG branch circuit wires.

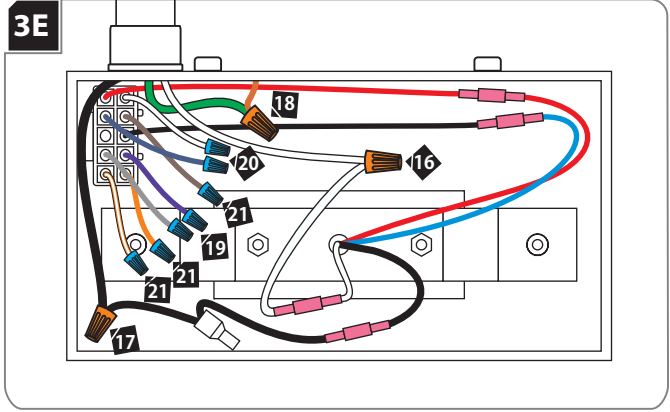
For Citizen and Xicato LED see section 3C
 For Lumenetix Warm Color Dimming LED see section 3D
 For Lumenetix Programmable White LED see section 3E



- 4 Connect the neutral power line wire to the white transformer wire with a wire nut.
- 5 Connect the hot power line wire to the black thermal protector wire with a wire nut.
- 6 Make sure that housing is grounded in accordance with local electrical codes.
- 7 For models with a 0-10V dimming driver, use the purple and gray wire to connect to a compatible dimmer.
- 8 Replace the electrical box cover. Make sure that the top edge of the cover snaps under the tab.
- 9 Skip to section 4.

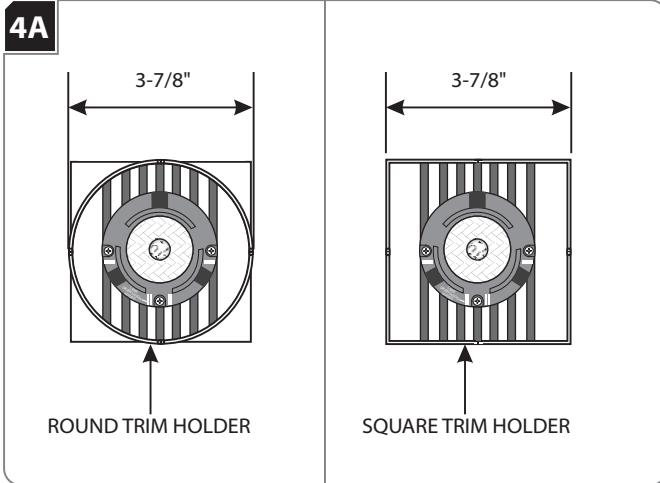


- 10 Connect the neutral power line wire to the white transformer wire with a wire nut.
- 11 Connect the hot power line wire to the black transformer wire with a wire nut.
- 12 Make sure that housing is grounded in accordance with local electrical codes.
- 13 For dimming, use the purple and gray wire to connect to a compatible dimmer.
- 14 Replace the electrical box cover. Make sure that the top edge of the cover snaps under the tab.
- 15 Skip to section 4.

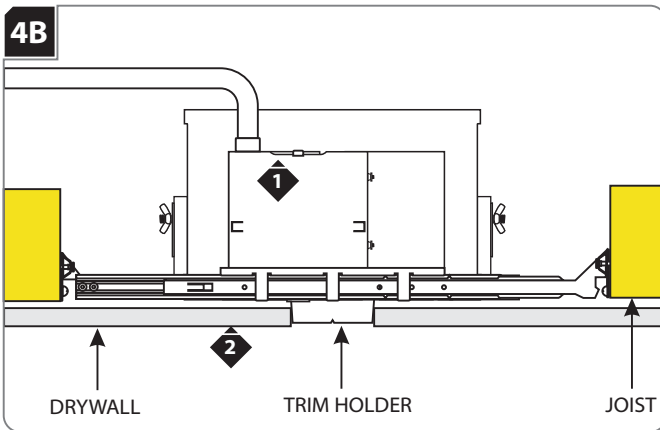


- 16 Connect the neutral power line wire to the white transformer wire with a wire nut.
 - 17 Connect the hot power line wire to the black transformer wire with a wire nut.
 - 18 Make sure that housing is grounded in accordance with local electrical codes.
 - 19 For dimming, use the purple and gray wires to connect to a compatible dimmer.
 - 20 For white CCT (Color Control), use the blue and white wires to connect to a compatible dimmer, see wiring diagram in Section 8.
- For remote CCT (Color Control), hue, and saturation control, use the LCT handheld unit (Light Commissioning Tool sold separately) and tie the blue and white wires together.
- 21 For DMX control wiring, use the following wires:
 - Orange/White (DMX +)
 - Orange (DMX -)
 - Brown (Gnd)
 - Tie the Purple, Grey, and White wires together.
 - 22 Replace the electrical box cover. Make sure that the top edge of the cover snaps under the tab.

Install Drywall



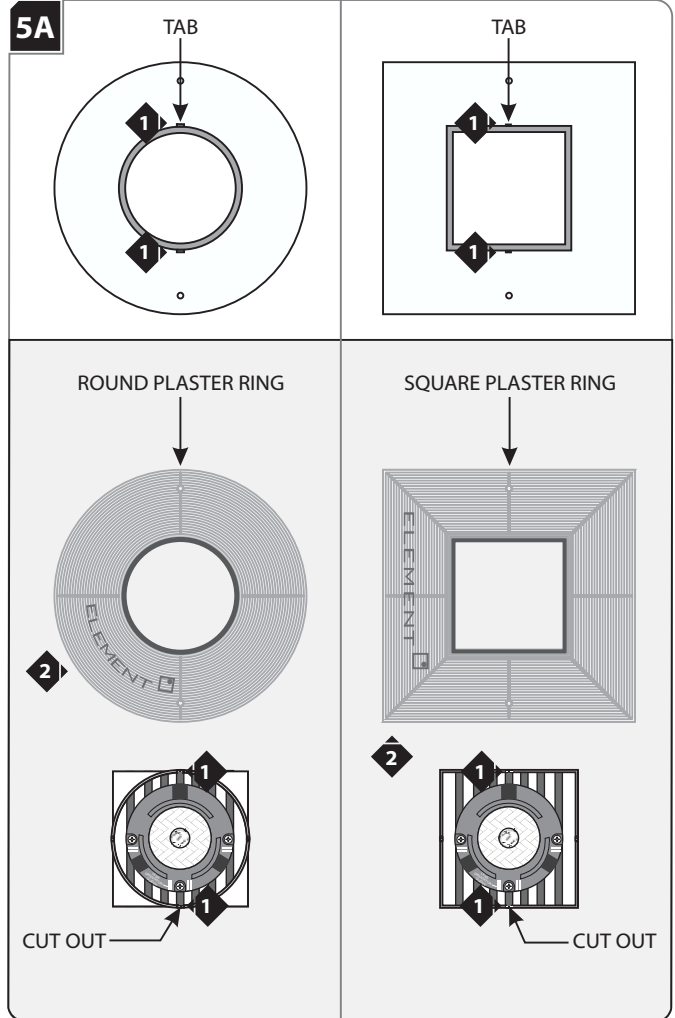
- 1** For round trims, mark a 3-7/8" diameter circle on drywall. Cut out the marked section.
For square trims, mark a 3-7/8" square on drywall. Cut out the marked section.



- 2** Align the cut out section of drywall with the trim holder and install drywall.

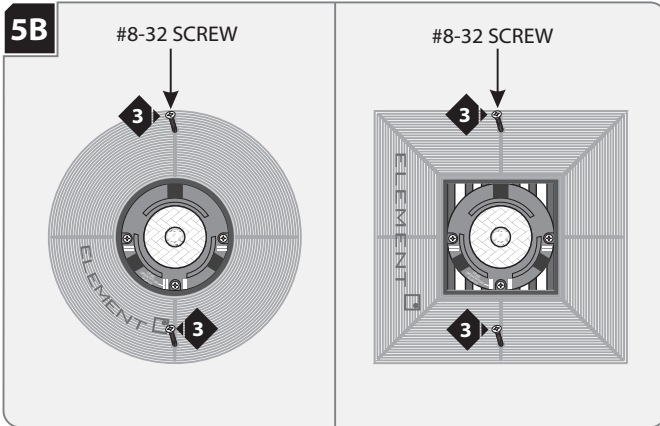
WARNING: Risk of Fire: The housing is not intended to be in contact with or covered with combustible materials and insulation. Do not install insulation within 3 inches of the housing sides or above in such a manner to entrap heat.

Install Plaster Ring (For Flangeless Versions)



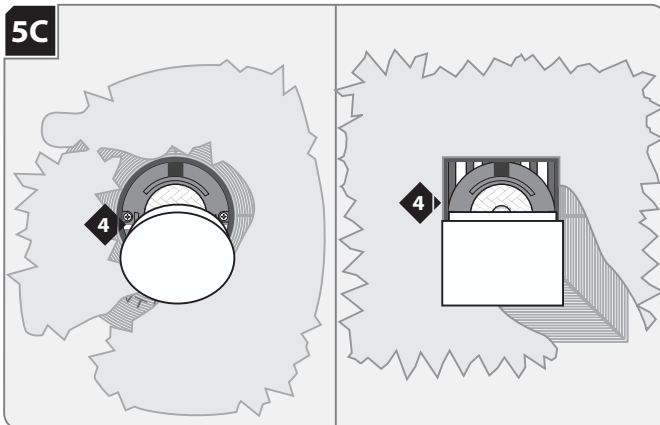
- 1** Line up the two tabs in back of the plaster ring with the two cut out sections of the trim holder inside edge.
2 Push the plaster ring tabs into the cut out sections of the trim holder edge.

Adjust the Lamp Housing

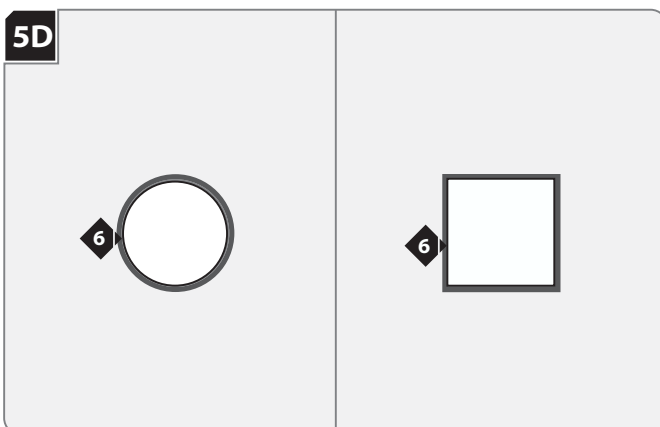


- 3 Secure the plaster ring in place with the two provided flat head #8-32 screws. Make sure that the screws penetrate through the drywall into the housing screw holes.

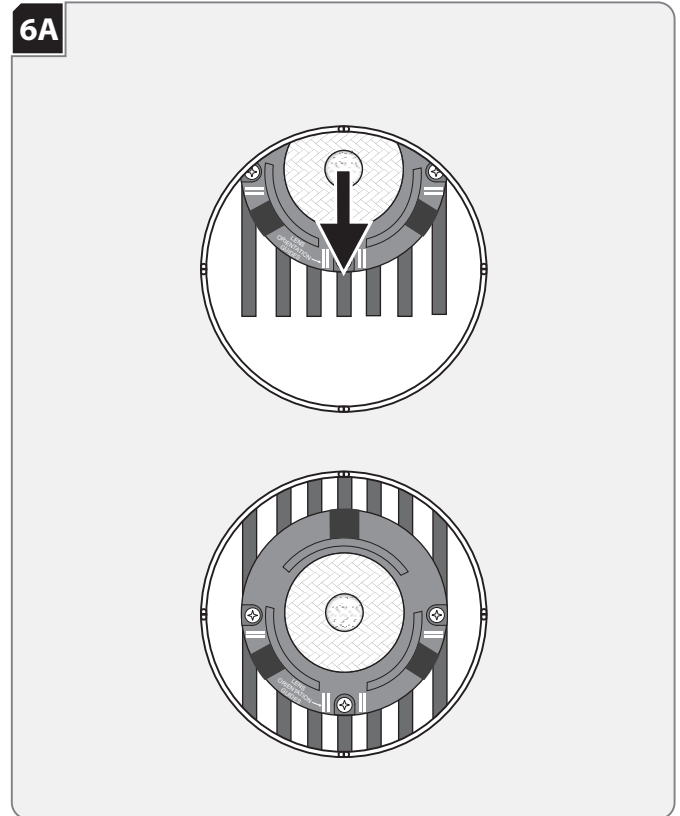
NOTE: Do not overtighten the screws! Overtightening may bend the plaster ring, causing the plaster surface to come away from the drywall.



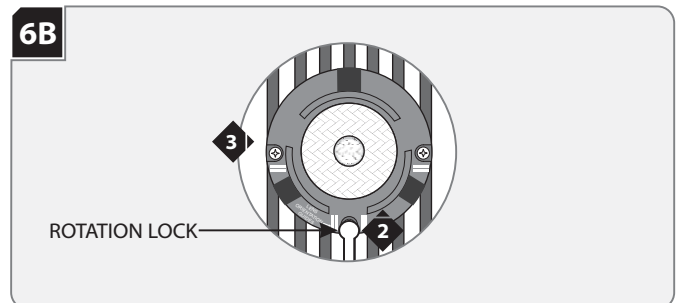
- 4 Plug the trim holder with the provided dust shield.
5 Properly plaster onto the plaster ring and drywall.



- 6 Finish around the trim to match drywall.



- 1 Ensure that the lens assembly is centered to the aperture by pulling the assembly to the center of the housing. When centered the locking pin will be engaged.

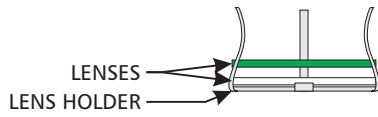


NOTE: Lamp housing can rotate 361° horizontally.

- 2 Pull the rotation lock down to unlock the lamp housing.
3 Rotate the lamp housing horizontally. When the desired position is achieved push the rotation lock up to lock the lamp housing in place.

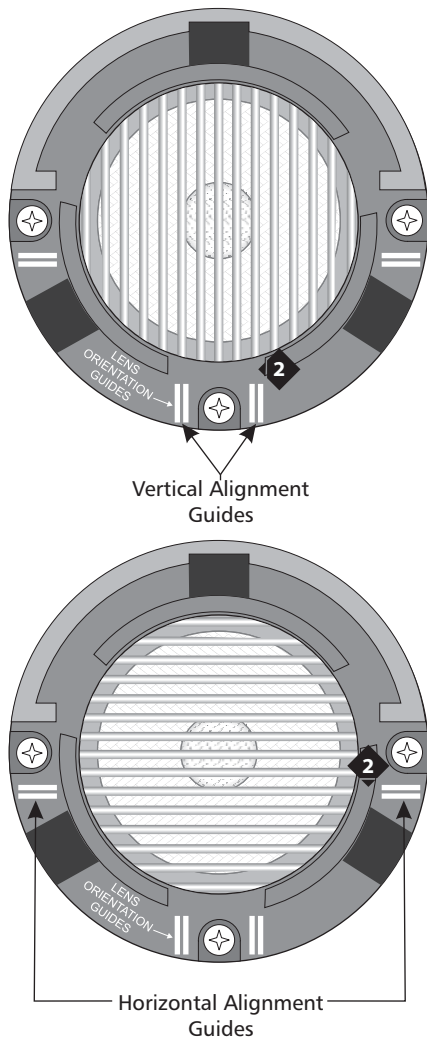
Install the Lenses (Optional)

7A



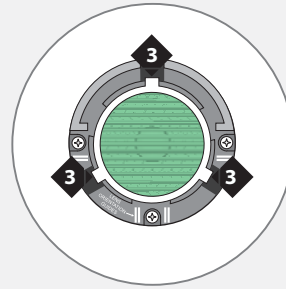
- 1 Place lenses (max. 2, optional) inside the lens holder.

7B



- 2 Use the lens orientation guides to align linear spread lenses vertically or horizontally.

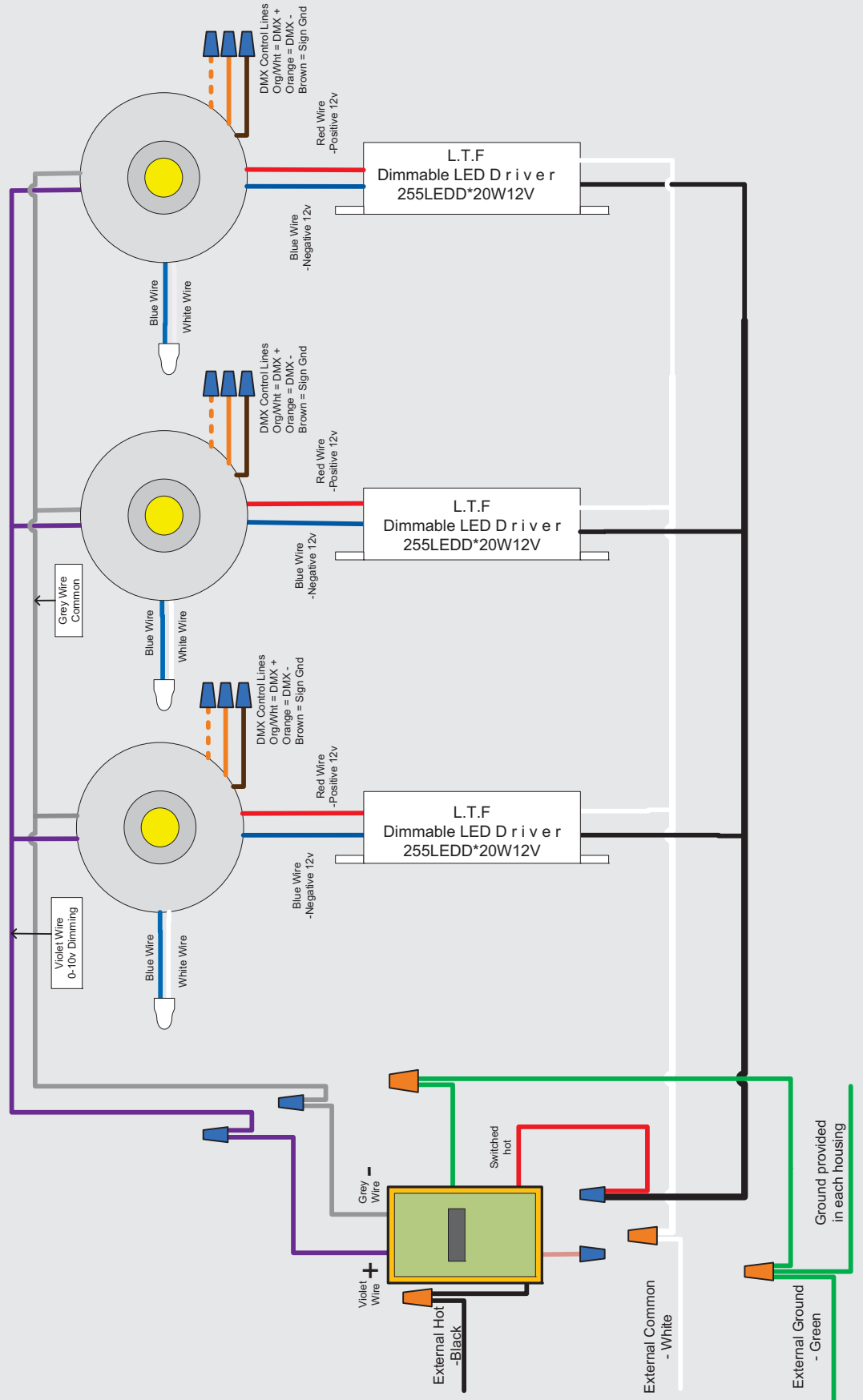
7C



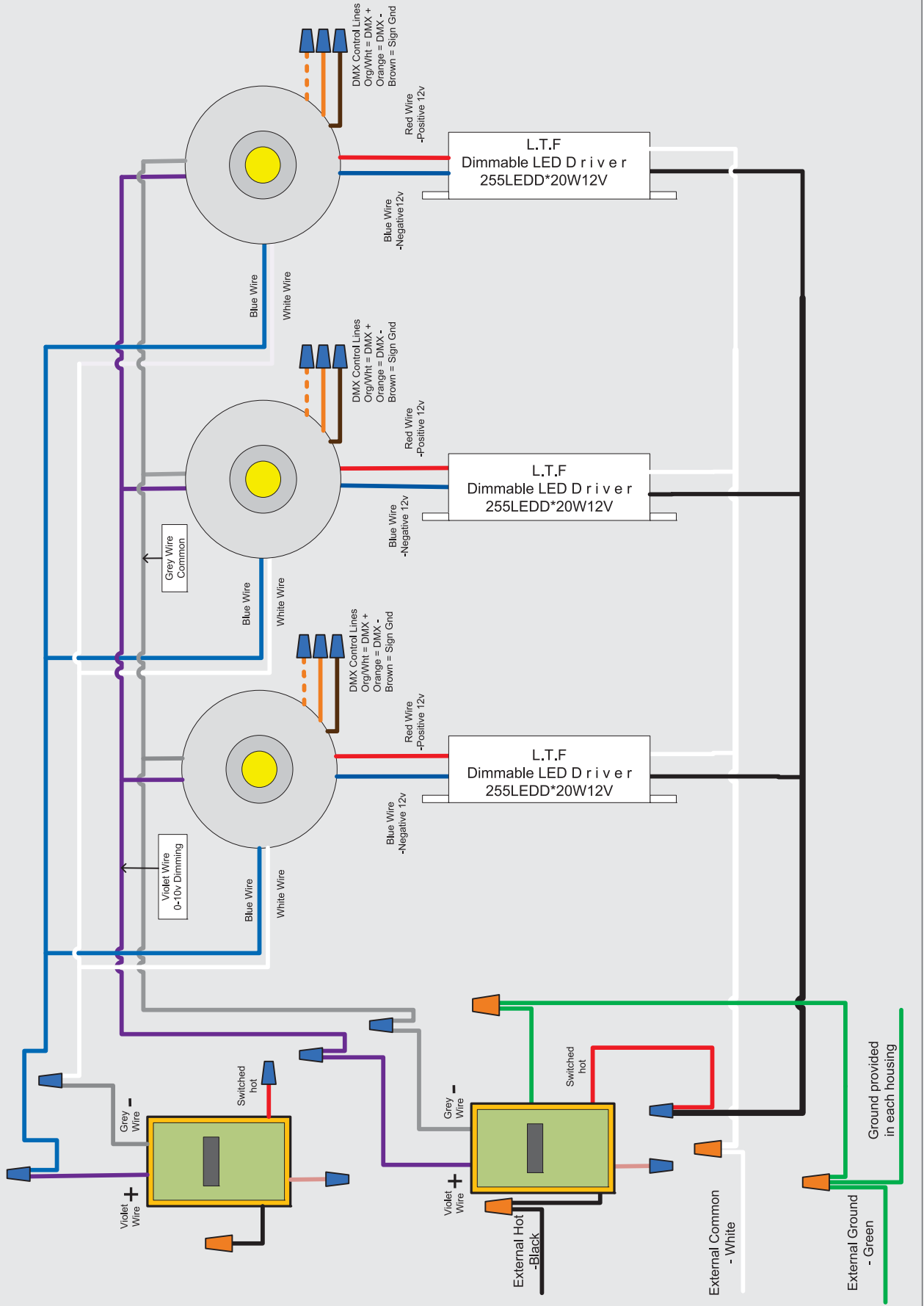
- 3 Line up the legs of the lens holder with the notches on the lamp holder and push the lens holder on.

8A

Element 3" LED – Lumenetix – Warm Dim & Programmable White for single 0-10v Dimmer



Element 3" LED Lumenetix Programmable White for Dual 0-10v Dimmers



Notes

Notes

SAVE THESE INSTRUCTIONS!

ELEMENT
a brand of **TECH LIGHTING**

7400 Linder Ave.
Skokie, IL 60077
847.410.4400

www.element-lighting.com

© 2016 Tech Lighting, L.L.C. All rights reserved. The "Element" graphic is a registered trademark of Element. Element reserves the right to change specifications for product improvements without notification.