

# Multiples

EM\_ 1.1

## ELEMENT

by Tech Lighting®

### GENERAL PRODUCT INFORMATION:

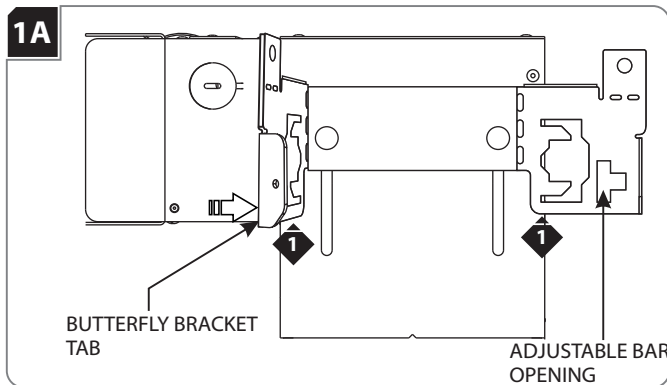
This product is suitable for indoor locations.

This product can be dimmed with a standard electronic dimmer or a 0-10V dimmer depending on the wiring configuration.

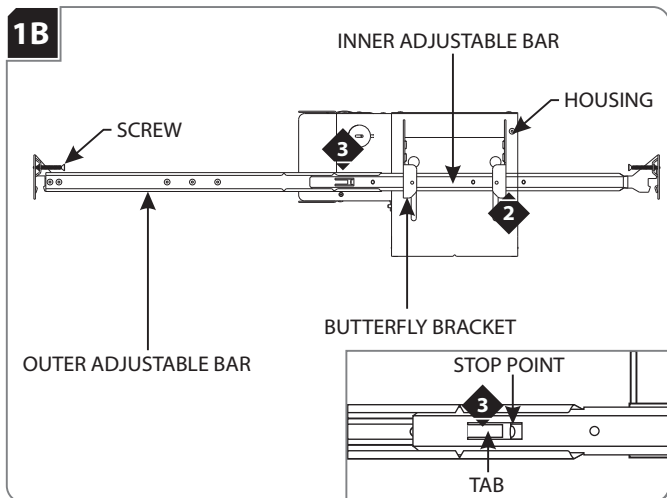
This instruction shows a typical installation.

### Install 1X1/1X2/1X3/1X4 Housings

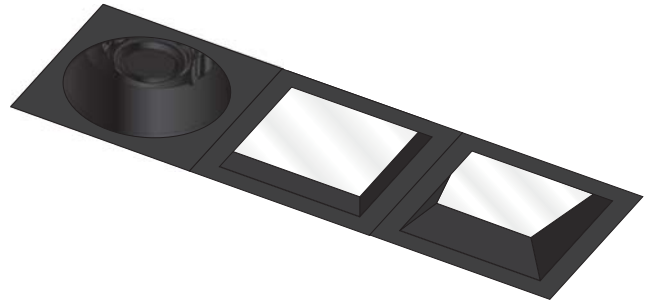
**NOTE:** For 2X2 models, skip to section 2.



**1** Rotate the tabs on the butterfly brackets 90° so that the adjustable bar openings are aligned.



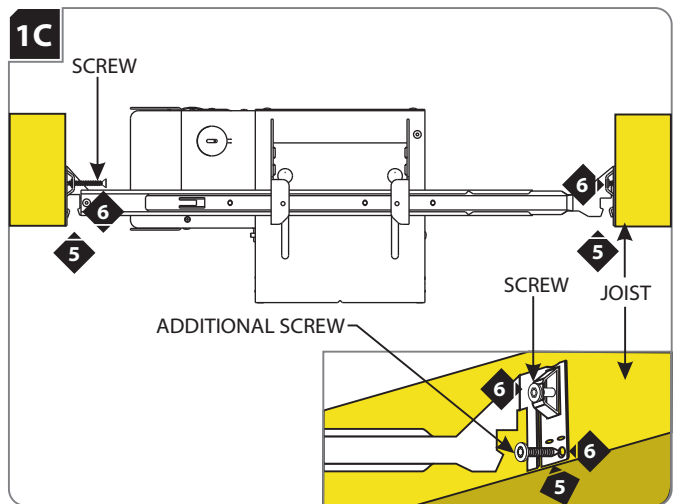
- 2** Slide the inner adjustable bar completely through the adjustable bar openings in the butterfly brackets. Make sure the screw is on top.
- 3** Slide and push the outer adjustable bar completely onto the inner adjustable bar so that the tab clicks into place behind the stop point. This will prevent the adjustable bars from coming apart.
- 4** Repeat steps 1 through 3 for the other side of the housing.



#### CAUTION - RISK OF FIRE

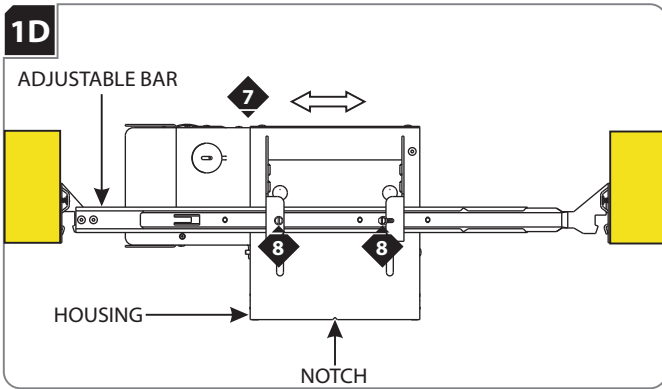
This product must be installed in accordance with the applicable installation code by a person familiar with the construction and operation of the product and the hazards involved.

Use minimum 90°C supply conductors.



**NOTE:** The adjustable bars can be mounted to joists that are spaced 16" - 24" apart.

- 5** Align the bottom of the adjustable bars with the bottom of the ceiling joists.
- 6** Level the adjustable bars and tighten the screws completely into the joists and drive an additional screw or nail through the provided hole to secure the adjustable bars in place.



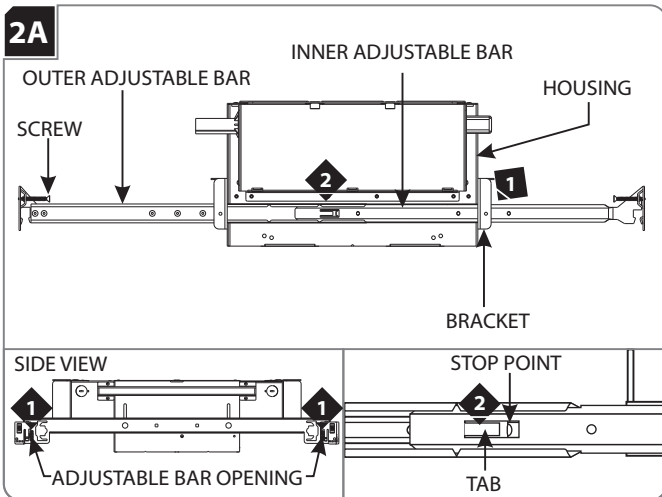
**NOTE:** The electrical box cover must be accessible for wiring the fixture. If the housing must be positioned so that the electrical box is not accessible, skip to section 3 to wire the fixture and revert back to this step to complete adjustments.

- 7 Adjust the housing position (horizontal position) by sliding the housing on adjustable bars.
- 8 When the desired location is achieved install and tighten the two #6 screws to lock the butterfly brackets onto the adjustable bars.

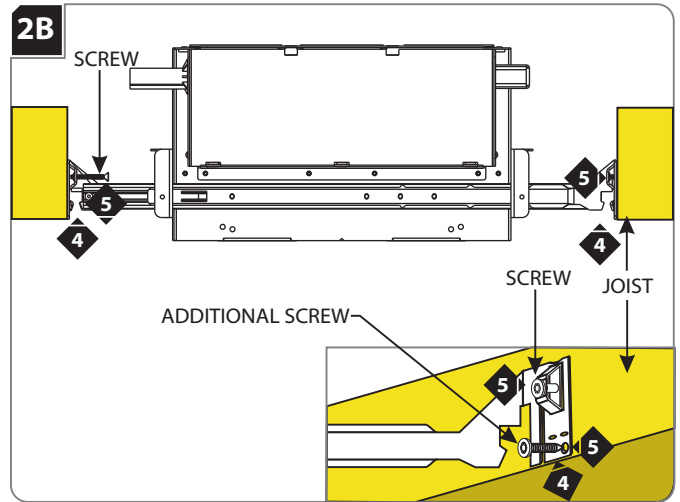
**NOTE:** Notches in the housing can be used to align multiple housings using a laser or string.

**NOTE:** Height adjustment to the housing will occur later in the installation.

## Install the 2X2 Housing

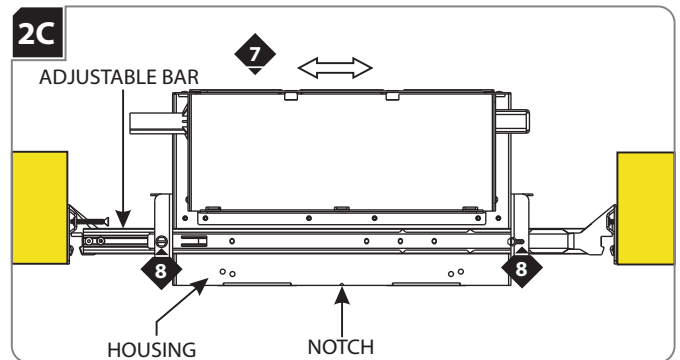


- 1 Slide the inner adjustable bar completely through the adjustable bar openings in the brackets. Make sure the screw is on top.
- 2 Slide and push the outer adjustable bar completely onto the inner adjustable bar so that the tab clicks into place behind the stop point. This will prevent the adjustable bars from coming apart.
- 3 Repeat steps 1 through 3 for the other side of the housing.



**NOTE:** The adjustable bars can be mounted to joists that are spaced 16" - 24" apart.

- 4 Align the bottom of the adjustable bars with the bottom of the ceiling joists.
- 5 Level the adjustable bars and tighten the screws completely into the joists and drive an additional screw or nail through the provided hole to secure the adjustable bars in place.

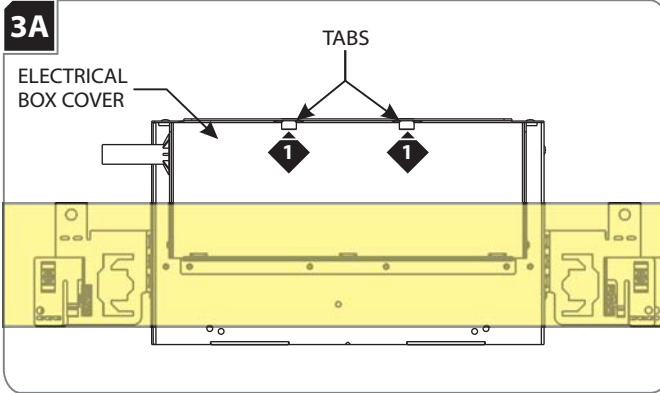


- 7 Adjust the housing position (horizontal position) by sliding the housing on adjustable bars.
- 8 When the desired location is achieved install and tighten the two #6 screws to lock the butterfly brackets onto the adjustable bars.

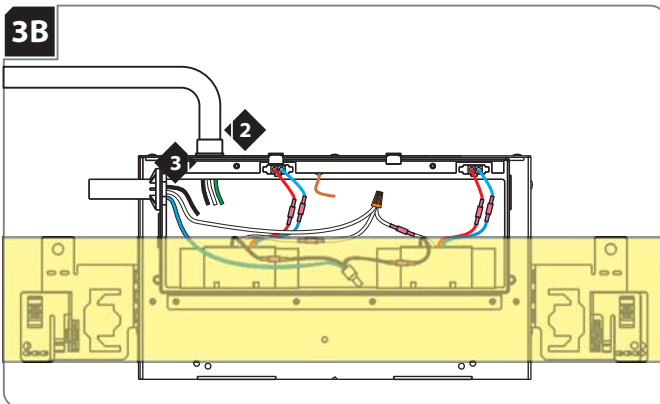
**NOTE:** Notches in the housing can be used to align multiple housings using a laser or string.

**NOTE:** Height adjustment to the housing will occur later in the installation.

## Connect Power to the Housing



- 1 Push up on the tabs on the electrical box and remove the electrical box cover.

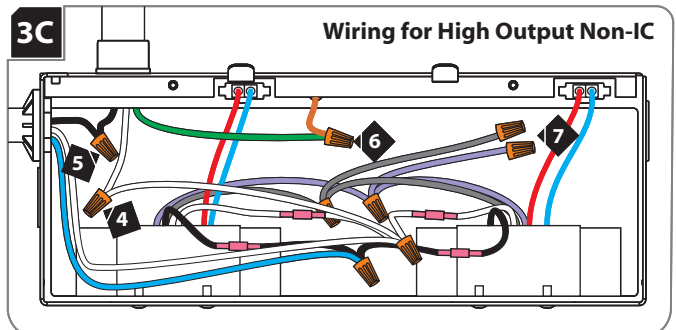


- 2 Install the conduit to the housing electrical box.
- 3 Run the power line wires into the housing electrical box.

**WARNING:** For 2X2 models, only make external connections to the designated junction box. Follow the safety labels on the junction boxes for direction.

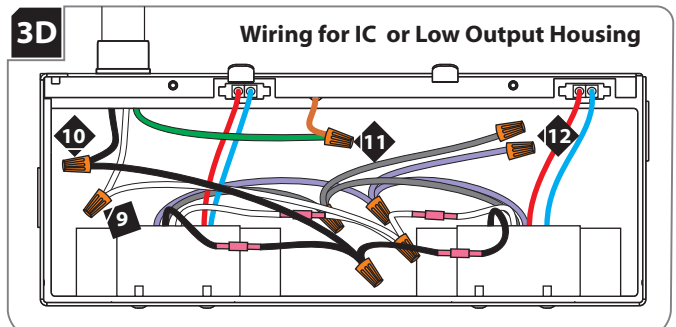
**Wiring for Non-IC Housing - Section 3C**  
**Wiring for IC Housing - Section 3D**

**WARNING: RISK OF FIRE:** When using the housing electrical box for power feed through, for **NON-IC** housings use **MAX** 4 - #12 AWG, or 6 - #14 AWG branch circuit conductors suitable for 90c.



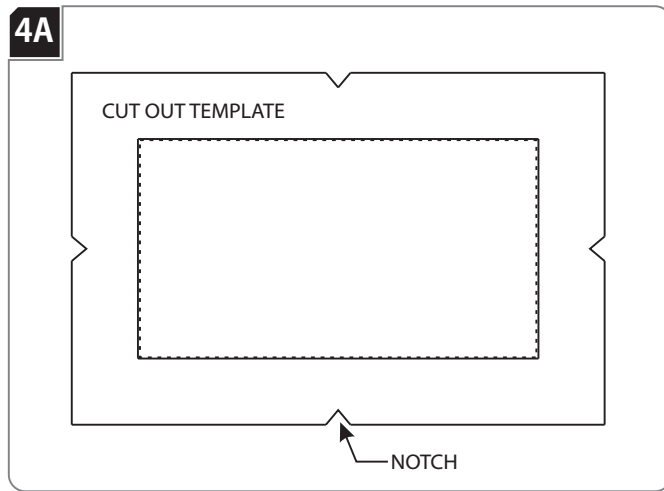
- 4 Connect the neutral power line wire to the white fixture lead wire with a wire nut.
- 5 Connect the hot power line wire to the black thermal protector wire with a wire nut.
- 6 Make sure that housing is grounded in accordance with local electrical codes.
- 7 Properly connect the gray and purple dimming wires when applicable.
- 8 Replace the electrical box cover. Make sure that the top edge of the cover snaps under the tab.

**WARNING: RISK OF FIRE:** When using the housing electrical box for power feed through, for **IC** housings use **MAX** 2 - #12 AWG, or 2 - #14 AWG branch circuit conductors suitable for 90c.

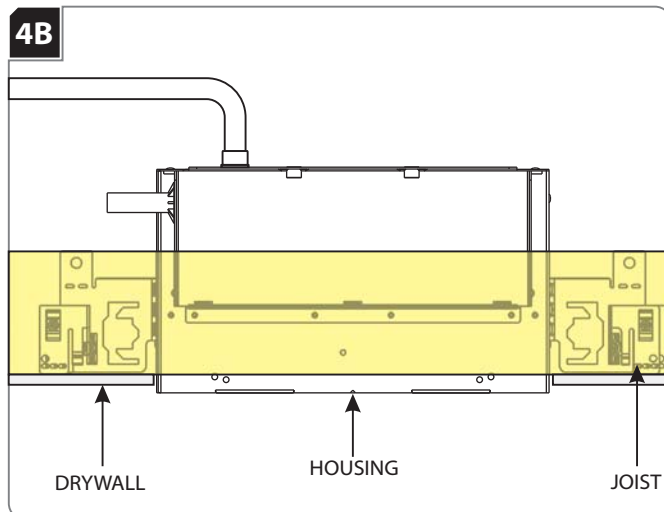


- 9 Connect the neutral power line wire to the white fixture lead wire with a wire nut.
- 10 Connect the hot power line wire to the black fixture lead wire with a wire nut.
- 11 Make sure that housing is grounded in accordance with local electrical codes.
- 12 Properly connect the gray and purple dimming wires when applicable.
- 13 Replace the electrical box cover. Make sure that the top edge of the cover snaps under the tab.

## Install Drywall



- 1 Remove the backing of the tape and adhere the cut out template at the desired location. The notches on the template may be used for alignment.
- 2 Mark or cut the drywall using the template, then remove it from the ceiling and dispose.



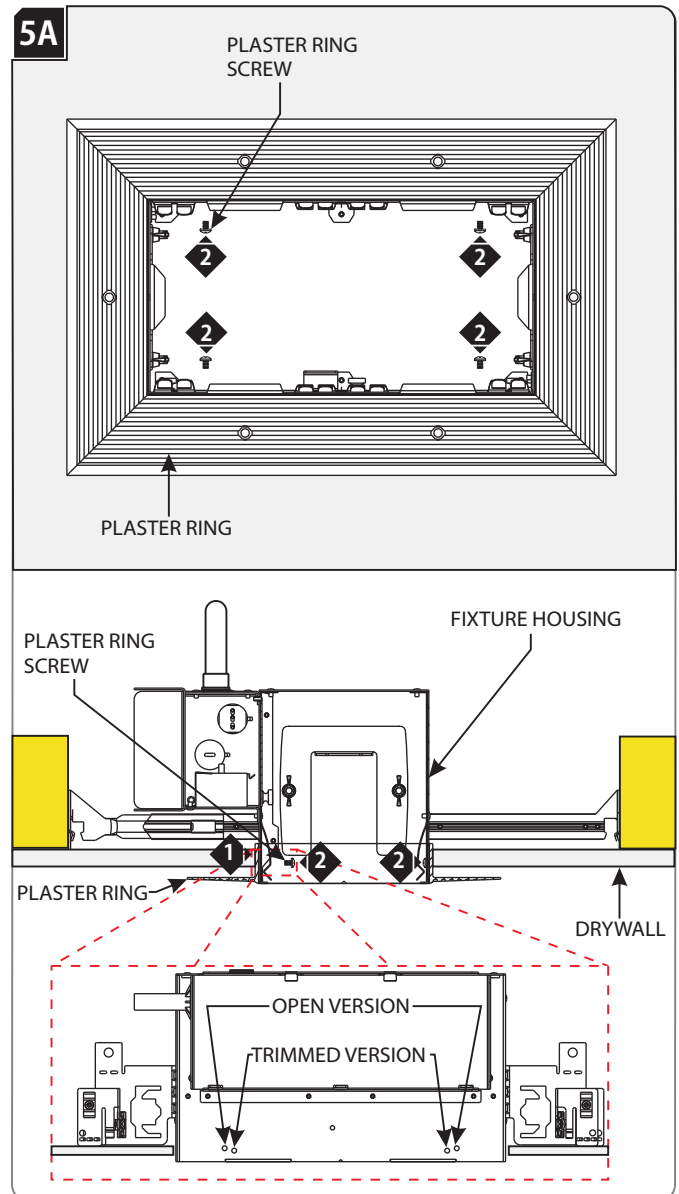
- 2 Align the cut out section of drywall with the housing and install drywall.

**WARNING: Risk of Fire:** Non-IC housings are not intended to be in contact with or covered with combustible materials and insulation. Do not install insulation within 3 inches of the housing sides or above in such a manner to entrap heat.

For **FLANGELESS** versions, go to section 5.

For **FLANGED** versions, go to section 6.

## Install Plaster Ring (For Flangeless Versions)



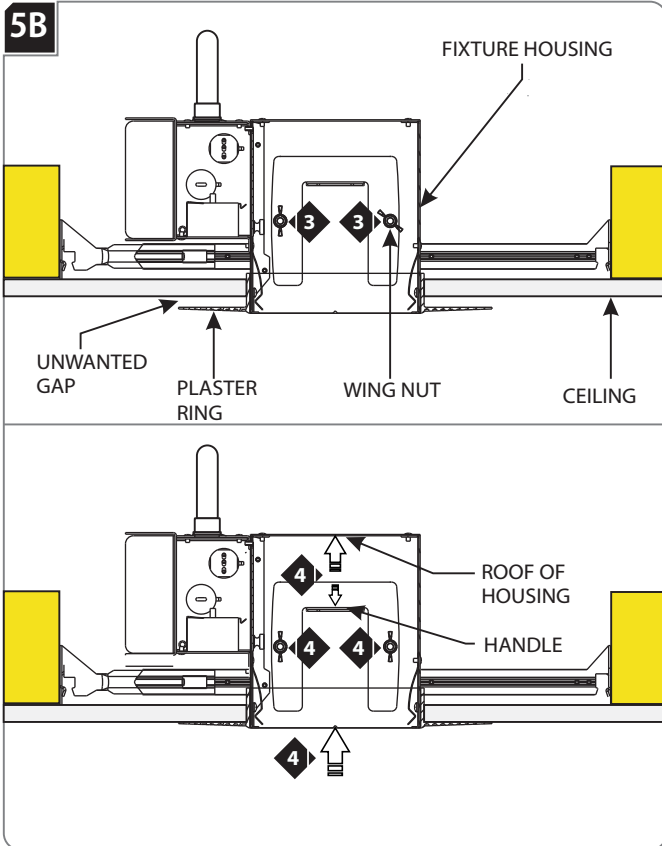
- 1 Insert the plaster ring into the cut out and onto the fixture housing.
- 2 Align the holes of the plaster ring with the holes in the housing and secure the plate in place with the plaster ring screws.

**For OPEN versions, use the outer (higher) holes in the housing.**

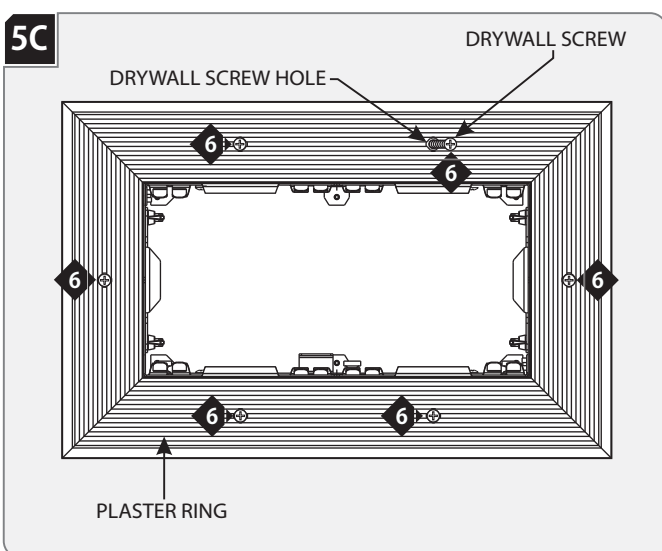
**For TRIMMED versions, use the inner (lower) holes in the**

**NOTE:** If the plaster ring holes cannot match with the holes in the housing because of the housing being recessed into the ceiling, see the following steps to adjust the height of the housing in order to install the plaster ring screws.

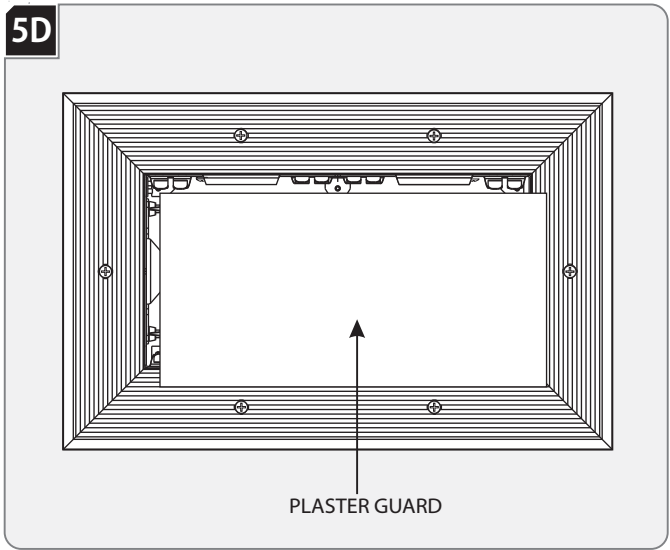
**NOTE:** The plaster ring will not lay flush onto the ceiling at this point, adjustments to the housing height are needed (see next step).



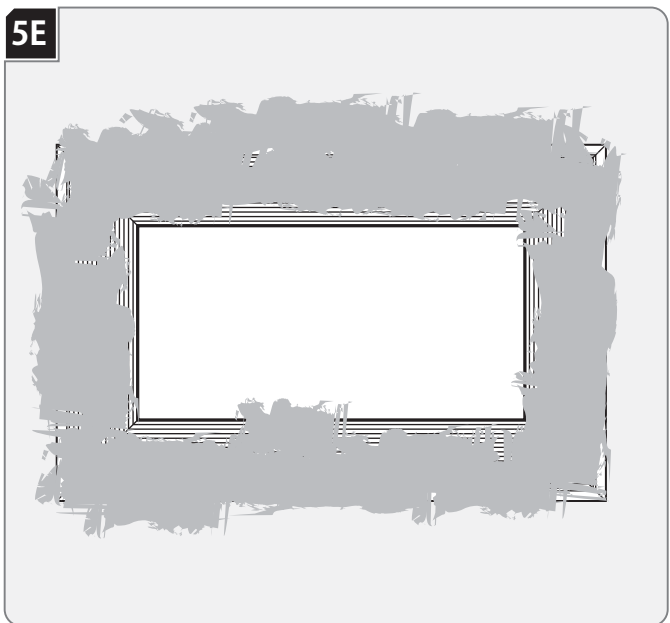
- 3 Adjustment to the fixture housing is needed for the plaster ring to be flush with the ceiling. Reach inside the housing and loosen the two wing nuts on each butterfly bracket.
- 4 While using the handle inside the housing for leverage, apply upward pressure to the housing by pushing up on the roof of the housing and adjust the fixture placement until the plaster ring is flush to the ceiling and tighten all the wing nuts.
- 5 Using a wrench, snug the wing nuts. **CAUTION:** do not over tighten; this will result in stripped threads.



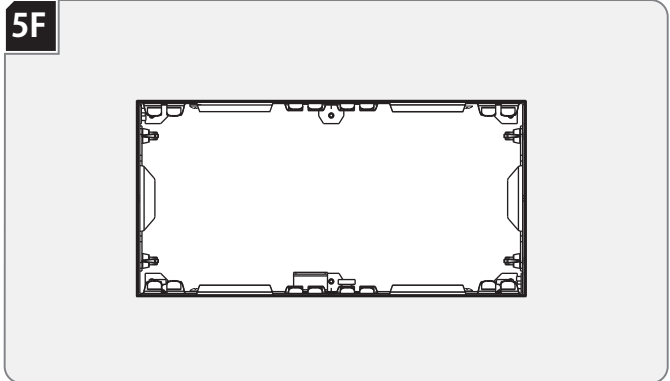
- 6 Secure the plaster ring to the ceiling using the provided drywall screw holes.



- 7 Install the plaster guard onto the housing with the provided double sided tape.

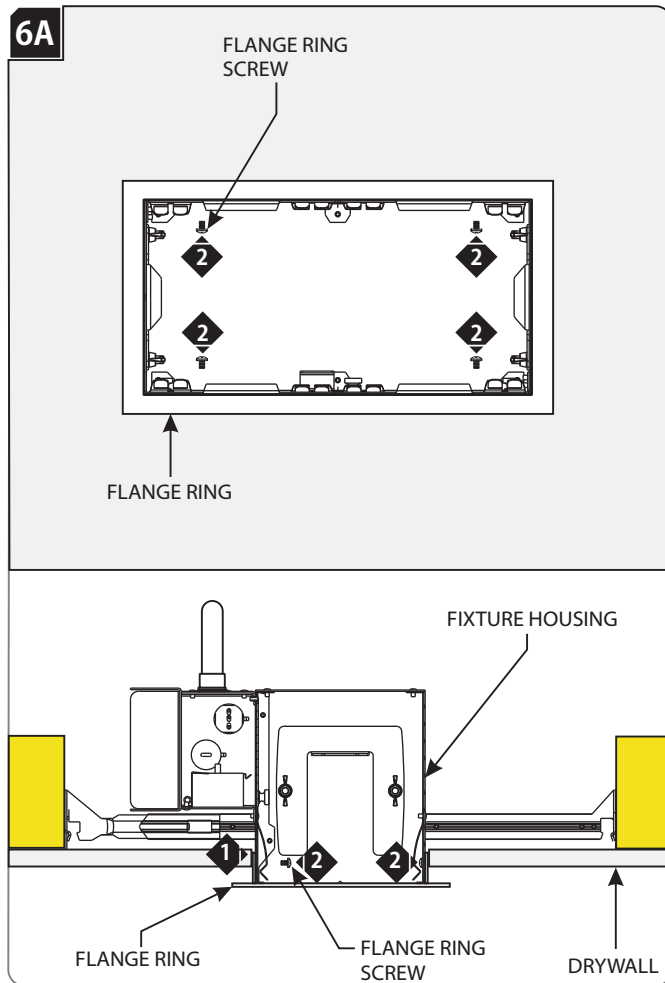


- 8 Properly plaster onto the plaster plate and drywall.



- 9 Finish around the collar to match drywall and remove the plaster guard.
- 10 Skip to section 7.

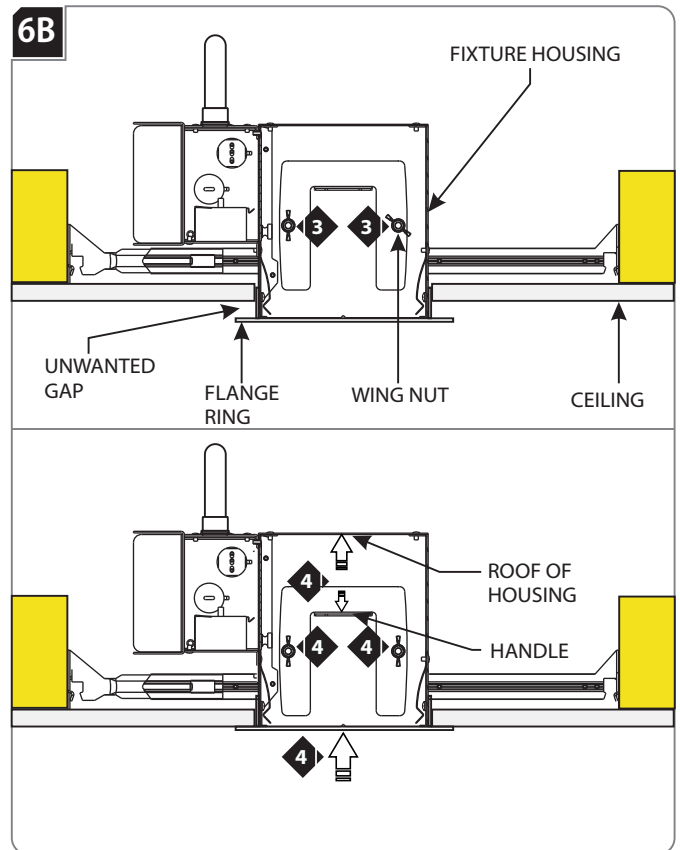
## Install Flange Ring (For Flanged Versions)



- 1 Insert the flange ring into the cut out and onto the fixture housing.
- 2 Align the holes the flange ring with the holes in the housing and secure the plate in place with the plaster ring screws.

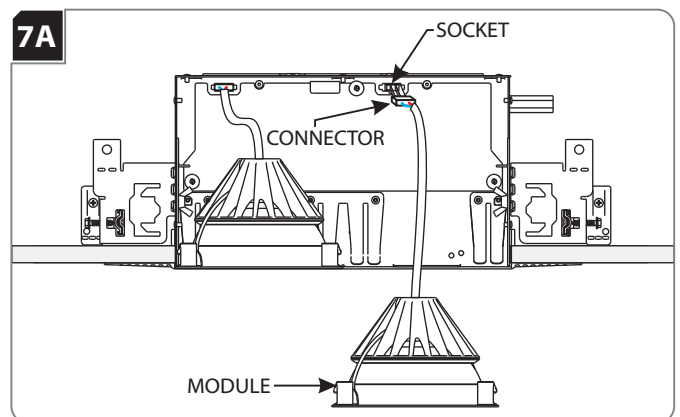
**NOTE:** If the flange ring holes cannot match with the holes in the housing because of the housing being too recessed into the ceiling, see the following steps to adjust the height of the housing in order to install the flange ring screws.

**NOTE:** The flange ring will not lay flush onto the ceiling at this point, adjustments to the housing height may be needed (see next step).

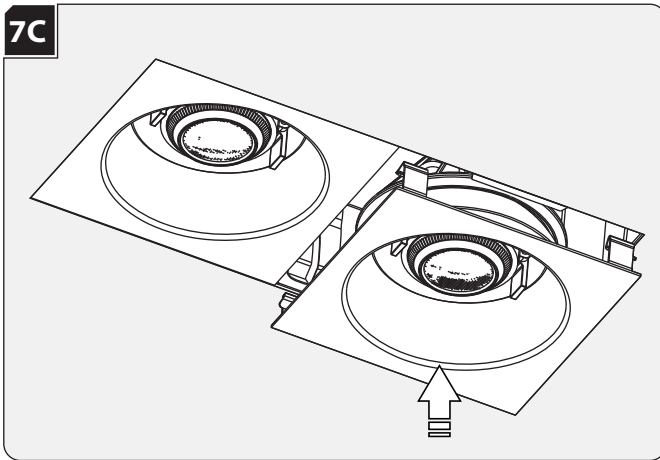


- 3 Adjustment to the fixture housing is needed for the flange ring to be flush with the ceiling. Reach inside the housing and loosen the two wing nuts on each butterfly bracket.
- 4 While using the handle inside the housing for leverage, apply upward pressure to the housing by pushing up on the roof of the housing and adjust the fixture placement until the plaster ring is flush to the ceiling and tighten all the wing nuts.
- 5 Using a wrench, snug the wing nuts and 1/8th of a turn.

## Install the Module

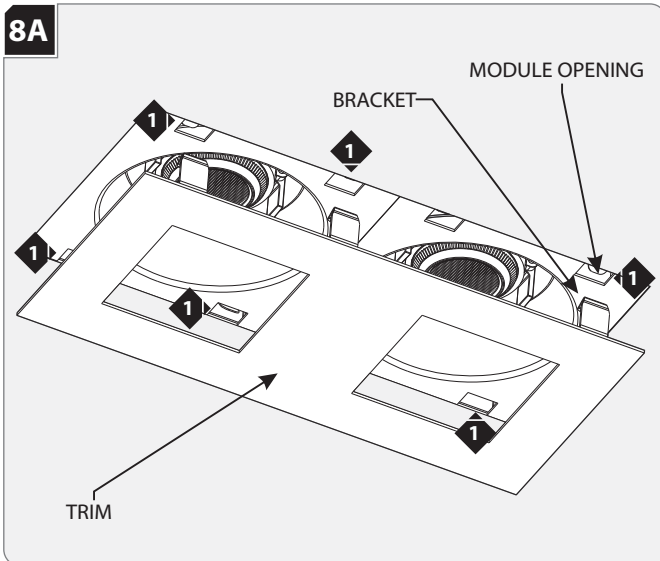


- 1 Push the module connector(s) into the electrical box socket(s) located inside the fixture housing.

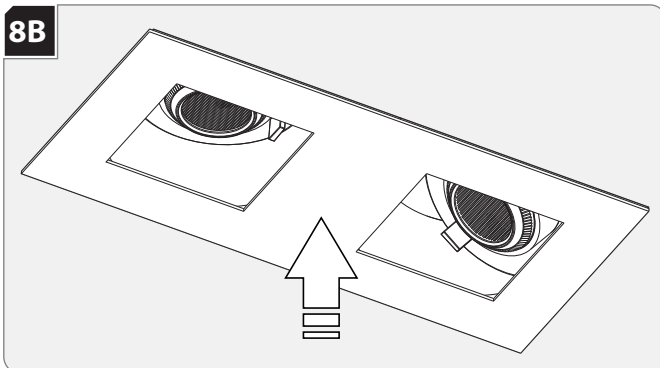
**7C**

- Align the spring clips on the module to the brackets inside the fixture housing and push the module completely in place.

### Install the Trim (Trimmed Version, Adjustable Modules Only)

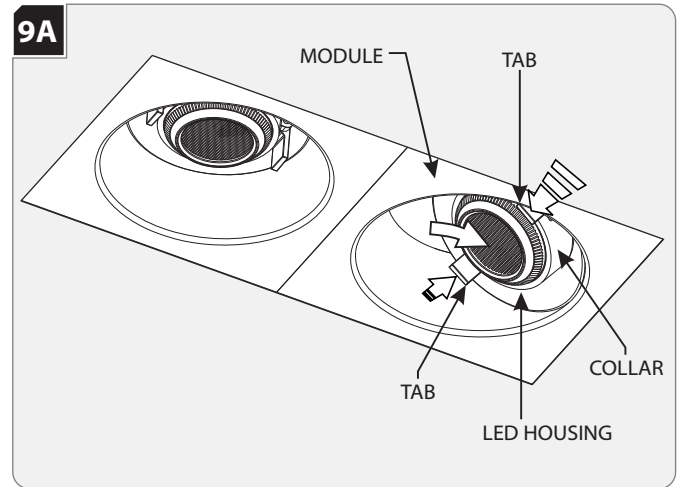
**8A**

- Align the brackets on the trim with the openings in the module(s).

**8B**

- Gently push the trim into the lamp housing so all the brackets snap into place.

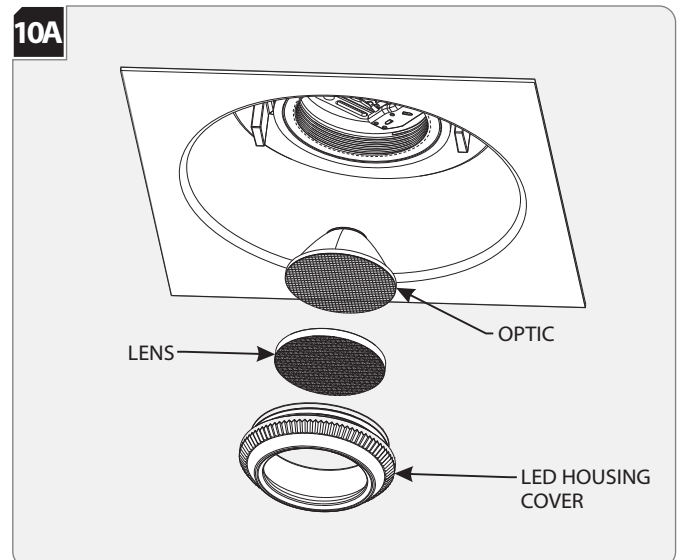
### Adjust the Module

**9A**

**WARNING:** Always squeeze the two tabs when adjusting the LED housing. Failure to do so will damage the finish.

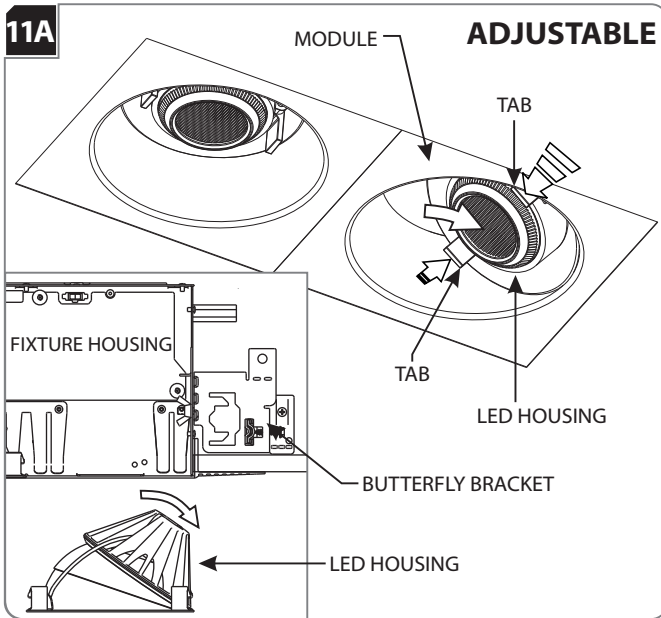
- Squeeze the LED housing tabs and rotate the LED housing to the desired position.
- Rotate the collar to move the tab locations if necessary.

### Optics and Lenses(Adjustable Modules Only)

**10A**

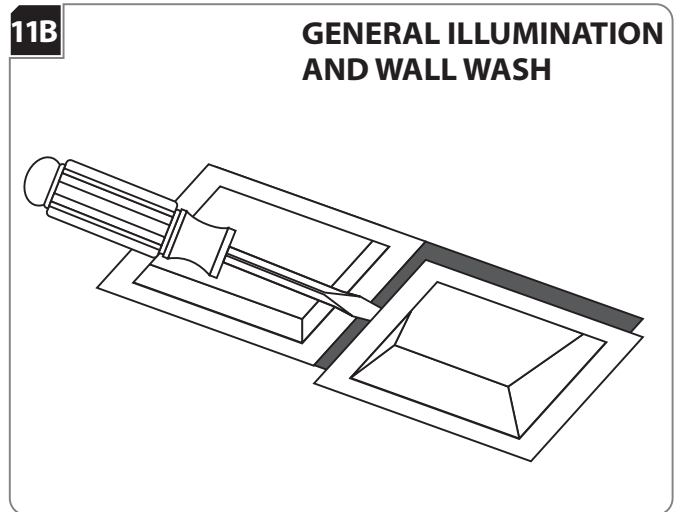
- Unscrew and remove the LED housing cover.
- Remove the optic.
- If installing an optional lens, rest the lens inside the housing cover.
- Install the optic (replacement or existing) inside the LED housing cover.
- Screw the LED housing cover back on.

## Removing the Module



**WARNING:** Always squeeze the two tabs when adjusting the LED housing. Failure to do so will damage the finish.

- 1 In order to have the clearance to remove the module, the LED housing must be rotated: Squeeze in the two tabs on the LED housing and rotate the housing towards either end of the fixture housing.
- 2 Grip the LED module and pull the LED housing straight down. If any resistance is given, rotate it to the next adjacent side.
- 3 See section 7 for reinstallation.



- 4 Remove the General Illumination and Wall Wash modules using a flathead screw driver to gently pry the module from the housing.

**SAVE THESE INSTRUCTIONS!**

**ELEMENT**

by Tech Lighting®

7400 Linder Ave, Skokie, IL 60077

847.410.4400

[www.element-lighting.com](http://www.element-lighting.com)

© 2016 Tech Lighting, L.L.C. All rights reserved. The "Element" graphic is a registered trademark of Element. Element reserves the right to change specifications for product improvements without notification.

A Generation Brands Company