

19162, TRIM, 4IN SQUARE GIMBAL



Product Details

Item No.	:	19162-01
Finish	:	Black
Length	:	5"
Width	:	5"
Height	:	1.5"
Est. Weight	:	0.5 lbs
Approval	:	cETLus

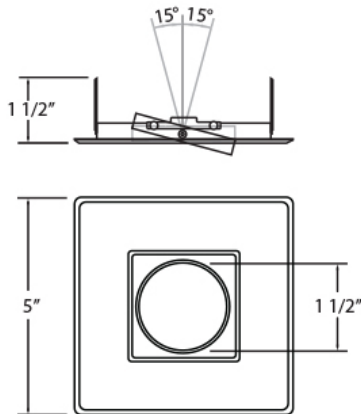
BULB DETAILS

No. of Bulbs	:	1
Bulb Type	:	MR16
Bulb Voltage	:	12V
Bulb Wattage	:	50W
Input Voltage	:	120V
Dimmable	:	Yes
Bulb Included	:	No

Options Available

ITEM NO.	FINISH	SHADE
19162-01	Black	
19162-02	White	
19162-03	Gold	
19162-04	Satin Nickel	
19162-06	Antique Brass	
19162-08	Satin Copper	

Simplicity in design allows a straight forward look while still being functionally adjustable. Rear re-lamping. Stamped metal construction. Vertically adjustable 0 degrees to 15 degrees . 4 inch housing required, sold separately.



TECHNICAL DETAILS

Beam Angle	:	15 degrees
Cut Hole	:	4.375"

HOUSING DETAILS

HOUSING #	APPLICATION	CUT HOLE	LENGTH	WIDTH	LAMPING
GU4-00	Remodel	4.375"	12.5"	4.87"	
GUC4-00	New Construction	4.375"	12.125"	7.75"	50W GU10 120V
GUI4-00	Insulated Ceiling Airtight	4.375"	12.62"	9"	
RH04	Remodel	4.375"	13.125"	4.375"	
NC04-B	New Construction	4.375"	12.125"	7.75"	50W MR16 12V
IC04	Insulated Ceiling Airtight	4.375"	12.625"	9"	

PROJECT INFORMATION

Job Name: Date: Type:

Comments: