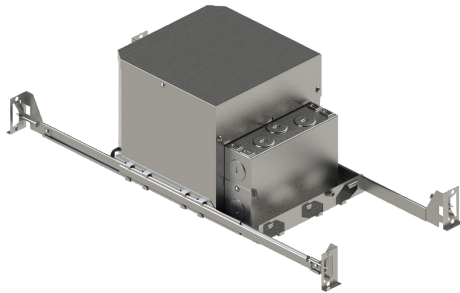


GUI325, 3 1/4-INCH INSULATED, GU10 HOUSING



Product Details

| | | |
|-------------|---|----------|
| Item No. | : | GUI325 |
| Length | : | 12.63" |
| Width | : | 9" |
| Height | : | 7.75" |
| Est. Weight | : | 3.64 lbs |
| Approval | : | cETLus |

BULB DETAILS

| | | |
|---------------|---|------|
| No. of Bulbs | : | 1 |
| Bulb Type | : | GU10 |
| Bulb Voltage | : | 120V |
| Bulb Wattage | : | 50W |
| Bulb Socket | : | GU10 |
| Input Voltage | : | 120V |
| Dimmable | : | Yes |
| Bulb Included | : | No |

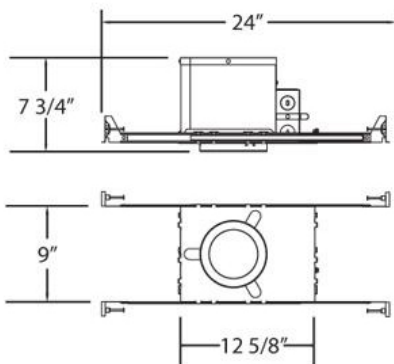
Options Available

| ITEM NO. | FINISH | SHADE |
|----------|--------|-------|
| GUI325 | | |

Must be used in any ceiling where there is insulation. This housing incorporates a box which creates an air space between the inner fixture and the insulation. Unless there is access from above via the attic, the size of the box makes insulated housings suitable only for new construction applications. Consult local codes for the requirement of a vapor barrier extender, not included.

TECHNICAL DETAILS

| | | |
|----------|---|------|
| Cut Hole | : | 3.5" |
|----------|---|------|



PROJECT INFORMATION

| | | | | | |
|-----------|----------------------|-------|----------------------|-------|----------------------|
| Job Name: | <input type="text"/> | Date: | <input type="text"/> | Type: | <input type="text"/> |
| Comments: | <input type="text"/> | | | | |