

## NC04-B, 4-INCH NEW CONST. HOUSING SQUARE PLATE

### Product Details

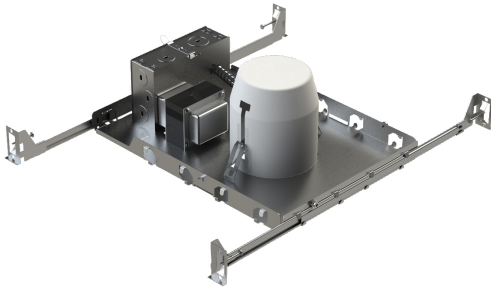
Item No.	:	NC04-B
Length	:	12.13"
Width	:	7.75"
Height	:	4.38"
Est. Weight	:	4.62 lbs
Approval	:	cETLus

### BULB DETAILS

No. of Bulbs	:	1
Bulb Type	:	MR16
Bulb Voltage	:	12V
Bulb Wattage	:	50W
Bulb Socket	:	GU5.3
Input Voltage	:	120V
Dimmable	:	Yes
Bulb Included	:	No

### TECHNICAL DETAILS

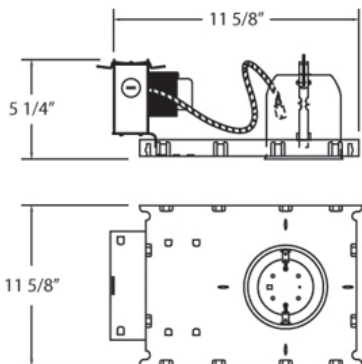
Cut Hole	:	4.375"
----------	---	--------



### Options Available

ITEM NO.	FINISH	SHADE
NC04-B		

Designed for open (yet-to-be-drywalled) ceilings these housings incorporate a plate and hanger bars so the housing can be positioned in the desired location. New work type housings consist of a frame in plate with the housing components built onto the plate. The can is removed during initial installation and is inserted after the drywall is installed.



### PROJECT INFORMATION

Job Name:	<input type="text"/>	Date:	<input type="text"/>	Type:	<input type="text"/>
Comments:	<input type="text"/>				