

TENC325B, HOUSING, 3 1/4IN W/LIP CAN, SQ P

Product Details

Item No.	:	TENC-325B
Length	:	12.13"
Width	:	7.75"
Height	:	4.5"
Est. Weight	:	4.43 lbs
Approval	:	cETLus

BULB DETAILS

No. of Bulbs	:	1
Bulb Type	:	MR16
Bulb Voltage	:	12V
Bulb Wattage	:	50W
Bulb Socket	:	GU5.3
Input Voltage	:	120V
Dimmable	:	Yes
Bulb Included	:	No

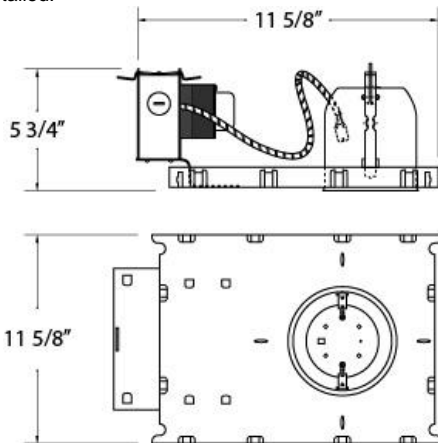
TECHNICAL DETAILS

Cut Hole	:	3.5"
----------	---	------

Options Available

ITEM NO.	FINISH	SHADE
TENC-325B		

Designed for open (yet-to-be-drywalled) ceilings these housings incorporate a plate and hanger bars so the housing can be positioned in the desired location. New work type housings consist of a frame in plate with the housing components built onto the plate. The can is removed during initial installation and is inserted after the drywall is installed.



PROJECT INFORMATION

Job Name:	<input type="text"/>	Date:	<input type="text"/>	Type:	<input type="text"/>
Comments:	<input type="text"/>				