

19159, TRIM, 4IN PINHOLE



Product Details

Item No.	:	19159-01
Finish	:	Black
Diameter	:	5"
Height	:	1.88"
Est. Weight	:	0.49 lbs
Approval	:	cETLus

BULB DETAILS

No. of Bulbs	:	1
Bulb Type	:	MR16
Bulb Wattage	:	50W
Input Voltage	:	120V
Dimmable	:	Yes
Bulb Included	:	No

TECHNICAL DETAILS

Beam Angle	:	15 degrees
Cut Hole	:	4.375"

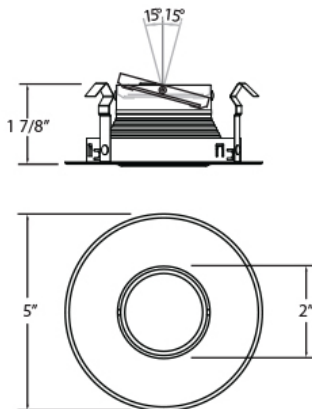
HOUSING DETAILS

HOUSING #	APPLICATION	CUT HOLE	LENGTH	WIDTH	LAMPING
GU4-00	Remodel	4.375"	12.5"	4.87"	
GUC4-00	New Construction	4.375"	12.125"	7.75"	50W GU10 120V
GUI4-00	Insulated Ceiling Airtight	4.375"	12.62"	9"	
RH04	Remodel	4.375"	13.125"	4.375"	
NC04-B	New Construction	4.375"	12.125"	7.75"	50W MR16
IC04	Insulated Ceiling Airtight	4.375"	12.625"	9"	

Options Available

ITEM NO.	FINISH	SHADE
19159-01	Black	
19159-02	White	
19159-03	Gold	
19159-04	Satin Nickel	
19159-05	Chrome	
19159-06	Antique Brass	
19159-08	Satin Copper	
19159-09	Bronze	

Extremely small aperture for minimal visibility of the fixture on the ceiling surface. Fixed down-light. Stamped metal construction. 4 inch housing required, sold separately.



PROJECT INFORMATION

Job Name: Date: Type:

Comments: