

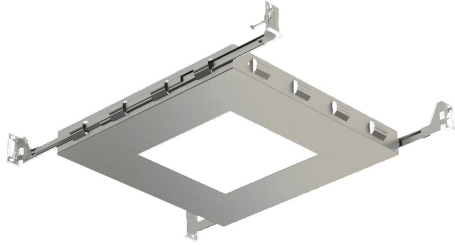
24051, NC PLATE: TE111/TE111GU10/TE111TR/TE161/TE161LED

PRODUCT DETAILS

No.	:	24051-019
Length	:	11.25"
Width	:	12.75"
Height	:	1.375"

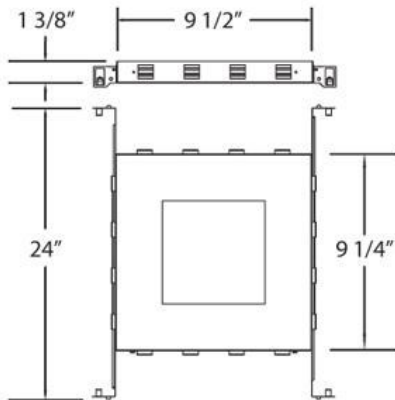
TECHNICAL DETAILS

Cut Hole Length	:	5.125"
Cut Hole Width	:	5.125"



OPTIONS AVAILABLE

ITEM NO.	FINISH	SHADE
24051-019		



PROJECT INFORMATION

 Job Name: Date: Type:

 Comments:

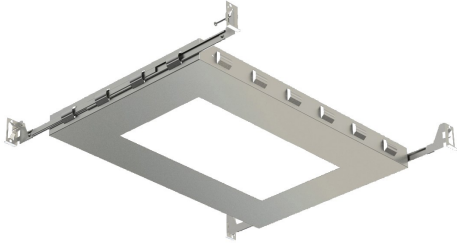
24052, NC PLATE: TE112/TE112GU10/ TE162/ TE162LED

PRODUCT DETAILS

No.	:	24052-016
Length	:	17"
Width	:	12.75"
Height	:	1.375"

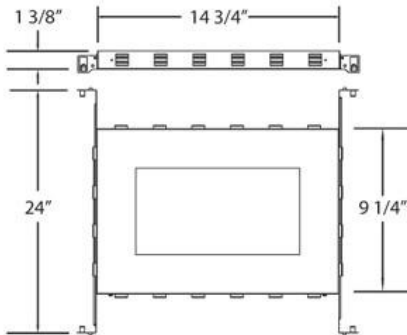
TECHNICAL DETAILS

Cut Hole Length	:	9.5"
Cut Hole Width	:	5.125"



OPTIONS AVAILABLE

ITEM NO.	FINISH	SHADE
24052-016		



PROJECT INFORMATION

Job Name: Date: Type:

Comments:

24053, NC PLATE:TE113/TE113GU10/TE113TR/TE163/TE163LED

PRODUCT DETAILS

No. : 24053-013
 Length : 22"
 Width : 12.75"
 Height : 1.375"

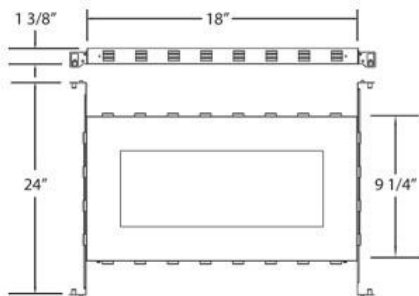
TECHNICAL DETAILS

Cut Hole Length : 13.375"
 Cut Hole Width : 5.125"



OPTIONS AVAILABLE

ITEM NO.	FINISH	SHADE
24053-013		



PROJECT INFORMATION

Job Name: Date: Type:

Comments:

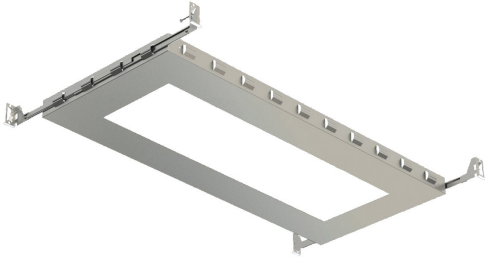
24054, NCP:TE114A/TE114AGU10/TE114ATR/TE164A/TE164ALED

PRODUCT DETAILS

No. : 24054-010
 Length : 26"
 Width : 12.75"
 Height : 1.375"

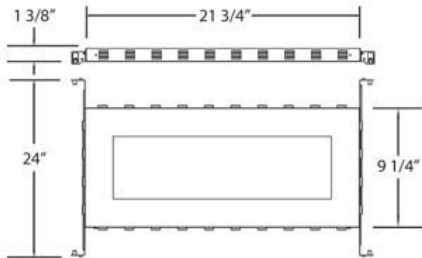
TECHNICAL DETAILS

Cut Hole Length : 17.375"
 Cut Hole Width : 5.125"



OPTIONS AVAILABLE

ITEM NO.	FINISH	SHADE
24054-010		



PROJECT INFORMATION

Job Name: Date: Type:

Comments: