

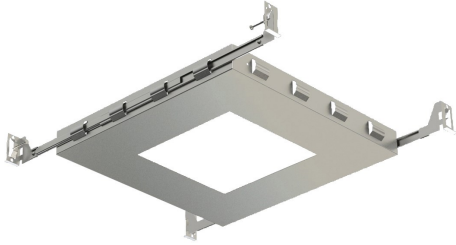
## 24067, NC PLATE: TE221/TE221LED

### PRODUCT DETAILS

No.	:	24067-010
Length	:	12.75"
Width	:	12.75"
Height	:	1.375"

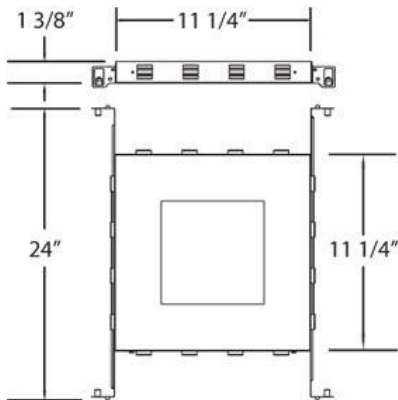
### TECHNICAL DETAILS

Cut Hole Length	:	6.5"
Cut Hole Width	:	6.5"



### OPTIONS AVAILABLE

ITEM NO.	FINISH	SHADE
24067-010		



### PROJECT INFORMATION

Job Name:  Date:  Type:

Comments:

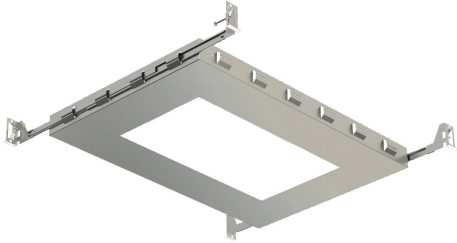
## 24068, NC PLATE: TE222/TE222LED

### PRODUCT DETAILS

No.	:	24068-017
Length	:	18.25"
Width	:	12.75"
Height	:	1.38"

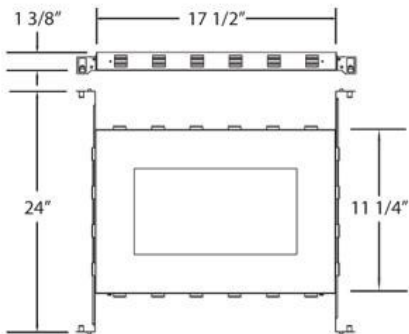
### TECHNICAL DETAILS

Cut Hole Length	:	12.5"
Cut Hole Width	:	6.5"



### OPTIONS AVAILABLE

ITEM NO.	FINISH	SHADE
24068-017		



### PROJECT INFORMATION

Job Name:       Date:       Type:

Comments:

## 24069, NC PLATE: TE223/TE223LED

### PRODUCT DETAILS

No.	:	24069-014
Length	:	24"
Width	:	12.75"
Height	:	1.38"

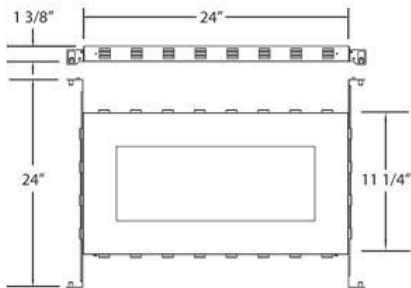
### TECHNICAL DETAILS

Cut Hole Length	:	18.625"
Cut Hole Width	:	6.5"



### OPTIONS AVAILABLE

ITEM NO.	FINISH	SHADE
24069-014		



### PROJECT INFORMATION

Job Name:       Date:       Type:

Comments: