

24083, IC BOX FOR TE211 & LED

PRODUCT DETAILS

No.	:	24083-010
Length	:	11"
Width	:	9"
Height	:	9.5"

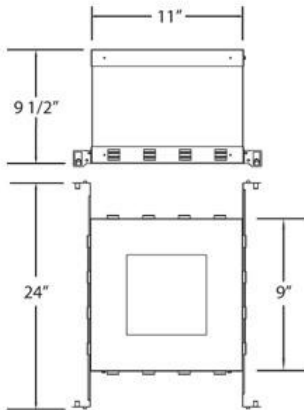
TECHNICAL DETAILS

Cut Hole Length	:	4.188"
Cut Hole Width	:	4.188"



OPTIONS AVAILABLE

ITEM NO.	FINISH	SHADE
24083-010		



PROJECT INFORMATION

Job Name: Date: Type:

Comments:

24084, IC BOX FOR TE212 & LED

PRODUCT DETAILS

No. : 24084-017
 Length : 17"
 Width : 8.75"
 Height : 9.5"

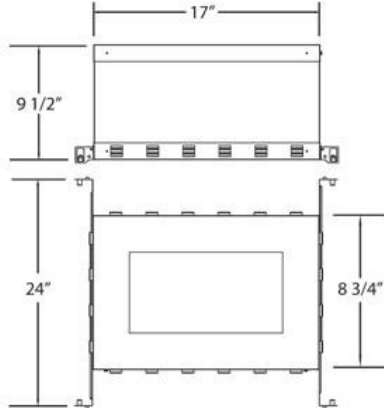
TECHNICAL DETAILS

Cut Hole Length : 8.625"
 Cut Hole Width : 4.188"



OPTIONS AVAILABLE

ITEM NO.	FINISH	SHADE
24084-017		



PROJECT INFORMATION

Job Name: Date: Type:

Comments:

24085, IC BOX FOR TE213 & LED

PRODUCT DETAILS

No.	:	24085-014
Length	:	19.75"
Width	:	8.75"
Height	:	9.5"

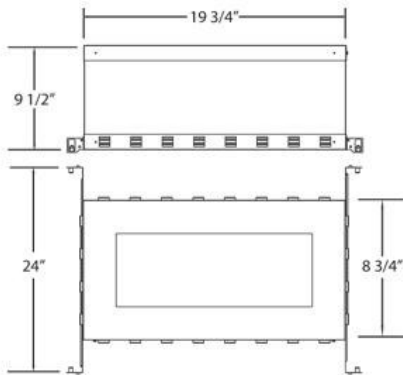
TECHNICAL DETAILS

Cut Hole Length	:	12.625"
Cut Hole Width	:	4.188"



OPTIONS AVAILABLE

ITEM NO.	FINISH	SHADE
24085-014		



PROJECT INFORMATION

Job Name: Date: Type:

Comments: