

MULTIPLE RECESSED DIFFUSED LENS LED



30307

HOUSING

- 18 gauge powder coated steel housing
- Remodel housing complete with adjustable mounting clips suitable for 1/2" and 5/8" drywall
- New construction plate, insulated ceiling box and airtight IC box sold separately (refer to housing options)*

TRIM

- Extruded 6063 aluminum trim
- Powder coated finish
- Available in black, white and platinum

LAMPING

- 4 x 14.4W Integrated LED TRIAC Dimming. For 0-10V and alternate dimming options consult Eurofase
- Beam angle: 120°
- Kelvin: 3000K
- Total lumens: 4720lm
- CRI: 80+

ELECTRICAL

- Junction box has two 1/2" and four 3/4" knockouts for through branch circuit wiring
- Thermally protected
- Input voltage: 120V. For 277V and 347V input options consult Eurofase

DIMENSIONS

- Cut hole: 9 1/2"L x 9 1/2"W
- Fixture: 10 5/8"L x 10 5/8"W x 6 3/4"H

PHOTOMETRICS

- See pg 101

CUSTOMIZATION

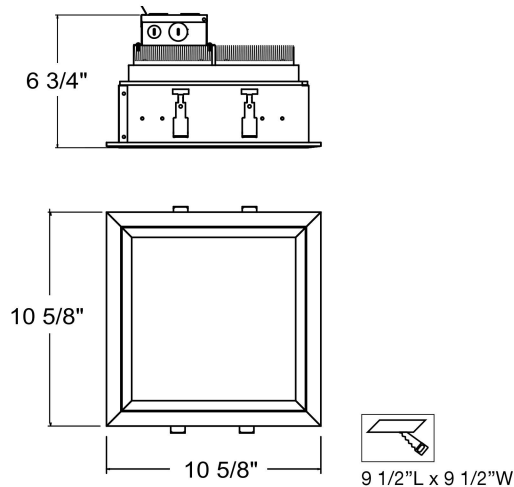
- For customization, please consult Eurofase

SPECIFICATION:

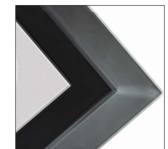


WATTS	LUMENS	KELVIN	DIMMABLE	CRI	BEAM ANGLE
57.6W	4720lm	3000K	TRIAC	80+	120°

PRODUCT DIMENSION:



FINISHES:



-01 Black



-02 White



-0N Platinum

ORDERING GUIDE:

MODEL	FINISH
30307	-01 Black
	-02 White
	-0N Platinum

EXAMPLE: 30307-01

*HOUSING OPTIONS (SOLD SEPARATELY):

Refer to page 149 for housing specification

24055-017

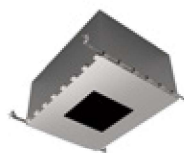
NEW CONSTRUCTION PLATE



Cut Hole 9 1/2"L x 9 1/2"W
Dimension 24"L x 18"W x 1 3/8"H

30370-012
24075-015

AIRTIGHT IC BOX
INSULATED CEILING BOX



Cut Hole 9 1/2"L x 9 1/2"W
Dimension 24"L x 18"W x 11 1/2"H