



GIMBAL

31763

HOUSING

- 18 gauge powder coated steel housing
- Remodel housing complete with adjustable mounting clips suitable for 1/2" and 5/8" drywall
- New construction plate, insulated ceiling box and airtight IC box sold separately (refer to housing options) *

GIMBAL

- Adjustable direction suit different application requirement
- Tilt: 30°

LAMPING

- 2 x 15W Integrated LED TRIAC Dimming. For 0-10V and alternate dimming options consult Eurofase.
- Beam angle: 40°
- Kelvin: 3000K/3500K
- Lumen per head: 1290lm
- Total Lumen: 2580lm
- CRI: 80+

ELECTRICAL

- Class 2 dimmable constant current driver (included)
- Driver box mates to fixture by 12" flexible BX cable
- Thermally protected
- Input voltage: 120V. For 277V and 347V input options consult Eurofase.

DIMENSIONS

- Cut hole: 6 13/16"L x 3 3/8"W
- Fixture: 7 5/16"L x 3 7/8"W x 5 3/4"H

PHOTOMETRICS

- See pg 124

CUSTOMIZATION

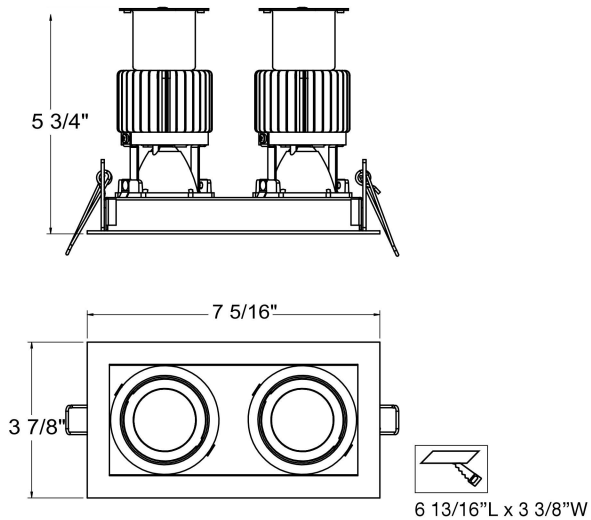
- For customization, please consult Eurofase

SPECIFICATION:



WATTS PER HEAD	LUMENS PER HEAD	KELVIN	DIMMABLE	CRI	BEAM ANGLE	TILT
15W	1290lm	3000K / 3500K	TRIAC	80+	40°	30°

PRODUCT DIMENSION:



FINISHES:



-023 Black



-011 White

ORDERING GUIDE:

MODEL	KELVIN	FINISH
31763	-30 3000K	-023 Black
	-35 3500K	-011 White

EXAMPLE: 31763-30-023



***HOUSING OPTIONS (SOLD SEPARATELY):**

Refer to page 150 for housing specification

31877-015

NEW CONSTRUCTION PLATE



Cut Hole 6 13/16" L x 3 3/8" W
Dimension 17" L x 12 3/4" W x 1 3/8" H

31879-023
31879-019

AIR-TIGHT IC BOX
INSULATED CEILING BOX



Cut Hole 6 13/16" L x 3 3/8" W
Dimension 17" L x 12 3/4" W x 11 1/2" H



MULTIPLE RECESSED AMIGO LED 15W