

MULTIPLE RECESSED GU10



TRIM

TE114BGU10

HOUSING

- 18 gauge powder coated steel housing
- Remodel housing complete with adjustable mounting clips suitable for 1/2" and 5/8" drywall
- New construction plate, insulated ceiling box and airtight IC box sold separately (refer to housing options) *

TRIM

- Extruded 6063 aluminum trim
- Powder coated finish
- Available in black, white and platinum

LAMPING

- 4 x 50W max. GU10 (not included)
- Horizontal adjustment: 0° - 35°

ELECTRICAL

- Integral electrical junction box
- Junction box has two 1/2" and four 3/4" knockouts for through branch circuit wiring
- Thermally protected
- Input voltage: 120V

DIMENSIONS

- Cut hole: 9 1/2"L x 9 1/2"W
- Fixture: 10 9/16"L x 10 9/16"W x 6 3/4"H

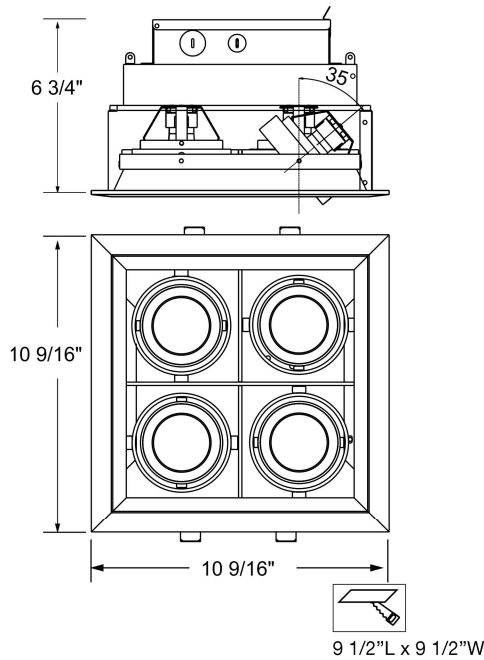
CUSTOMIZATION

- For customization, please consult Eurofase

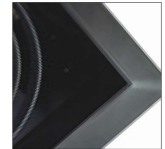


*LED COMPATIBLE

PRODUCT DIMENSION:



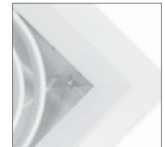
FINISHES:



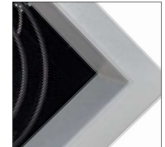
-01 Black/Black



-02 White/Black



-22 White/White



-0N Platinum/Black

ORDERING GUIDE:

MODEL	FINISH
TE114BGU10	-01 Black/Black
	-02 White/Black
	-22 White/White
	-0N Platinum/Black

EXAMPLE: TE114BGU10-01

*HOUSING OPTIONS (SOLD SEPARATELY):

Refer to page 142 for housing specification

24055-017

NEW CONSTRUCTION PLATE

30370-012

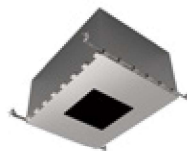
AIRTIGHT IC BOX

24075-015

INSULATED CEILING BOX



Cut Hole 9 1/2"L x 9 1/2"W
Dimension 24"L x 18"W x 1 3/8"H



Cut Hole 9 1/2"L x 9 1/2"W
Dimension 24"L x 18"W x 11 1/2"H