

MULTIPLE RECESSED LED 26W



TRIM

TE132LED

HOUSING

- 18 gauge powder coated steel housing
- Remodel housing complete with adjustable mounting clips suitable for 1/2" and 5/8" drywall
- New construction plate, insulated ceiling box and airtight IC box sold separately (refer to housing options) *

TRIM

- Extruded 6063 aluminum trim
- Powder coated finish
- Available in black, white and platinum

LAMPING

- 2 x 26W Integrated LED TRIAC Dimming. For 0-10V and alternate dimming options consult Eurofase
- Beam angle: 20°/40°
- Horizontal adjustment: 0° - 20°
- Kelvin: 3000K/3500K/4000K
- Lumen per head: 2500lm
- Total Lumens: 5000lm
- CRI: 80+

ELECTRICAL

- Class 2 dimmable constant current driver (included)
- Driver box mates to fixture by 24" flexible BX cable and has one 1/2" and two 3/4" knockouts for through branch circuit wiring
- Thermally protected
- Input voltage: 120V. For 277V and 347V input options consult Eurofase

DIMENSIONS

- Cut hole: 12 3/4"L x 6 3/4"W
- Fixture: 13 7/16"L x 7 3/4"W x 7"H

PHOTOMETRICS

- See pg 30

CUSTOMIZATION

- For customization, please consult Eurofase

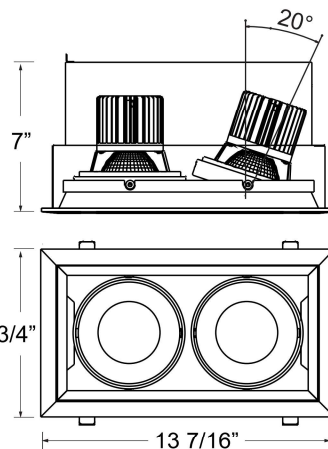


SPECIFICATION:



WATTS PER HEAD	LUMENS PER HEAD	KELVIN	DIMMABLE	CRI	BEAM ANGLE
26W	2500lm	3000K / 3500K 4000K	TRIAC	80+	20° / 40°

PRODUCT DIMENSION:

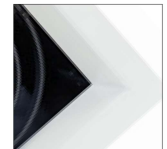


12 3/4"L x 6 3/4"W

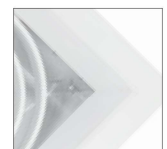
FINISHES:



-01 Black/Black



-02 White/Black



-22 White/White



-0N Platinum/Black

ORDERING GUIDE:

MODEL	KELVIN	BEAM ANGLE	FINISH
TE132LED	-30 3000K	-2 20°	-01 Black/Black
	-35 3500K	-4 40°	-02 White/Black
	-40 4000K		-22 White/White
			-0N Platinum/Black

EXAMPLE: TE132LED-30-2-01

*HOUSING OPTIONS (SOLD SEPARATELY):

Refer to page 139 for housing specification

24058-018

NEW CONSTRUCTION PLATE



Cut Hole 12 3/4"L x 6 3/4"W
Dimension 20 1/4"L x 12 3/4"W x 1 3/8"H



30373-013
24078-016

AIRTIGHT IC BOX
INSULATED CEILING BOX

Cut Hole 12 3/4"L x 6 3/4"W
Dimension 20 1/4"L x 12 3/4"W x 11 1/2"H