

MULTIPLE RECESSED LED 26W



TRIM

TE134ALED

HOUSING

- 18 gauge powder coated steel housing
- Remodel housing complete with adjustable mounting clips suitable for 1/2" and 5/8" drywall
- New construction plate, insulated ceiling box and airtight IC box sold separately (refer to housing options) *

TRIM

- Extruded 6063 aluminum trim
- Powder coated finish
- Available in black, white and platinum

LAMPING

- 4 x 26W Integrated LED TRIAC Dimming. For 0-10V and alternate dimming options consult Eurofase
- Beam angle: 20°/40°
- Horizontal adjustment: 0° - 20°
- Kelvin: 3000K/3500K/4000K
- Lumen per head: 2500lm
- Total Lumens: 10000lm
- CRI: 80+

ELECTRICAL

- Class 2 dimmable constant current driver (included)
- Driver box mates to fixture by 24" flexible BX cable and has three 1/2" and four 3/4" knockouts for through branch circuit wiring
- Thermally protected
- Input voltage: 120V. For 277V and 347V input options consult Eurofase

DIMENSIONS

- Cut hole: 23 5/8"L x 6 3/4"W
- Fixture: 24 1/4"L x 7 3/4"W x 7"H

PHOTOMETRICS

- See pg 32

CUSTOMIZATION

- For customization, please consult Eurofase



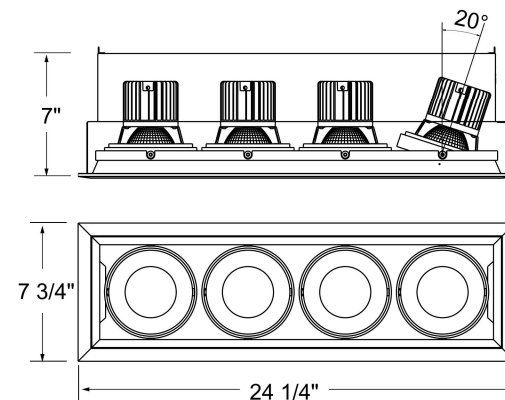
Driver box included

SPECIFICATION:



| WATTS PER HEAD | LUMENS PER HEAD | KELVIN | DIMMABLE | CRI | BEAM ANGLE |
|----------------|-----------------|------------------------|----------|-----|------------|
| 26W | 2500lm | 3000K / 3500K 4000K | TRIAC | 80+ | 20° / 40° |

PRODUCT DIMENSION:



23 5/8"L x 6 3/4"W

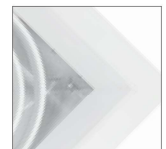
FINISHES:



-01 Black/Black



-02 White/Black



-22 White/White



-0N Platinum/Black

ORDERING GUIDE:

| MODEL | KELVIN | BEAM ANGLE | FINISH |
|-----------|-----------|------------|--------------------|
| TE134ALED | -30 3000K | -2 20° | -01 Black/Black |
| | -35 3500K | -4 40° | -02 White/Black |
| | -40 4000K | | -22 White/White |
| | | | -0N Platinum/Black |

EXAMPLE: TE134ALED-30-2-01

*HOUSING OPTIONS (SOLD SEPARATELY):

Refer to page 139 for housing specification

24060-011

NEW CONSTRUCTION PLATE

30375-017
24080-019

AIRTIGHT IC BOX
INSULATED CEILING BOX



Cut Hole 23 5/8"L x 6 3/4"W
Dimension 34"L x 12 3/4"W x 1 3/8"H



Cut Hole 23 5/8"L x 6 3/4"W
Dimension 34"L x 12 3/4"W x 11 1/2"H