

# MULTIPLE RECESSED LED 26W



**TRIM**

## TE134BLED

### HOUSING

- 18 gauge powder coated steel housing
- Remodel housing complete with adjustable mounting clips suitable for 1/2" and 5/8" drywall
- New construction plate, insulated ceiling box and airtight IC box sold separately (refer to housing options) \*

### TRIM

- Extruded 6063 aluminum trim
- Powder coated finish
- Available in black, white and platinum

### LAMPING

- 4 x 26W Integrated LED TRIAC Dimming. For 0-10V and alternate dimming options consult Eurofase
- Beam angle: 20°/40°
- Horizontal adjustment: 0° - 20°
- Kelvin: 3000K/3500K/4000K
- Lumen per head: 2500lm
- Total Lumens: 10000lm
- CRI: 80+

### ELECTRICAL

- Class 2 dimmable constant current driver (included)
- Driver box mates to fixture by 24" flexible BX cable and has three 1/2" and four 3/4" knockouts for through branch circuit wiring
- Thermally protected
- Input voltage: 120V. For 277V and 347V input options consult Eurofase

### DIMENSIONS

- Cut hole: 12 3/4"L x 12 3/4"W
- Fixture: 13 1/2"L x 13 1/2"W x 7"H

### PHOTOMETRICS

- See pg 31

### CUSTOMIZATION

- For customization, please consult Eurofase



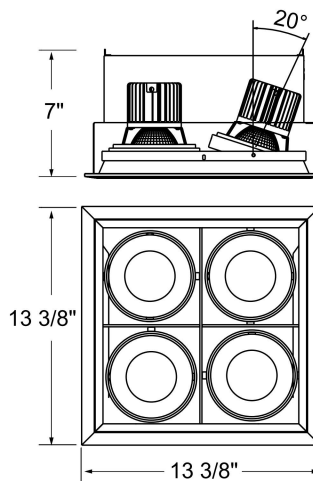
Driver box included

### SPECIFICATION:



WATTS PER HEAD	LUMENS PER HEAD	KELVIN	DIMMABLE	CRI	BEAM ANGLE
26W	2500lm	3000K / 3500K 4000K	TRIAC	80+	20° / 40°

### PRODUCT DIMENSION:



12 3/4"L x 12 3/4"W

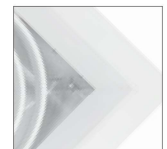
### FINISHES:



-01 Black/Black



-02 White/Black



-22 White/White



-0N Platinum/Black

### ORDERING GUIDE:

MODEL	KELVIN	BEAM ANGLE	FINISH
TE134BLED -30	3000K	-2 20°	-01 Black/Black
-35	3500K	-4 40°	-02 White/Black
-40	4000K		-22 White/White
			-0N Platinum/Black

EXAMPLE: TE134BLED-30-2-01

### \*HOUSING OPTIONS (SOLD SEPARATELY):

Refer to page 139 for housing specification

24061-018

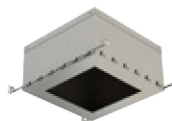
NEW CONSTRUCTION PLATE



Cut Hole 12 3/4"L x 12 3/4"W  
Dimension 20"L x 18"W x 1 3/8"H

30376-014  
24081-016

AIRTIGHT IC BOX  
INSULATED CEILING BOX



Cut Hole 12 3/4"L x 12 3/4"W  
Dimension 20"L x 18"W x 11 1/2"H