



**TRIM**

**TE136A**



**\*LED COMPATIBLE**

**HOUSING**

- 18 gauge powder coated steel housing
- Remodel housing complete with adjustable mounting clips suitable for 1/2" and 5/8" drywall
- New construction plate, insulated ceiling box and airtight IC box sold separately (refer to housing options) \*

**TRIM**

- Extruded 6063 aluminum trim
- Powder coated finish
- Available in black, white and platinum

**LAMPING**

- 6 x 75W max. PAR30 (not included)
- Horizontal adjustment: 0° - 35°
- Adjustable socket holder accommodates both long and short neck lamping

**ELECTRICAL**

- Integral electrical junction box
- Junction box has two 1/2" and four 3/4" knockouts for through branch circuit wiring
- Thermally protected
- Input voltage: 120V

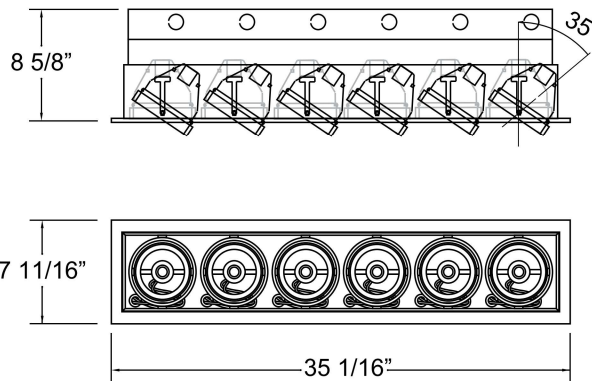
**DIMENSIONS**

- Cut hole: 34 1/4"L x 6 3/4"W
- Fixture: 35 1/16"L x 7 11/16"W x 8 5/8"H

**CUSTOMIZATION**

- For customization, please consult Eurofase

**PRODUCT DIMENSION:**



34 1/4"L x 6 3/4"W

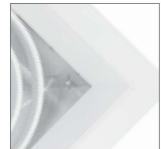
**FINISHES:**



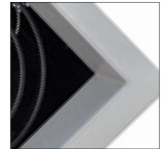
-01 Black/Black



-02 White/Black



-22 White/White



-0N Platinum/Black

**ORDERING GUIDE:**

MODEL	FINISH
<b>TE136A</b>	-01 Black/Black
	-02 White/Black
	-22 White/White
	-0N Platinum/Black

**EXAMPLE:** TE136A-01

**\*HOUSING OPTIONS (SOLD SEPARATELY):**

*Refer to page 146 for housing specification*

**24062-015**

**NEW CONSTRUCTION PLATE**



Cut Hole 34 1/4"L x 6 3/4"W  
Dimension 43 1/2"L x 12 3/4"W x 1 3/8"H

**30377-011**  
**24082-013**

**AIRTIGHT IC BOX**  
**INSULATED CEILING BOX**



Cut Hole 34 1/4"L x 6 3/4"W  
Dimension 43 1/2"L x 12 3/4"W x 11 1/2"H

