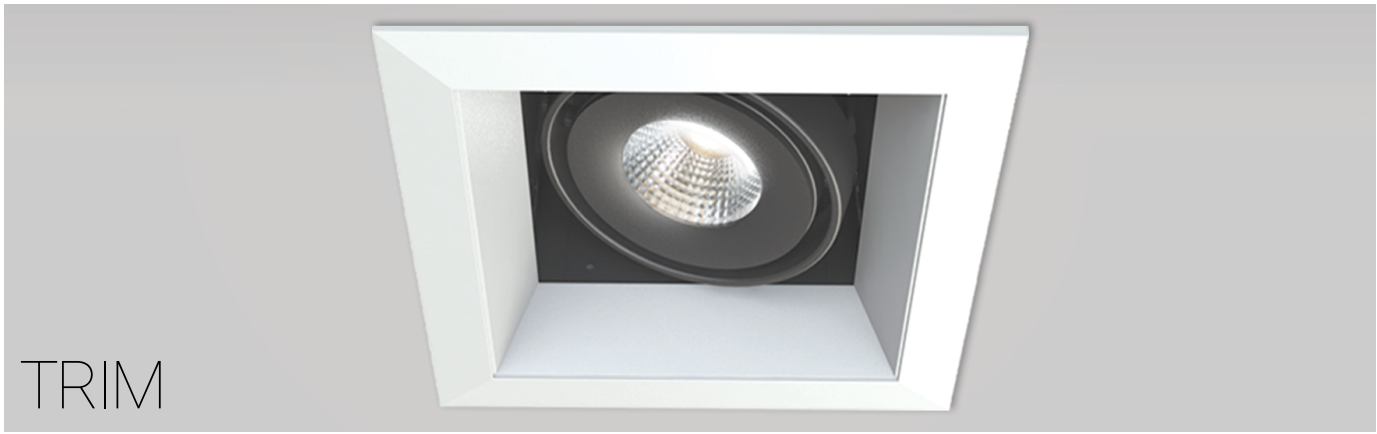


# MULTIPLE RECESSED LED 15W



TRIM

## TE161LED

### HOUSING

- 18 gauge powder coated steel housing
- Remodel housing complete with adjustable mounting clips suitable for 1/2" and 5/8" drywall
- New construction plate, insulated ceiling box and airtight IC box sold separately

### TRIM

- Extruded 6063 aluminum trim
- Powder coated finish
- Available in black, white and platinum

### LAMPING

- 1 x 15W Integrated LED TRIAC Dimming. For 0-10V and alternate dimming options consult Eurofase
- **Beam angle:** 20°/40°
- **Horizontal adjustment:** 0° - 20°
- **Kelvin:** 3000K/3500K/4000K
- **Lumen per head:** 1290lm
- **CRI:** 90+

### ELECTRICAL

- Class 2 dimmable constant current driver (included)
- Driver box mates to fixture by 24" flexible BX cable and has one 1/2" and two 3/4" knockouts for through branch circuit wiring
- Thermally protected
- **Input voltage:** 120V. For 277V and 347V input options consult Eurofase

### DIMENSIONS

- **Cut hole:** 5 1/8"L x 5 1/8"W
- **Fixture:** 6 3/16"L x 6 3/16"W x 5 7/8"H

### PHOTOMETRICS

- See pg 66

### CUSTOMIZATION

- For customization, please consult Eurofase

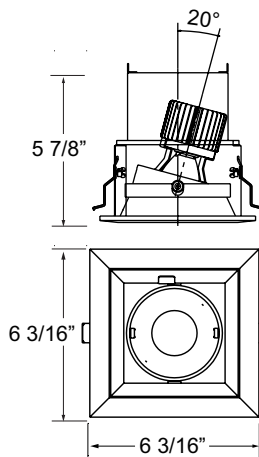


### SPECIFICATION:



WATTS PER HEAD	LUMENS PER HEAD	KELVIN	DIMMABLE	CRI	BEAM ANGLE
15W	1290lm	3000K / 3500K 4000K	TRIAC	90+	20° / 40°

### PRODUCT DIMENSION:

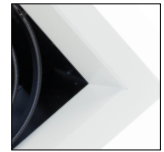


5 1/8"L x 5 1/8"W

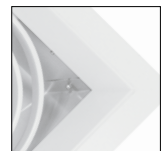
### FINISHES:



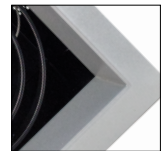
-01 Black/Black



-02 White/Black



-22 White/White



-0N Platinum/Black

### ORDERING GUIDE:

MODEL	KELVIN	BEAM ANGLE	FINISH
TE161LED	-30 3000K	-2 20°	-01 Black/Black
	-35 3500K	-4 40°	-02 White/Black
	-40 4000K		-22 White/White
			-0N Platinum/Black

EXAMPLE: TE161LED-30-2-01

### \*HOUSING OPTIONS (SOLD SEPARATELY):

Refer to page 176 for housing specification

24051-019 NEW CONSTRUCTION PLATE

30366-015 AIRTIGHT IC BOX  
24071-017 INSULATED CEILING BOX



**Cut Hole** 5 1/8"L x 5 1/8"W  
**Dimension** 12 3/4"L x 11 1/4"W x 1 3/8"H



**Cut Hole** 5 1/8"L x 5 1/8"W  
**Dimension** 12 3/4"L x 11 1/4"W x 11 1/2"H

# MULTIPLE RECESSED LED 15W



## TE162LED

### HOUSING

- 18 gauge powder coated steel housing
- Remodel housing complete with adjustable mounting clips suitable for 1/2" and 5/8" drywall
- New construction plate, insulated ceiling box and airtight IC box sold separately (refer to housing options)\*

### TRIM

- Extruded 6063 aluminum trim
- Powder coated finish
- Available in black, white and platinum

### LAMPING

- 2 x 15W Integrated LED TRIAC Dimming.
- For 0-10V and alternate dimming options consult Eurofase
- **Beam angle:** 20°/40°
- **Horizontal adjustment:** 0° - 20°
- **Kelvin:** 3000K/3500K/4000K
- **Lumen per head:** 1290lm
- **Total Lumens:** 2580lm
- **CRI:** 90+

### ELECTRICAL

- Class 2 dimmable constant current driver (included)
- Driver box mates to fixture by 24" flexible BX cable and has one 1/2" and two 3/4" knockouts for through branch circuit wiring
- Thermally protected
- Input voltage: 120V.
- For 277V and 347V input options consult Eurofase

### DIMENSIONS

- **Cut hole:** 9 1/2"L x 5 1/8"W
- **Fixture:** 10 7/16"L x 6 1/8"W x 6 5/16"H

### PHOTOMETRICS

- See pg 66

### CUSTOMIZATION

- For customization, please consult Eurofase

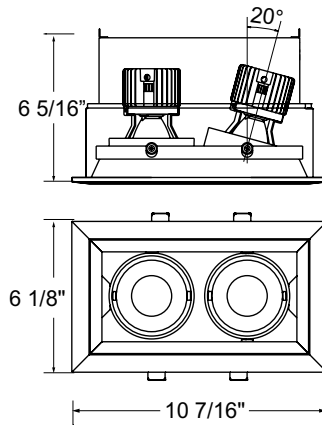


### SPECIFICATION:



WATTS PER HEAD	LUMENS PER HEAD	KELVIN	DIMMABLE	CRI	BEAM ANGLE
15W	1290lm	3000K / 3500K 4000K	TRIAC	90+	20° / 40°

### PRODUCT DIMENSION:

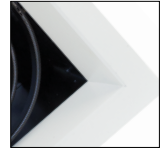


9 1/2"L x 5 1/8"W

### FINISHES:



-01 Black/Black



-02 White/Black



-22 White/White



-0N Platinum/Black

### ORDERING GUIDE:

MODEL	KELVIN	BEAM ANGLE	FINISH
TE162LED	-30 3000K	-2 20°	-01 Black/Black
	-35 3500K	-4 40°	-02 White/Black
	-40 4000K		-22 White/White
			-0N Platinum/Black

EXAMPLE: TE162LED-30-2-01

### \*HOUSING OPTIONS (SOLD SEPARATELY):

Refer to page 176 for housing specification

24052-016 NEW CONSTRUCTION PLATE



**Cut Hole** 9 1/2"L x 5 1/8"W  
**Dimension** 17"L x 12 3/4"W x 1 3/8"H

30367-012 AIRTIGHT IC BOX  
24072-014 INSULATED CEILING BOX



**Cut Hole** 9 1/2"L x 5 1/8"W  
**Dimension** 17"L x 12 3/4"W x 1 1/2"H

# MULTIPLE RECESSED LED 15W



## TE163LED

### HOUSING

- 18 gauge powder coated steel housing
- Remodel housing complete with adjustable mounting clips suitable for 1/2" and 5/8" drywall
- New construction plate, insulated ceiling box and airtight IC box sold separately (refer to housing options)\*

### TRIM

- Extruded 6063 aluminum trim
- Powder coated finish
- Available in black, white and platinum

### LAMPING

- 3 x 15W Integrated LED TRIAC Dimming.
- For 0-10V and alternate dimming options consult Eurofase
- **Beam angle:** 20°/40°
- **Horizontal adjustment:** 0° - 20°
- **Kelvin:** 3000K/3500K/4000K
- **Lumen per head:** 1290lm
- **Total Lumens:** 3870lm
- **CRI:** 90+

### ELECTRICAL

- Class 2 dimmable constant current driver (included)
- Driver box mates to fixture by 24" flexible BX cable and has one 1/2" and two 3/4" knockouts for through branch circuit wiring
- Thermally protected
- **Input voltage:** 120V.
- For 277V and 347V input options consult Eurofase

### DIMENSIONS

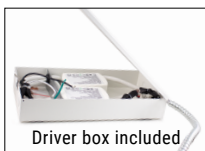
- **Cut hole:** 13 1/2"L x 5 3/16"W
- **Fixture:** 14 3/8"L x 6 3/16"W x 6 5/16"H

### PHOTOMETRICS

- See pg 67

### CUSTOMIZATION

- For customization, please consult Eurofase

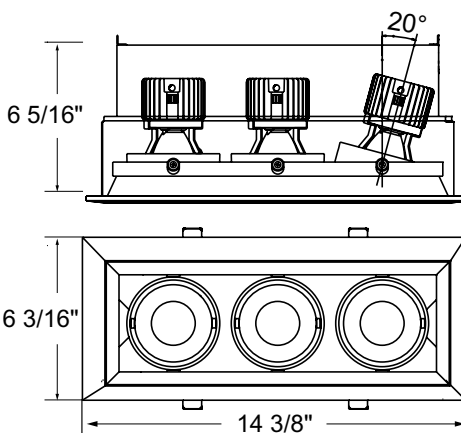


### SPECIFICATION:



WATTS PER HEAD	LUMENS PER HEAD	KELVIN	DIMMABLE	CRI	BEAM ANGLE
15W	1290lm	3000K / 3500K 4000K	TRIAC	90+	20° / 40°

### PRODUCT DIMENSION:



13 1/2"L x 5 3/16"W

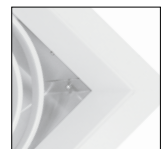
### FINISHES:



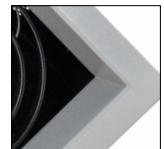
-01 Black/Black



-02 White/Black



-22 White/White



-0N Platinum/Black

### ORDERING GUIDE:

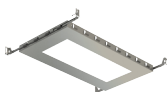
MODEL	KELVIN	BEAM ANGLE	FINISH
TE163LED	-30 3000K	-2 20°	-01 Black/Black
	-35 3500K	-4 40°	-02 White/Black
	-40 4000K		-22 White/White
			-0N Platinum/Black

EXAMPLE: TE163LED-30-2-01

### \*HOUSING OPTIONS (SOLD SEPARATELY):

Refer to page 176 for housing specification

24053-013 NEW CONSTRUCTION PLATE



**Cut Hole** 13 3/8"L x 5 1/8"W  
**Dimension** 22"L x 12 3/4"W x 1 3/8"H

30368-019 AIRTIGHT IC BOX  
24073-011 INSULATED CEILING BOX



**Cut Hole** 13 3/8"L x 5 1/8"W  
**Dimension** 22"L x 12 3/4"W x 11 1/2"H

# MULTIPLE RECESSED LED 15W



## TE164ALED

### HOUSING

- 18 gauge powder coated steel housing
- Remodel housing complete with adjustable mounting clips suitable for 1/2" and 5/8" drywall
- New construction plate, insulated ceiling box and airtight IC box sold separately (refer to housing options)\*

### TRIM

- Extruded 6063 aluminum trim
- Powder coated finish
- Available in black, white and platinum

### LAMPING

- 4 x 15W Integrated LED TRIAC Dimming.
- For 0-10V and alternate dimming options consult Eurofase
- **Beam angle:** 20°/40°
- **Horizontal adjustment:** 0° - 20°
- **Kelvin:** 3000K/3500K/4000K
- **Lumen per head:** 1290lm
- **Total Lumens:** 5160lm
- **CRI:** 90+

### ELECTRICAL

- Class 2 dimmable constant current driver (included)
- Driver box mates to fixture by 24" flexible BX cable and has three 1/2" and two 3/4" knockouts for through branch circuit wiring
- Thermally protected
- **Input voltage:** 120V.
- For 277V and 347V input options consult Eurofase

### DIMENSIONS

- **Cut hole:** 17 1/2"L x 5 1/4"W
- **Fixture:** 18 3/8"L x 6 1/8"W x 6 5/16"H

### PHOTOMETRICS

- See pg 68

### CUSTOMIZATION

- For customization, please consult Eurofase

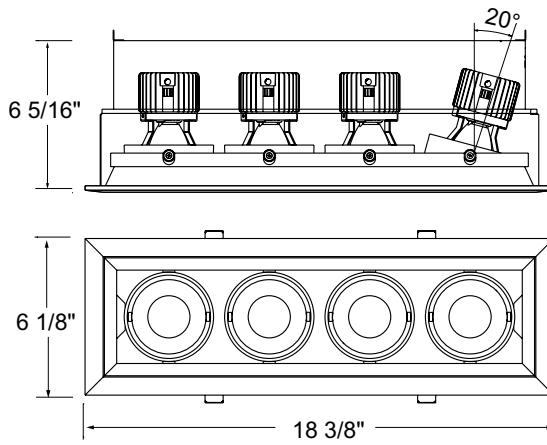


### SPECIFICATION:



WATTS PER HEAD	LUMENS PER HEAD	KELVIN	DIMMABLE	CRI	BEAM ANGLE
15W	1290lm	3000K / 3500K 4000K	TRIAC	90+	20° / 40°

### PRODUCT DIMENSION:



17 1/2"L x 5 1/4"W

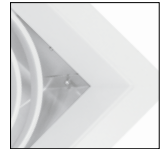
### FINISHES:



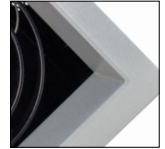
-01 Black/Black



-02 White/Black



-22 White/White



-0N Platinum/Black

### ORDERING GUIDE:

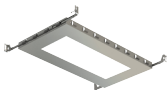
MODEL	KELVIN	BEAM ANGLE	FINISH
TE164ALED	-30 3000K	-2 20°	-01 Black/Black
	-35 3500K	-4 40°	-02 White/Black
	-40 4000K		-22 White/White
			-0N Platinum/Black

EXAMPLE: TE164ALED-30-2-01

### \*HOUSING OPTIONS (SOLD SEPARATELY):

Refer to page 176 for housing specification

24054-010 NEW CONSTRUCTION PLATE



**Cut Hole** 17 1/2"L x 5 1/8"W  
**Dimension** 26"L x 12 3/4"W x 1 3/8"H

30369-016 AIRTIGHT IC BOX  
24074-018 INSULATED CEILING BOX



**Cut Hole** 17 1/2"L x 5 1/8"W  
**Dimension** 26"L x 12 3/4"W x 11 1/2"H