



TRIM

TE162

HOUSING

- 18 gauge powder coated steel housing
- Remodel housing complete with adjustable mounting clips suitable for 1/2" and 5/8" drywall
- New construction plate, insulated ceiling box and airtight IC box sold separately (refer to housing options) *

TRIM

- Extruded 6063 aluminum trim
- Powder coated finish
- Available in black, white and platinum

LAMPING

- 2 x 50W max. PAR20 (not included)
- Horizontal adjustment: 0° - 35°

ELECTRICAL

- Integral electrical junction box
- Junction box has two 1/2" and four 3/4" knockouts for through branch circuit wiring
- Thermally protected
- Input voltage: 120V

DIMENSIONS

- Cut hole: 9 1/2"L x 5 1/8"W
- Fixture: 10 1/2"L x 6 1/8"W x 6 1/4"H

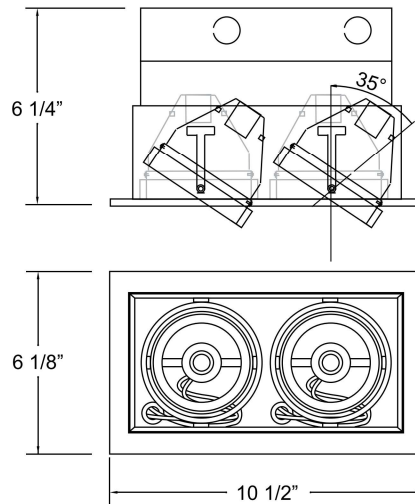
CUSTOMIZATION

- For customization, please consult Eurofase



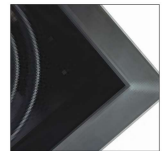
*LED COMPATIBLE

PRODUCT DIMENSION:

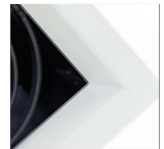


9 1/2"L x 5 1/8"W

FINISHES:



-01 Black/Black



-02 White/Black



-22 White/White



-0N Platinum/Black

ORDERING GUIDE:

MODEL	FINISH
TE162	-01 Black/Black
	-02 White/Black
	-22 White/White
	-0N Platinum/Black

EXAMPLE: TE162-01

***HOUSING OPTIONS (SOLD SEPARATELY):**

Refer to page 138 for housing specification

24052-016

NEW CONSTRUCTION PLATE



Cut Hole 9 1/2"L x 5 1/8"W
Dimension 17"L x 12 3/4"W x 1 3/8"H

30367-012
24072-014

AIRTIGHT IC BOX
INSULATED CEILING BOX



Cut Hole 9 1/2"L x 5 1/8"W
Dimension 17"L x 12 3/4"W x 11 1/2"H

