



**TRIM**

**TE166A**

**HOUSING**

- 18 gauge powder coated steel housing
- Remodel housing complete with adjustable mounting clips suitable for 1/2" and 5/8" drywall
- New construction plate, insulated ceiling box and airtight IC box sold separately (refer to housing options) \*

**TRIM**

- Extruded 6063 aluminum trim
- Powder coated finish
- Available in black, white and platinum

**LAMPING**

- 6 x 50W max. PAR20 (not included)
- Horizontal adjustment: 0° - 35°

**ELECTRICAL**

- Integral electrical junction box
- Junction box has two 1/2" and four 3/4" knockouts for through branch circuit wiring
- Thermally protected
- Input voltage: 120V

**DIMENSIONS**

- Cut hole: 25 1/4"L x 5 1/8"W
- Fixture: 26 1/4"L x 6 1/8"W x 6 5/16"H

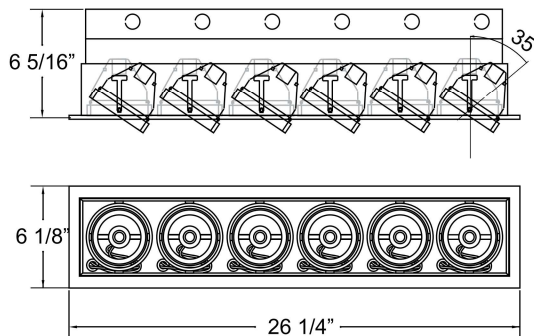
**CUSTOMIZATION**

- For customization, please consult Eurofase



\*LED COMPATIBLE

**PRODUCT DIMENSION:**

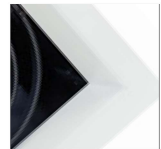


25 1/4"L x 5 1/8"W

**FINISHES:**



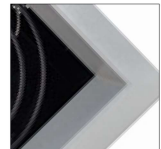
-01 Black/Black



-02 White/Black



-22 White/White



-0N Platinum/Black

**ORDERING GUIDE:**

MODEL	FINISH
<b>TE166A</b>	-01 Black/Black
	-02 White/Black
	-22 White/White
	-0N Platinum/Black

**EXAMPLE:** TE166A-01

**\*HOUSING OPTIONS (SOLD SEPARATELY):**

Refer to page 144 for housing specification

**24056-014**

**NEW CONSTRUCTION PLATE**



Cut Hole 25 1/4"L x 5 1/8"W  
Dimension 37 1/2"L x 12 3/4"W x 1 3/8"H

**30371-019**  
**24076-012**

**AIRTIGHT IC BOX**  
**INSULATED CEILING BOX**



Cut Hole 25 1/4"L x 5 1/8"W  
Dimension 37 1/2"L x 12 3/4"W x 11 1/2"H

