

## TE211, 1-LIGHT, TRIMLESS MULTIPLE RECESSED, MR16

### PRODUCT DETAILS

No.	:	TE211-02
Product Color	:	WHITE
Length	:	4"
Width	:	4"
Height	:	5.1875"
Weight	:	2lbs

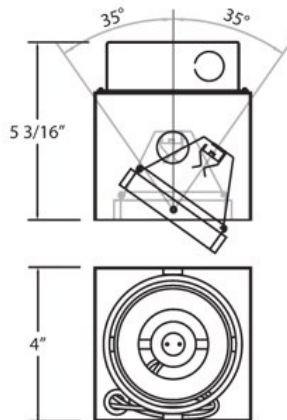
### LIGHT SOURCE DETAILS

Number of Bulbs	:	1
Light Source	:	Halogen
Light Source Type	:	MR16
Input Voltage	:	120V
Bulb Voltage	:	12V
Socket Type	:	GU5.3
Wattage	:	50W
Total Wattage	:	50W
Bulb Included	:	No
Dimmable	:	Yes



### OPTIONS AVAILABLE

ITEM NO.	FINISH	SHADE
TE211-02	WHITE	



### TECHNICAL DETAILS

Location	:	DRY
Approval	:	
Horizontal Adjustment	:	35
Cut Hole Length	:	4.188"
Cut Hole Width	:	4.188"

### PROJECT INFORMATION

 Job Name:     Date:     Type: 

 Comments:

## TE212TR, 2-LIGHT, TRIMLESS MULTIPLE RECESSED, W/TRANSFORMER



### PRODUCT DETAILS

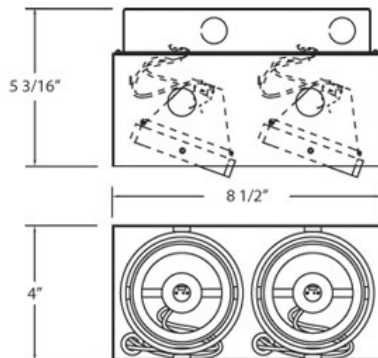
No.	:	TE212TR-01
Product Color	:	BLACK
Length	:	8.5"
Width	:	4"
Height	:	5.1875"

### LIGHT SOURCE DETAILS

Number of Bulbs	:	2
Light Source	:	Halogen
Light Source Type	:	MR16
Input Voltage	:	120V
Bulb Voltage	:	12V
Socket Type	:	GU5.3
Wattage	:	50W
Total Wattage	:	100W
Bulb Included	:	No
Dimmable	:	Yes

### OPTIONS AVAILABLE

ITEM NO.	FINISH	SHADE
TE212TR-01	BLACK	



### TECHNICAL DETAILS

Location	:	DRY
Approval	:	
Horizontal Adjustment	:	35
Cut Hole Length	:	8.375"
Cut Hole Width	:	4.188"

### PROJECT INFORMATION

Job Name:  Date:  Type:

Comments:

## TE213TR, 3-LIGHT, TRIMLESS MULTIPLE RECESSED, W/T TRANSFORMER



### PRODUCT DETAILS

No.	:	TE213TR-01
Product Color	:	BLACK
Length	:	12.0625"
Width	:	4"
Height	:	5.25"

### LIGHT SOURCE DETAILS

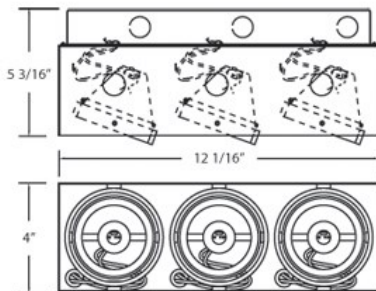
Number of Bulbs	:	3
Light Source	:	Halogen
Light Source Type	:	MR16
Input Voltage	:	120V
Bulb Voltage	:	12V
Socket Type	:	GU5.3
Wattage	:	50W
Total Wattage	:	150W
Bulb Included	:	No
Dimmable	:	Yes

### OPTIONS AVAILABLE

ITEM NO.	FINISH	SHADE
TE213TR-01	BLACK	
TE213TR-02	WHITE	

### TECHNICAL DETAILS

Location	:	DRY
Approval	:	
Horizontal Adjustment	:	35
Cut Hole Length	:	12.375"
Cut Hole Width	:	4.188"



### PROJECT INFORMATION

Job Name:  Date:  Type:

Comments: