



## TRIMLESS



\*LED COMPATIBLE

### TE222

#### HOUSING

- 18 gauge powder coated steel housing
- Remodel housing complete with adjustable mounting clips suitable for 1/2" and 5/8" drywall
- New construction plate, insulated ceiling box and airtight IC box sold separately (refer to housing options) \*

#### MESH PLATE

- Steel mesh plate (included)
- Perforated perimeter allows mud to bond to mounting surface leaving a seamless finish in the ceiling

#### LAMPING

- 2 x 75W max. PAR30 (not included)
- Horizontal adjustment: 0° - 35°
- Adjustable socket holder accommodates both long and short neck lamping

#### ELECTRICAL

- Integral electrical junction box
- Junction box has two 1/2" and four 3/4" knockouts for through branch circuit wiring
- Thermally protected
- Input voltage: 120V

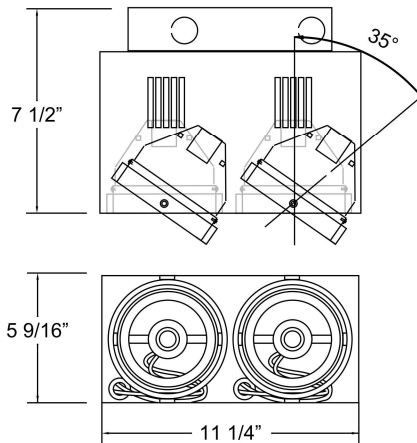
#### DIMENSIONS

- Cut hole: 11 5/8"L x 5 7/8"W
- Fixture: 11 1/4"L x 5 9/16"W x 7 1/2"H

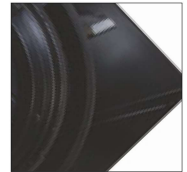
#### CUSTOMIZATION

- For customization, please consult Eurofase

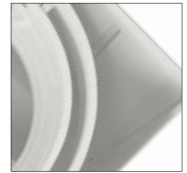
#### PRODUCT DIMENSION:



#### FINISHES:



-01 Black/Black



-02 White/White

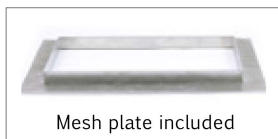


11 5/8"L x 5 7/8"W

#### ORDERING GUIDE:

MODEL	FINISH
TE222	-01 Black/Black
	-02 White/White

EXAMPLE: TE222-01



Mesh plate included

#### \*HOUSING OPTIONS (SOLD SEPARATELY):

Refer to page 147 for housing specification

31424-011

NEW CONSTRUCTION PLATE

31426-015

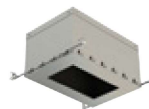
AIRTIGHT IC BOX

31425-018

INSULATED CEILING BOX



Cut Hole 11 5/8"L x 5 7/8"W  
Dimension 18 1/4"L x 12 3/4"W x 1 3/8"H



Cut Hole 11 5/8"L x 5 7/8"W  
Dimension 18 1/4"L x 12 3/4"W x 11 1/2"H

