



TRIMLESS

TE223

HOUSING

- 18 gauge powder coated steel housing
- Remodel housing complete with adjustable mounting clips suitable for 1/2" and 5/8" drywall
- New construction plate, insulated ceiling box and airtight IC box sold separately (refer to housing options) *

MESH PLATE

- Steel mesh plate (included)
- Perforated perimeter allows mud to bond to mounting surface leaving a seamless finish in the ceiling

LAMPING

- 3 x 75W max. PAR30 (not included)
- Horizontal adjustment: 0° - 35°
- Adjustable socket holder accommodates both long and short neck lamping

ELECTRICAL

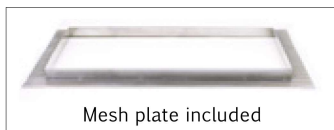
- Integral electrical junction box
- Junction box has two 1/2" and four 3/4" knockouts for through branch circuit wiring
- Thermally protected
- Input voltage: 120V

DIMENSIONS

- Cut hole: 17"L x 5 7/8"W
- Fixture: 16 11/16"L x 5 9/16"W x 7 3/8"H

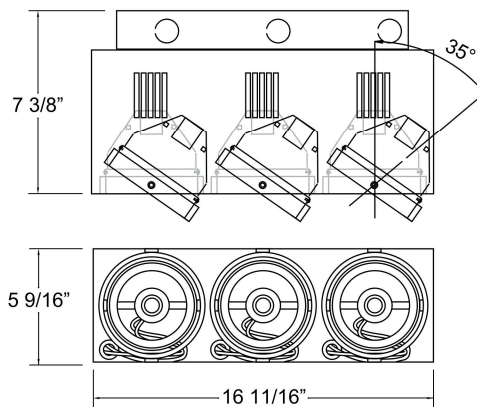
CUSTOMIZATION

- For customization, please consult Eurofase



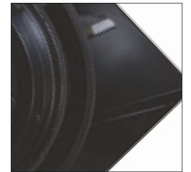
*LED COMPATIBLE

PRODUCT DIMENSION:

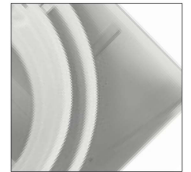


17"L x 5 7/8"W

FINISHES:



-01 Black/Black



-02 White/White

ORDERING GUIDE:

MODEL	FINISH
TE223	-01 Black/Black
	-02 White/White

EXAMPLE: TE223-01

*HOUSING OPTIONS (SOLD SEPARATELY):

Refer to page 147 for housing specification

31427-015

NEW CONSTRUCTION PLATE



Cut Hole 17"L x 5 7/8"W
Dimension 24"L x 12 3/4"W x 1 3/8"H

31429-016

AIRTIGHT IC BOX

31428-019

INSULATED CEILING BOX



Cut Hole 17"L x 5 7/8"W
Dimension 24"L x 12 3/4"W x 11 1/2"H

