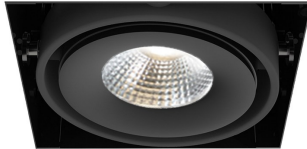


TE611LED, 1-LIGHT TRIMLESS LED MULTIPLE RECESS

PRODUCT DETAILS

No.	:	TE611LED-30-2-01
Product Color	:	BLACK
Length	:	4"
Width	:	4"
Height	:	5"




LIGHT SOURCE DETAILS

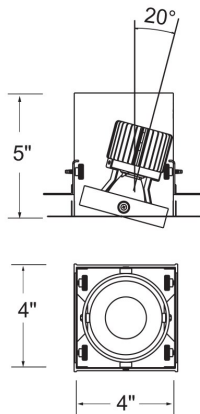
Light Source Type	:	INTEGRATED LED
Input Voltage	:	120V
Bulb Voltage	:	120V
Socket Type	:	LED
Total Wattage	:	15W
Initial Lumens	:	1290lm
Kelvin	:	3000K
CRI	:	90
Dimmable	:	Yes

OPTIONS AVAILABLE

ITEM NO.	FINISH	SHADE
TE611LED-30-2-01	BLACK	
TE611LED-30-2-02	WHITE	

TECHNICAL DETAILS

Driver	:	16.8W 350mA TRAIC DIMMING I/P: 120V AC 60Hz ;O/P:DC 30-48V Size:L85 W54 H32.5mm
Location	:	DRY
Approval	:	
Title 24	:	Yes
Beam Angle	:	20
Cut Hole Length	:	4.188"
Cut Hole Width	:	4.188"



PROJECT INFORMATION

 Job Name: Date: Type:

 Comments:

TE612LED, 2-LIGHT TRIMLESS LED MULTIPLE RECESS

PRODUCT DETAILS

No.	:	TE612LED-30-2-01
Product Color	:	BLACK
Length	:	8.25"
Width	:	4"
Height	:	5"

LIGHT SOURCE DETAILS


Light Source Type	:	INTEGRATED LED
Input Voltage	:	120V
Bulb Voltage	:	120V
Socket Type	:	LED
Total Wattage	:	30W
Initial Lumens	:	2580lm
Kelvin	:	3000K
CRI	:	90
Dimmable	:	Yes

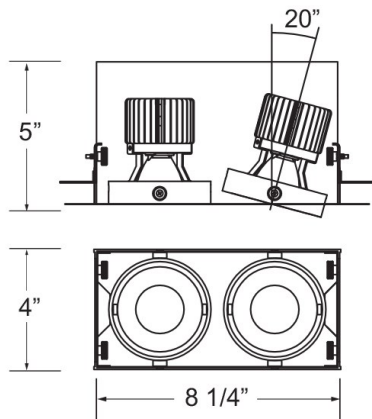


OPTIONS AVAILABLE

ITEM NO.	FINISH	SHADE
TE612LED-30-2-01	BLACK	
TE612LED-30-2-02	WHITE	

TECHNICAL DETAILS

Driver	:	ES 16.8W Current Driver
Location	:	DRY
Approval	:	
Title 24	:	Yes
Beam Angle	:	20
Cut Hole Length	:	8.563"
Cut Hole Width	:	4.188"



PROJECT INFORMATION

 Job Name: Date: Type:

 Comments:

TE613LED, 3-LIGHT TRIMLESS LED MULTIPLE RECESS

PRODUCT DETAILS

No.	:	TE613LED-30-2-01
Product Color	:	BLACK
Length	:	12.1875"
Width	:	4"
Height	:	5"




LIGHT SOURCE DETAILS

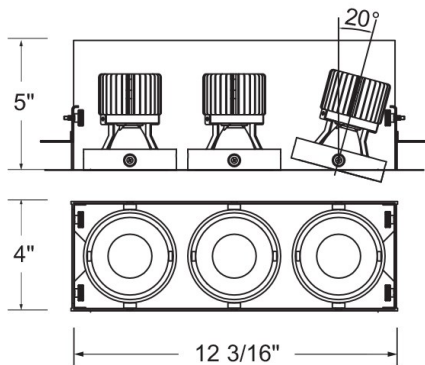
Light Source Type	:	INTEGRATED LED
Input Voltage	:	120V
Bulb Voltage	:	120V
Socket Type	:	LED
Total Wattage	:	45W
Initial Lumens	:	3870lm
Kelvin	:	3000K
CRI	:	90
Dimmable	:	Yes

OPTIONS AVAILABLE

ITEM NO.	FINISH	SHADE
TE613LED-30-2-01	BLACK	
TE613LED-30-2-02	WHITE	

TECHNICAL DETAILS

Driver	:	ES 16.8W Current Driver
Location	:	DRY
Approval	:	
Title 24	:	Yes
Beam Angle	:	20
Cut Hole Length	:	12.375"
Cut Hole Width	:	4.188"



PROJECT INFORMATION

 Job Name: Date: Type:

 Comments: