

**MODEL NAME** **FGM4-3K**  
**PIVOT**  
**4-Inch Flat Gimbal Recessed**

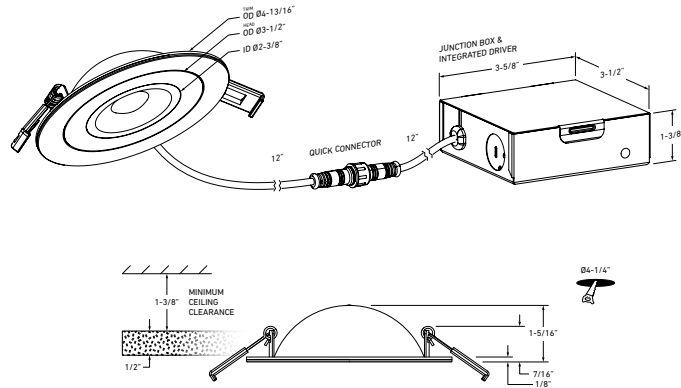
With powerful lumen output and the ability to direct light with a 360° rotation and a 90° tilt angle, this product will meet your every need.



**PROJECT:** \_\_\_\_\_ **TYPE:** \_\_\_\_\_

**DATE:** \_\_\_\_\_ **QTY:** \_\_\_\_\_

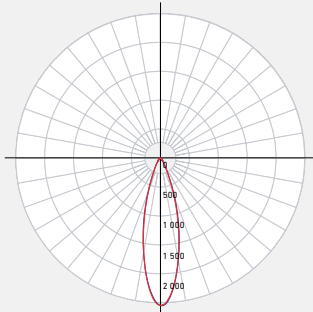
**NOTES:**



**QUICK SPECS**

SIZE	WATTS	DELIVERED LUMENS*	COLOR °T	CRI	VOLTAGE	BEAM ANGLE	FINISH
4"	9W	700lm	3000K	90	120V	40°	<input type="radio"/> White <input type="radio"/> Satin Nickel <input type="radio"/> Black

**LIGHT DISTRIBUTION**



<b>CONSTRUCTION</b>	<b>Lens</b> Clear	<b>Type of optics</b> Optical lens	<b>Type of LED</b> COB
	<b>Lens material</b> Acrylic	<b>Housing material</b> Cast aluminum	<b>Cut hole size</b> 4-1/4"

<b>RATINGS</b>	<b>Placement</b> Indoor	<b>Lifespan</b> 50,000 hrs.	<b>FT rating</b> FT6
	<b>Location</b> Damp	<b>Certifications</b> ETL, FCC, ICES, ES IC, ASTM E283-04, T24	<b>Operating temperature</b> -20° to 40° C

**WHAT'S IN THE BOX**

- LED recessed fixture
- Junction box
- Push-in wire connectors
- Mounting hardware
- Instruction sheet

**ACCESSORIES**

- [RFP-UNI](#)  
Universal Drilling Plate
- [RFP-46](#)  
Drilling Plate

**ADAPTERS**

- [REC-EXT108](#)  
108" extension cord for recessed fixtures
- [REC-EXT230](#)  
230" extension cord for recessed fixtures



**ELECTRICAL  
DETAILS**

**Input voltage**  
108-135V

**Output current**  
380mA

**Power factor**  
97%

**Driver type**  
Constant current

**Output voltage**  
18-24V

**LED model #**  
COB

**THD harmonic  
distortion**  
<30%

**Binning type**  
3 SDCM

**FEATURES**

Every fixture includes a junction box with an integrated driver

Superior LED performance and lifespan

Minimal heat emission

Clear lens

Can be daisy chained

Smooth 360° wide spread

Low profile

**WARRANTY**

DALS offers a 5-year warranty from the date of purchase which covers repairs or replacement of defective parts of the housing, optics, and electronics. To contact DALS customer service call 1-877-430-1818 or send an e-mail to [info@dals.com](mailto:info@dals.com).

**RECOMMENDED DIMMER LIST\***

BRAND	MODEL #	DIMMER SPECS	GRADE	DIMMING RANGE (%)	MAX LOAD
Dals	SM-DIMSW Smart Dimmer	Triac, 250W LED/CFL	Compatible	Min: 7 / Max: 100	27
Lutron	DVCL-153PR-WH-C	Triac, 150 W Dimmable CFL/LED	Compatible	Min: 7 / Max: 100	16
Lutron	CTCL-153PDH-WH-C	Triac, 150 W Dimmable CFL/LED	Compatible	Min: 6 / Max: 100	16
Lutron	STCL-153PH-WH-C	Triac, 150 W Dimmable CFL/LED	Compatible	Min: 3 / Max: 100	16
Lutron	DVWCL-153PH-WHC	Triac, 150 W Dimmable CFL/LED	Compatible	Min: 6 / Max: 100	16
Lutron	MACL-153MRHW-WHC	Triac, 150 W Dimmable CFL/LED	Compatible	Min: 1 / Max: 100	16
Lutron	DVELV-300P-WH	300W electronic low voltage dimmer	Compatible	Min: 10 / Max: 99	33
Lutron	MA-PRO-WH	ELV, 250W LED/CFL	Compatible	Min: 3 / Max: 100	27
Lutron	Caseta PD-6WCL-WH-R-C	Triac, 300W Dimmable CFL/LED	Compatible	Min: 3 / Max: 100	33
Lutron	Caseta PD-5NE-WH-C	ELV, LED—up to 250 W	Compatible	Min: 5 / Max: 100	27
Lutron	Caseta PD-10NXD-WH	Triac, LED—up to 250 W	Compatible	Min: 2 / Max: 100	27
Leviton	6672-1LW	Triac, 150W Dimmable CFL/LED	Compatible	Min: 24 / Max: 100	16
Leviton	DSM10	Triac, 450W Dimmable CFL/LED	Compatible	Min: 19 / Max: 100	50
Leviton	6674	Triac, 150 W Dimmable CFL/LED	Compatible	Min: 9 / Max: 100	16
Leviton	IPL06-10Z	Triac, 150 W Dimmable CFL/LED	Compatible	Min: 14 / Max: 100	16
Leviton	DSL06-752	Triac, 150 W Dimmable CFL/LED	Compatible	Min: 14 / Max: 100	16
Leviton	D26HD-742-1RW	Triac, 300W LED/CFL	Compatible	Min: 10 / Max: 100	33
Legrand	RHCL453PNICCV4	Triac, 450W Dimmable CFL/LED	Compatible	Min: 11 / Max: 100	50
Legrand	ADTP703TUM4	Triac, 450W Dimmable CFL/LED	Compatible	Min: 11 / Max: 95	50
Legrand	ADPD453LM2	Triac, 450W Dimmable CFL/LED	Compatible	Min: 33 / Max: 100	50
Legrand	RHL373PW	Triac, 250W LED	Compatible	Min: 8 / Max: 100	27
Control 4	C4-APD120-WH	ELV, 120W LED	Compatible	Min: 1 / Max: 100	13
Control 4	C4-FPD120-WH	Triac, 200W LED	Compatible	Min: 1 / Max: 100	22

\* Minimal buzzing noise may occur with some dimmers