

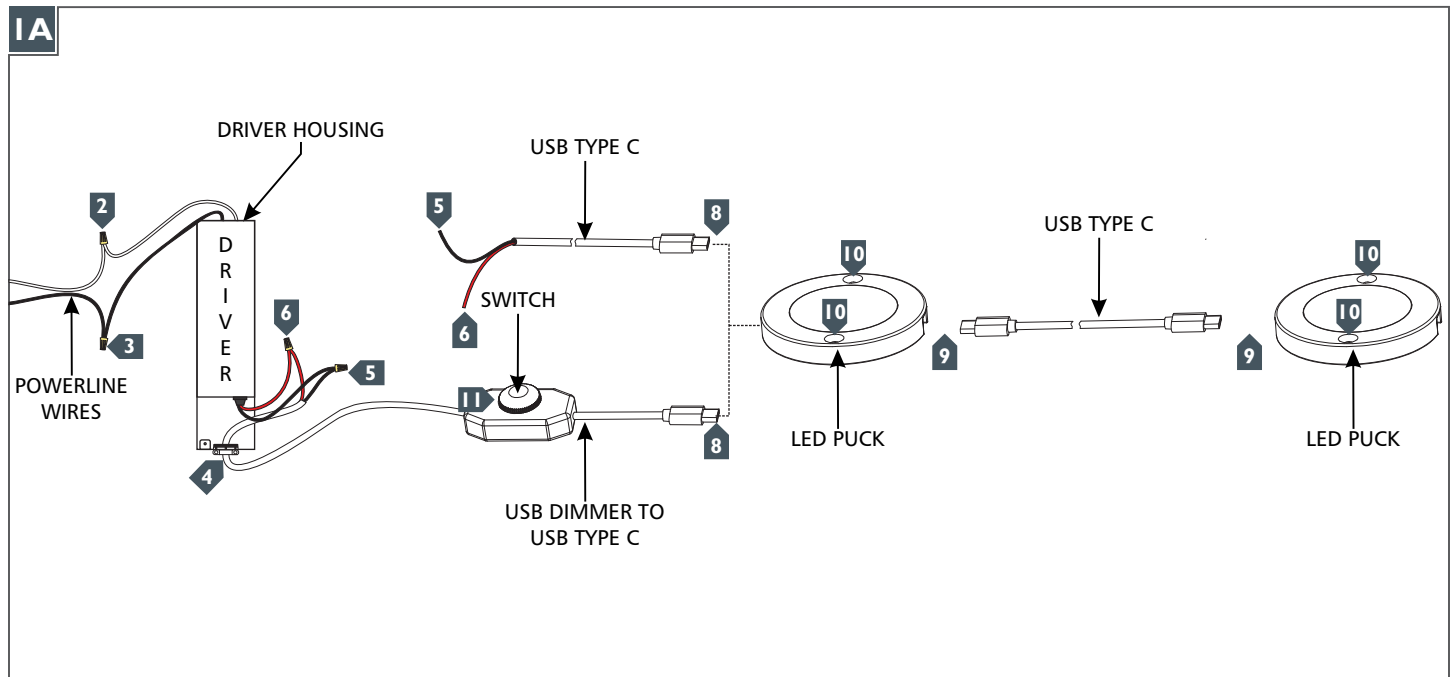
3" Round LED Puck Lights (Wired)**984218S, 984230S | 1.0****VISUAL COMFORT & Co.**

GENERATION COLLECTION

GENERAL PRODUCT INFORMATION:

This product is safety listed for damp locations.

This instruction shows a typical installation.

SAVE THESE INSTRUCTIONS!**Install the LED Puck**

- 1** Determine the length of the fixture run(s).
- 2** Connect the red driver input wire to the hot power line wire with a wire nut.
- 3** Connect the white driver input wire to the neutral power line wire with a wire nut.
- 4** Feed the USB Type C Cable or USB Dimmer to USB Type C Cable into the driver housing.
- 5** Connect the black driver output wire to the black USB Type C Cable or USB Dimmer to USB Type C Cable wire with a wire nut.
- 6** Connect the red driver output wire to the red USB Type C Cable or USB Dimmer to USB Type C Cable wire with a wire nut.
- 7** Place the driver housing and wire nut connections in a proper location.
- 8** Connect the USB Type C Cable or USB Dimmer to USB Type C Cable to a LED Puck.
- 9** If connecting more LED Pucks, use another USB Type C Cable to connect from one LED Puck to the other. Repeat this step for additional LED Pucks being using in the same run. **NOTE: For the 30W Model, use a maximum of 8 LED Pucks per run. For the 18W Model, use a maximum of 4 LED Pucks per run. An additional Driver will be required when the limit is exceeded for each run.**
- 10** Secure each LED Puck to the mounting surface using the provided screws (not shown).
- 11** If using a dimmer, use the switch on the dimmer to adjust the light settings.

VISUAL COMFORT & Co.

7400 Linder Ave., Skokie, IL 60077

T 847.410.4400 | F 847.410.4500

www.visualcomfort.com