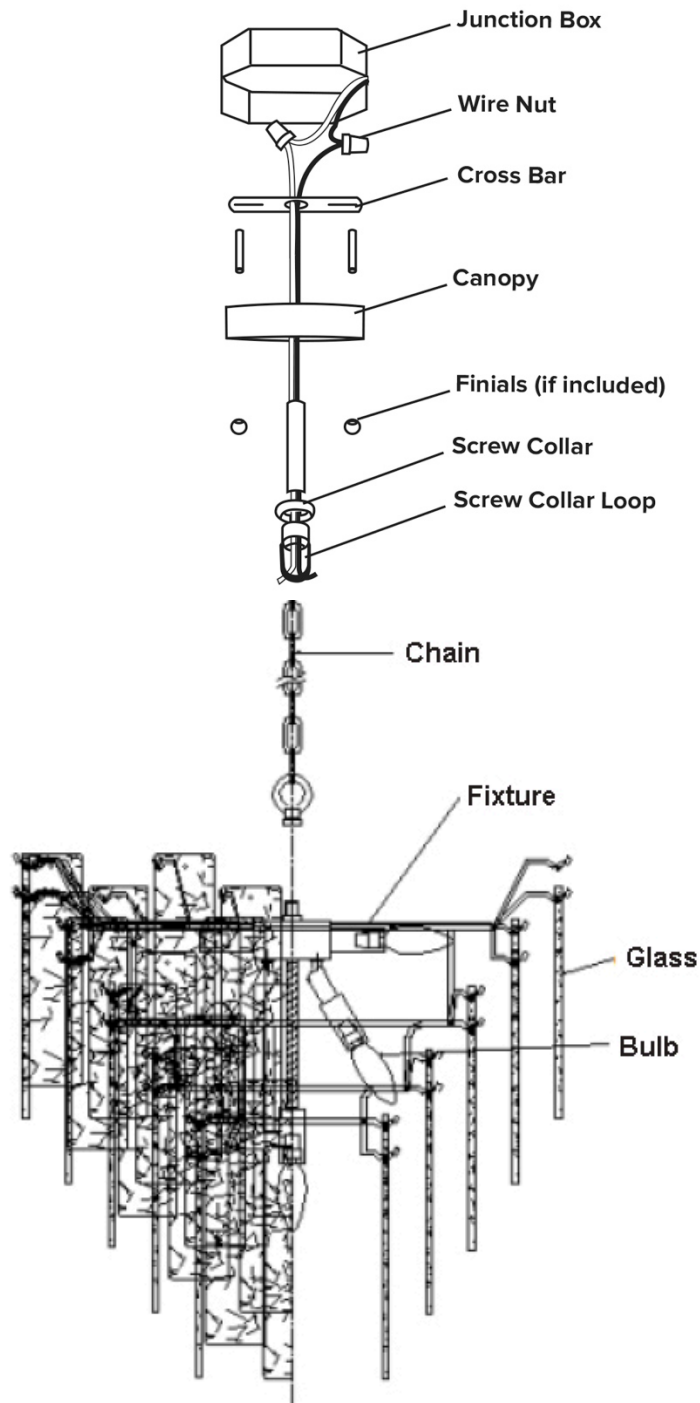


**Figure 1**



# REGINA ANDREW

DETROIT

## ITEM NO: 16-1291 Glacier Chandelier Small

**CAREFULLY INSPECT THE ITEM BEFORE INSTALLATION.**

**WE STRONGLY RECOMMEND THE ITEM BE INSTALLED BY A LICENSED ELECTRICIAN.** These instructions are provided for your safety. It is very important that they are read completely before beginning the installation of your fixture.

### ASSEMBLY INSTRUCTIONS

#### FOR WIRING DIRECTLY INTO THE JUNCTION BOX (Figure1)

1. Turn off the breaker to the junction box at the electrical panel.
2. Inspect all parts and inventory, making sure to check all sides of the packaging for additional parts.
3. Determine the desired height of the fixture and assemble the appropriate amount of extension rods and/ or chain.
4. Trim the electrical cords to length, making sure to leave an extra 6-10 inches to make all connections.
5. Install the crossbar with the attached screw collar loop onto the junction box with the included machine screws.
6. Carefully slide the screw collar, followed by the canopy through all electrical, extension tubes and/ or chain.
7. Support the fixture to the screw collar loop using the included quick links.
8. Run all electrical through the screw collar loop into the junction box. Attach ground wire from fixture to ground wire from junction box. Fasten wires together with wire nut and tightly wrap connection with electrical tape. Attach hot wire from fixture (black color or smooth side of wire) to hot wire from junction box. Fasten wires together with wire nut and tightly wrap connection with electrical tape. Attach neutral wire from fixture (white in color or ribbed side of wire) to neutral wire from junction box. Fasten wires together with wire nut and tightly wrap connection with electrical tape. Carefully push wire connections back into ceiling junction box.
9. Carefully slide the canopy up over any extensions and / or chain and secure it to the ceiling by threading the screw collar onto the screw collar loop.
10. Assemble all additional decorative parts and bulbs.
11. Turn the breaker to the junction box back on and enjoy.

Made in China