

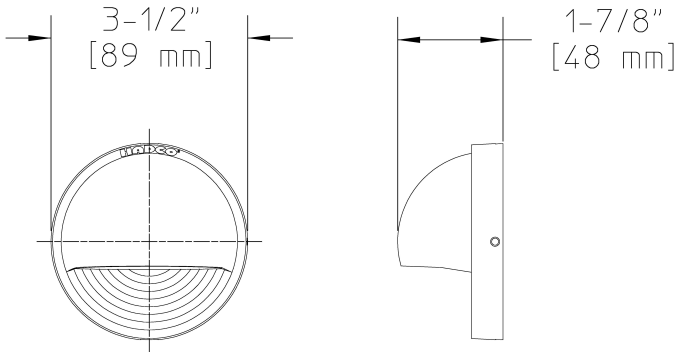
# Composite Deck Light (DUL1) Specification Sheet

Project Name:	Location:	MFG: Philips Hadco
Fixture Type:	Catalog No.:	Qty:

## Ordering Guide

Example: DUL1 A

Product Code	DUL1	Composite Deck Light
Finish	A	Black
	G	Verde
	H	Bronze



## Specifications

### HOUSING:

One-piece injection molded ULTEM® High Performance Polymer composite. Fasteners are 300 series stainless steel.

### FINISH:

Composite is textured, pressure formed, molded-in-color.

### OPTICAL ASSEMBLY:

Frosted, annealed glass lens Reflector is Stamped Hammertone Aluminum

### LAMPING:

10W maximum T3 bi-pin lamp. 10W T3 lamp is included with fixture. Lower wattage lamps are acceptable.

### ELECTRICAL ASSEMBLY:

Bi-pin socket type (G4) with 250° C high temperature teflon coated wire leads. 12 volt fixture is pre-wired with 6-ft. pigtail of 18-2 AWG, 105° C, SPT-1W wire. Low voltage quick connector, catalog #LVC3 included for easy hook-up to the low voltage supply cable, not included. 12 Volt system requires remote transformer, not included.

### INSTALLATION & MOUNTING:

Two (2) Stainless #8 wood screws (supplied) via key slots.

### WARRANTY:

Ten-year limited warranty.

### CERTIFICATIONS:

ETL listed to U.S. safety standards for wet locations. cETL listed to Canadian safety standards for wet locations. Manufactured to ISO 9001:2008 Standards.

### Height :

3 1/2" (89mm)

### Width:

3 1/2" (89mm)

### Depth:

1 7/8" (48mm)

### Max. Weight:

0.20 lb