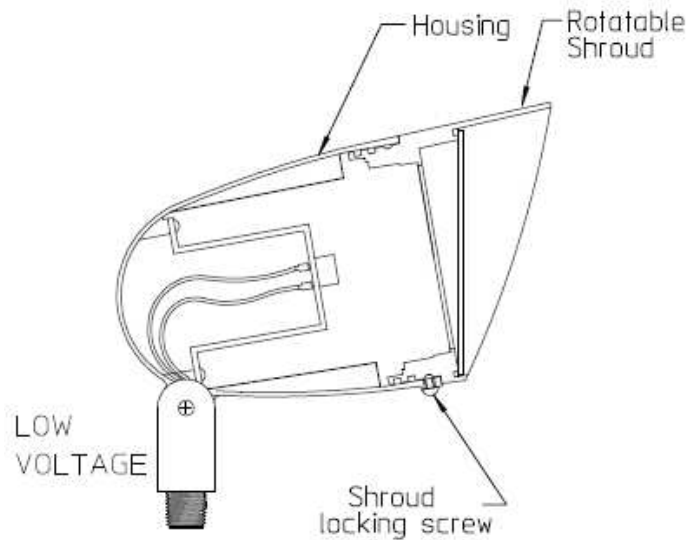
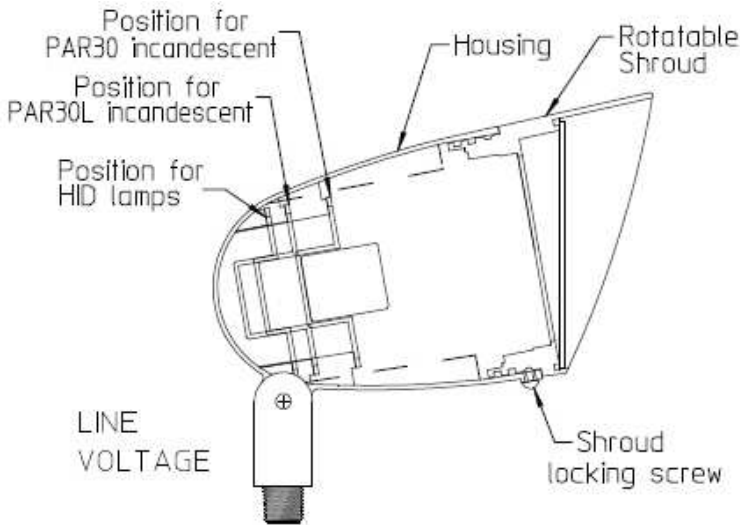


INSTALLATION INSTRUCTIONS: MEDIUM COMPOSITE AND ALUMINUM BULLYTES



The following lamps may be used in the 120V aluminum bullytes:

PAR30L 100W 120V NSP, SP, NFL, FL
PAR30 100W 120V NSP, NFL, FL, WFL
PAR30L 100W 120V METAL HALIDE SP, FL
or any of the lamps listed below.

The following lamps may be used in the 120V composite bullytes:

PAR30L 75W 120V NSP, SP, NFL, FL
PAR30L 50W 120V NSP, SP, NFL, FL
PAR30 50W 120V NSP, NFL, FL, WFL
PAR30 75W 120V NSP, NFL, FL
PAR30L 35W 120V METAL HALIDE SP, FL*
PAR30L 70W 120V METAL HALIDE SP, FL*
T6 70W MAX 120V METAL HALIDE SP, NFL, FL*

*NOTE: For HID lamp operation, fixture must be wired to a remote ballast. See catalog for ballasts.

† NOTE: For 12V low voltage lamp operation, fixture must be wired to a low voltage transformer. See catalog for transformers.

The following lamps may be used in the 12V aluminum bullytes:

MR16 75W (or lower) 12V NSP, MFL, FL †



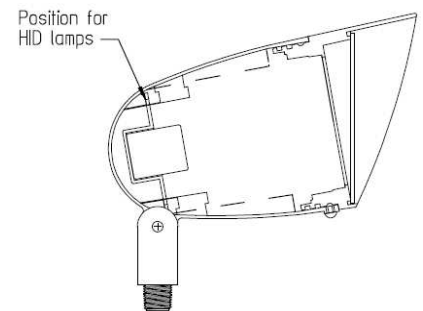
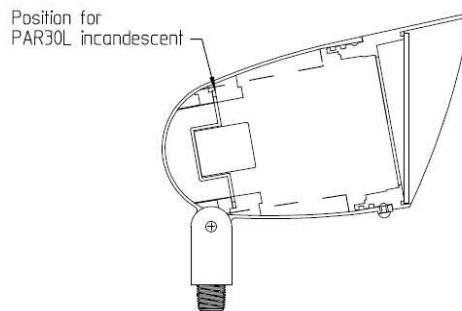
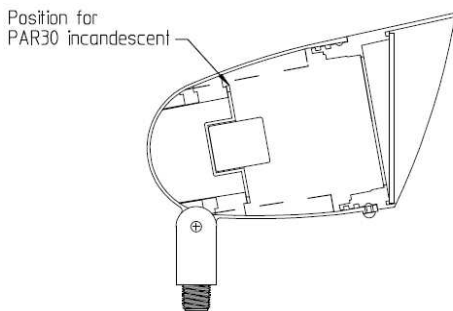
This fixture is intended for installation in accordance with the National Electrical Code and local code specifications. Failure to adhere to these codes and instructions may result in serious injury and/or damage to the ballast and void the warranty. These instructions do not purport to cover all details or variations in equipment, nor to provide for every possible contingency related to installation, operation, maintenance, or mounting situation. Should specific problems occur that are not addressed by these instructions, contact your Sales Representative or distributor for assistance. Retain these instructions for future reference.



INSTRUCTIONS PERTAINING TO A RISK OF FIRE OR INJURY TO PERSONS-IMPORTANT SAFETY INSTRUCTIONS
Lighted lamp is HOT! WARNING- To reduce the risk of FIRE OR INJURY TO PERSONS: Turn off/unplug and allow to cool before replacing lamp. Lamp gets HOT quickly! Contact only switch/plug when turning on. Do not touch hot lens, guard, or enclosure (see diagram/picture). Keep lamp away from materials that may burn. Do not touch the lamp at any time. Use a soft cloth. Oil from skin may damage lamp. Do not operate the luminaire fitting with a missing or damaged shield. SAVE THESE INSTRUCTIONS. Xenon lamps do not require additional shielding.

120V INSTALLATION INSTRUCTIONS

1. Make sure power is OFF before installing or servicing this fixture.
2. The fixture must be mounted to a UL listed junction box, mounting stake or inground ballast box. Stake S3 may be used, or boxes M0029, B11, B12, B13, B14, CB1, TM2, or any IBH ballast box.
3. Thread wires through hole in stake cap or junction box lid. Screw arm of fixture onto stake cap or lid. Lock into desired position by tightening arm locknut.
4. Connect white supply wire to white fixture wire, black supply wire to black fixture wire, and supply ground wire to fixture ground wire. Use wire connectors (not supplied) to secure connections. For HID applications, follow wiring diagram on ballast.
5. Attach cap/lid to stake/box, making sure not to pinch wires.
6. If fixture includes a shroud, loosen the shroud screw and remove the shroud.
7. Adjust socket bracket by loosening screws, removing bracket, and re-installing on correct height as noted. Refer to illustrations below to see socket bracket location.
 - a. For PAR30 incandescent lamp, socket bracket must be mounted on the tallest bosses.
 - b. For PAR30L incandescent lamp, socket bracket must be mounted to the middle bosses.
 - c. For all HID lamps, socket bracket must be mounted on the shortest bosses.



8. Install specified lamp according to lamp label on fixture and/or the chart on the front of this sheet.
9. If shroud was included, or purchased separately, put shroud on fixture and tighten shroud screw.
10. Loosen screw in arm, aim fixture as desired, and tighten arm screw.
11. Turn power ON.

12V INSTALLATION INSTRUCTIONS

1. Make sure to turn power OFF before installing or servicing this fixture.
2. This fixture must be mounted to a stake, junction box or canopy that is UL listed for low voltage and wet locations. Hadco recommends our mounting stakes S1, S3, S6, S7, or S8 or to boxes M0029, B11, B12, B13 or B14 or to canopies TM1, TM2, TMC2 or MC1.
3. Thread fixture onto chosen UL approved mounting accessory (ordered separately) and tighten locknut.
4. Wire fixture following instructions for low voltage connector (included) on the next page.
5. Loosen shroud screw and remove shroud by turning and pulling off.
6. Install specified lamp.
7. Replace the shroud by turning and pushing it into place. Shroud will help center lamp. Tighten locking screw.
8. Loosen screw in arm, aim fixture as desired, and tighten screw.
9. Turn power on.

FOR USE ONLY WITH LOW VOLTAGE LANDSCAPE LIGHTING POWER UNITS THAT ARE RATED MAXIMUM 25 AMPS, 15 VOLTS PER CIRCUIT.

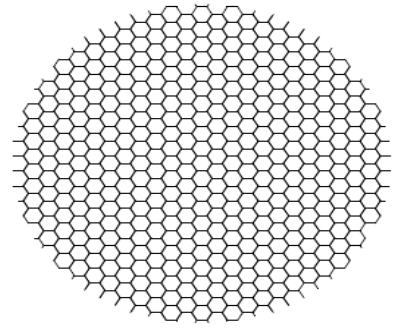
DO NOT INSTALL FIXTURE WITHIN 10 FEET (3.05 METERS) OF A POOL, SPA OR FOUNTAIN.

ACCESSORY ML3/ML31 LOUVER

1. To install cut-off louver accessory, press into back of shroud behind lens before replacing shroud on fixture.

*ML3 - For aluminum shrouds

*ML31 - For composite shrouds



LOW VOLTAGE CABLE CONNECTOR INSTRUCTIONS

Low voltage cable connector to be used with 10 or 12 gauge supply cable and 18 gauge fixture cable. Philips recommends using SPT-3 water resistant (marked "WA", "W" or similar marking) supply cable such as our SCW500-10/BSCW500-10 or our SCW100-12/BSCW100-12. Philips also recommends ordering the entire system, which includes the power console (maximum 25 Amps, 15 Volts per circuit), fixture(s) (low voltage cable connector included) and supply cable to ensure proper installation and operation.

When using our supply cable, it can be laid on top of the ground, placed under "ground cover" (that is, shallow burial less than 6 inches or 15.2 cm deep), or directly buried in accordance with the NEC. If not using our cable, per UL 1838-Standard for Low Voltage Landscape Lighting Systems, the secondary cable must be SPT-3 or suitable for wet locations, sunlight resistant and direct burial per UL 493 and sized per UL 1838, and it must be buried less than 6 inches (15.2 cm).

Philips recommends a minimum depth of 4 inches when burying in the lawn to prevent damage from aerators or other lawn plugging equipment.

The 18 gauge fixture cable (provided with fixture) must be protected by routing in close proximity to the fixture or secured to a building structure such as a house or deck. The fixture cable must be cut off so that it is connected to the low voltage cable connector within 6 inches (15.2 cm) of the fixture or the building structure. When making an underground connection to the 10 or 12 gauge supply cable (not provided), the fixture cable must not be buried more than 6 inches (15.2 cm).

WARNING-Mount the luminaire in or on non-combustible mounting surfaces only.

WARNING-Risk of Electric Shock. Install all luminaires 10 feet (3.05m) or more from a pool, spa, or fountain.

1. Connect the supply cable to the terminals on the power console (transformer) and turn ON.
2. Disassemble the connector by removing the Phillips head screw.
3. Inspect the connector to ensure the prongs are straight. If the prongs are bent, straighten with pliers.
4. Insert the end of the fixture cable into the square opening in the connector body. Bend wire over so that wire is laying in the recess marked '18 GA'. This will help hold the wire in place while performing steps 5 and 6. Only 2-wire cable is to be used and the common (smooth) wire and hot (ribbed) wires must be oriented as shown.
5. Press the supply cable into the recess marked '10,12/2 GA' on the connector body. Again the common (smooth) wires and the hot (ribbed) wires must be oriented as shown.
6. Press the connector cover onto the connector body, making sure the screw holes line up with each other.
7. Assemble the connector by tightening the Phillips head screw. NOTE: Make sure the metal prongs in the connector pierce all 4 wires; the fixture will light as the prongs pierce the wires.

