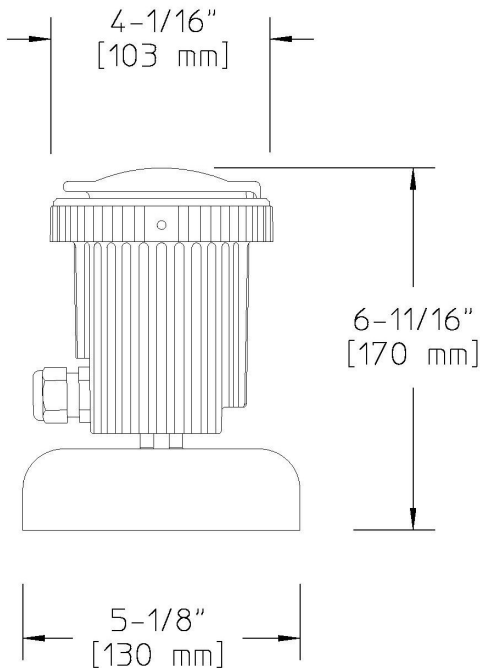


LED Composite Underwater (UWUL516) Specification Sheet

Project Name:	Location:	MFG: Philips Hadco
Fixture Type:	Catalog No.:	Qty:



Ordering Guide

Example: UWUL516 H LED7 NF W

Product Code	UWUL516	LED Composite Underwater
Finish	H	Bronze
Source/Lumens	LED7	7W LED
Optics	NF FL	Narrow Flood Flood
CCT	W	Warm

*1 Fixture will be shipped with lamp. Lamp not sold separately.

Specifications

HOUSING:

One-piece injection molded ULTEM® High Performance Polymer composite. Fasteners are 300 series stainless steel. Lens ring is a Single-piece injection molded ULTEM® High Performance Polymer with gasketed lens. Twist-off operation for ease of maintenance.

OPTICAL ASSEMBLY:

Clear tempered glass lens.

LAMPING:

7W lamp with 25° or 35° beam spread, 25,000 hours life. Color temperature (CCT): Warm White (3,000K nominal). No Mercury. Dimmable. Approximately 460 lumens.

ELECTRICAL ASSEMBLY:

Standard 10 ft. 18-2, 105° C, STWA water-resistant cord. Fixture is prewired and potted to prevent water entry. Bi-pin socket type (GU5.3) with 250° C high temperature teflon coated wire leads. 12 Volt system requires remote transformer, not included.

MOUNTING:

Weighted concrete with swivel to allow up to 90° aiming.

WARRANTY:

Five-year limited warranty.

CERTIFICATIONS:

ETL listed to U.S. safety standards for wet locations. cETL listed to Canadian safety standards for wet locations. Manufactured to ISO 9001:2008 Standards.

Height :

6 11/16" (170mm)

Width:

5 1/8" (130mm)

Max. Weight:

5.04 lb.