

HALO LED NON-IC HOUSING FOR NEW CONSTRUCTION OR REMODEL IN CHICAGO PLENUM CEILINGS WITH 0-10V DC DIMMING CONTROL WIRING for ML7-1200 Series LED

The H750TCPD010 is a dedicated LED new construction/remodel Non-IC housing to be used with HALO ML712x 1200 Series of LED modules for 0-10V DC dimming (2-low voltage control wires included). The H750TCPD010 is designed for Chicago Plenum ceilings. Insulation must be kept a minimum of 3" from all sides of housing. The LED connector system provides High Efficacy code compliance when used with designated HALO LED module and trims.

Catalog #		Type
Project		
Comments		Date
Prepared by		

SPECIFICATION FEATURES

Housing

Aluminum with white semi-gloss paint finish. H750TCPD010 is constructed and gasketed to meet Chicago CCEA requirements.

Plaster Frame

"Boat Shaped" plaster frame design for new construction or remodel in existing ceilings. Galvanized steel frame. Housing adjusts in plaster frame to accommodate up to 1" ceiling thickness.

Junction Box

- Separate compartment for 0-10V DC low voltage dimming connections
- Positioned to accommodate straight conduit runs.
- Seven 1/2" trade size conduit knockouts.

Bar Hangers

- Bar hangers overlap for housing adjustment within joist spans
- Crimp tabs on plaster frame lock bars into position.
- Optional TB-7 T-bar clips secure bar hangers to suspended grid ceilings

LED Module Connections

Power: Halo LED module simply installs with a plug-in line 120V-277V rated voltage wiring connector (UL and CSA Listed Luminaire Disconnect). This non-screw-base connection preserves the high efficacy rating and prevents use of low efficacy incandescent sources.

Dimming with ML7-1200 Series LED Modules:

The housing is pre-wired with two low voltage DC control wires - color coded violet and gray - for connection to 0-10V DC low voltage dimming controls. The Halo ML7-1200 Series LED module's 0-10V DC

dimming connector simply plugs into the pre-wired connector provided in the housing.

Labels

- UL/cUL 1598 Listed Luminaire
- Listed for Feed Through
- Listed for Damp Location
- Listed for Wet Location with select trims
- Rated for 25W maximum

Qualification

- City of Chicago Plenum Listing
- May be used for International Energy Conservation Code (IECC) - High Efficacy Compliance



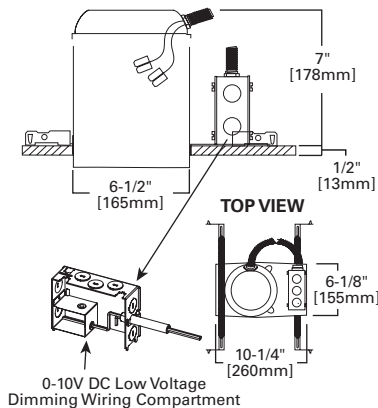
H750TCPD010

6" Non-IC New Construction/Remodel Chicago Plenum Housing with 0-10V DC Dimming Control Wiring For Halo ML7-1200 Series LED Modules ML712x Series and 49x Halo LED Series Trims

High Efficacy LED Housing

FOR USE IN NON-INSULATED CEILINGS

CAN BE USED IN INSULATED CEILINGS BUT INSULATION MUST BE KEPT 3" FROM ALL SIDES OF THE HOUSING



ORDERING INFORMATION - ML712 SERIES

SAMPLE NUMBER: H750TCPD010 - ML712827TUNVD010 - 494WB06
Order housing, light module, trim and separately.

Housing	LED Module	Color Temperature (Nominal CCT)	Ceiling and Dimming Type
H750TCPD010 = 6" Aperture, New Construction or Remodel, Non-IC, Chicago Plenum Rated, High Efficacy LED housing	ML7128 =6" LED Module, 1200 Series, 80 CRI	27 =2700K 30 =3000K 35 =3500K 40 =4000K	TUNVD010 =Non-IC Rated, 120V-277V Universal Voltage Driver with 0-10V DC Dimming

Trim Options ¹	Accessories
<p>Baffle Open Baffle, OD: 7-1/4" (184mm) 494WB06=White Baffle, White Trim Ring</p> <p>Solite® Regressed Glass Lens Baffle, OD: 7-1/4" (184mm) 493BBS06=Black Baffle with Solite® Lens, White Trim Ring, Shower Rated 493WBS06=White Baffle with Solite® Lens, White Trim Ring, Shower Rated</p> <p>Lensed Frosted Regressed Glass Lens, OD: 7-1/4" (184mm) 492PS06=White Baffle with Frost Lens and White Trim Ring, Shower Rated</p> <p>Reflector Open Reflector, OD: 7-1/4" (184mm) 494H06=Haze Reflector, White Trim Ring 494P06=White Reflector, White Trim Ring 494SC06=Specular Clear Reflector, White Trim Ring</p> <p>Solite® Regressed Glass Lens Reflector, OD: 7-1/4" (184mm) 493HS06=Haze Reflector with Solite® Lens, White Trim Ring, Shower Rated 493PS06=White Reflector with Solite® Lens, White Trim Ring, Shower Rated 493SCS06=Specular Clear Reflector with Solite® Lens, White Trim Ring, Shower Rated 493SNS06=Satin Nickel Reflector with Solite® Lens, Satin Nickel Trim Ring, Shower Rated 493TBZS06=Tuscan Bronze Reflector with Solite® Lens, Tuscan Bronze Trim Ring, Shower Rated</p> <p>Wall Wash 495WW06=Wall Wash with Semi-specular Clear Reflector, Specular Kick Reflector and Lens, White Trim Ring</p>	<p>Designer Trim Rings TRM490BK=Thin Profile Black Die-cast Trim Ring TRM490PC=Thin Profile Polished Chrome Die-cast Trim Ring TRM490SN=Thin Profile Satin Nickel Die-cast Trim Ring TRM490TBZ=Thin Profile Tuscan Bronze Die-cast Trim Ring TRM490WH=Thin Profile Matte White Die-cast Trim Ring</p> <p>Over-Optic Lenses 494OPTIC=6" Over-Optic Diffuse Polymer Lens for Use with Open LED Trims, Shower Rated (494 family)</p> <p>Oversize Trim Rings OT400P=Oversize White Metal Trim Ring, 6" I.D. x 9-1/4" O.D. OT403P=Oversize White Plastic Trim Ring, 6" I.D. x 8" O.D. OT490WH=Oversize White Die-cast Trim Ring, 6" I.D. x 9-1/4" O.D. (Attaches to LED module. Substitute for standard trim ring shipped with trims.)</p> <p>Retrofit ML7RAB=ML7 Retrofit adapter band kit - 4 pack (4 rings, 16 screws and 8 lever nuts). HE26LED=Replacement screwbase adapter to LED disconnect HE26LED24PK=Replacement screwbase adapter to LED disconnect, 24 pack - bulk</p>

Refer to Halo LED Module specification sheets for additional information.
Solite® is a registered trademark of AGC Flat Glass North America.

Note: Specifications and Dimensions subject to change without notice.
Visit our web site at www.cooperlighting.com

Customer First Center 1121 Highway 74 South Peachtree City, GA 30269 770.486.4800 FAX 770 486.4801
Cooper Lighting 5925 McLaughlin Rd. Mississauga, Ontario, Canada L5R 1B8 905.507.4000 FAX 905.568.7049