



HOVER

900760FMB-LWD

HOVER 60" LED FAN

| DETAILS | |
|-------------|-------------|
| FAN FINISH: | Matte Black |
| GLASS: | Etched Opal |

| DIMENSIONS | |
|------------|-------|
| WIDTH: | 60" |
| HEIGHT: | 17.3" |

| LIGHT SOURCE | |
|--------------|------|
| VOLTAGE: | 120v |

| MOUNTING | |
|------------|---------|
| CANOPY: | 6" Dia. |
| LEAD WIRE: | 76" |

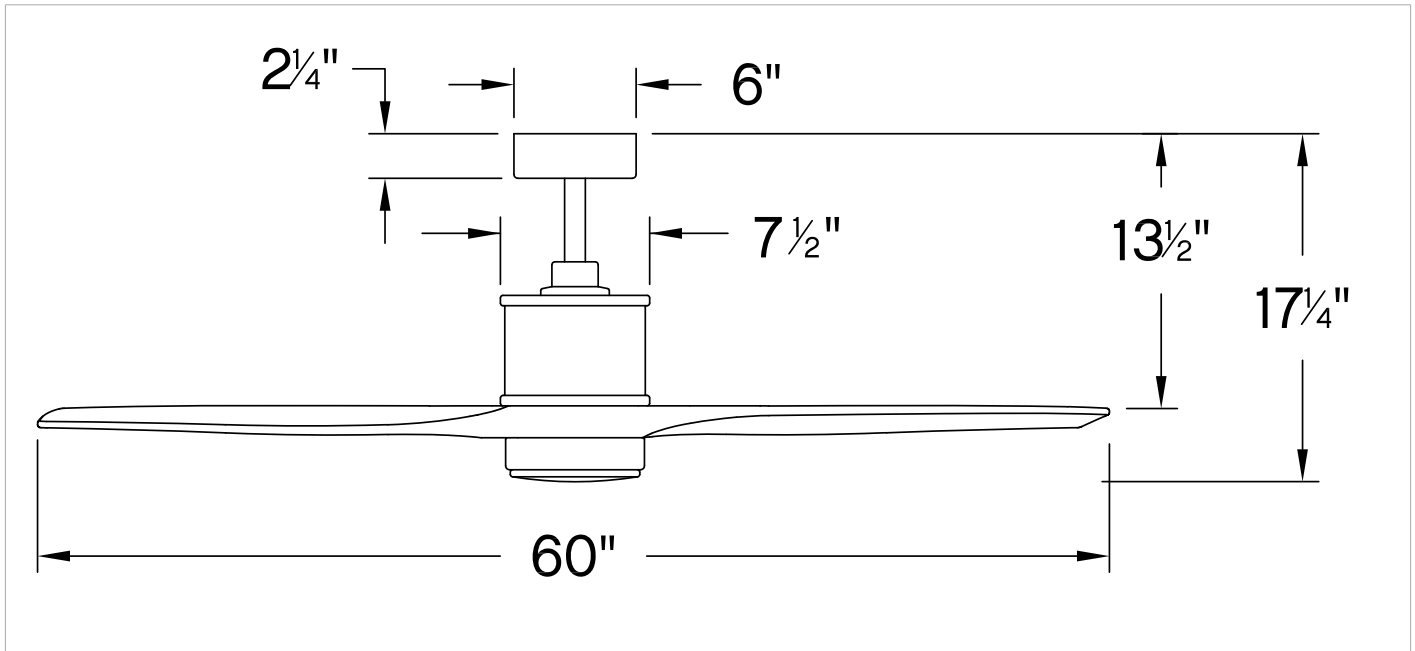
Clean and sleek, Hover is a stunning modern upgrade for any project. Available in Brushed Nickel, Graphite or Matte Black, Hover comes equipped with integrated LED lighting and DC motor technology to deliver excellent energy efficiency. Hover is so versatile; it can be used for both indoor and outdoor spaces. Blades are included with every fan.

PRODUCT DETAILS:

- This item includes a 6" down rod. Various lengths are available to customize the installation height.
- Suitable for use in wet (interior direct splash and outdoor direct rain or sprinkler) locations as defined by NEC and CEC. Meets United States UL Underwriters Laboratories.
- Meets California Energy Commission 2016 Title regulations/JA8
- This item may be hung on a sloped ceiling
- Fan Control included, Wall Control - 6 Speed Reversing
- LED components carry a 5-year limited warranty
- Motor carries a lifetime warranty
- Blades, controls, switches, capacitors, and hardware carry a 1 year warranty

HOVER 60" LED FAN

900760FMB-LWD



| PERFORMANCE SPECIFICATIONS | STANDARD | |
|----------------------------|------------|---------------|
| | HIGH SPEED | AVERAGE SPEED |
| Airflow | 7118 | 4714 |
| EnergyUse | 28.5 | 18 |
| EnergyCost | 8 | 5 |
| Efficiency | 249 | 267 |
| AMPS | 0.37 | 0.21 |
| RPMS | 150 | 98 |

AVERAGE PERFORMANCE AND ENERGY INFORMATION

ENERGYGUIDE

Estimated Yearly Energy Cost

\$5

Cost Range of Similar Models (19" - 84")

\$3 | | | \$34

• Based on 12 cents per kWh and 6.4 hours use per day
 • Your cost depends on rates and use
 • Energy Use: 18 Watts

Airflow

4,714

Cubic Feet Per Minute

• The higher the airflow, the more air the fan will move
 • Airflow Efficiency: 267 Cubic Feet Per Minute Per Watt

All estimates based on typical use, excluding lights ftc.gov/energy

Airflow Shown is a Weighted Average of High and Low Cubic Feet per Minute Based on Downrod

HINKLEY

HINKLEY
 33000 Pin Oak Parkway
 Avon Lake, OH 44012

PHONE: (440) 653-5500
 Toll Free: 1 (800) 446-5539

hinkley.com