



HOVER FLUSH

900860FGT-LWD

HOVER FLUSH 60" LED FAN

| DETAILS | |
|-------------|-------------|
| FAN FINISH: | Graphite |
| GLASS: | Etched Opal |

| DIMENSIONS | |
|------------|-------|
| WIDTH: | 60" |
| HEIGHT: | 11.5" |

| LIGHT SOURCE | |
|--------------|------|
| VOLTAGE: | 120v |

| MOUNTING | |
|------------|------------|
| CANOPY: | 7.75" Dia. |
| LEAD WIRE: | 8" |

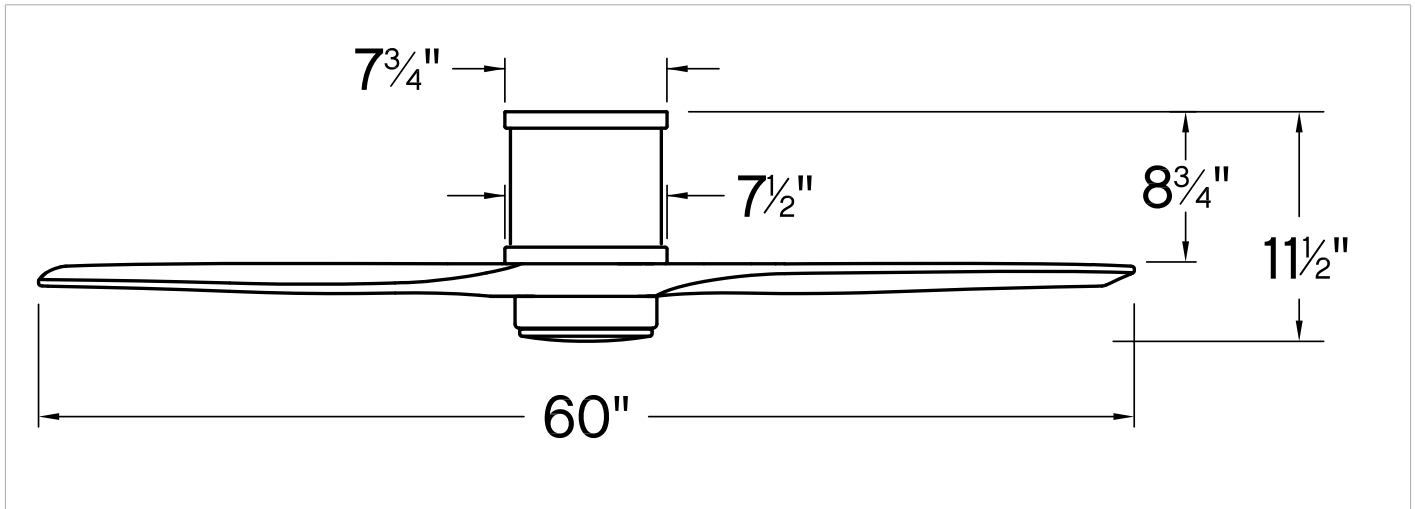
Clean and sleek, Hover is a stunning modern upgrade for any project. Available in Brushed Nickel, Graphite or Matte Black, Hover comes equipped with integrated LED lighting and DC motor technology to deliver excellent energy efficiency. Hover is so versatile; it can be used for both indoor and outdoor spaces. Blades are included with every fan.

PRODUCT DETAILS:

- Suitable for use in wet (interior direct splash and outdoor direct rain or sprinkler) locations as defined by NEC and CEC. Meets United States UL Underwriters Laboratories.
- Meets California Energy Commission 2016 Title regulations/JA8
- Fan Control included, Wall Control - 6 Speed Reversing
- LED components carry a 5-year limited warranty
- Motor carries a lifetime warranty
- Blades, controls, switches, capacitors, and hardware carry a 1 year warranty
- Bold lines and a clean, minimalist style creates a modern look
- Fans should be installed at a minimum of 7 feet from the floor

HOVER FLUSH 60" LED FAN

900860FGT-LWD



| PERFORMANCE SPECIFICATIONS | STANDARD | |
|----------------------------|------------|---------------|
| | HIGH SPEED | AVERAGE SPEED |
| Airflow | 6025 | 4027 |
| EnergyUse | 31.8 | 19 |
| EnergyCost | 9 | 5 |
| Efficiency | 190 | 207 |
| AMPS | 0.43 | 0.24 |
| RPMS | 150 | 98 |

AVERAGE PERFORMANCE AND ENERGY INFORMATION

ENERGYGUIDE

Estimated
Yearly Energy Cost
\$5

\$3 | | | \$34

Cost Range of Similar Models (19" – 84")

- Based on 12 cents per kWh and 6.4 hours use per day
- Your cost depends on rates and use
- Energy Use: 19 Watts

All estimates based on typical use, excluding lights

Airflow
4,027
Cubic Feet Per Minute

- The higher the airflow, the more air the fan will move
- Airflow Efficiency: 207 Cubic Feet Per Minute Per Watt

ftc.gov/energy

Airflow Shown is a Weighted Average of High and Low Cubic Feet per Minute Based on Close to Ceiling