

Pillar Lite

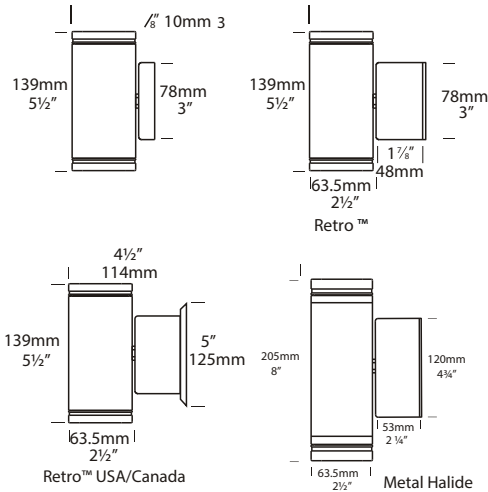
- Cat. No. PIL
- Cat. No. PIL/R
- Cat. No. PILGU
- Cat. No. PILFL
- Cat. No. PILMH20



The Pillar Lite illuminates both upwards and downwards, giving columns, gateway pillars and entrances a dramatic effect. The Retro™ is a 110/240-12 ac mains option suited to an installation where mounting a transformer is a problem, e.g. a brick wall where there is only the cable protruding out of the wall and it is not an option to recess the transformer or when replacing an existing light fitting. The base size increases in size to accommodate the encapsulated IP66 dimmable transformer.

This luminaire is machined from a choice of 10mm solid aluminium with a UV stable powder coated finish, solid copper or 316 stainless steel with a clear, tempered, flush glass lens and high temperature silicon gaskets.

A GU10 version of this luminaire is also available for line voltage lamps. The Pillar Lite Metal Halide is extremely energy efficient, outputting 2-3 times the light of a halogen lamp, and uses two GX10 20watt lamps.



Ordering Information

Luminaire Type	Material/Finish	Accessories
PIL - Pillar Lite	BK - Black BZ - Bronze GN - Green STAR - Silver Star WH - White WB - Birch DG - Dark Grey OG - Olive Green RG - Beige PR - Primrose COP - Copper SS - 316 Stainless Steel	CJK150 - Cable Joint Kit LENSSTEPF - Frosted Lens GG - Glare Guard (Not for Metal Halide) HCL - Hex Cell Louvre Adaptor GU10 - GU10 Option MH - Metal Halide Option For LED options, refer to page 10.4 (dedicated LED), 10.4.3 (6 watt), 10.4.4 (3 watt) or http://hunza.co.nz/l.html

Ordering Example

- PIL COP - Pillar Lite in Copper
- PIL/R GN - Pillar Lite Retro in Green
- PILGU COP - Pillar Lite GU10 in Copper
- PILFL SS - Pillar Lite Fluorescent in Stainless Steel
- PILMH20 COP - Pillar Lite Metal Halide 20 watt in Copper
- HCL BK - Hex Cell Louvre Adaptor in Black

(Accessories ordered separately)

HUNZA™ PURE OUTDOOR LIGHTING

HUNZA FACTORY
130 Felton Mathew Ave
Glen Innes
Auckland 1072
New Zealand

Ph: 64-9-528 9471
Fax: 64-9-528 9361
hunza@hunza.co.nz
www.hunza.co.nz

INTERNATIONAL CONTACTS:
www.hunza.co.nz/contacts.php

Specifications may change without notice.
Manufactured in New Zealand.
© 2011 Hunza Holdings Ltd.

Luminaire Construction

CNC machined from one of the following metals:

Body: High corrosion resistant low copper 63.5mm (2½") x 10mm (25/64") aluminium.

Base & Mounting Plate: Cast from virgin high corrosion resistant CC401 low copper aluminium alloy chromate substrate and high UV resistant polyester powder coat - Black, Bronze, Green, Silver Star, White, Birch, Dark Green, Olive Green, Beige, Primrose.

Body: Copper 63.5mm (2½") x 10mm (25/64").

Base: Copper Hand spun 2mm (5/64").

Mounting Plate: Forged brass (Retro™).

Body: 316 Stainless steel 63.5mm (2½") x 9mm (11/32") rod.

Base: Investment cast and CNC Machined (Retro™).

Mounting Plate: Investment cast and CNC machined.

Mounting

12 volt: the luminaire is mounted to the wall using two 316 stainless screws through a shallow base 16mm (5/8") in depth. A Wall Box Adaptor Plate is available as an accessory to fit 3.0 and 4.0 junction boxes for USA /Canada.

Retro™ luminaire (110/240-12 volt): a mounting plate is fixed to the wall using two screws and then the luminaire is fixed to the mounting plate.

Features

Lens:

10mm (3/8") clear flush fit shatter resistant glass.
Lifetime Warranty.

Gaskets:

Silicone, iron impregnated 220°C (428°F)

Lamp Holders:

GU5.3 & GU10 - 350°C (662°F) ceramic multi contact lamp holder with 250°C (480°F) teflon cables.

Metal Halide GX10 - 350°C (662°F) ceramic multi contact lamp holder with 250°C (480°F) teflon cables.

Accessories:

Cable Joint Kit (Cat. CJK150)

Not approved for USA /Canada.

Frosted Lenses (Cat. LENSSTEPF).

Glare Guards (Cat. GG).

Hex Cell Louvre Adaptors (Cat. HCL).

Retro™ Transformer 110/240-12 volt (Cat. /R).

Wall Box Adaptor Plate (Cat. WBAP 12 volt luminaire USA/Canada).

GU10 Option (Cat. GU).

Metal Halide Option (Cat. MH).

Standards

IP66 AS/NZS61046



UL1838

Luminaire Weight

12 volt

Alum .775kg (1lb 11oz)

Cop 2.230kg (4lb 14oz)

SS 1.750kg (3lb 13oz)

Retro™

Alum 1.100kg (21lb 6oz)

Cop 2.650kg (5lb 13oz)

SS 2.200kg (4lb 13oz)

Power Supply

12 volt

HUNZA™ Inground or HUNZA™ Wall Mount Transformer: not included.

Metal Halide - 230-240 volt ac 50Hz built in ballast

USA and Canada:

HUNZA™ Wall Mount Transformer: not included.

Approved for internal use.

RETRO

HUNZA™ 110/240-12 volt ac silicone encapsulated electronic transformer built into the Retro™ base.

Dimmable with a suitable dimmer.

Approved for internal use.

Metal Halide - 120 volt ac 60Hz built in ballast

Luminaire: supplied with

MR16 GU5.3 2 x 20 watt lamps max.

GU10 - GU10 25 watt lamp max.

LED - Refer to previous page.

Metal Halide - GX10 2 x 20 watt lamps max.

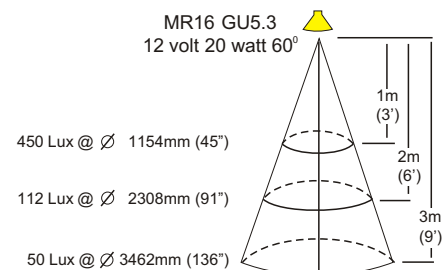
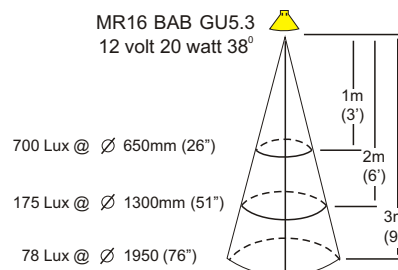
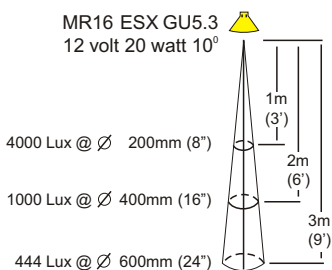
USA and Canada:

MR16 GU5.3 2 x 20 watt lamps max.

GU10 Halogen - Lamp not supplied

LED - Refer to previous page.

Metal Halide - GX10 2 x 20 watt lamps max.



HUNZA™ PURE OUTDOOR LIGHTING

HUNZA FACTORY
130 Felton Mathew Ave
Glen Innes
Auckland 1072
New Zealand

Ph: 64-9-528 9471
Fax: 64-9-528 9361
hunza@hunza.co.nz
www.hunza.co.nz

INTERNATIONAL CONTACTS:
www.hunza.co.nz/contacts.php

Specifications may change without notice.
Manufactured in New Zealand.
© 2011 Hunza Holdings Ltd.

Ver 1.4