

Ceiling Panel

5921593S | 1.0

GENERATION LIGHTING

CAUTION - RISK OF FIRE

This product must be installed in accordance with the applicable installation code by a person familiar with the construction and operation of the product and the hazards involved.

Use minimum 90°c supply conductors.

GENERATION LIGHTING

7400 Linder Ave, Skokie, IL 160077

800.969.3347

www.visualcomfort.com

©2023 Visual Comfort & Co.. All rights reserved. The Visual Comfort & Co. logo is a registered trademark of Visual Comfort & Co. Visual Comfort & Co. reserves the right to change specifications for product improvements without notification

GENERAL PRODUCT INFORMATION:

These fixtures are intended to be installed utilizing NEC compliant junction boxes.

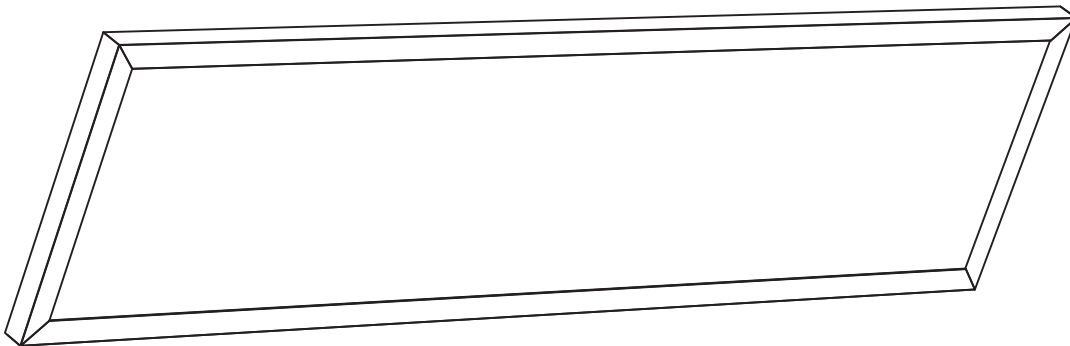
This product is safety listed for damp locations.

Incandescent lamps may be dimmed with a standard incandescent dimmer. LED lamps may be dimmed with a LED dimmer. Consult lamp manufacturer for additional information.

These instructions show a typical installation.

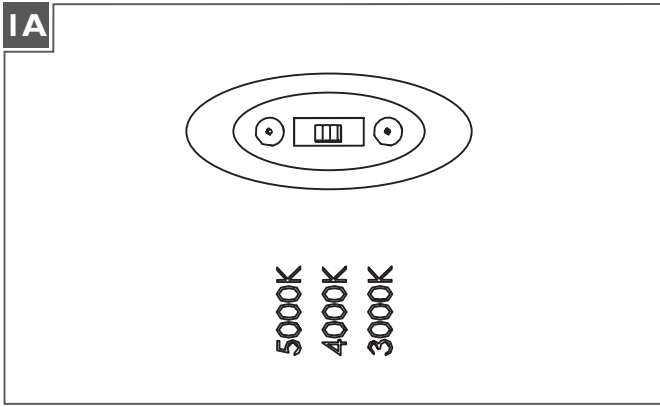
This equipment has been tested and found to comply with the limits for a Class A digital device, pursuant to part 15 of the FCC Rules. These limits are designed to provide reasonable protection against harmful interference when the equipment is operated in a commercial environment. This equipment generates, uses, and can radiate radio frequency energy and, if not installed and used in accordance with the instruction manual, may cause harmful interference to radio communications. Operation of this equipment in a residential area is likely to cause harmful interference in which case the user will be required to correct the interference at his own expense.

Any changes or modifications to this unit not expressly approved by the party responsible for compliance could void the user's authority to operate the equipment.



SAVE THESE INSTRUCTIONS!

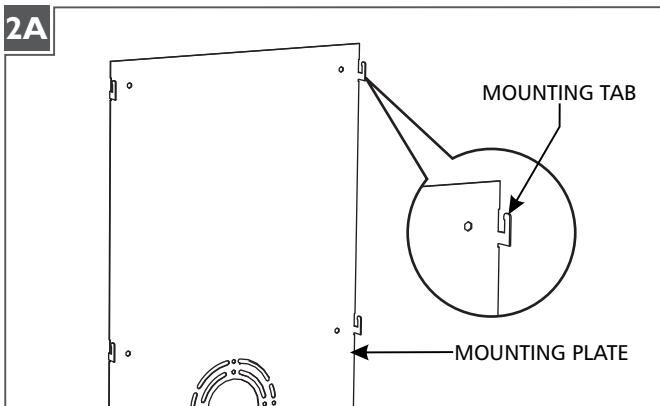
Select Color Temperature (Optional)



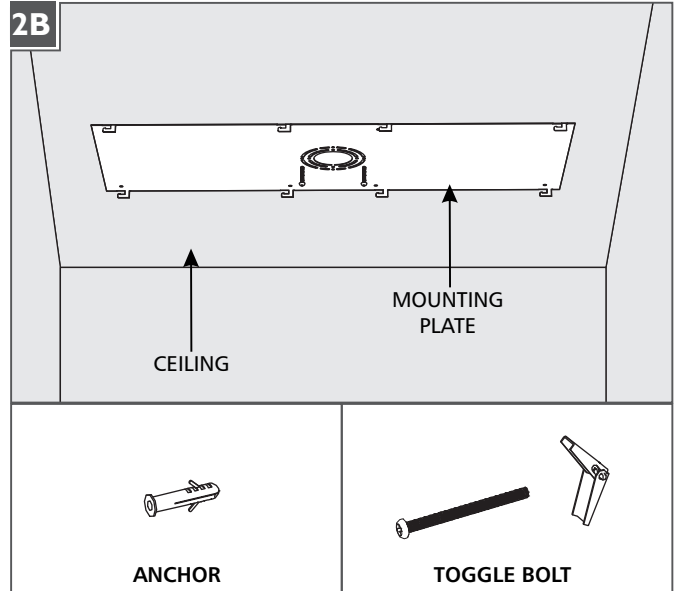
1 Toggle the Changeable Color Temperature (CCT) Switch located on the back of the fixture to the desired setting.

- For T-Grid Installation, Skip to Section 4A
- For Drywall or Wood Ceiling Installation, Continue on to Section 2A.

Install the Mounting Plate

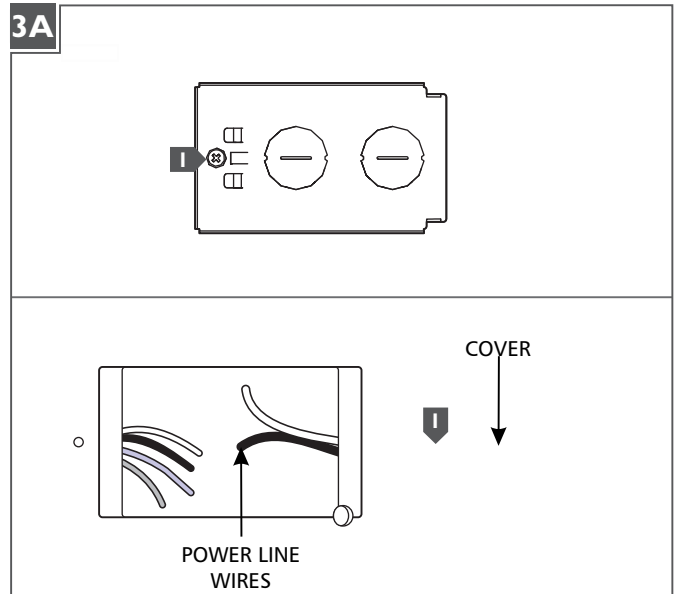


1 If necessary, carefully bend the mounting tabs 90 degrees as shown.



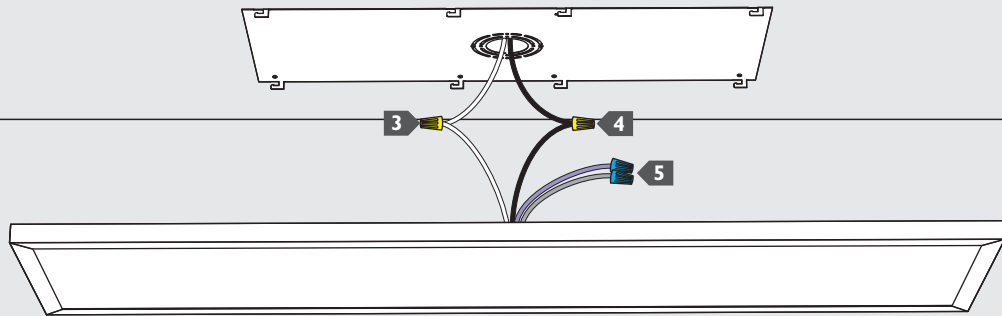
2 Use the provided anchors or toggle bolts to install the mounting plate to the ceiling according to local building code.

Install the Fixture



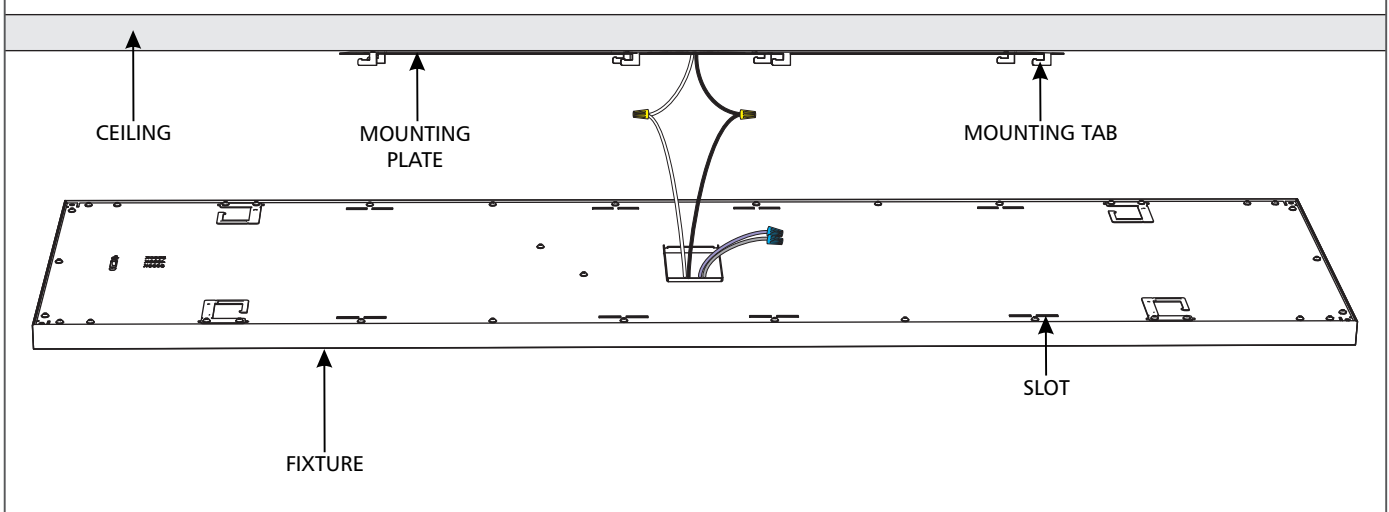
1 Remove the screw on wiring compartment cover located on the back of the fixture and remove cover completely.

3B



- 2 Connect the fixture to a suitable ground in accordance to local electrical codes.
- 3 Connect the white fixture wire to the neutral power line wire with a wire nut.
- 4 Connect the black fixture wire to the hot power line wire with a wire nut.
- 5 For 0-10V dimming, use the purple and gray wires to connect to a compatible dimmer. If not using 0-10V dimming, make sure to cap off the purple and gray wires.

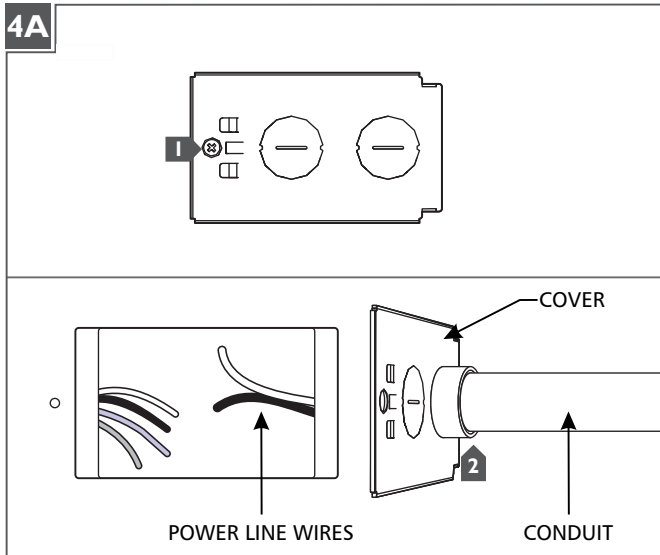
3C



- 6 Neatly place all wires into the junction box or wiring compartment, align the mounting tabs to the slots on the fixture, push the fixture so that the tabs enter the slots and slide the fixture left or right depending on mounting tabs orientation to lock in place. **Make sure THE fixture is fully secured before releasing.**

Install the Fixture (T-Grid)

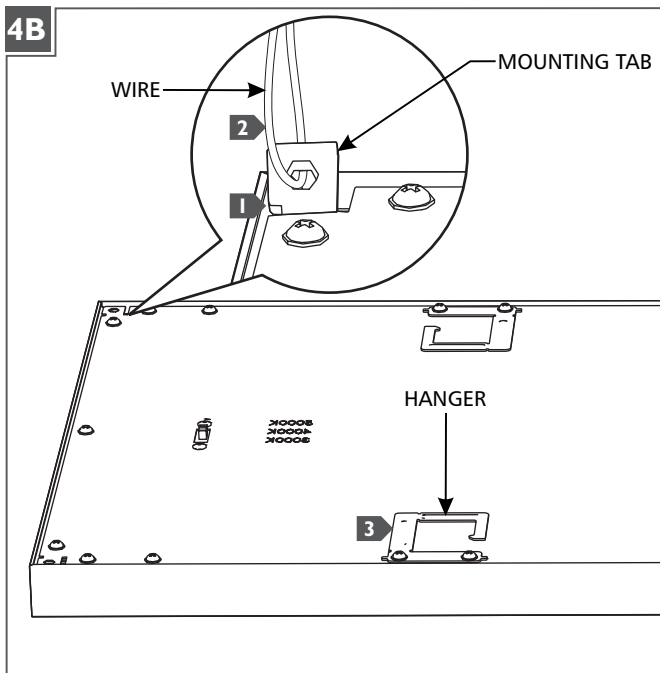
4A



- 1 Remove the screw on wiring compartment cover located on the back of the fixture and remove cover completely.
- 2 Install conduit and bring power line wires to the cover using one of the available knockouts.

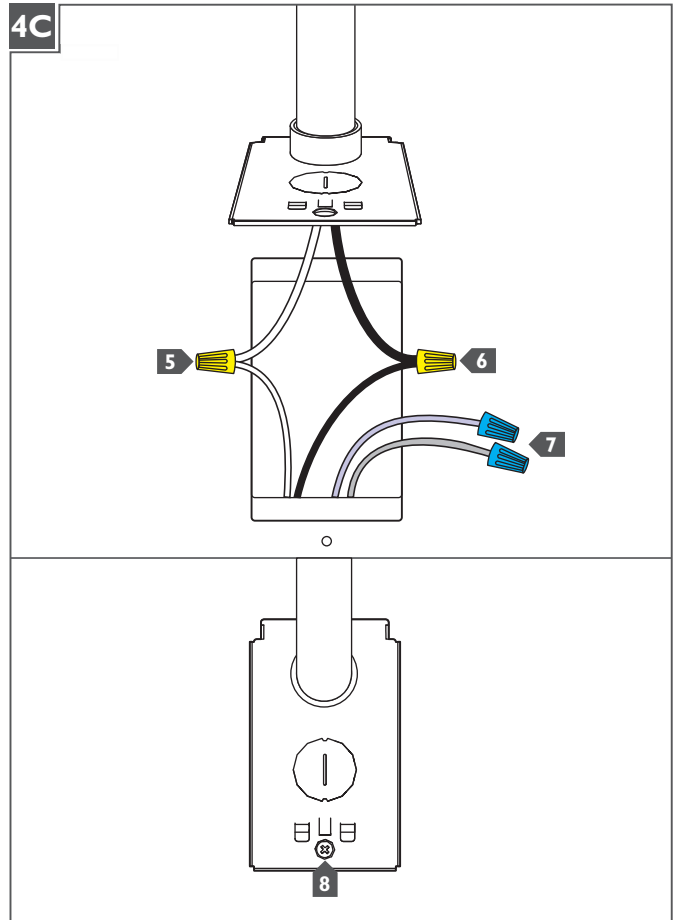
CAUTION: This fixture is not designed to be supported solely by the T-Grid. It must be tied back to the structure.

4B



- 1 Carefully bend the mounting tabs on the back of the fixture.
- 2 Install wire to each of the mounting tabs and secure the wire to the building structure.
- 3 Carefully bend the hangers on the back of the fixture and use to mount onto T-Grid.

4C



- 4 Connect the fixture to a suitable ground in accordance to local electrical codes.
- 5 Connect the white fixture wire to the neutral power line wire with a wire nut.
- 6 Connect the black fixture wire to the hot power line wire with a wire nut.
- 7 For 0-10V dimming, use the purple and gray wires to connect to a compatible dimmer. If not using 0-10V dimming, make sure to cap off the purple and gray wires.
- 8 Neatly place all wires into the wiring compartment and reinstall the cover to the fixture using the screw.