

Collier

700CLR 1.4

VISUAL COMFORT & Co.

MODERN COLLECTION

GENERAL PRODUCT INFORMATION:

This product is suitable for dry locations only.

These fixtures are intended to be installed utilizing NEC compliant junction boxes.

This product can be dimmed with most ELV dimmers.

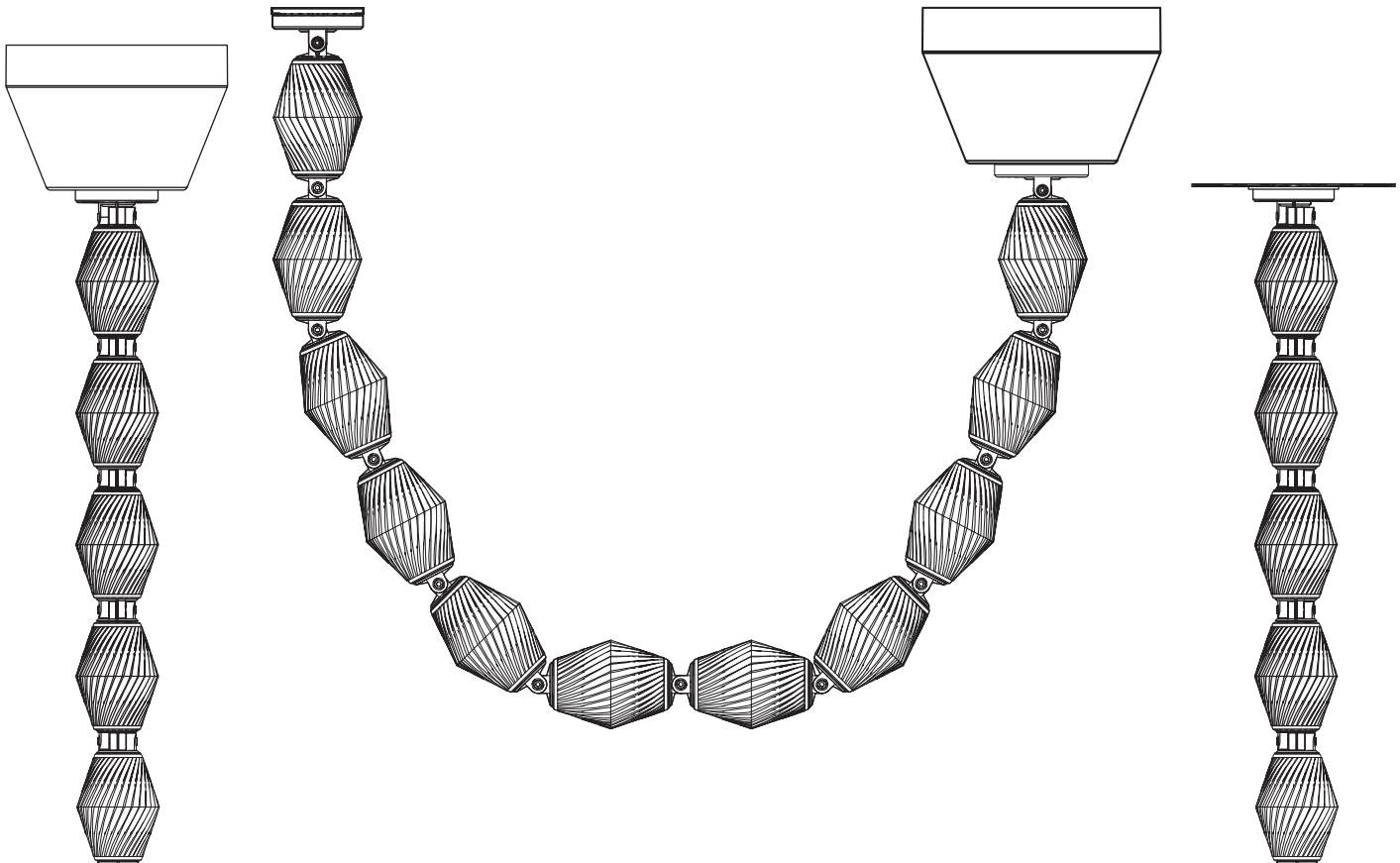
This instruction shows a typical installation.



CAUTION - RISK OF FIRE
This product must be installed in accordance with the applicable installation code by a person familiar with the construction and operation of the product and the hazards involved.
Use minimum 90°C supply conductors.

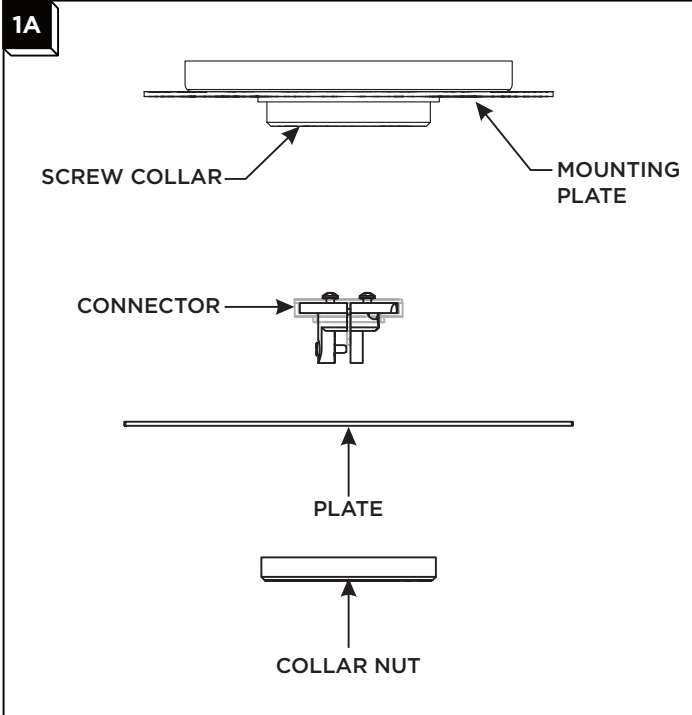
SAVE THESE INSTRUCTIONS!

TWO PERSON INSTALLATION RECOMMENDED



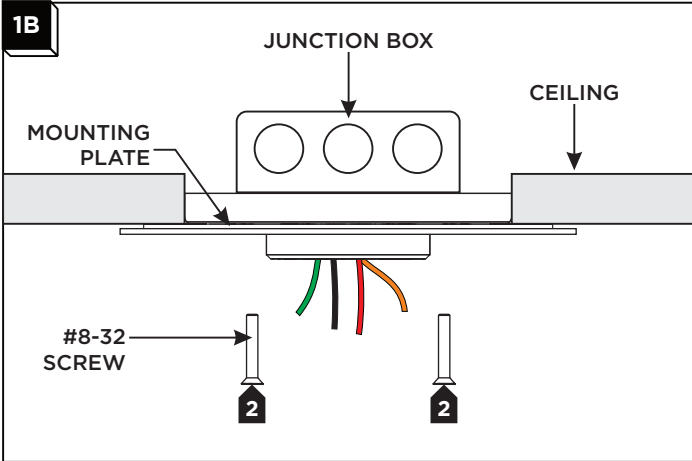
For Remote Transformer Canopy, go to section 1
 For Surface Canopy, skip to section 2
 For Mud-in Canopy, skip to section 3
 For Shallow Canopy, skip to section 4

Install the Remote Transformer Canopy

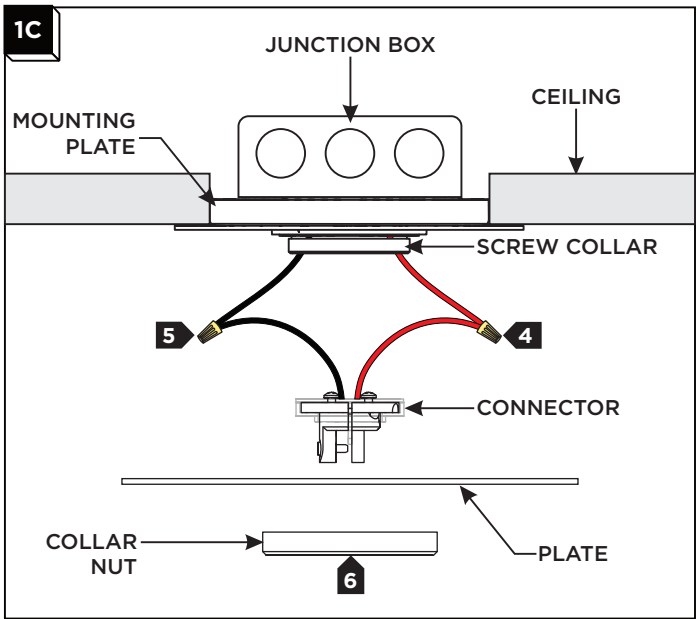


1 Remove the mounting plate from the canopy by unscrewing the collar nut from the screw collar.

NOTE: The remote transformer must be installed and low-voltage wires brought to the mounting location prior to beginning installation. Refer to the instructions included with your remote transformer to connect the transformer to the power.



2 Secure the mounting plate to the junction box with the #8-32 screws.



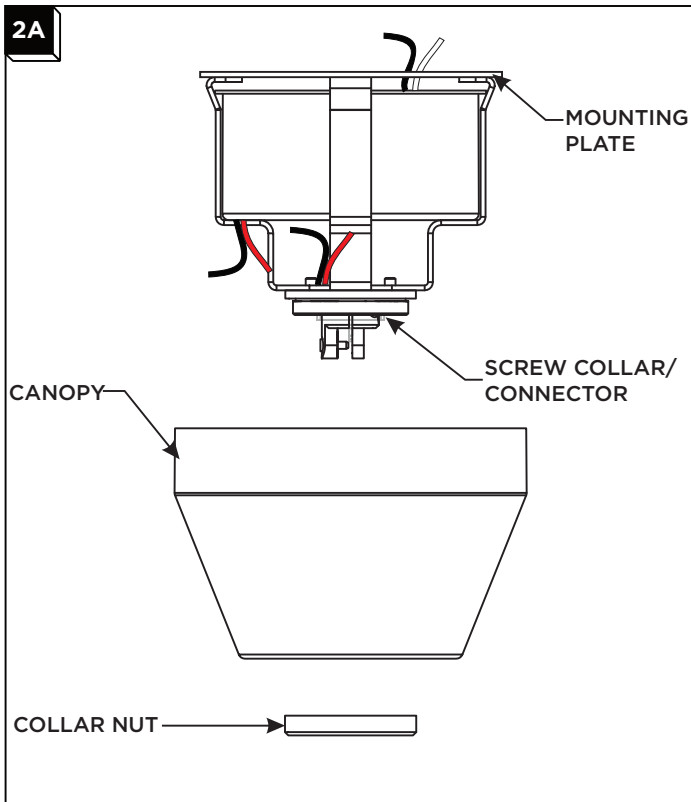
- 3** Connect the fixture to a suitable ground with accordance with local electrical codes.
- 4** Connect the red output transformer wire to the red connector wire with a wire nut.
- 5** Connect the black output transformer wire to the connector wire with a wire nut.

NOTE: If necessary, the connector can be rotated (180° maximum) to position its direction according to how the fixture will be hung/swagged.

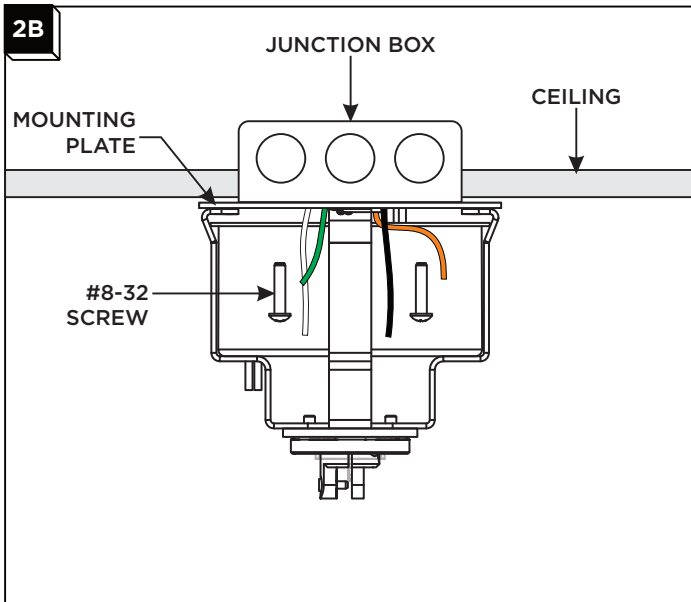
6 Neatly place all wires and wire nut connections inside the junction box, place the connector and plate over the mounting plate, and secure them together by screwing the collar nut onto the screw collar (reversal of step 1A).

SKIP TO SECTION 5A

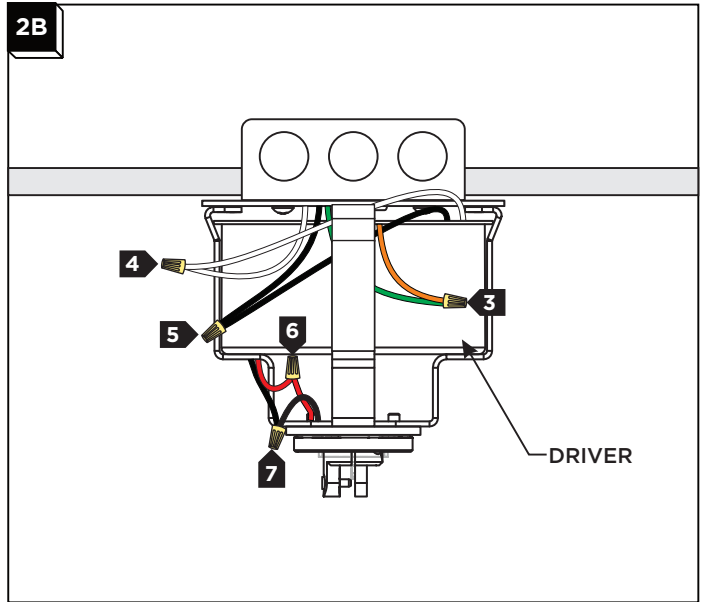
Install the Surface Canopy



- 1 Remove the mounting plate from the canopy by unscrewing the collar nut from the screw collar/connector.



- 2 Secure the mounting plate to the junction box with the #8-32 screws.



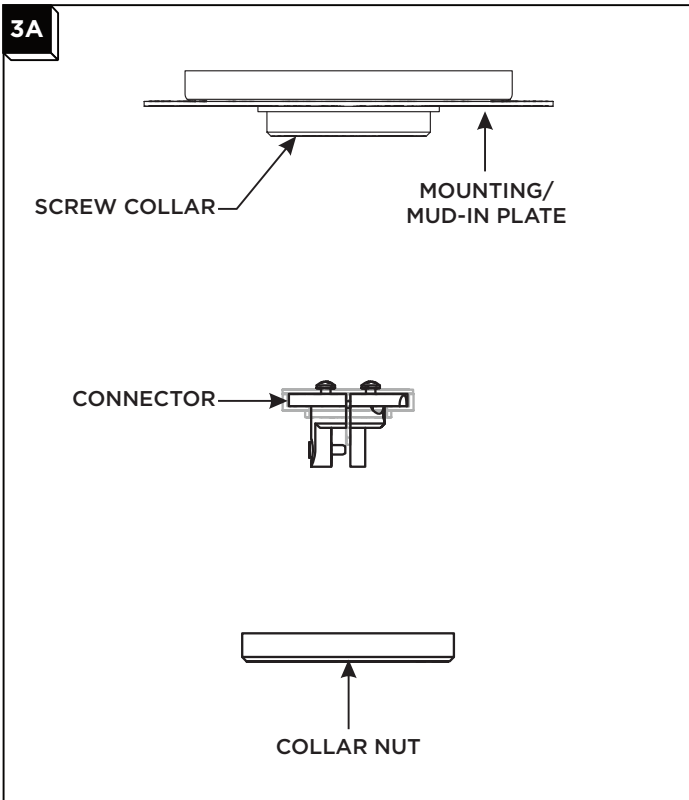
- 3 Connect the fixture to a suitable ground in accordance with local electrical codes.
- 4 Connect the white input driver wire to the neutral power line with a wire nut.
- 5 Connect the black input driver wire to the hot power line with a wire nut.
- 6 Connect the red output driver wire to the neutral power line with a wire nut.
- 7 Connect the black output driver wire to the hot power line with a wire nut.

NOTE: If necessary, the connector can be rotated (180° maximum) to position its direction according to how the fixture will be hung/swagged.

- 8 Neatly place all wires and wire nut connections inside the junction box, place the canopy over the mounting plate, and secure them together by screwing the collar nut onto the screw collar (reversal of step 2A).

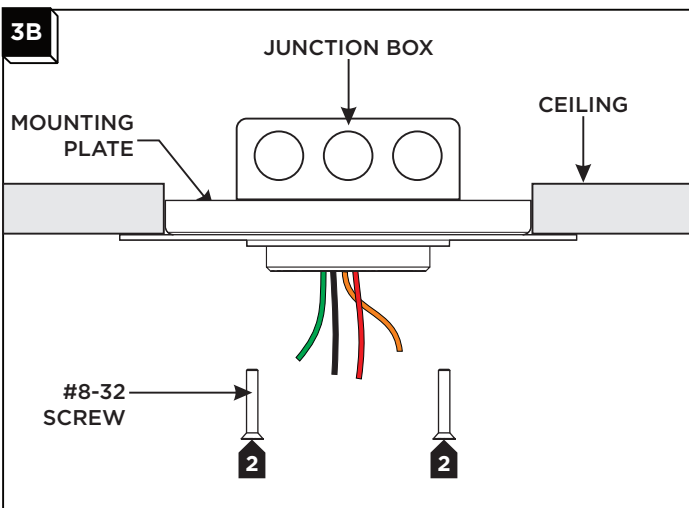
SKIP TO SECTION 5A

Install the Mud-in Canopy

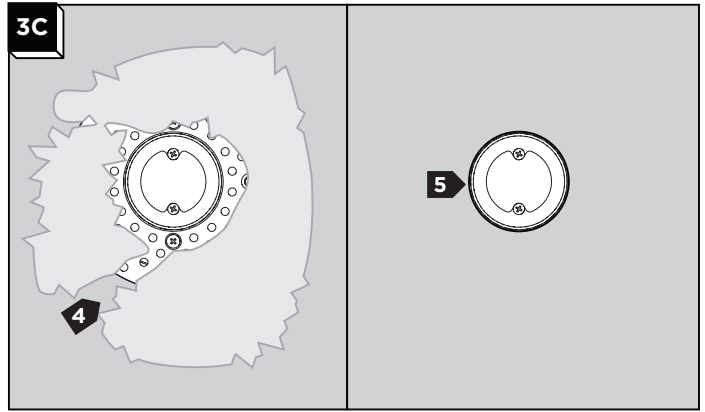


- 1 Remove the mounting/mud-in plate from the canopy by unscrewing the collar nut from the screw collar.

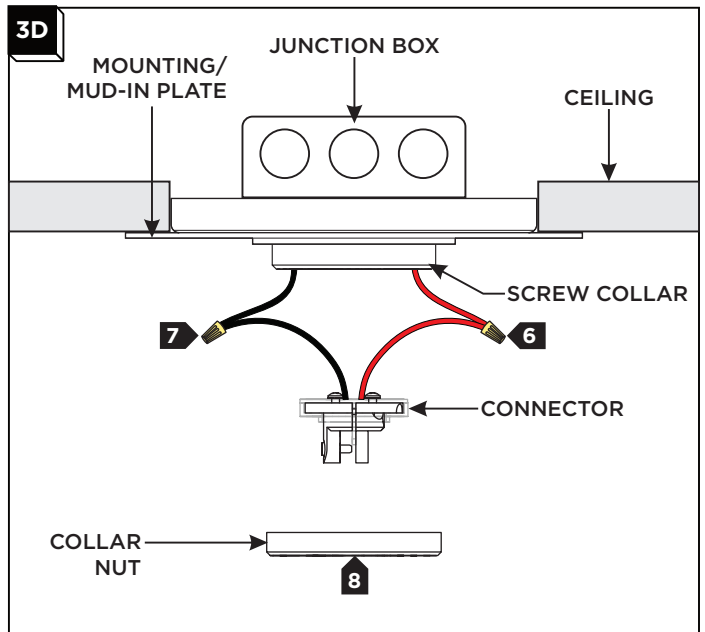
NOTE: The remote transformer must be installed and low-voltage wires brought to the mounting location prior to beginning installation. Refer to the instructions included with your remote transformer to connect the transformer to the power.



- 2 Secure the mounting plate to the junction box with the #8-32 screws.



- 3 Properly plaster onto the mud-in plate and drywall.
- 4 Finish to match the drywall.

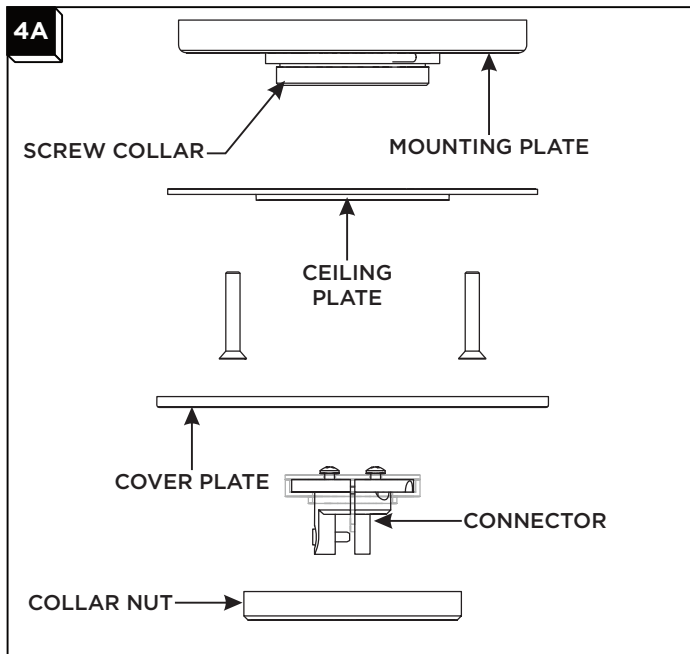


- 5 Connect the fixture to a suitable ground with accordance with local electrical codes.
- 6 Connect the red output transformer wire to the red connector wire with a wire nut.
- 7 Connect the black output transformer wire to the connector wire with a wire nut.

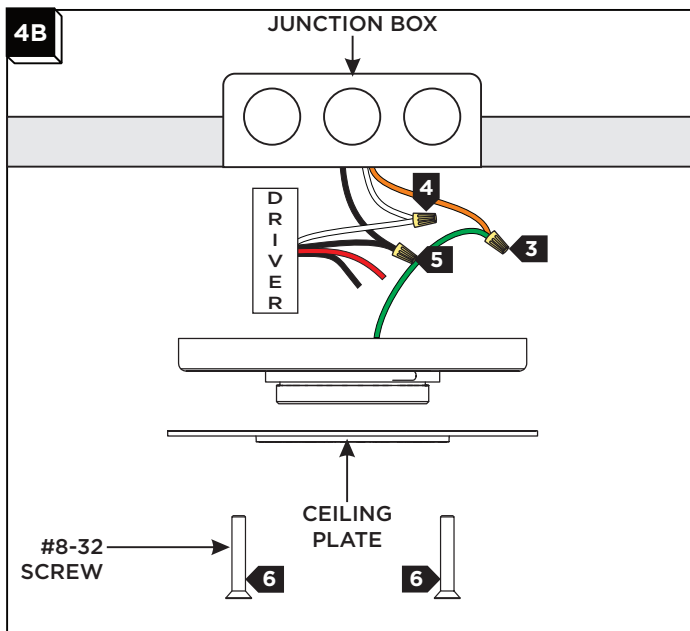
NOTE: If necessary, the connector can be rotated (180° maximum) to position its direction according to how the fixture will be hung/swagged.

- 8 Neatly place all wires and wire nut connections inside the junction box, place the connector inside the screw collar, and secure them together by screwing the collar nut onto the screw collar (reversal of step 3A).

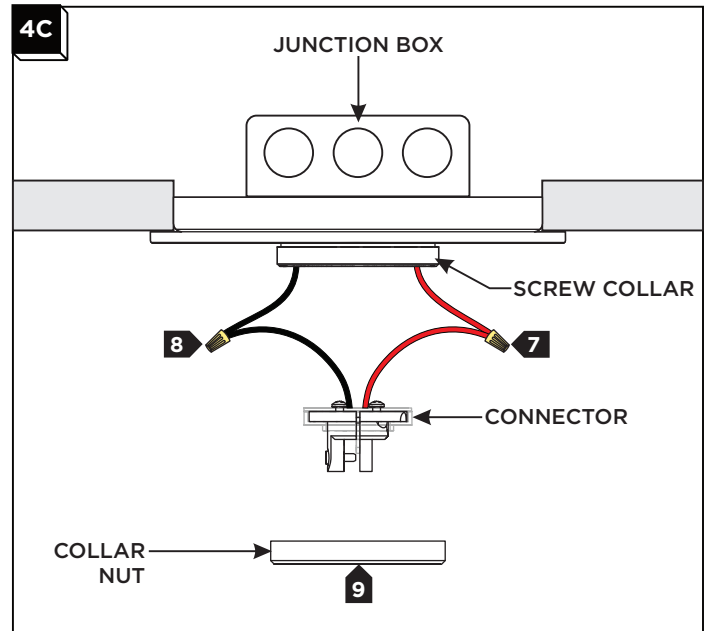
Install the Shallow Canopy



- 1 Disassemble the canopy by unscrewing the collar nut from the screw collar, then remove the connector and cover plate.
- 2 Remove the two #8-32 screws from the ceiling plate and remove the ceiling plate from the mounting plate.



- 3 Connect the fixture to a suitable ground in accordance with local electrical codes.
- 4 Connect the white input driver wire to the neutral power line with a wire nut.
- 5 Connect the black input driver wire to the hot power line with a wire nut.
- 6 Neatly place the driver and wire nut connections inside the junction box, place the ceiling plate over the mounting plate, and secure them together using the two #8-32 screws.

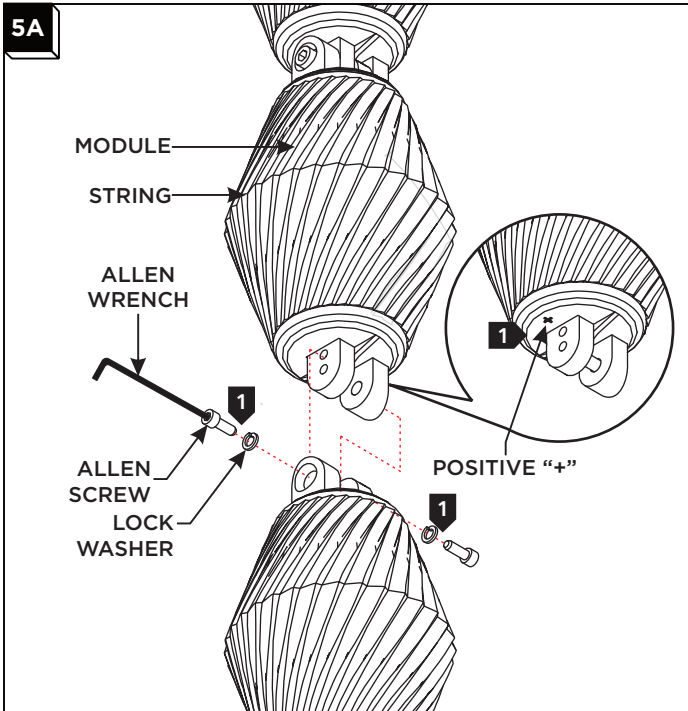


- 7 Connect the red output transformer wire to the red connector wire with a wire nut.
- 8 Connect the black output transformer wire to the connector wire with a wire nut.

NOTE: If necessary, the connector can be rotated (180° maximum) to position its direction according to how the fixture will be hung/swagged.

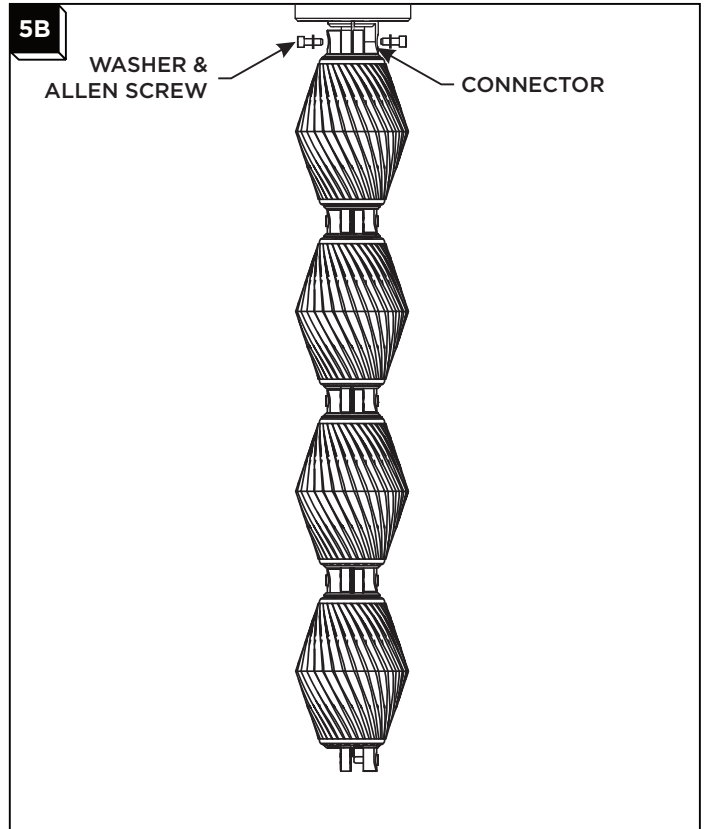
- 9 Neatly place all wires and wire nut connections inside the junction box, place the connector inside the screw collar, and secure them together by screwing the collar nut onto the screw collar.

Assemble the Collier



- 1 Connect strings together by using the washers and Allen screws making sure to match the polarity. Tighten the Allen screws until snug. **Only connect up to 2' strings at a time** (8 modules max).

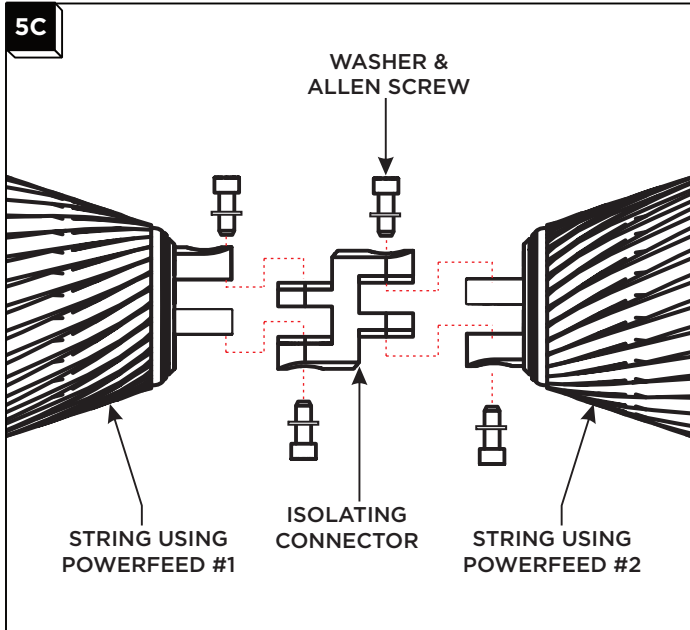
CAUTION: Do not hold up more than 2' of string by a single crystal. The weight from the string may damage the end-cap components and cause damage to the string. Handle strings with two hands, and handle like delicate jewelry.



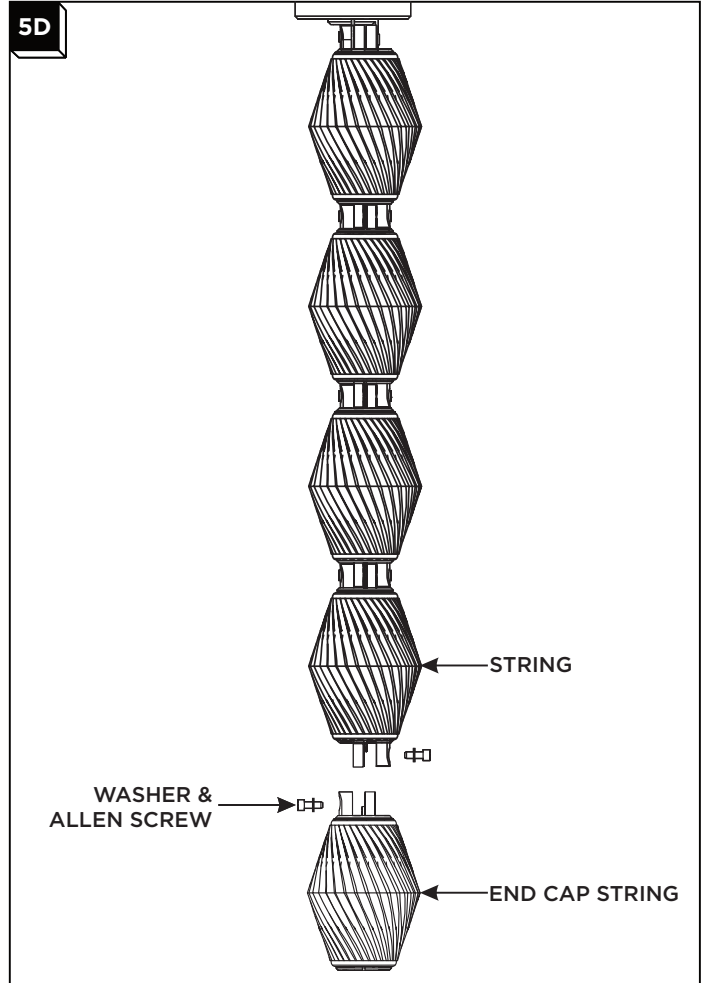
- 2 Install the increment to the connector using the washers and Allen screws making sure to match the polarity. Tighten the Allen screws until snug. Repeat as necessary. **Do not attempt to hang the full length of string (more than 2' increments or 8 modules) at a time. Do not exceed a maximum of 20' of string per power feed point.**

NOTE: If not using optional isolating connector accessory, skip to step 4D to install the end cap string.

NOTE: If not using optional end cap string accessory, skip to section 6 to install the standoff or section 7 to install the adjustable swag hook.



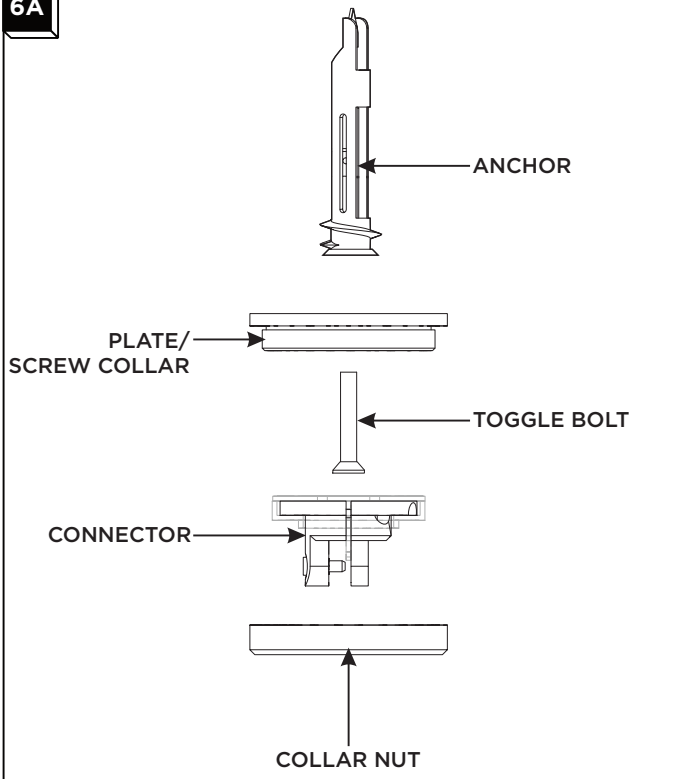
3 Use the isolating connector to connect two separately powered strings/fixtures using the washers and Allen screws. Tighten the Allen screws until snug.



4 Install the end cap string to the end of a string using the washers and Allen screws making sure to match the polarity. Tighten the Allen screws until snug.

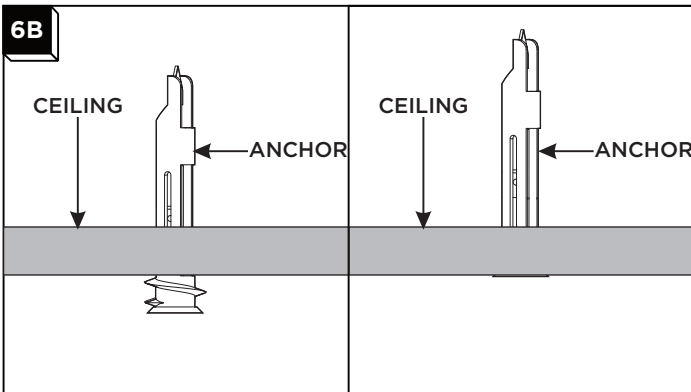
Install the Standoff

6A



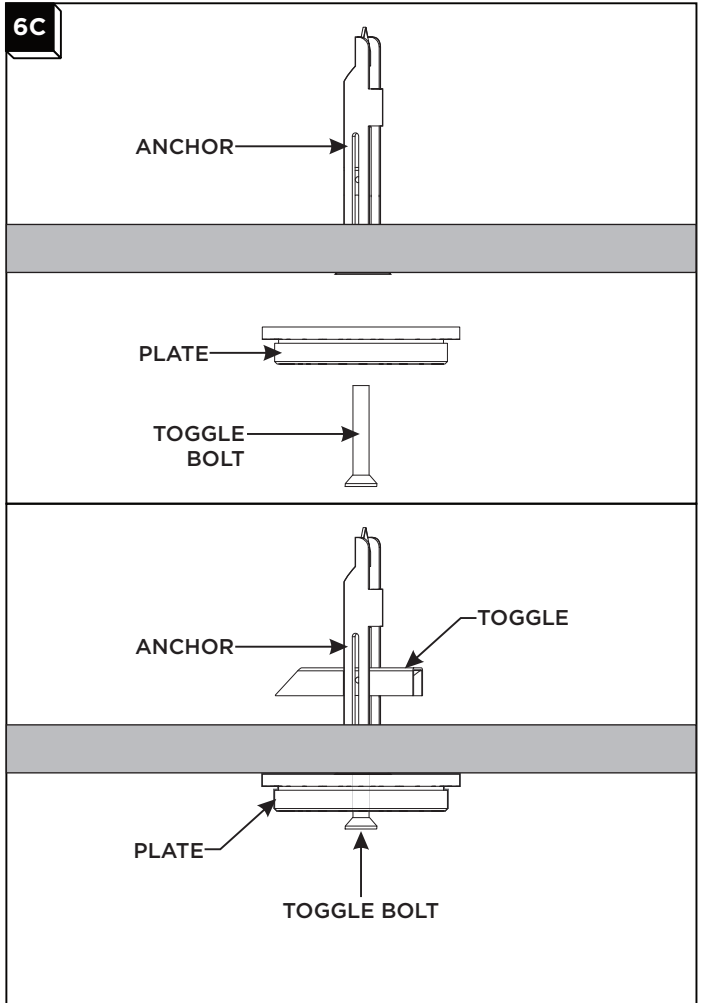
- 1 Disassemble stand-off assembly by unscrewing the collar nut and removing toggle bolt.

6B



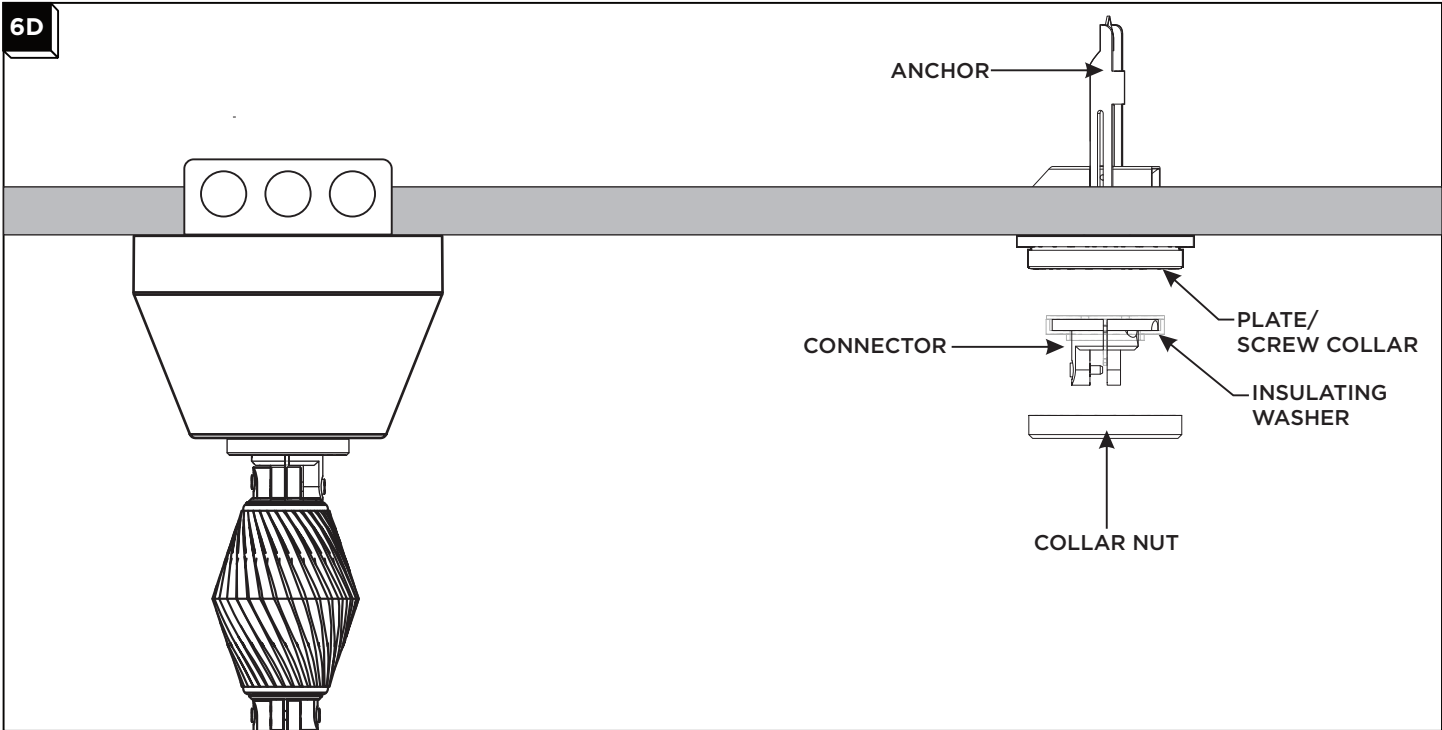
- 2 Install the anchor to the ceiling up to the threads. Screw it in the rest of the way.

6C



- 3 Place the plate/screw collar over the anchor head and secure it in place by screwing in the toggle bolt. Once the toggle bolt has been tightened, the toggle will secure the anchor inside the ceiling.

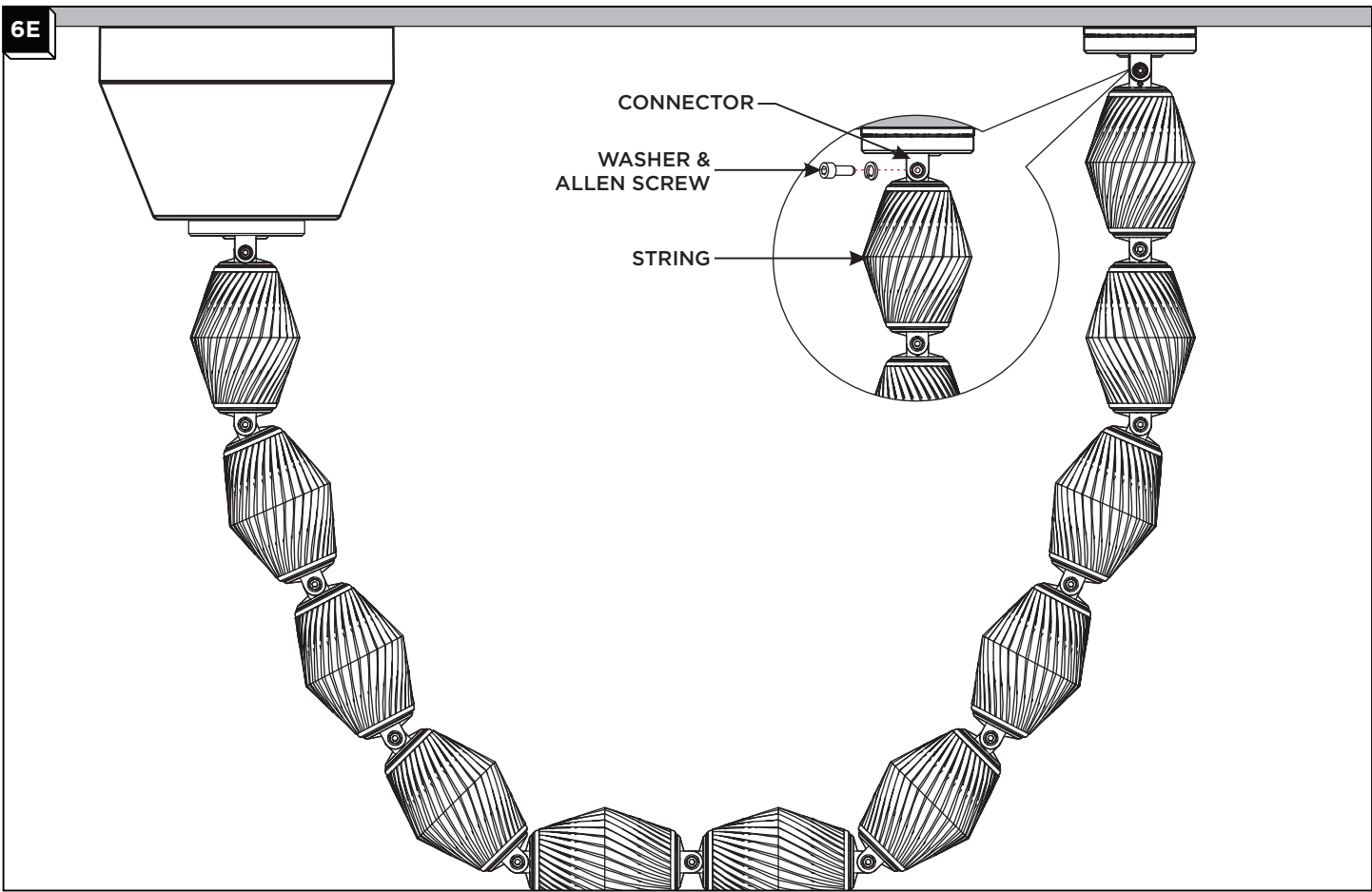
6D



4 Insert the connector and insulator washer into the plate/screw collar and secure them together by screwing the collar nut onto plate/screw collar.

NOTE: If necessary, the connector can be rotated (180° maximum) to position its direction according to how the fixture will be hung/swagged.

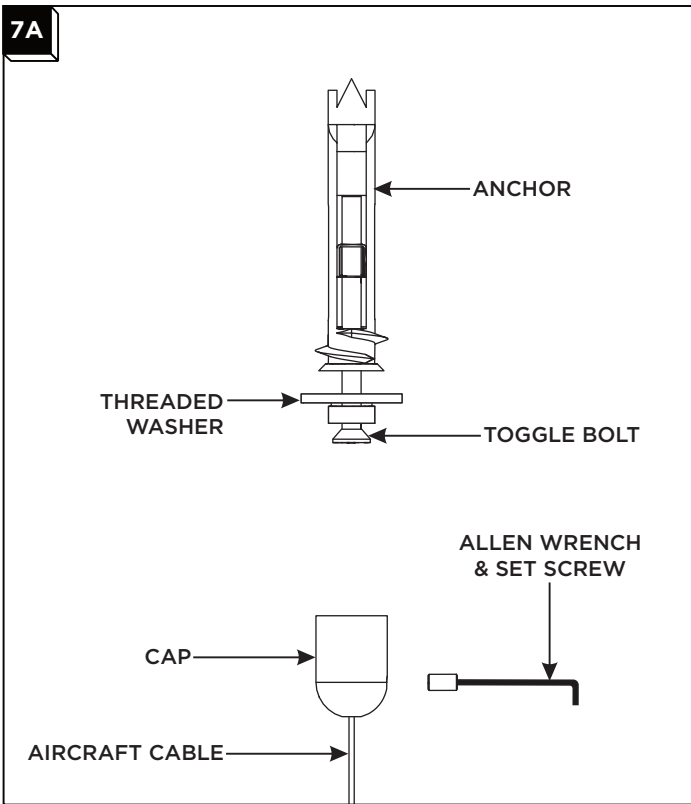
6E



5 Connect the free end of a string to the standoff's connector using the washers and Allen screws.

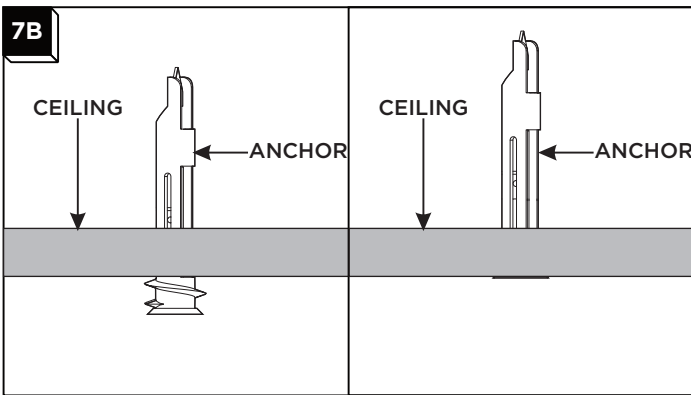
Install the Adjustable Swag Hook

7A



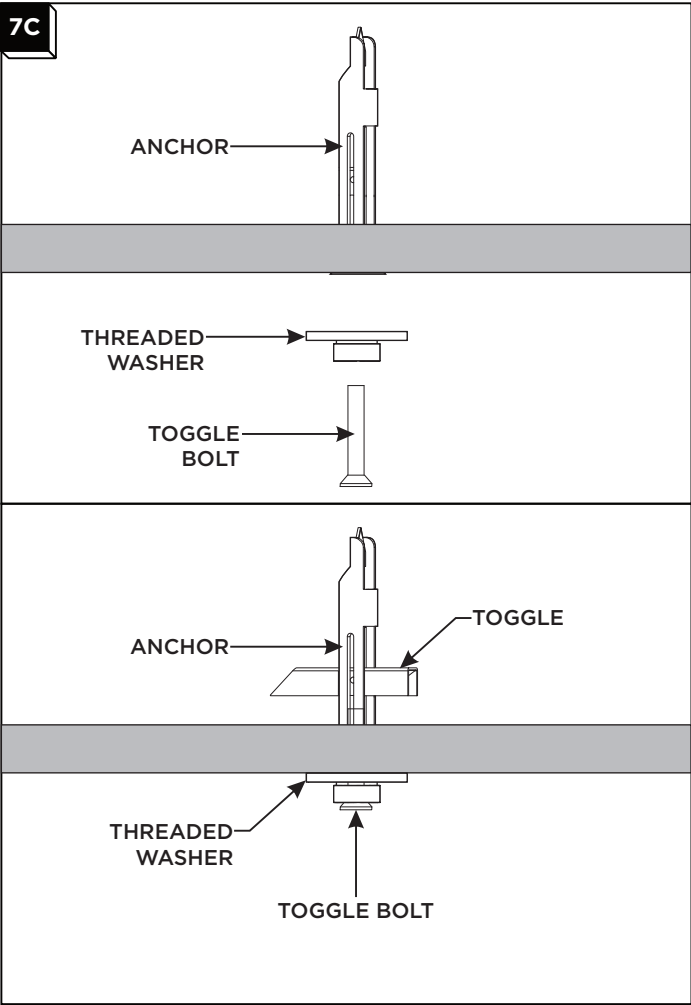
1 Disassemble stand-off assembly by unscrewing the cap from the threaded washer, then removing threaded washer and toggle bolt.

7B



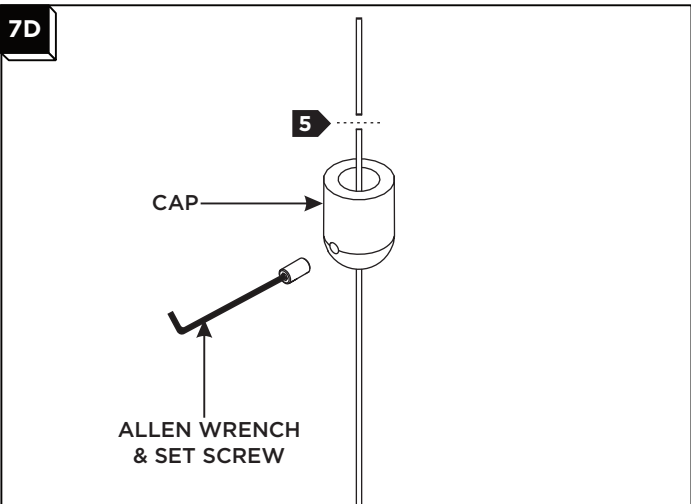
2 Install the anchor to the ceiling up to the threads. Screw it in the rest of the way.

7C

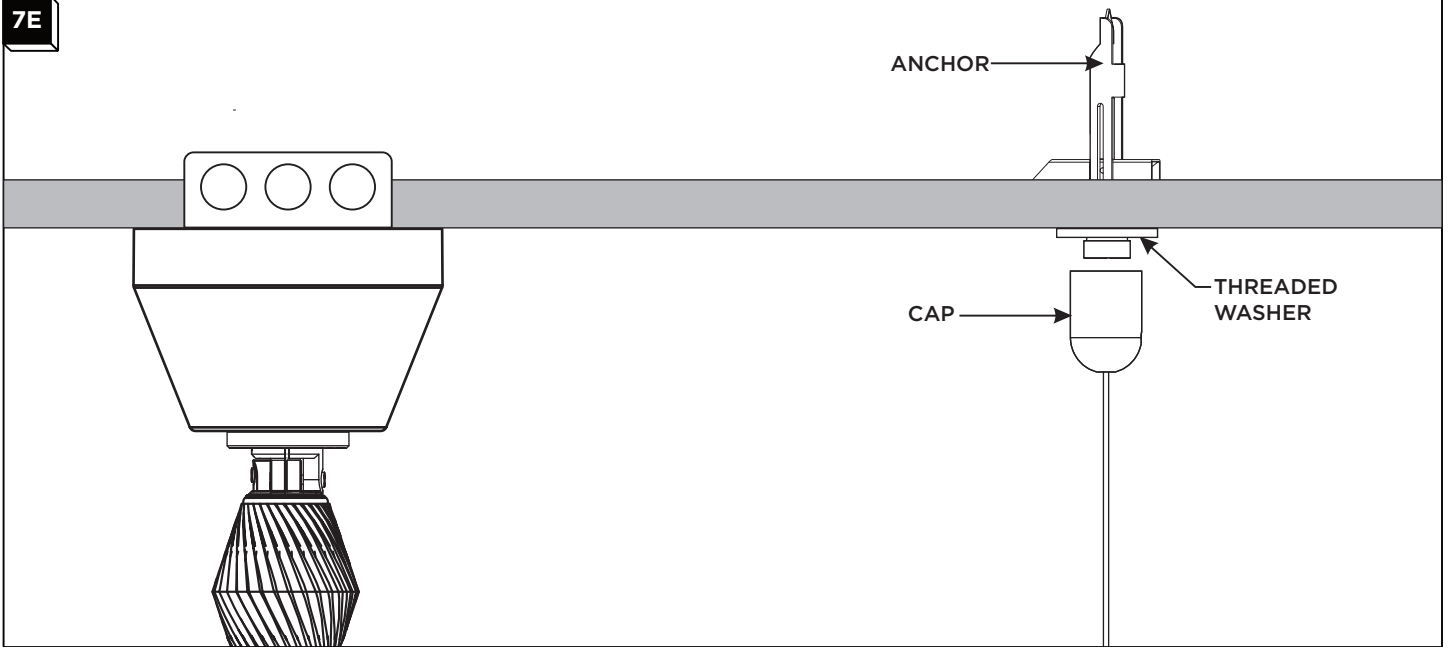


3 Insert the toggle bolt through the threaded washer and secure them in place by screwing in the toggle bolt. Once the toggle bolt has been tightened, the toggle will secure the anchor inside the ceiling.

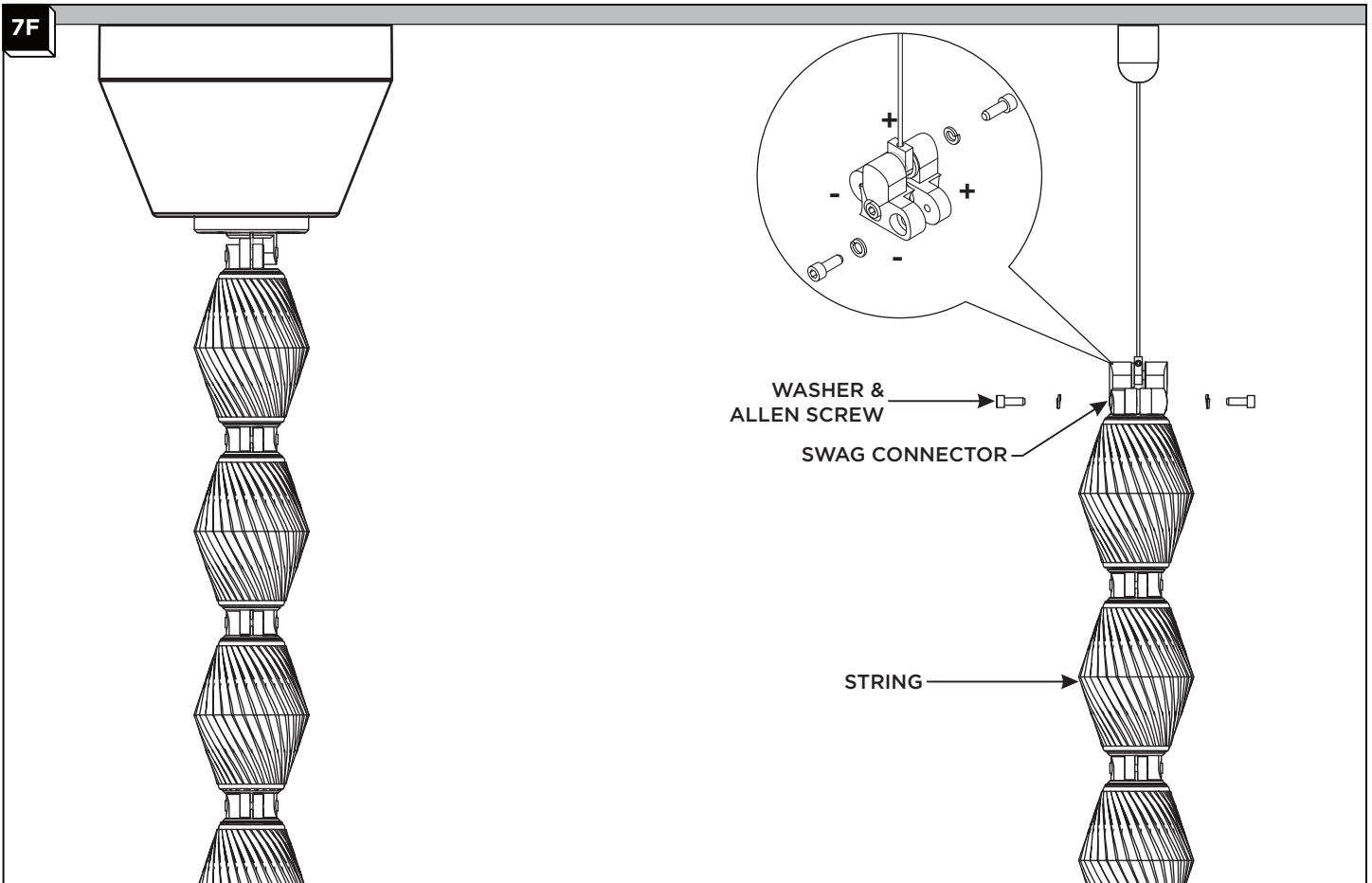
7D



4 Loosen the set screw on the cap with the provided Allen wrench.
 5 Determine the desired length of the aircraft cable and cut the cable to the appropriate length.
 6 Retighten the set screw to secure the aircraft cable



7 Screw the cap onto the threaded washer



8 Connect the free end of a string to the hanging connector using the washers and Allen screws. Take note of the polarity of module to swag connector and ensure the other end matches polarity.

VISUAL COMFORT & CO.

7400 Linder Ave., Skokie, IL 60077

T 847.410.4400 | F

847.410.4500

www.visualcomfort.com