



**LUCCI
AIRFUSION AIRLIE II ECO
CEILING FAN**

- **INSTALLATION**
- **OPERATION**
- **MAINTENANCE**
- **WARRANTY INFORMATION**

CAUTION

**READ INSTRUCTIONS CAREFULLY FOR SAFE
INSTALLATION AND FAN OPERATION.**



THANK YOU FOR PURCHASING

Thank you for purchasing this quality Lucci product. To ensure correct function and safety, please read and keep all instructions before using the product.

SAFETY PRECAUTIONS

Read and Save These Instructions

This product conforms to UL standard 507.

1. **WARNING** -To avoid possible electrical shock, before installing or servicing your fan, disconnect the power by turning off the circuit breaker of the fuse box to the outlet box.
2. **WARNING** - To reduce the risk of fire, electric shock, or personal injury, mount to outlet box marked “acceptable for fan support of 35 lbs (15.9 kg) or less” and use the mounting screws provided with the outlet box and/or support directly from building structure. Most outlet boxes commonly used for the support of luminaires may not be acceptable for fan support and may need to be replaced. Consult a qualified electrician if in doubt.
3. **WARNING** - To reduce the risk of fire or electric shock, do not use this fan with any solid-state speed control device.
4. **WARNING** - To reduce the risk of personal injury, do not bend the blade brackets when installing the blade brackets balancing the blades, or cleaning the fan. Do not insert foreign objects in between rotating fan blades.
5. **CAUTIONS** - All wiring must be in accordance with the National Electrical Code (ANSI/NFPA 70) and local electrical codes. Electrical installation should be performed by a qualified licensed electrician.
6. To reduce the risk of injury to person, the fan must be mounted with a minimum of 7 feet clearance from the bottom edge of the blades to the floor.
7. After marking electrical connections, spliced conductors should be turned upward and pushed carefully up into the outlet box. The wires should be spread apart with the grounded conductor and the equipment-grounding conductor on one side of the outlet box.
8. This equipment has been tested and found to comply with the limits for a Class B digital device, pursuant to part 15 of the FCC rules. These limits are to provide reasonable protection against harmful interference in a residential installation. This equipment generates, uses and can radiate radio frequency energy and if not installed and used in accordance with the instructions may cause harmful interference to radio communications.

PARTS LIST

Unpack your ceiling fan and carefully identify the parts. Please refer to Fig 1.

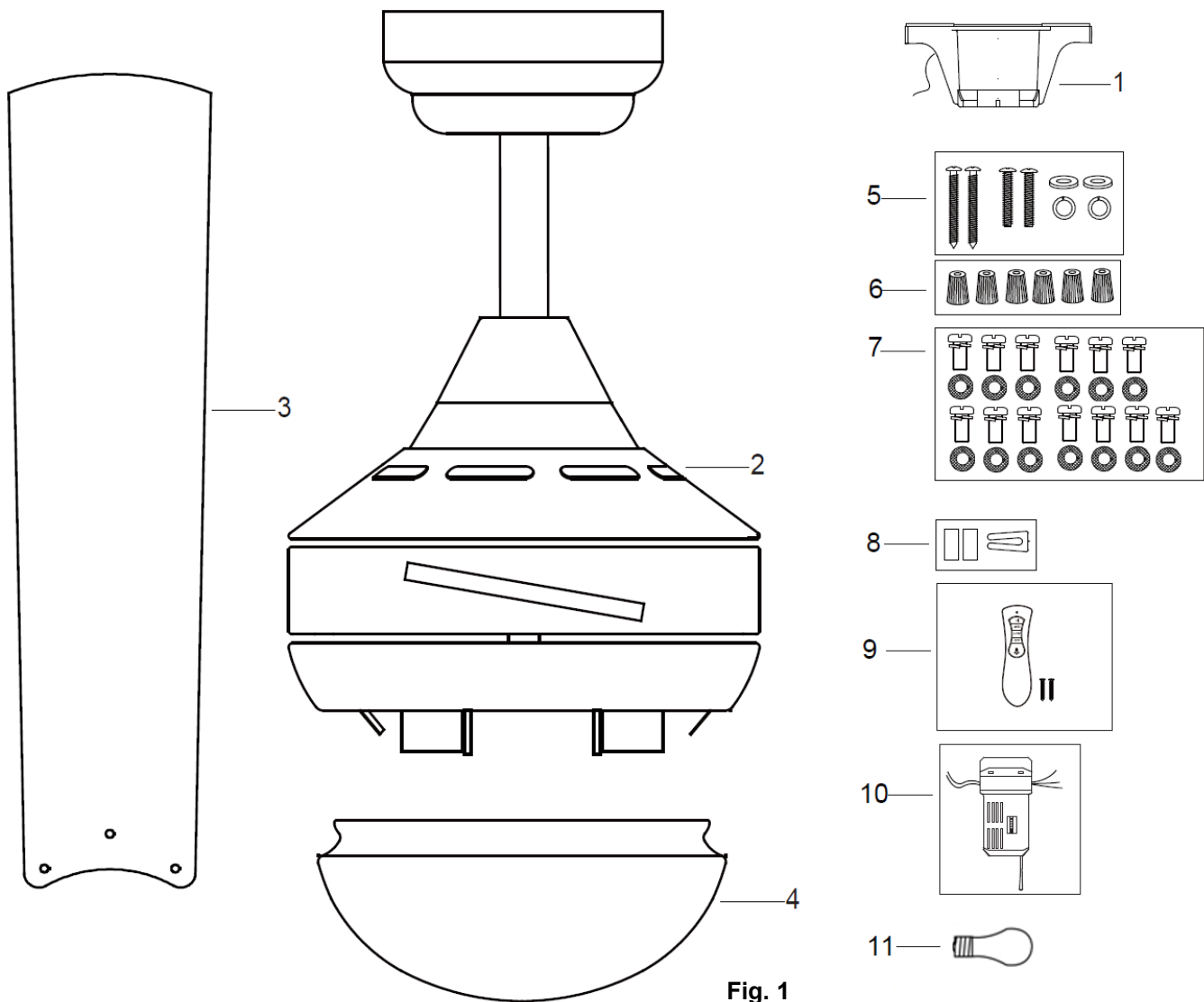


Fig. 1

- | | | | |
|---|---|----|---------------------------------------|
| 1 | Mounting bracket x 1 | 6 | Wire nut x 6 |
| 2 | Pre-assembled fan motor, down rod and canopy x 1 | 7 | motor screw and washer for blade x 13 |
| 3 | Blades x 4 | 8 | Balance kit x 1 set |
| 4 | Glass shade x 1 | 9 | Remote x 1 set |
| 5 | <ul style="list-style-type: none"> • Wood screw x 2 • Machine screw x 2 • Flat washer x 2 • Spring washer x 2 | 10 | Receiver x 1 |
| | | 11 | LED bulb x 2 |

INSTALLING THE MOUNTING BRACKET

If there isn't an existing outlet box, then install one using the following instructions:

- Disconnect the power by removing the fuses or turning off the circuit breakers.
- Secure the outlet box (A) (not included) directly to the building structure. Use appropriate fasteners and materials (not included). The outlet box and its bracing must be able to fully support the weight of the moving fan (at least 35 lbs). Do not use a plastic outlet box.
- Figures below show three different ways to mount the outlet box (A) (not included).

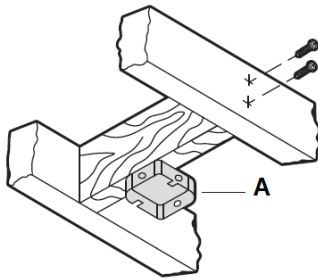


Fig. 2

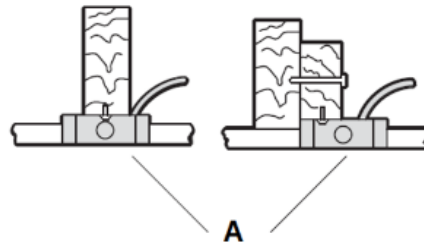


Fig. 3

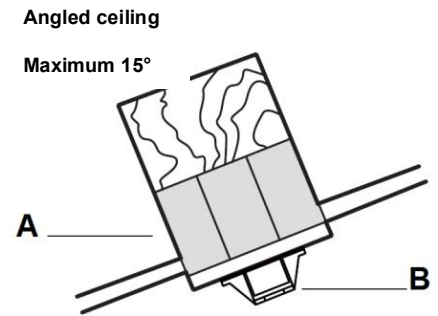


Fig. 4

This fan hanging system supports a maximum 15 degree angled ceiling installation. **Fig. 4**

NOTE: If you are installing the ceiling fan on a sloped ceiling, you may need a longer downrod to maintain proper clearance between the tip of the blade and the ceiling.

NOTE: The ceiling fan must be installed in a location so that the blades are spaced 300mm from the tip of the blade to the nearest objects or walls.

NOTE: For angled ceiling installation, the opening of the mounting bracket (B) must be pointed toward the peak.

To hang your fan where there is an existing fixture but no ceiling joist, you may need an installation hanger bar (C) as shown in **Fig.5**. Make sure the hanger bar you purchase has been designed for use with ceiling fans.

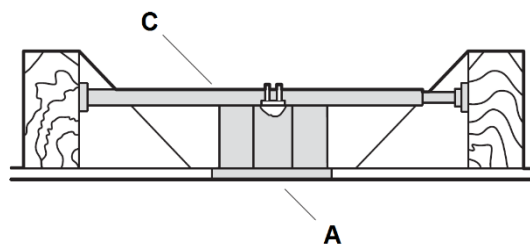


Fig. 5

HANGING THE FAN

Pass the power supply wires (C) from the ceiling outlet box (B) through the center of the ceiling mounting bracket (D). Install the ceiling mounting bracket (D) on the outlet box (B) with the mounting screws (F) provided with the outlet box and washers (E) provided with fan. **Fig. 6**

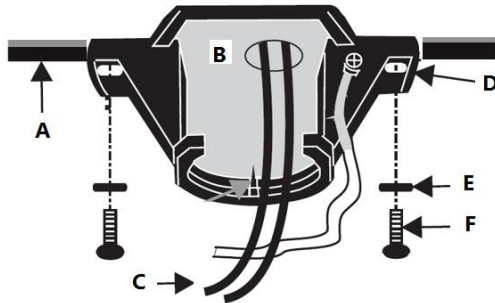


Fig. 6

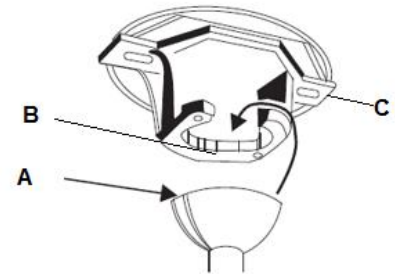


Fig. 7

Lift the fan assembly onto the mounting bracket. Ensure the registration slot (A) of the hanger ball is positioned on the stopper (B) of the mounting bracket (C) to prevent the fan from rotating when in operation. **Fig.7**

INSTALLING THE FAN

Blade attachment

1. Remove the two screws (1) from the covering plate (2) on the top of the motor housing, and remove the plate.
2. Insert the blade (4) into the square slot of the motor.
3. Secure the blade on the bracket by using 3 motor screws with washer (3), ensuring they are tightened simultaneously.
4. Once completed, repeat the process on the remaining blades.
5. Replace the covering plate on top of the motor housing.

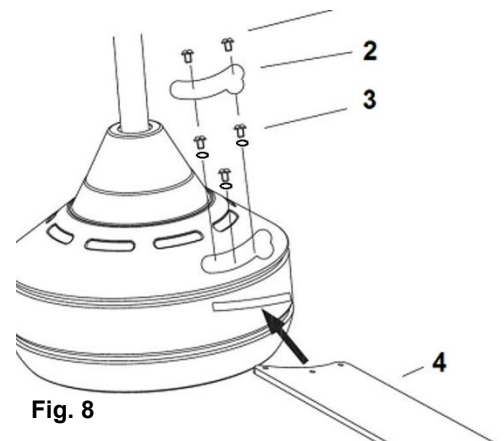


Fig. 8

LIGHT KIT INSTALLATION

CAUTION – To reduce the risk of electric shock, disconnect the electrical supply circuit to the fan before installing light kit. Light kit weight: 1.66 lb.

1. Install the bulbs.
2. Lift and attach the glass to the lamp base and secure it by spring clips.

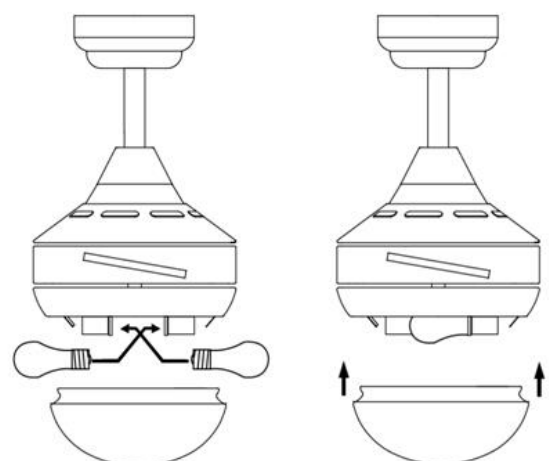


Fig. 9

ELECTRICAL WIRING DIAGRAM

WARNING: To avoid possible electrical shock, be sure you have turned off the power at the main circuit panel.

Follow the steps below to connect the fan to your household wiring. Use the wire connecting nuts supplied with your fan. Secure the connectors with electrical tape. Make sure there are no loose wire strands or connections.

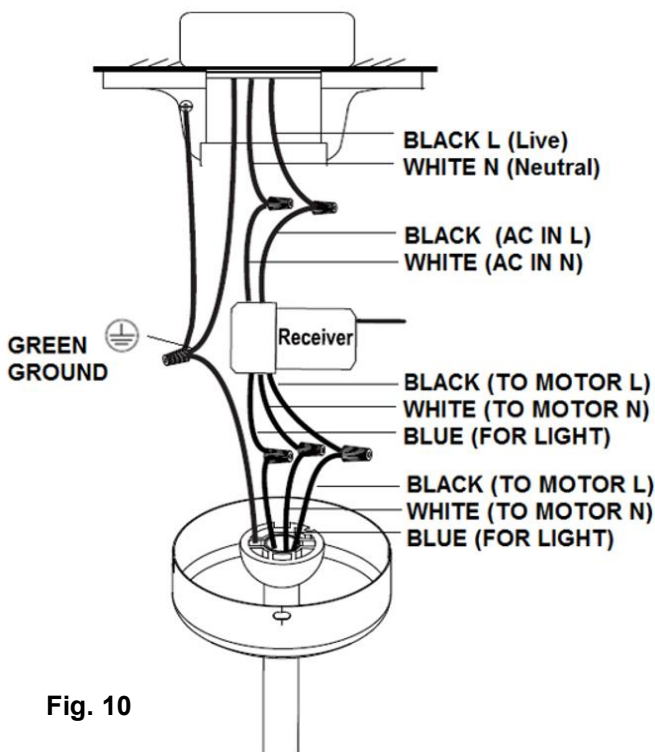
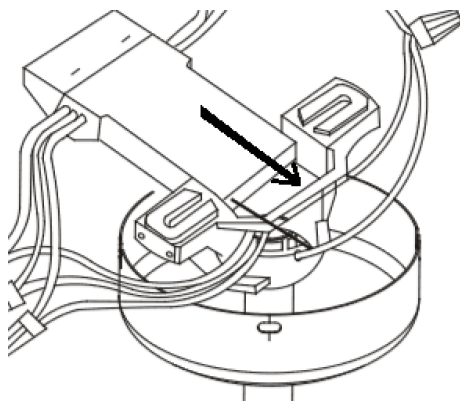


Fig. 10



1. Connect the household live supply wire (black) to receiver input wire (black, AC IN L) as shown in **Fig. 10**.
2. Connect the household neutral supply wire (white) to the receiver input wire (white, AC IN N).
3. Connect the household ground wire to the fan bracket ground wire (green) and fan body ground wire.
4. Connect the receiver output wire (black, TO MOTOR L) to motor live input wire (black, TO MOTOR L).
5. Connect the receiver output wire (white, TO MOTOR N) to motor neutral input wire (white, TO MOTOR N).
6. Connect the receiver output wire (blue, FOR LIGHT) to fan light live input wire (blue, FOR LIGHT).
7. After connecting the wires, spread them apart so that the green and white wires are on one side of the outlet box and the black and blue wires are on the other side.
8. Turn the connecting nuts upward and push the wiring into the outlet box.

FINISHING THE INSTALLATION

Slide and align the canopy up to the mounting bracket. Ensure all electrical wiring is tucked inside the canopy and that the wires are not damaged during this step. Secure the canopy to the hanger bracket using the screws provided.



Fig. 11

USING YOUR CEILING FAN

SETTING DIP SWITCHES

When two or more fans are located near each other, you may desire to have the receiver/transmitter for each fan set to a different code, so that the operation of one fan does not affect the operation of the other fans.

The DIP switches for the receiver are located on the flat surface of the receiver. The DIP switches for the transmitter are in the battery compartment. **Fig. 12.**

NOTE: Ensure that the power to the supply wires has been turned off before setting the code.

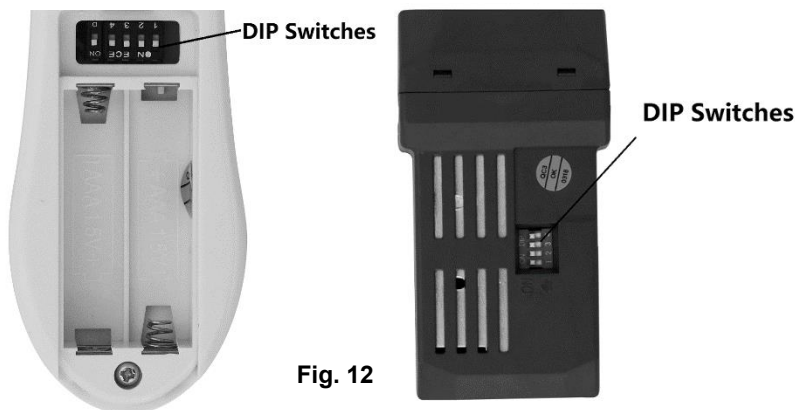


Fig. 12

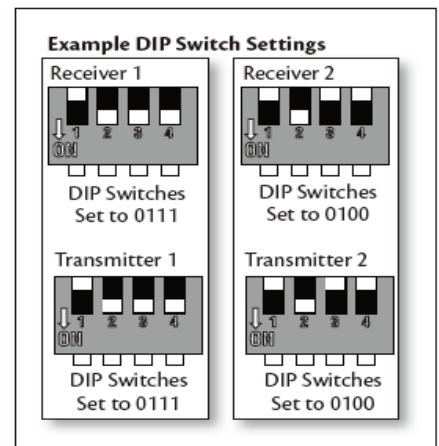


Fig. 13

Change the position of the DIP switches in the remote transmitter and the receiver. Make sure that the DIP switches match in the remote receiver and transmitter. If they don't match, the transmitter will not function. **Fig. 13**

INSTALLING THE REMOTE BATTERY

2 x AAA 1.5V (size) batteries are required to operate the remote control. Remove the battery cover from the back of the remote and insert 2 x AAA batteries. Ensure the polarities are correct as shown in the battery compartment. (Batteries included.)

OPERATING THE REMOTE:

Before you start using the remote, take the time to read through this section and get familiar with the buttons and function of each button.

LED Indicator

The red LED indicator on the top of the transmitter will flash when the buttons are active.

BUTTONS ON THE REMOTE

HI: Press the button to set fan running at High speed.

MED: Press the button to set fan running at Medium speed.

LOW: Press the button to set fan running at Low speed.

OFF: Press the button to turn OFF the fan.



LIGHT CONTROL BUTTON:

Press the button to turn the light ON/OFF.

Press and hold the button to access the light dimming function.

D / ON SWITCH :

This switch marked **D/ON** controls the dimming function of the lights. If using non-dimmable bulbs, use a ballpoint pen or small screwdriver to set the switch to “**D**” to disable the dimming function. If using dimmable halogen bulbs, set the switch to “**ON**” to enable the dimming function. **Fig. 15**



Fig. 14



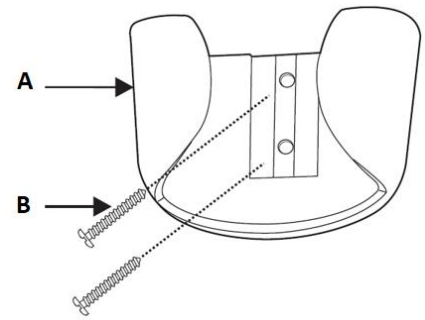
Fig. 15

The remote has memory function. If the fan or light is turned off by the isolating switch, it will memorise and recover the last status when turned on next.

INSTALLING THE TRANSMITTER HOLDER

Install the holder to the wall with two screws provided, hang up the transmitter by the holder.

Fig. 16



REVERSING SWITCH

Your ceiling fan can operate in either summer or winter mode.

SUMMER Mode: The reverse switch shall be in the “down” (SUMMER) position to make the fan rotate in an anticlockwise direction. The airflow will be directed downwards, for cooling in summer.

WINTER Mode: The reverse switch shall be in the “up” (WINTER) position to make the fan rotate in a clockwise direction. The airflow will be directed upwards assisting in the circulation of warm air, for energy conservation in winter.

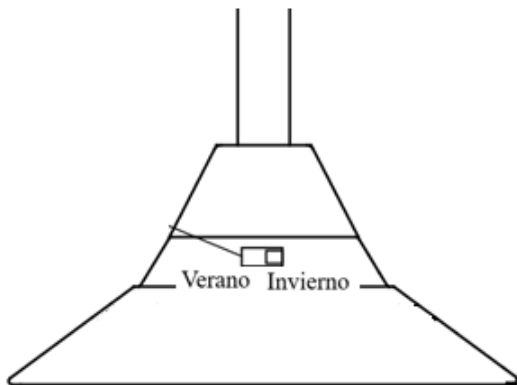
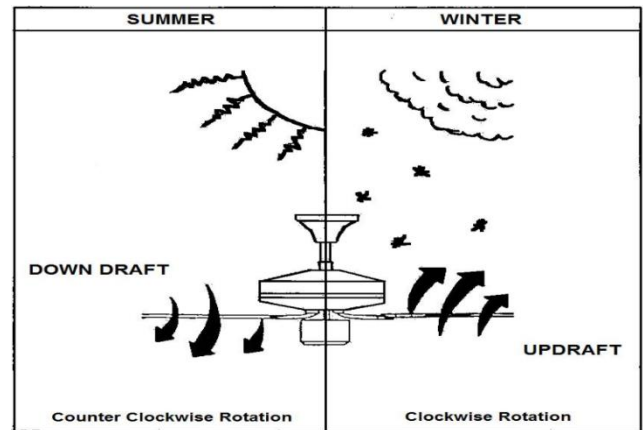


Fig. 17



AFTER INSTALLATION

WOBBLE:

NOTE: ceiling fans tend to move during operation due to the fact that they are mounted on a rubber grommet. If the fan was mounted rigidly to the ceiling it would cause excessive vibration. Movement of a few centimetres is quite acceptable and DOES NOT suggest any problem.

TO REDUCE THE FAN WOBBLE: Please check that all screws which fix the mounting bracket and down rod are secure.

BALANCING KIT: A balancing kit is provided to balance the ceiling fan on initial installation. Please refer to the instruction on how to use the balancing kit. The balancing kit can be used to assist re-balancing should the ceiling fan become un-balanced again. Store your balancing kit away after installation for future use if required.

NOISE:

When it is quiet (especially at night) you may hear occasional small noises. Slight power fluctuations and frequency signals superimposed in the electricity for off-peak hot water control, may cause a change in fan motor noise. This is normal. Please allow a 24-hour “settling-in” period, most noises associated with a new fan disappear during this time.

The manufacturer’s warranty covers actual faults that may develop and NOT minor complaints such as hearing the motor run – All electric motors are audible to some extent.

CARE AND CLEANING:

- Periodic cleaning of your ceiling fan is the only maintenance required. Use a soft brush or lint free cloth to avoid scratching the paint finish. Please turn off electricity power when you do so.
- Do not immerse your ceiling fan in the water. It could damage the motor or the blades and create the possibility of an electrical shock.
- Ensure that the fitting does not come in contact with any organic solvents or cleaners.
- To clean the fan blade, wipe with only a damp clean cloth with NO organic solvents or cleaners.
- The motor has a permanently lubricated ball bearing so there is no need to oil.

NOTE: Always turn OFF the power at the mains switch before attempting to clean your fan.

TECHNICAL INFORMATION

Fan Size	Speed	Volts (V)	Amps (A)	Watts (W)	RPM	CFM	CFM/ W	N.W. (lbs)	G.W. (lbs)	C.F.
LD-AIRLIE II -52L- /XX/01	Extra-High	120	0.48	59.76W	220	4873.2	81.55	12.1	13.6	1.3
	Medium High	120	0.26	30.6W	150	3322.04	108.56	12.1	13.6	1.3
	Low	120	0.10	12.39W	90	1455.31	117.46	12.1	13.6	1.3

These are approximate measurements. They do not include data for any lamps or fixtures attached to the ceiling fan.

WARRANTY

2 year warranty covers the entire fan. Please refer to warranty card for the details.

**GRACIAS POR SU COMPRA**

Gracias por adquirir este producto de calidad Lucci. Para garantizar un funcionamiento correcto y seguro, lea y respete todas las instrucciones antes de usar el producto.

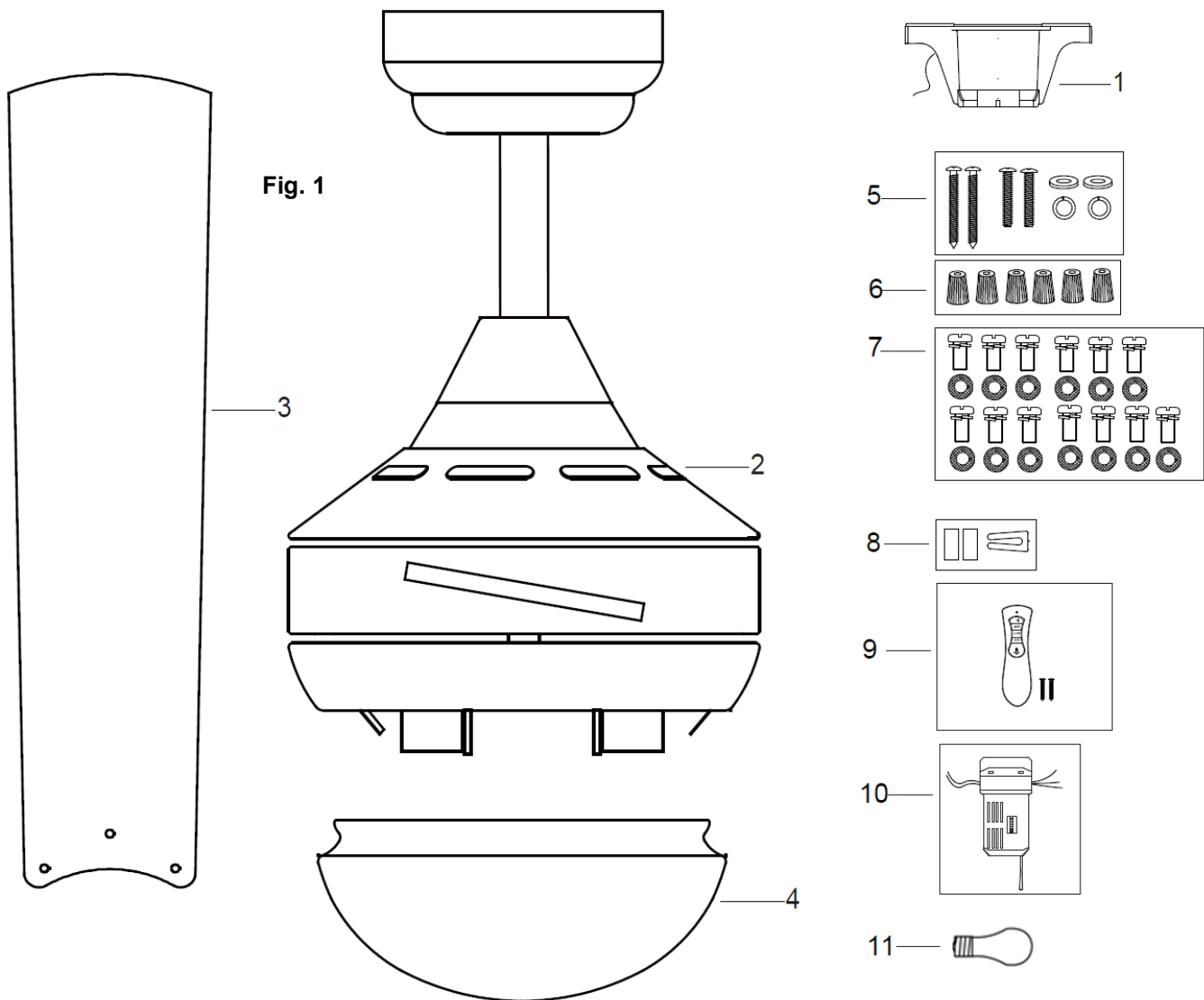
MEDIDAS DE SEGURIDAD**Lea y guarde estas instrucciones**

Este producto cumple con la norma 507 de UL.

1. **ADVERTENCIA** - Para evitar posibles descargas eléctricas, corte la corriente que va a la caja eléctrica desde el disyuntor o la caja de fusibles.
2. **ADVERTENCIA** - Para reducir el riesgo de incendio, descarga eléctrica o lesión, móntelo en una caja eléctrica clasificada como «Apropiada para sostener ventiladores de 35 lb (15,9 kg) o menos», y utilice los tornillos de montaje suministrados con la caja eléctrica y/o fíjelo directamente a la estructura del edificio. La mayoría de las cajas eléctricas utilizadas comúnmente para el soporte de alumbrados puede que no sean apropiadas para sostener el ventilador y deban ser reemplazadas. Consulte con un electricista cualificado en caso de duda.
3. **ADVERTENCIA** - Para reducir el riesgo de incendio o electrocución, evite utilizar el ventilador con un dispositivo semiconductor para el control de la velocidad.
4. **ADVERTENCIA** - Para reducir el riesgo de lesión, no doble los soportes de las aspas cuando los instale en el que equilibran las aspas, o cuando limpie el ventilador. No inserte objetos entre las aspas en rotación.
5. **PRECAUCIÓN** - Todo el cableado debe realizarse cumpliendo con el Código Eléctrico Nacional (ANSI/NFPA 70) y los reglamentos de electricidad locales. La instalación eléctrica debería efectuarla un electricista acreditado.
6. Para reducir el riesgo de lesiones a personas, el ventilador debe montarse dejando un espacio mínimo de 2,1m desde el lado inferior de las aspas hasta el suelo.
7. Después de realizar las conexiones eléctricas, los conductores empalmados deben reorientarse hacia arriba y empujarse con cuidado hacia el interior de la caja eléctrica. Los cables deben quedar apartados, con el conductor de tierra y el conductor de tierra del dispositivo a un lado de la caja eléctrica.
8. Tras someterlo a una serie de pruebas, se ha constatado que este aparato cumple los límites exigidos para dispositivos digitales pertenecientes a la Categoría B, según lo establecido en la sección 15 de la legislación de la FCC. Estos límites están diseñados para proporcionar una protección razonable contra interferencias en instalaciones residenciales. Este aparato genera, usa y puede irradiar energía en forma de radiofrecuencia. En caso de no ser instalado y utilizado de acuerdo con las instrucciones, podría causar interferencias en las comunicaciones de radio.

LISTA DE PIEZAS

Desembale su ventilador de techo e identifique perfectamente sus componentes. Consulte la Fig. 1.



- | | | | |
|---|--|----|---|
| 1 | Soporte de montaje x 1 | 6 | Tuerca de alambre x 6 |
| 2 | Motor del ventilador, tija y florón
preensamblados x 1 | 7 | Tornillo de motor y arandela para aspa x 13 |
| 3 | Aspas x 4 | 8 | Kit de equilibrado x 1 juego |
| 4 | Pantalla de la lámpara x 1 | 9 | Mando a distancia x 1 juego |
| 5 | <ul style="list-style-type: none"> • Tornillo para madera x 2 • Tornillo para metal x 2 • Arandela plana x 2 • Arandela de resorte x 2 | 10 | Receptor x 1 |
| | | 11 | Bombilla x 2 |

INSTALACIÓN DEL SOPORTE MURAL

Si no hay una caja eléctrica ya instalada, instale una siguiendo estas instrucciones:

- Corte la corriente quitando los fusibles o bajando los disyuntores.
- Asegure la caja eléctrica (A) (no incluida) directamente a la estructura del edificio. Utilice los elementos y materiales de fijación apropiados (no incluidos). La caja eléctrica y su apuntalamiento deben ser capaces de soportar el peso del ventilador en movimiento (15,9 kg como mínimo). No utilice una caja eléctrica de plástico.
- Las imágenes más abajo muestran tres maneras diferentes de montar la caja eléctrica (A) (no incluida).

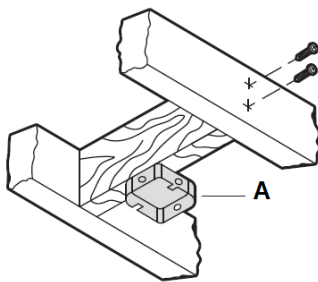


Fig. 2

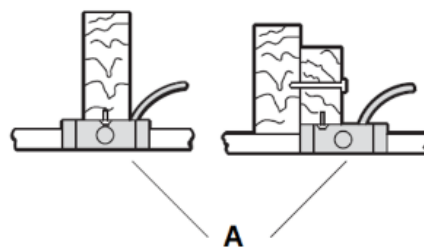


Fig. 3

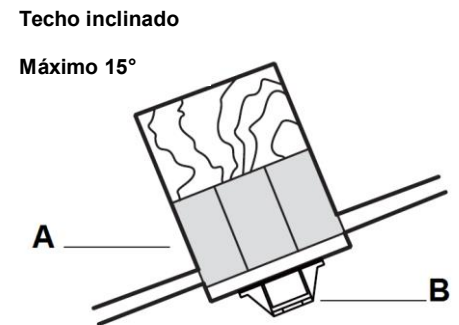


Fig. 4

Este ventilador con sistema colgante puede ser instalado en un techo con una inclinación máxima de 15 grados. **Fig. 4**

NOTA: Si está instalando el ventilador en un techo inclinado, puede que sea necesario utilizar una tija más larga para mantener el espacio necesario entre el extremo del aspa y el techo.

NOTA: El ventilador de techo debe instalarse en un lugar donde los extremos de las aspas queden a 300 mm como mínimo de las paredes y otros objetos.

NOTA: Para la instalación en techos inclinados, la abertura del soporte del ventilador (B) debe apuntar hacia el pico del techo.

Para colgar su ventilador donde ya haya un elemento de instalación pero sin vigas, puede que necesite instalar una barra para colgar (C) como la mostrada en la imagen 5. Asegúrese de que la barra de colgar que adquiera haya sido diseñada para usarse con ventiladores de techo.

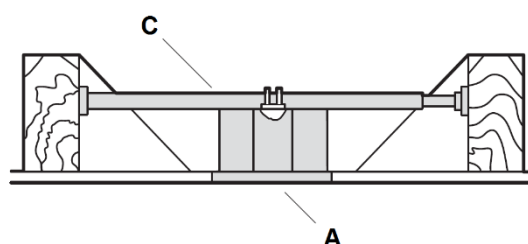


Fig. 5

CÓMO COLGAR EL VENTILADOR

Pase los cables de corriente (C) de la caja eléctrica del techo (B) por el centro del soporte mural del techo (D). Instale el soporte mural del techo (D) en la caja eléctrica (B) con los tornillos de montaje (F) incluidos con la caja eléctrica y las arandelas (E) incluidas con el ventilador. **Fig. 6**

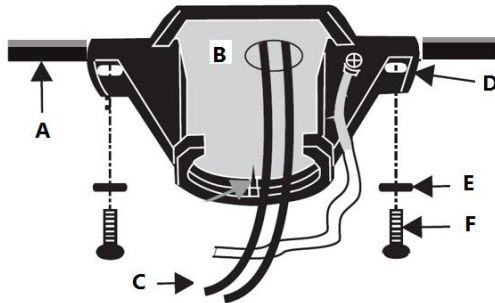


Fig. 6

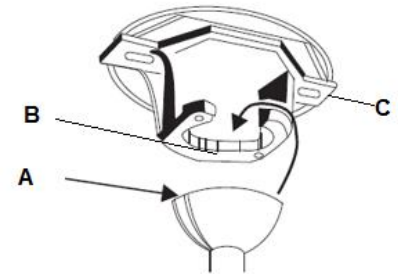


Fig. 7

Levante el conjunto del ventilador y móntelo en el soporte mural. Asegúrese de que la ranura de registro (A) de la bola de la tija esté posicionada sobre el tope (B) del soporte mural (C) para que el ventilador no pueda girar cuando esté funcionando. **Fig. 7**

INSTALACIÓN DEL VENTILADOR

Instalación de las aspas

1. Retire los dos tornillos (1) de la placa de cobertura (2) ubicada en la parte superior de la carcasa del motor y retire la placa.
2. Inserte el aspa (4) en la ranura cuadrada del motor.
3. Fije el aspa en el soporte con 3 tornillos para el motor con arandela (3) asegurándose de apretarlos al mismo tiempo.
4. Una vez hecho esto, repita el proceso para el resto de las aspas.
5. Vuelva a colocar la placa de cubierta sobre la parte superior de la carcasa del motor.

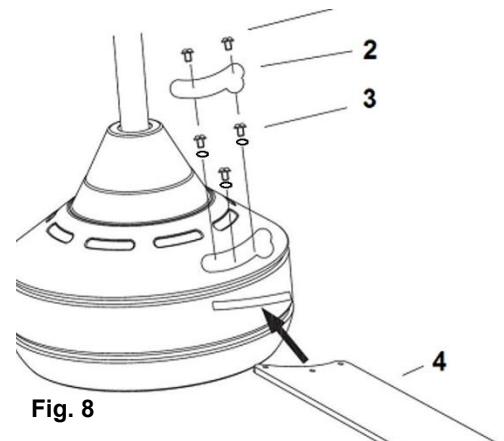


Fig. 8

INSTALACIÓN DEL KIT DE LUZ

PRECAUCIÓN – Para disminuir el riesgo de descargas eléctricas, desconecte el circuito de suministro eléctrico del ventilador antes de instalar el kit de la luz. Peso del kit de luz: 1,66 lb.

1. Instale las bombillas.
2. Levante y fije el cristal a la base y asegúrelo usando los clips de resorte.

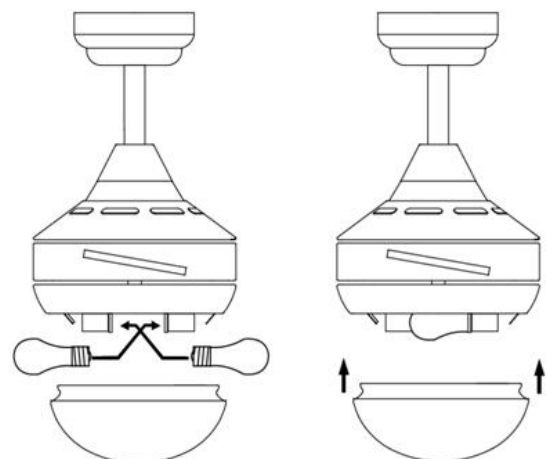
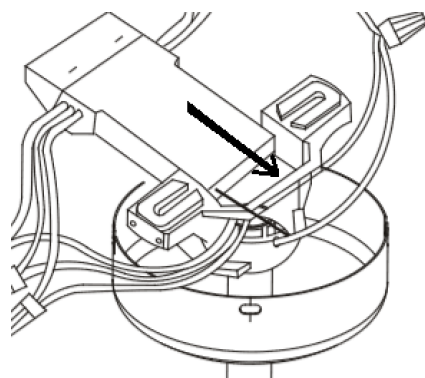
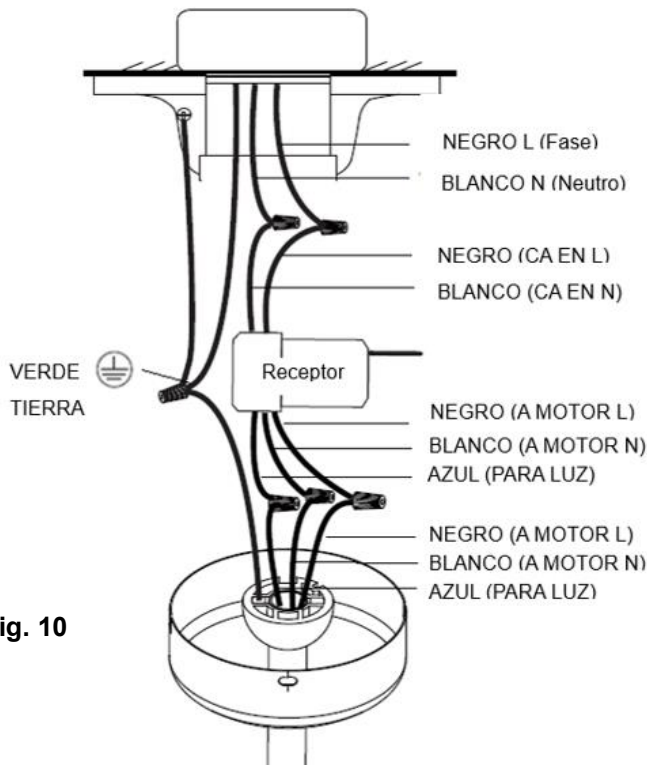


Fig. 9

DIAGRAMA DE CONEXIONES ELÉCTRICAS

ADVERTENCIA: Para evitar posibles descargas eléctricas, asegúrese de que la corriente esté cortada en el cuadro de distribución.

Siga los pasos siguientes para conectar el ventilador al cableado doméstico. Utilice las tuercas de conexión de alambre suministradas con su ventilador. Asegure los conectores con cinta aislante. Asegúrese de que no haya hilos de cable o conexiones sueltos.



1. Conecte el cable de fase doméstico (negro) al cable de entrada del receptor (negro, CA EN L) como muestra la **Fig. 10**.
2. Conecte el cable neutro doméstico (blanco) al cable de entrada del receptor (blanco, CA EN N).
3. Conecte el cable de tierra doméstico al cable de tierra del soporte del ventilador (verde) y al cable de tierra del cuerpo del ventilador.
4. Conecte el cable de salida del receptor (negro, A MOTOR L) al cable de entrada de fase del motor (negro, A MOTOR L).
5. Conecte el cable de salida del receptor (blanco, A MOTOR N) al cable de entrada de neutro del motor (blanco, A MOTOR N).
6. Conecte el cable de salida del receptor (azul, PARA LUZ) al cable de entrada de fase de la luz del ventilador (azul, PARA LUZ).
7. Tras conectar los cables, apártelos unos de otros de manera que los cables verdes y blancos queden a un lado de la caja eléctrica y los cables negro y azul queden al otro lado.
8. Oriente las tuercas de alambre hacia arriba y empuje los cables hacia el interior de la caja eléctrica.

CÓMO FINALIZAR LA INSTALACIÓN

Deslice hacia arriba y alinee el florón con el soporte mural. Asegúrese de que todo el cableado eléctrico quede insertado dentro del florón y de que los cables no se dañen durante este paso. Fije el florón al soporte del colgador utilizando los tornillos suministrados.



Fig. 11

MODO DE EMPLEO DEL VENTILADOR DE TECHO

COLOCACIÓN DE LOS INTERRUPTORES DIP

Cuando haya dos o más ventiladores próximos, tal vez desee ajustar el transmisor/receptor de cada ventilador con un código diferente, de manera que el funcionamiento de un ventilador no afecte al de otro.

Los interruptores DIP del receptor se encuentran ubicados sobre la superficie plana del receptor. Los interruptores DIP del transmisor se encuentran en el compartimento de la batería. **Fig. 12.**

NOTA: Asegúrese de que se haya desconectado la alimentación a los cables de corriente antes de establecer el código.

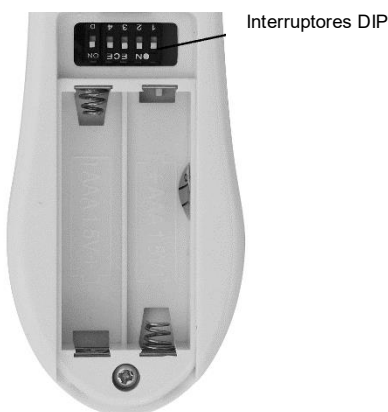


Fig. 12

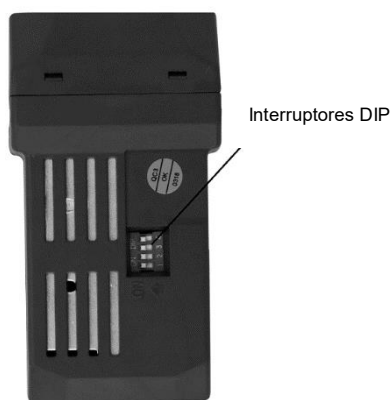
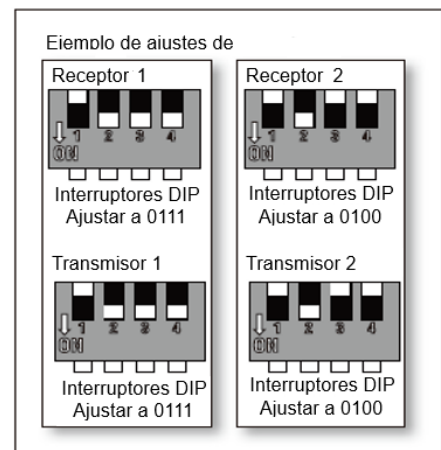


Fig. 13



Cambie la posición de los interruptores DIP en el transmisor remoto y el receptor. Asegúrese de que los interruptores DIP coincidan en el receptor remoto y en el transmisor. Si no coincidieran, el transmisor no funcionará. Fig. 13

INSTALACIÓN DE LAS PILAS DEL MANDO A DISTANCIA

El mando a distancia funciona con 2 pilas AAA de 1,5V. Retire la tapa del compartimiento de las pilas ubicada en la parte posterior del mando de distancia e inserte 2 pilas de tipo AAA. Asegúrese de que la polaridad es la correcta, tal y como se indica en el compartimiento de la batería. (Pilas incluidas).

OPERACIÓN DEL CONTROL REMOTO:

Antes de comenzar a utilizar el control remoto, lea las instrucciones de esta sección para familiarizarse con los botones y la función de cada botón.

Indicador LED: El indicador LED rojo en la parte superior del transmisor parpadeará cuando los botones están activos.

BOTONES DEL CONTROL REMOTO

ALTO: Presione este botón para ajustar el ventilador a velocidad alta.

MEDIO: Presione este botón para ajustar el ventilador a velocidad media.

BAJO: Presione este botón para ajustar el ventilador a velocidad baja.

APAGADO: Presione este botón para apagar el ventilador.



BOTÓN DE CONTROL DE LA LUZ:

Pulse este botón para apagar o encender la luz.

Mantenga pulsado el botón para acceder a las funciones de regulación de la luz.



Fig. 14

INTERRUPTOR D/ON :

El interruptor con el símbolo **D/ON** controla la función de regulación de las luces. Si las bombillas utilizadas no son regulables, utilice un bolígrafo de punta de bola o un destornillador pequeño para ajustar el interruptor a «**D**» y deshabilitar la función de regulación de la luz. Si utiliza bombillas halógenas regulables, ajuste el interruptor a «**ON**» para habilitar la función de regulación de la luz. **Fig. 15**



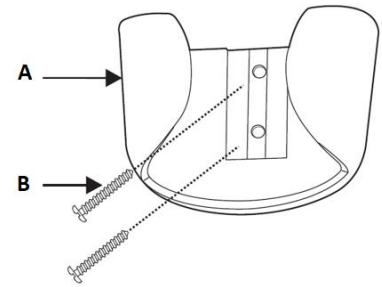
Fig. 15

El control remoto tiene función de memoria. Si el ventilador o la luz se apaga con el interruptor de aislamiento, memorizará y recuperará la condición cuando se encienda nuevamente.

INSTALACIÓN DEL PORTAMANDO

Instale el soporte en la pared con los dos tornillos suministrados y cuelgue el transmisor junto al soporte.

Fig. 16



Funcionamiento reversible

Su ventilador puede girar en dirección de reloj o en la contraria.

Modo VERANO: Si el interruptor para dirección del giro está hacia “abajo” (SUMMER) el ventilador girará en dirección de reloj. El flujo de aire estará dirigido hacia abajo para enfriar con una brisa directa.

Modo INVIERNO: Si el interruptor para dirección del giro está hacia “arriba” (WINTER) el ventilador girará contra dirección de reloj. El flujo de aire estará dirigido hacia el techo para distribuir el aire caliente cerca del techo.

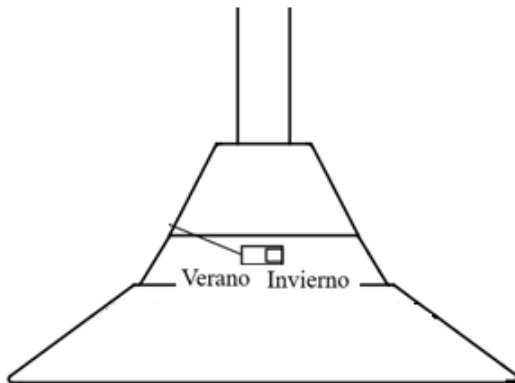
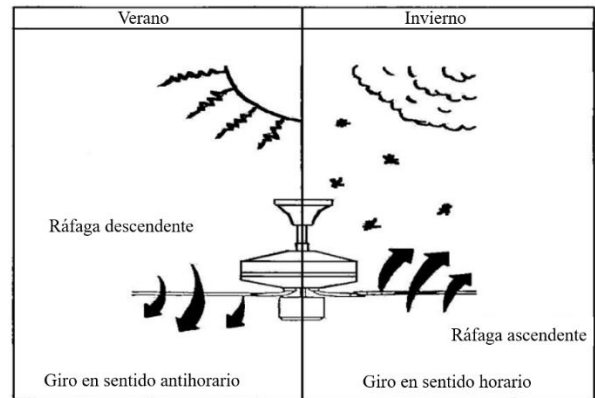


Fig.17



DESPUÉS DE LA INSTALACIÓN

BALANCEO DEL EJE:

Nota: los ventiladores de techo tienden a moverse durante su funcionamiento debido al hecho de que están montados sobre un ojal de goma. Si el ventilador se monta de forma rígida en el techo podría provocar una vibración excesiva. El movimiento de unos centímetros es bastante aceptable y no sugiere ningún problema.

PARA REDUCIR EL BALANCEO DEL EJE DEL VENTILADOR: por favor, compruebe que todos los tornillos que se fijan a la abrazadera de montaje y a la varilla vertical están seguros.

KIT DE EQUILIBRADO: se suministra un kit de equilibrado en la instalación inicial. Por favor, remítase a las instrucciones sobre cómo usar el kit de equilibrado. Se puede usar el kit de equilibrado para ayudar a volver a equilibrarse en caso de que el ventilador de techo se vuelva a desequilibrar. Guarde el kit de equilibrado tras la instalación para su uso futuro si es necesario.

RUIDO:

Cuando todo esté silencioso (en especial por la noche) puede oír pequeños ruidos ocasionales. Las ligeras fluctuaciones de corriente y de señales de frecuencia superpuestas en la electricidad para el control de agua

caliente fuera de las horas punta pueden provocar un cambio en el ruido del motor del ventilador. Esto es normal. Por favor, deje un periodo de “instalación” de 24 horas; la mayoría de los ruidos asociados con un ventilador nuevo desaparecen durante este tiempo. La garantía del fabricante cubre los fallos reales que pueden producirse y NO pequeñas quejas como oír el funcionamiento del motor – Todos los motores eléctricos se oyen hasta cierto punto.

CUIDADO Y MANTENIMIENTO :

- 1) La limpieza periódica de su ventilador de techo es el único mantenimiento que se requiere. Utilice un cepillo blando o un paño que no deje pelusa para no arañar el acabado de pintura. Por favor, corte la corriente cuando haga esto.
- 2) No sumerja el ventilador de techo en el agua, dado que podría dañar el motor o las aspas y causar posibles descargas eléctricas.
- 3) Asegúrese de que la luminaria no entre en contacto con limpiadores o disolventes orgánicos.
- 4) Para limpiar las aspas del ventilador, utilice solamente un paño limpio y húmedo SIN limpiadores o disolventes orgánicos.
- 5) El motor tiene un rodamiento con lubricación permanente, por lo que no es necesario engrasarlo.

NOTA: Corte siempre la corriente antes de limpiar el ventilador.

INFORMACIÓN TÉCNICA

Dimensiones del ventilador	Velocidad	Voltios (V)	Amperios (A)	Vatios (W)	RPM	CFM	CFM/W	Peso neto (lb)	Peso bruto (lb)	C.F.
LD-AIRLIE II - 52L-/XX/01	Extra-High	120	0.48	59.76W	220	4873.2	81.55	12.1	13.6	1.3
	Medium High	120	0.26	30.6W	150	3322.04	108.56	12.1	13.6	1.3
	Low	120	0.10	12.39W	90	1455.31	117.46	12.1	13.6	1.3

Éstas son medidas aproximadas. No incluyen datos de ninguna de las lámparas o luces que van instaladas al ventilador de techo.

GARANTÍA

El ventilador en su conjunto está cubierto por una garantía de 2 años. Por favor, consulte la tarjeta de garantía para más información.