



**LUCCI
CLIMATE II
DC CEILING FAN**

- **INSTALLATION**
- **OPERATION**
- **MAINTENANCE**
- **WARRANTY INFORMATION**

CAUTION
**READ INSTRUCTIONS CAREFULLY FOR SAFE
INSTALLATION AND FAN OPERATION.**



CONGRATULATIONS ON YOUR PURCHASE

Congratulations on purchasing the latest in energy saving ceiling fans. This fan runs on DC (direct current) power which gives it the benefit of being super energy efficient whilst still maintaining high volume air-movement and silent operation.

Energy Saving - The DC motor is the latest technology in fan design. Its highly efficient motor saves up to 65% more energy than ceiling fans with traditional AC motors.

Silent operation – This DC fan motor is programmed with a stabilised current which efficiently reduces motor noise.

Low operating temperature – The DC power is managed effectively which brings down the motor operating temperature to less than 50°C. This results in a much cooler motor than a standard AC fan and increases the longevity of the motor.

6 speed remote control - Regular AC ceiling fans usually come with only 3 speeds, this DC fan comes complete with a 6 speed remote, which gives greater choice of comfort levels.

SAFETY PRECAUTIONS

Read and Save These Instructions

This product conforms to UL standard 507.

1. **WARNING** -To avoid possible electrical shock, before installing or servicing your fan, disconnect the power by turning off the circuit breaker of the fuse box to the outlet box.
2. **WARNING** - To reduce the risk of fire, electric shock, or personal injury, mount to outlet box marked “acceptable for fan support of 35 lbs (15.9 kg) or less” and use the mounting screws provided with the outlet box and/or support directly from building structure. Most outlet boxes commonly used for the support of luminaires may not be acceptable for fan support and may need to be replaced. Consult a qualified electrician if in doubt.
3. **WARNING** - To reduce the risk of fire or electric shock, do not use this fan with any solid-state speed control device.
4. **WARNING** - To reduce the risk of personal injury, do not bend the blade brackets when installing the blade brackets balancing the blades, or cleaning the fan. Do not insert foreign objects in between rotating fan blades.
5. **CAUTIONS** - All wiring must be in accordance with the National Electrical Code (ANSI/NFPA 70) and local electrical codes. Electrical installation should be performed by a qualified licensed electrician.
6. To reduce the risk of injury to person, the fan must be mounted with a minimum of 7 feet clearance from the bottom edge of the blades to the floor.
7. After marking electrical connections, spliced conductors should be turned upward and pushed carefully up into the outlet box. The wires should be spread apart with the grounded conductor and the equipment-grounding conductor on one side of the outlet box.
8. This equipment has been tested and found to comply with the limits for a Class B digital device, pursuant to part 15 of the FCC rules. These limits are to provide reasonable protection against harmful interference in a residential installation. This equipment generates, uses and can radiate radio frequency energy and if not installed and used in accordance with the instructions may cause harmful interference to radio communications.

PARTS LIST

Unpack your fan and check the contents. You should have the following:

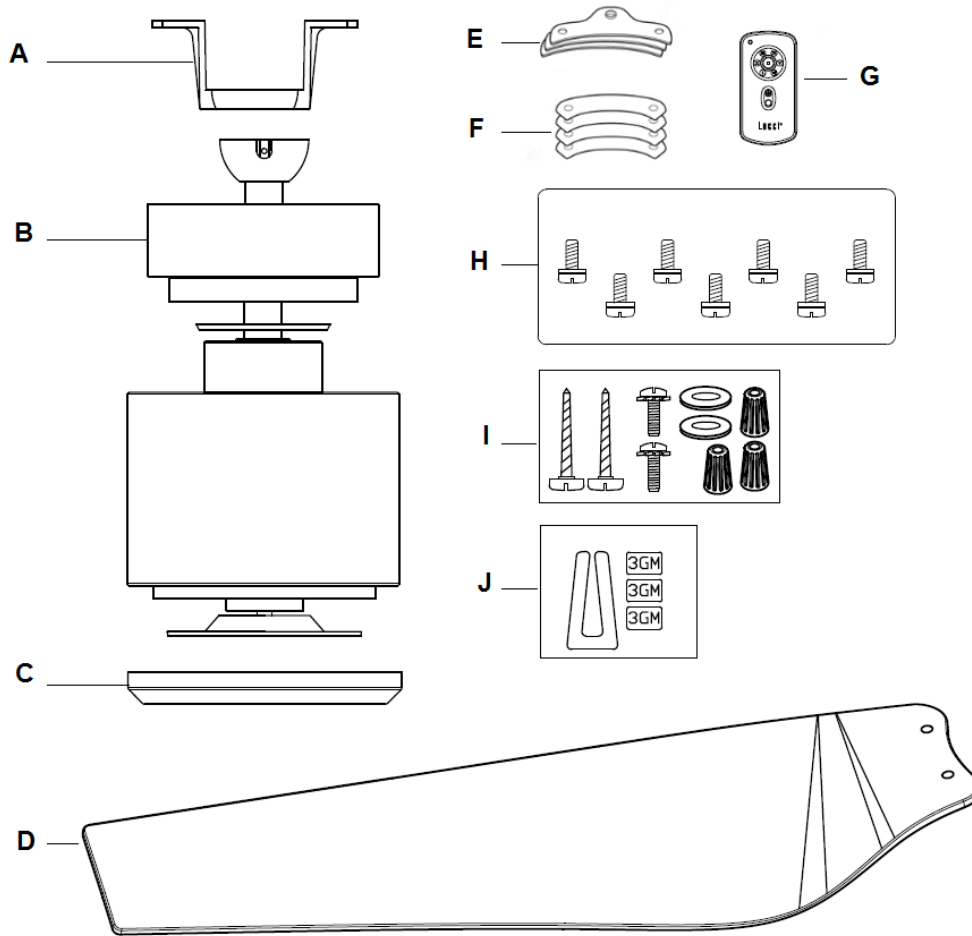


Fig. 1

- | | |
|--|--|
| <p>A. Mounting bracket x 1</p> <p>B. Fan assembly with hanger cover, down rod, canopy cover and canopy x 1</p> <p>C. Bottom cover x 1</p> <p>D. Blade x 3</p> <p>E. Blade holder kit x 3</p> <p>F. Blade fiber x 3</p> | <p>G. Remote transmitter with holder x 1 set (12V 23AE Battery included)</p> <p>H. Motor screw x 7</p> <p>I. Mounting screw bag:</p> <ul style="list-style-type: none"> • Wood screw x 2 • Machine screw x 2 • Flat washer x 2 • Wire nut x 3 <p>J. Balancing kits x 1 set</p> |
|--|--|

INSTALLING THE MOUNTING BRACKET

If there isn't an existing outlet box, then install one using the following instructions:

- Disconnect the power by removing the fuses or turning off the circuit breakers.
- Secure the outlet box (A) (not included) directly to the building structure. Use appropriate fasteners and materials (not included). The outlet box and its bracing must be able to fully support the weight of the moving fan (at least 35 lbs). Do not use a plastic outlet box.
- Figures 2-4 below show three different ways to mount the outlet box (A) (not included).

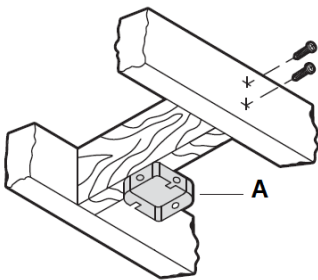


Fig. 2

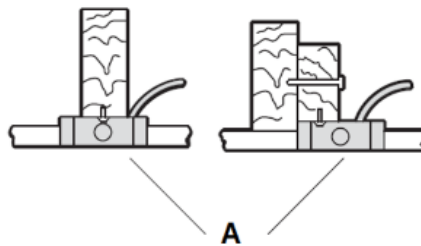


Fig. 3

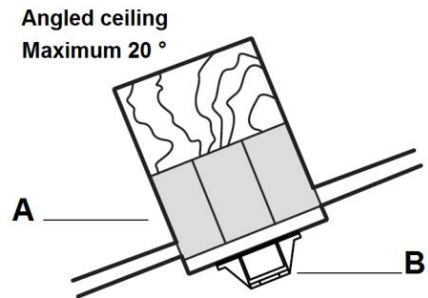


Fig. 4

This fan hanging system supports a maximum 20 degree angled ceiling installation. **Fig. 4**

NOTE: If you are installing the ceiling fan on a sloped ceiling, you may need a longer downrod to maintain proper clearance between the tip of the blade and the ceiling.

NOTE: The ceiling fan must be installed in a location so that the blades are spaced 300mm from the tip of the blade to the nearest objects or walls.

NOTE: For angled ceiling installation, the opening of the mounting bracket (B) must be pointed toward the peak.

To hang your fan where there is an existing fixture but no ceiling joist, you may need an installation hanger bar (C) as shown in **Fig.5**. Make sure the hanger bar you purchase has been designed for use with ceiling fans.

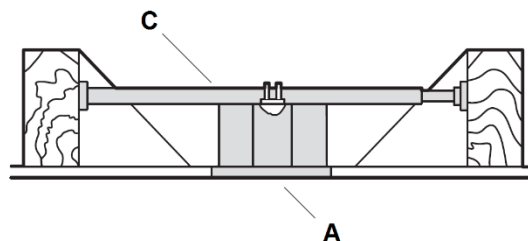


Fig. 5

HANGING THE FAN

Pass the power supply wires (C) from the ceiling outlet box (B) through the center of the ceiling mounting bracket (D). Install the ceiling mounting bracket (D) on the outlet box (B) with the mounting screws (F) provided with the outlet box and washers (E) provided with fan. **Fig. 6**

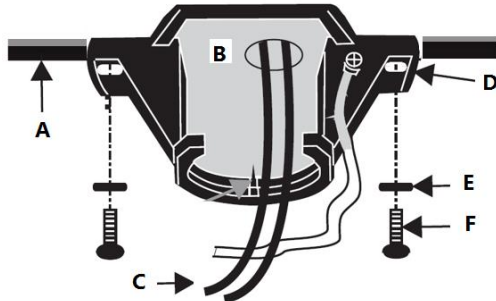


Fig. 6

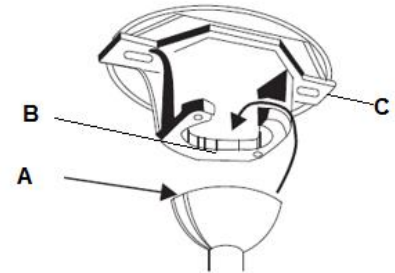
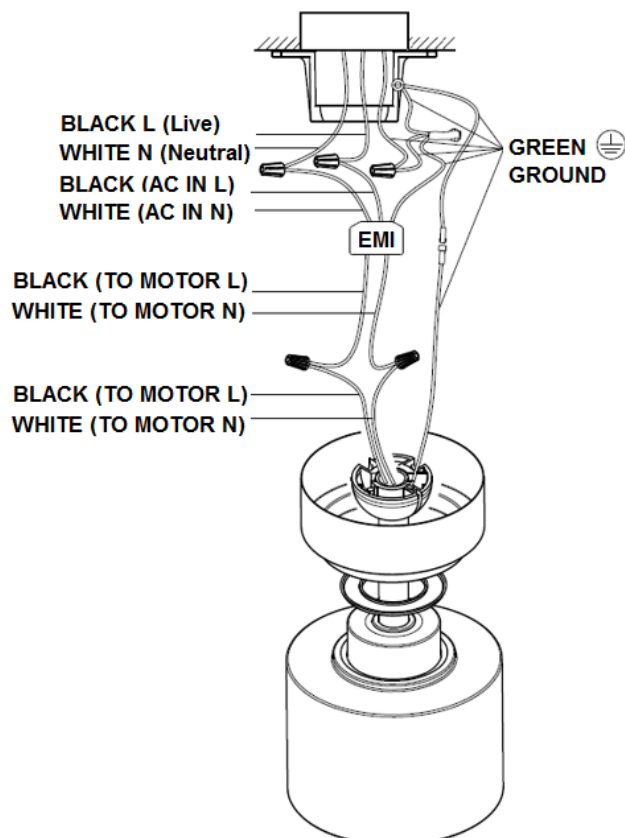


Fig. 7

Lift the fan assembly onto the mounting bracket. Ensure the registration slot (A) of the hanger ball is positioned on the stopper (B) of the mounting bracket (C) to prevent the fan from rotating when in operation. **Fig.7**

ELECTRICAL WIRING DIAGRAM



WARNING: To avoid possible electrical shock, be sure you have turned off the power at the main circuit panel.

Follow the steps below to connect the fan to your household wiring. Use the wire connecting nuts supplied with your fan. Secure the connectors with electrical tape. Make sure there are no loose wire strands or connections.

1. Connect the household live supply wire (black) to EMI filter input wire (black, AC IN L) as shown in **Fig. 8**.
2. Connect the household neutral supply wire (white) to the EMI filter input wire (white, AC IN N).
3. Connect the household ground wire to the fan ground wire (green). Connect the ground wire connectors together.
4. Connect the EMI filter output wire (black, TO MOTOR L) to motor live input wire (black, TO MOTOR L).
5. Connect the EMI filter output wire (white, TO MOTOR N) to motor neutral input wire (white, TO MOTOR N).
6. After connecting the wires, spread them apart so that the green and white wires are on one side of the outlet box and the black and blue wires are on the other side.
7. Turn the connecting nuts upward and push the wiring into the outlet box.

FINISHING THE INSTALLATION

INSTALLING THE CANOPY (Fig. 9)

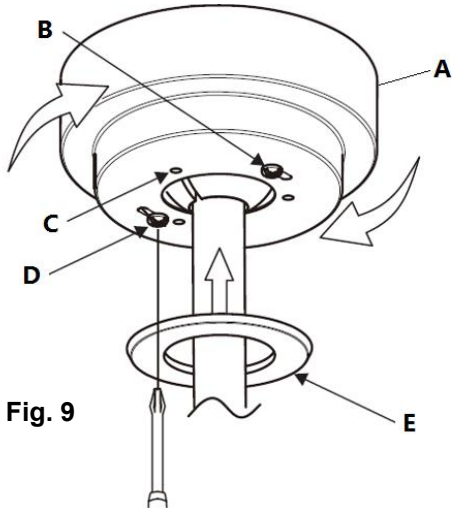


Fig. 9

1. Tuck all the connections neatly into the ceiling outlet box.
2. Slide the canopy (A) up to the mounting bracket and place the keyhole slots over the mounting screw (D) on the mounting bracket.
3. Rotate the canopy (A) until the screw head (B) locks in place at the narrow section of the key hole. See **Fig. 9**.
4. Secure the canopy by tightening the two mounting screws (D). Now, attach the canopy cover (E) to canopy and secure it by pushing the lugs into the holes (C).

NOTE: Do not over tighten the mounting screw on the mounting bracket.

BLADE INSTALLATION (Fig.10)

1. Insert the blade screws (F) through the blade holder kit (D), blade (C), and fiber (B). Attach the blade to the motor (A) and secure it by tightening the 2 motor screws.
2. Repeat to install the remaining blades.
3. Finally install the bottom cover (E) to shaft (G) of motor by rotating it clockwise.

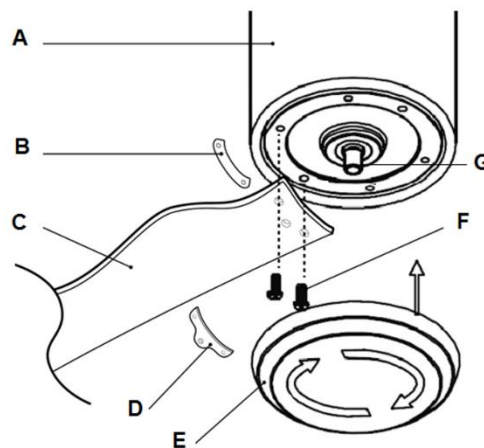


Fig. 10

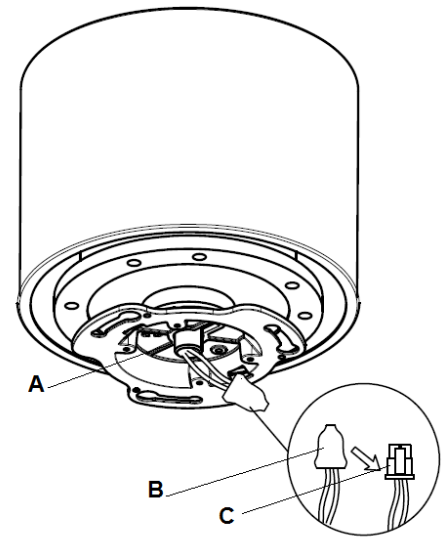
LIGHT KIT INSTALLATION (Light kit sold separately)

Note: Light kit must be installed by a licensed electrician.

NOTE: The light kit is available for selected ceiling fan models and as an optional light kit.

1. Remove the bottom cover from shaft (A).
2. Remove the shrinkable tube (B) from light wires connector (C).
3. For light kit installation, please refer to light kit installation user guide.

Fig. 11



USING YOUR CEILING FAN

Pairing Transmitter and Receiver – when 2 or more DC ceiling fans are installed in one location

When two or more fans are located near each other, you may want to have the receiver/transmitter for each fan set to a different code, so that the operation of one fan does not affect the operation of the other fan/s.

The DIP switches for the transmitter (remote hand piece) are located in the battery compartment of the transmitter. Configuring the DIP switches will allow a unique transmission code assigned to each fan ceiling.

NOTE: Ensure that you have installed a single pole disconnection switch in the fixed wiring for each fan.

NOTE: Ensure power to the receiver is ON prior to pairing the transmitter with the receiver.

Transmitter / Receiver pairing for Ceiling fan 1:

- Turn OFF the mains supply to the receivers of both ceiling fans 1 and 2.
- Install the 12V DC battery in the compartment. Please make sure the polarity of the battery is correct.
Fig.12
- Change the position of the DIP switches in the transmitter 1, so that it will be different to transmitter 2.
- Turn on the power to receiver 1. Keep the power OFF to receiver 2. (Each ceiling fan must have its own isolation switch, so that only the ceiling fan that needs to be paired with the transmitter will be ON).
- Press and hold the “SET” button of **transmitter 1** for 6 seconds within 60 seconds of switching the power ON to the receiver of ceiling fan 1.

While pairing the DC fan remote and receiver is in process, the fan will automatically start to rotate in the counterclockwise direction and on the highest RPM for 3 minutes. When counterclockwise rotation has finished, the fan will automatically reverse to clockwise direction again to the highest RPM for 3 minutes. Fan will turn off when the pairing process has finished. During the pairing process, the remote is non-functional.

- Turn ON and change the speed of the ceiling fan 1 by the transmitter 1 to check the operation and successful pairing.

Transmitter / Receiver pairing for Ceiling fan 2:

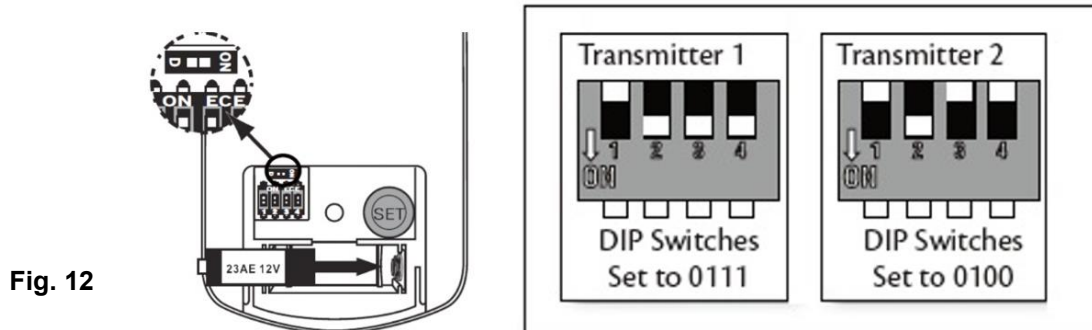
- Turn off the mains supply to the receivers of both ceiling fans 1 and 2.
- Install the 12V DC battery in the compartment. Please make sure the polarity of the battery is correct.
Fig.12
- Change the position of the DIP switches in the transmitter 2, so that it will be different to transmitter 1.
- Turn on the power to receiver 2. Keep the power OFF to receiver 1. (Each ceiling fan must have its own isolation switch, so that only the ceiling fan that needs to be paired with the transmitter will be ON).
- Press and hold the “SET” button of **transmitter 2** for 6 seconds within 60 seconds of switching the power ON to the receiver of ceiling fan 2.

While pairing the DC fan remote and receiver is in process, the fan will automatically start to rotate in the counterclockwise direction and on the highest RPM for 3 minutes. When counterclockwise rotation has finished, the fan will automatically reverse to clockwise direction again to the highest RPM for 3 minutes. Fan will turn off when the pairing process has finished. During the pairing process, the remote is non-functional.

Climate II Installation Instructions

- Turn ON and change the speed of ceiling fan 2 by the transmitter 2 to check the operation and successful pairing.

Note: The pairing of the transmitter and receiver is not required if only one ceiling fan is installed. When more than two ceiling fans are installed near each other, please refer to the instruction above.



Remote Control Buttons

A - FAN SPEED CONTROL BUTTONS:

There are 6 available speeds. “I” button is for the lowest speed, and “VI” button is for the fastest speed.

NOTE: when you turn on the fan for the first time or switch the main power to the controller, you need to start the fan on high “VI” speed first and then choose a lower speed. 5-10 seconds is required to allow the DC fan to respond to the remote for each speed or fan direction selections.

B - FAN OFF BUTTON:

Press the button to turn the fan OFF.

C - REVERSE FUNCTION BUTTON:

Press the button to activate the reverse running function. The fan must be operating to activate the reverse function.

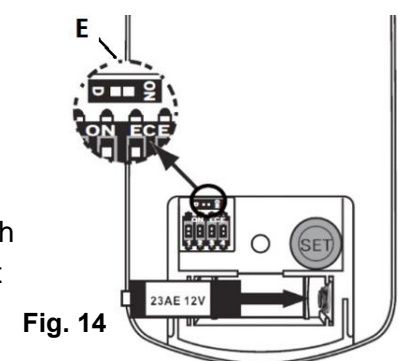
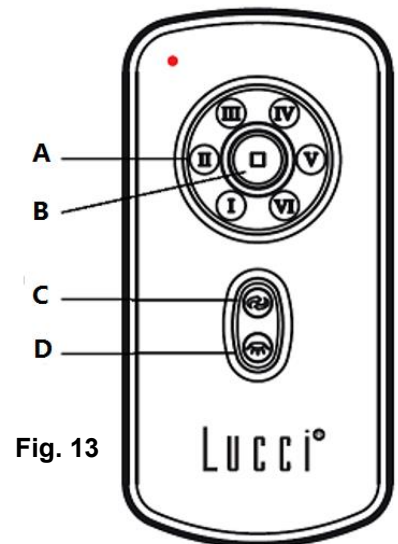
D - LIGHT CONTROL BUTTON: (Light kit sold separately)

Press the button to turn the light ON/OFF.

Press and hold the button to access the light dimming function.

E – D / ON SWITCH

This switch marked **D/ON** controls the dimming function of the lights. If using non-dimmable bulbs, use a ballpoint pen or small screwdriver to set the switch to “ON” to disable the dimming function. If using dimmable halogen bulbs, set the switch to “D” to enable the dimming function. **Fig. 14**



THE RECEIVER PROVIDES THE FOLLOWING LEVEL OF PROTECTION:

- Lock position: the receiver has a built in safety feature to protect against obstruction during operation. The motor will be locked from operation and will disconnect from power after 30 seconds of interruption. Please remove obstacles before re-starting. To reset, simply turn off the power supply to the fan motor and re-start.
- Over 80W protection: when the receiver detects power consumption which is greater than 80W, the receiver power will be stopped and operation will immediately discontinue. Turn the receiver power on after 5 seconds to restart the fan.

REPAIRING THE FAN RECEIVER & REMOTE PAIRING

Should the remote and receiver lose control after installation or during use, the pairing of the remote and the receiver must be repaired. Below are the operating symptoms and method to repair the pairing of the DC ceiling fan remote and receiver.

Issues:

- Loss of control - Fan is only running at high speed after installation
- Loss of control - No reverse function after installation
- Loss of control - Remote cannot communicate with receiver

Solution:

- Switch OFF the main power to the ceiling fan for 30 seconds.
- Press and hold the “SET” button on remote for 6 seconds within 60 seconds of switching the power ON to the receiver of the ceiling fan.
While pairing the DC fan remote and receiver is in process, the fan will automatically start to rotate in the counterclockwise direction and on the highest RPM for 3 minutes. When counterclockwise rotation has finished, the fan will automatically reverse to clockwise direction again to the highest RPM for 3 minutes. Fan will turn off when the pairing process has finished. During the pairing process, the remote is non-functional.
- Turn ON and change the speed of the ceiling fan via the transmitter to check the operation and successful pairing.

INSTALLING THE TRANSMITTER HOLDER

Remove the cover (A) from the holder (B). Attach the holder (B) with the two screws provided (C).

Replace the cover (A) into holder (B). **Fig. 15**

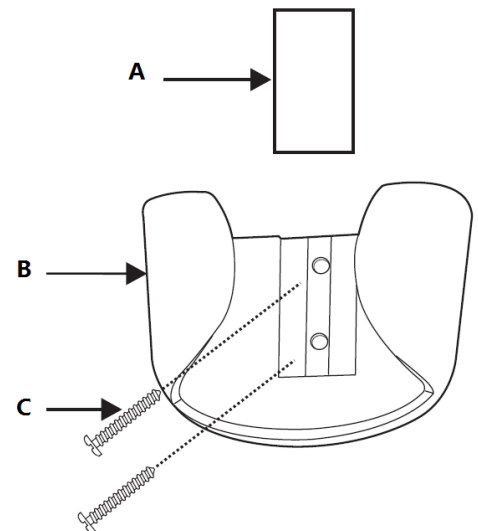


Fig. 15

AFTER INSTALLATION

WOBBLE:

NOTE: ceiling fans tend to move during operation due to the fact that they are mounted on a rubber grommet. If the fan was mounted rigidly to the ceiling it would cause excessive vibration. Movement of a few centimetres is quite acceptable and DOES NOT suggest any problem.

TO REDUCE THE FAN WOBBLE: Please check that all screws which fix the mounting bracket and down rod are secure.

BALANCING KIT: A balancing kit is provided to balance the ceiling fan on initial installation. Please refer to the instruction on how to use the balancing kit. The balancing kit can be used to assist re-balancing should the ceiling fan become un-balanced again. Store your balancing kit away after installation for future use if required.

NOISE:

When it is quiet (especially at night) you may hear occasional small noises. Slight power fluctuations and frequency signals superimposed in the electricity for off-peak hot water control, may cause a change in fan motor noise. This is normal. Please allow a 24-hour “breaking-in” period, most noises associated with a new fan disappear during this time. All electric motors are audible to some extent. Please note that this is not a product fault, and as such is not covered under warranty.

CARE AND CLEANING:

- Periodic cleaning of your ceiling fan is the only maintenance required. Use a soft brush or lint free cloth to avoid scratching the paint finish. Please turn off electricity power when you do so.
- Do not use water when cleaning your ceiling fan. It could damage the motor or the blades and create the possibility of an electrical shock.
- The motor has a permanently lubricated ball bearing so there is no need to oil.

NOTE: Always turn OFF the power at the mains switch before attempting to clean your fan.

TECHNICAL INFORMATION

Fan Size	Speed	Volts (V)	Amps (A)	Watts (W)	RPM	CFM	CFM/W	N.W. (lbs)	G.W. (lbs)	C.F.
50" LD52	Etra-High	120	0.22	32.45W	180	5381.81	165.85	13.2	15.62	1.37
	Medium High	120	0.11	13.13W	130	3821.04	291.01	13.2	15.62	1.37
	Low	120	0.05	2.90W	50	1400.41	482.76	13.2	15.62	1.37

These are approximate measurements. They do not include data for any lamps or fixtures attached to the ceiling fan.

WARRANTY

2 year warranty covers the entire fan. Please refer to warranty card for the details.

E**ENHORABUENA POR SU ADQUISICIÓN**

Enhorabuena por la compra de lo último en ventiladores de techo de bajo consumo. Este ventilador utiliza una corriente CC (corriente continua) para conseguir un gran ahorro de energía y proporcionar un elevado volumen de desplazamiento de aire y una operación silenciosa.

Ahorro de energía - El motor CC incorpora la última tecnología en diseño de ventiladores. Su motor de alta eficiencia ahorra hasta un 65% más de energía que los ventiladores de techo tradicionales con motores CA.

Operación silenciosa - El ventilador con motor CC está programado con una corriente estabilizada que reduce el ruido del motor eficientemente.

Baja temperatura de funcionamiento - Gestión efectiva de la alimentación CC para rebajar la temperatura de funcionamiento a menos de 50 °C. Con esto se consigue un motor más frío que el de un ventilador CA estándar y se aumenta la longevidad del motor.

Mando a distancia con 6 velocidades - Los ventiladores CA normales solo disponen de 3 velocidades. Este ventilador CC incluye un mando a distancia con 6 velocidades que le proporciona más opciones en cuanto al nivel de confort.

MEDIDAS DE SEGURIDAD**Lea y guarde estas instrucciones**

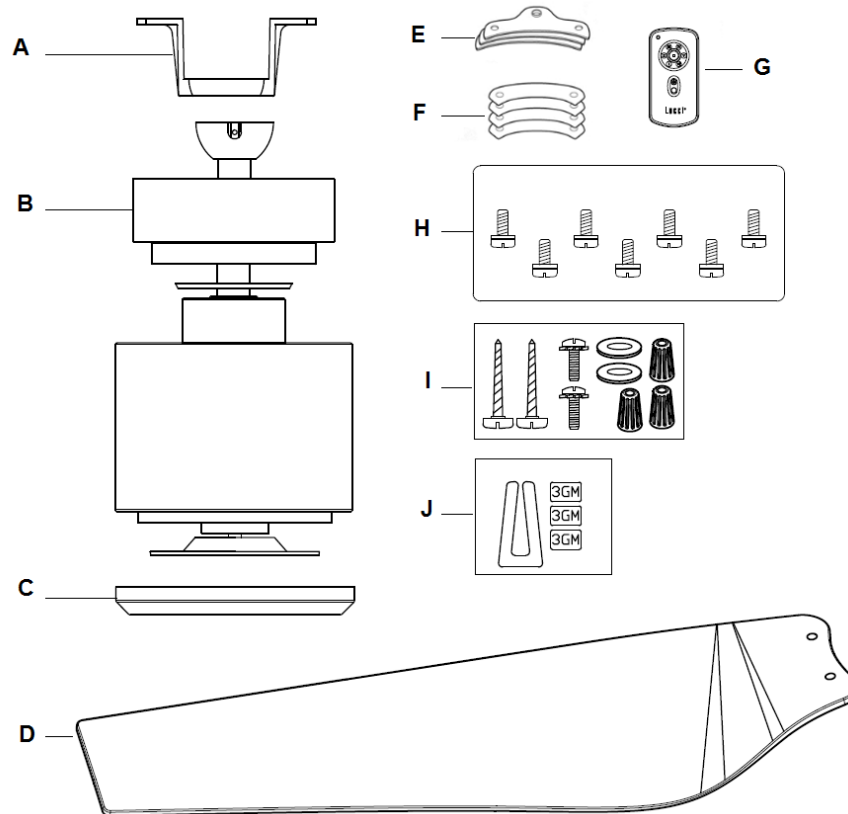
Este producto cumple con la norma 507 de UL.

1. **ADVERTENCIA** - Para evitar posibles descargas eléctricas, corte la corriente que va a la caja eléctrica desde el disyuntor o la caja de fusibles.
2. **ADVERTENCIA** - Para reducir el riesgo de incendio, descarga eléctrica o lesión, móntelo en una caja eléctrica clasificada como «Apropiada para sostener ventiladores de 35 lb (15,9 kg) o menos», y utilice los tornillos de montaje suministrados con la caja eléctrica y/o fíjelo directamente a la estructura del edificio. La mayoría de las cajas eléctricas utilizadas comúnmente para el soporte de alumbrados puede que no sean apropiadas para sostener el ventilador y deban ser reemplazadas. Consulte con un electricista cualificado en caso de duda.
3. **ADVERTENCIA** - Para reducir el riesgo de incendio o electrocución, evite utilizar el ventilador con un dispositivo semiconductor para el control de la velocidad.
4. **ADVERTENCIA** - Para reducir el riesgo de lesión, no doble los soportes de las aspas cuando los instale en el que equilibran las aspas, o cuando limpie el ventilador. No inserte objetos entre las aspas en rotación.
5. **PRECAUCIÓN** - Todo el cableado debe realizarse cumpliendo con el Código Eléctrico Nacional (ANSI/NFPA 70) y los reglamentos de electricidad locales. La instalación eléctrica debería efectuarla un electricista acreditado.
6. Para reducir el riesgo de lesiones a personas, el ventilador debe montarse dejando un espacio mínimo de 2,13 m desde el lado inferior de las aspas hasta el suelo.
7. Después de realizar las conexiones eléctricas, los conductores empalmados deben reorientarse hacia arriba y empujarse con cuidado hacia el interior de la caja eléctrica. Los cables deben quedar apartados, con el conductor de tierra y el conductor de tierra del dispositivo a un lado de la caja eléctrica.
8. Tras someterlo a una serie de pruebas, se ha constatado que este aparato cumple los límites exigidos para dispositivos digitales pertenecientes a la Categoría B, según lo establecido en la sección 15 de la

legislación de la FCC. Estos límites están diseñados para proporcionar una protección razonable contra interferencias en instalaciones residenciales. Este aparato genera, usa y puede irradiar energía en forma de radiofrecuencia. En caso de no ser instalado y utilizado de acuerdo con las instrucciones, podría causar interferencias en las comunicaciones de radio.

LISTA DE PIEZAS

Desembale el ventilador y compruebe el contenido. Debería incluirse lo siguiente:



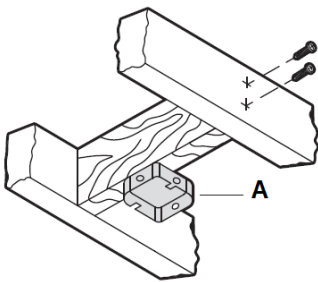
Img. 1

- | | |
|--|---|
| <p>A. Soporte del ventilador x 1</p> <p>B. Conjunto de piezas del ventilador con embellecedor, tija, tapa del florón y florón x 1</p> <p>C. Cubierta inferior x 1</p> <p>D. Aspa x 3</p> <p>E. Kit del soporte del aspa x 3</p> <p>F. Fibra de paletas x 3</p> | <p>G. Mando a distancia con portamando x 1 set (pila 23AE de 12V incluida)</p> <p>H. Tornillos del motor x 7</p> <p>I. Bolsa de tornillos:</p> <ul style="list-style-type: none"> • Tornillo para madera x 2 • Tornillo para metal x 2 • Arandela plana x 2 • Tuerca de alambre x 5 <p>J. Kit de balanceo x 1 set</p> |
|--|---|

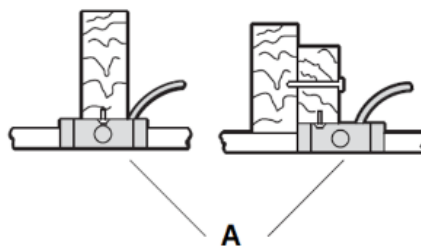
INSTALACIÓN DEL SOPORTE MURAL

Si no hay una caja eléctrica ya instalada, instale una siguiendo estas instrucciones:

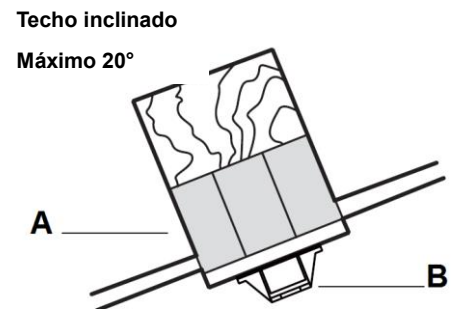
- Corte la corriente quitando los fusibles o bajando los disyuntores.
- Asegure la caja eléctrica (A) (no incluida) directamente a la estructura del edificio. Utilice los elementos y materiales de fijación apropiados (no incluidos). La caja eléctrica y su apuntalamiento deben ser capaces de soportar el peso del ventilador en movimiento (15,9 kg como mínimo). No utilice una caja eléctrica de plástico.
- Las imágenes 2-4 más abajo muestran tres maneras diferentes de montar la caja eléctrica (A) (no incluida).



Img. 2



Img. 3



Img. 4

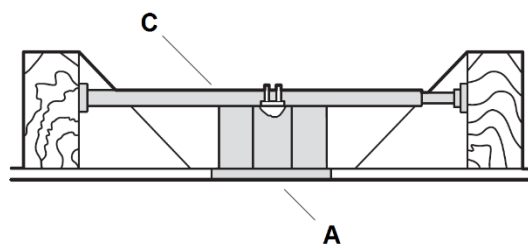
Este ventilador con sistema colgante puede ser instalado en un techo con una inclinación máxima de 20 grados. **Img. 4**

NOTA: Si está instalando el ventilador en un techo inclinado, puede que sea necesario utilizar una tija más larga para mantener el espacio necesario entre el extremo del asa y el techo.

NOTA: El ventilador de techo debe instalarse en un lugar donde los extremos de las aspas queden a 300 mm como mínimo de las paredes y otros objetos.

NOTA: Para la instalación en techos inclinados, la abertura del soporte del ventilador (B) debe apuntar hacia el pico del techo.

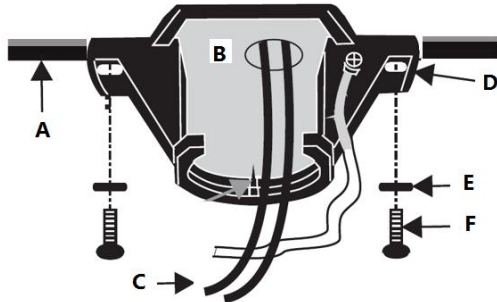
Para colgar su ventilador donde ya haya un elemento de instalación pero sin vigas, puede que necesite instalar una barra para colgar (C) como la mostrada en la imagen 5. Asegúrese de que la barra de colgar que adquiera haya sido diseñada para usarse con ventiladores de techo.



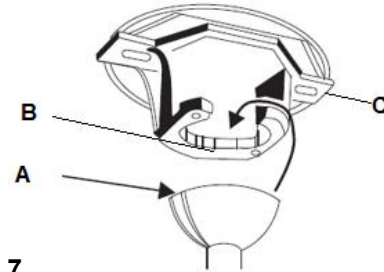
Img. 5

CÓMO COLGAR EL VENTILADOR

Pase los cables de la corriente (C) de la caja eléctrica (B) por el centro del soporte del ventilador (D). Instale el soporte del ventilador (D) a la caja eléctrica (B) con los tornillos (F) incluidos con la caja eléctrica y las arandelas (E) incluidas con el ventilador. **Img. 6**



Img. 6



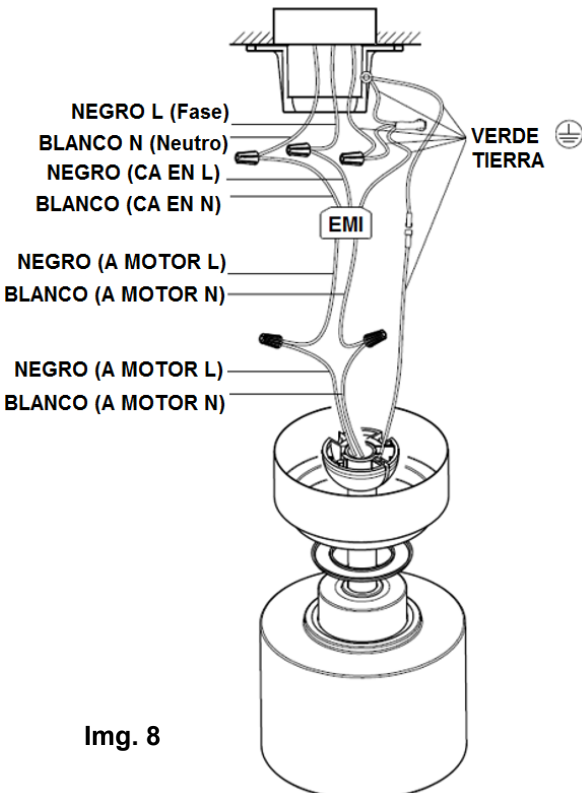
Img. 7

Levante el conjunto del ventilador y cuélguelo en el soporte del ventilador. Asegúrese de que la ranura de registro (A) de la bola de la tija esté posicionada sobre el tope (B) del soporte del ventilador (C) para que el ventilador no pueda girar cuando esté funcionando. **Img. 7**

DIAGRAMA DE CONEXIONES ELÉCTRICAS

ADVERTENCIA: Para evitar posibles descargas eléctricas, asegúrese de que la corriente esté cortada en el cuadro de distribución.

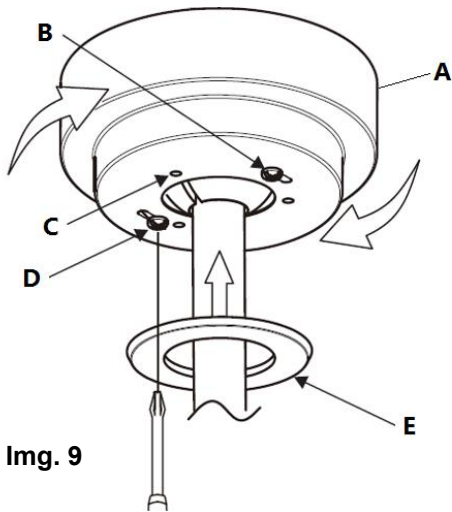
Siga los pasos siguientes para conectar el ventilador al cableado residencial. Utilice las tuercas de alambre incluidas con su ventilador. Asegure los conectores con cinta aislante. Asegúrese de que no haya hilos de cable o conexiones sueltos.



Img. 8

1. Conecte el cable de fase de la residencia (negro) al cable de entrada del filtro EMI (negro, CA EN L) como muestra la **Img. 8**.
2. Conecte cable neutro de la residencia (blanco) al cable de entrada del filtro EMI (blanco, CA EN N).
3. Conecte el cable de tierra de la residencia al cable de tierra del ventilador (verde). Conecte los conectores del cable de tierra uno a otro.
4. Conecte el cable de salida del filtro EMI (negro, A MOTOR L) al cable de entrada de fase (negro, A MOTOR L).
5. Conecte el cable de salida del filtro EMI (blanco, A MOTOR N) al cable de entrada de neutro (blanco, A MOTOR N).
6. Tras conectar los cables, apártelos unos de otros de manera que los cables verdes y blancos queden a un lado de la caja eléctrica y los cables negro y azul queden al otro lado.
7. Oriente las tuercas de alambre hacia arriba y empuje los cables hacia el interior de la caja eléctrica.

CÓMO FINALIZAR LA INSTALACIÓN



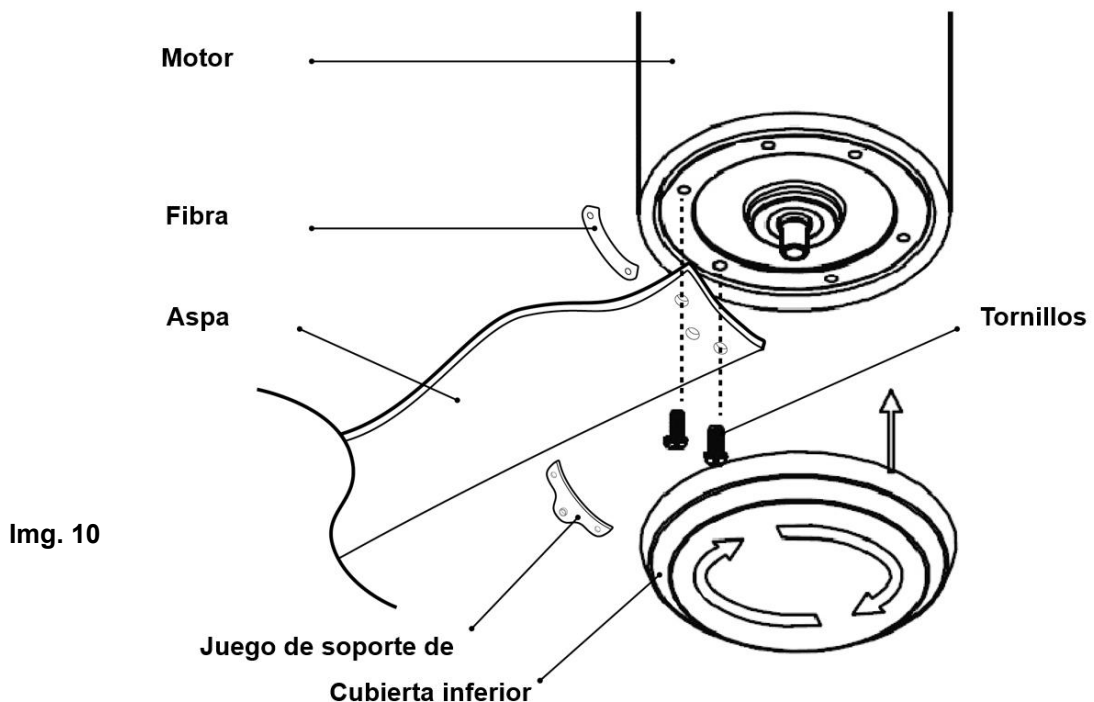
Img. 9

1. Empaque todas las conexiones con cuidado en la caja eléctrica del techo.
2. Inserte el florón (A) hasta el soporte del ventilador y pase los tornillos (D) del soporte del ventilador por los orificios de llave.
3. Gire el florón (A) hasta que la cabeza del tornillo (B) llegue al tope de la sección más estrecha del orificio de llave (ver **Img. 9**).
4. Asegure el florón apretando los dos tornillos (D). A continuación, instale la tapa del florón (E) al florón y asegúrela insertando los tetones en los orificios (C).

NOTA: No sobreapriete los tornillos del soporte del ventilador.

INSTALACIÓN DE LAS ASPAS (Img. 10)

1. Inserte los tornillos de aspas a través del módulo de aspas que consiste en las siguientes piezas, juego de soporte, aspas y fibra. Coloque el módulo de aspas al motor y asegúrelo apretando los 2 tornillos.
2. Repita el procedimiento para instalar las otras aspas.
3. Finalmente instale la cubierta inferior al eje del motor roscándola en sentido horario.



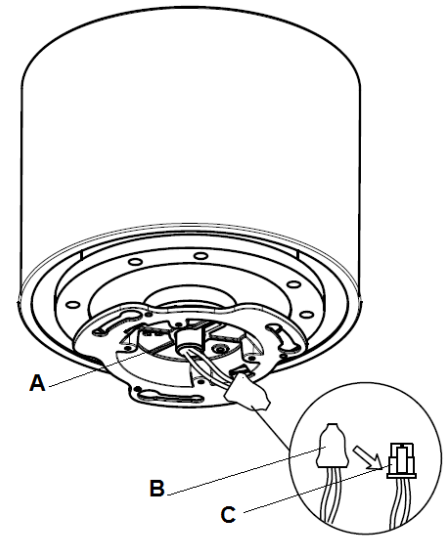
Img. 10

INSTALACIÓN DEL KIT DE LUZ (el kit de luz se vende por separado)

Nota: El kit de luz debe ser instalado por un electricista acreditado.

NOTA: El kit de luz está disponible para algunos modelos de ventiladores de techo y es un kit opcional.

1. Retire la cubierta inferior del eje (A).
2. Retire el tubo retráctil (B) del conector de los cables de la luz (C).
3. Para la instalación del kit de luz, consulte el manual de instalación del kit de luz.



Img. 11

MODO DE EMPLEO DEL VENTILADOR DE TECHO

Emparejamiento del transmisor y el receptor - cuando hay dos o más ventiladores de techo CC instalados en un mismo lugar

Cuando hay dos o más ventiladores próximos, se recomienda ajustar el transmisor/receptor de cada ventilador con un código diferente, de manera que el funcionamiento de un ventilador no afecte el de otro.

Los interruptores DIP del transmisor (mando a distancia) están situados en el compartimento de las pilas del transmisor. La configuración de los interruptores DIP permitirá asignar un código único a cada ventilador de techo.

NOTA: Asegúrese de haber instalado un seccionador unipolar en el cableado fijo para cada ventilador.

NOTA: Asegúrese de que el receptor esté conectado a la corriente antes de emparejar el transmisor con el receptor.

Emparejamiento del transmisor y el receptor del ventilador de techo 1:

- Desconecte la corriente de los receptores de los ventiladores 1 y 2.
- Instale una batería de 12V CC en el compartimento. Asegúrese de instalarla en el sentido correcto de la polaridad. **Img. 12**
- Cambie la posición de los interruptores DIP en el transmisor 1, de manera que sean diferentes a los del transmisor 2.
- Vuelva a conectar la corriente en el receptor 1. Mantenga el receptor 2 sin corriente. (Cada ventilador de techo debe tener su propio seccionador, de manera que el ventilador de techo que necesite ser emparejado con el transmisor siga recibiendo corriente).
- En los 60 segundos siguientes a la conexión del receptor del ventilador de techo 1 a la corriente, pulse el botón «SET» del **transmisor 1** durante 6 segundos.
Durante el proceso de emparejamiento del mando a distancia y el receptor del ventilador CC, el ventilador empezará a girar automáticamente en sentido antihorario a sus revoluciones máximas durante 3 minutos. Cuando termine de girar en sentido antihorario, el ventilador cambiará de sentido automáticamente y girará a sus máximas revoluciones otros 3 minutos. El ventilador se apagará una vez que haya finalizado el proceso de emparejamiento. Durante el proceso de emparejamiento, el mando a distancia no tendrá funcionalidad.
- Encienda el ventilador 1 y cambie su velocidad desde el transmisor 1 para comprobar que está emparejado y funciona correctamente.

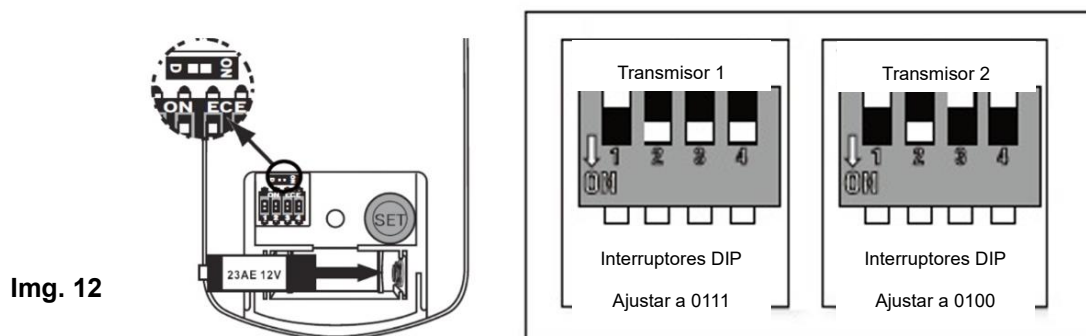
Emparejamiento del transmisor y el receptor del ventilador de techo 2:

- Desconecte la corriente de los receptores de los ventiladores 1 y 2.
- Instale una batería de 12V CC en el compartimento. Asegúrese de instalarla en el sentido correcto de la polaridad. **Img. 12**
- Cambie la posición de los interruptores DIP en el transmisor 2, de manera que sean diferentes a los del transmisor 1.
- Vuelva a conectar la corriente en el receptor 2. Mantenga el receptor 1 sin corriente. (Cada ventilador de techo debe tener su propio seccionador, de manera que el ventilador de techo que necesite ser emparejado con el transmisor siga recibiendo corriente).

Climate II Installation Instructions

- En los 60 segundos siguientes a la conexión del receptor del ventilador de techo 2 a la corriente, pulse el botón «SET» del **transmisor 2** durante 6 segundos.
Durante el proceso de emparejamiento del mando a distancia y el receptor del ventilador CC, el ventilador empezará a girar automáticamente en sentido antihorario a sus revoluciones máximas durante 3 minutos. Cuando termine de girar en sentido antihorario, el ventilador cambiará de sentido automáticamente y girará a las máximas revoluciones otros 3 minutos. El ventilador se apagará una vez que haya finalizado el proceso de emparejamiento. Durante el proceso de emparejamiento, el mando a distancia no tendrá funcionalidad.
- Encienda el ventilador 2 y cambie su velocidad desde el transmisor 2 para comprobar que está emparejado y funciona correctamente.

Nota: El emparejamiento del transmisor y el receptor no es necesario si solo se instala un ventilador de techo. Cuando haya dos o más ventiladores de techo próximos unos a otros, consulte las instrucciones anteriores.



Img. 12

Botones del mando a distancia

A - BOTONES DE LA VELOCIDAD DEL VENTILADOR:

Hay 6 velocidades disponibles. El botón «I» representa la velocidad más baja, y el botón «VI» la más elevada.

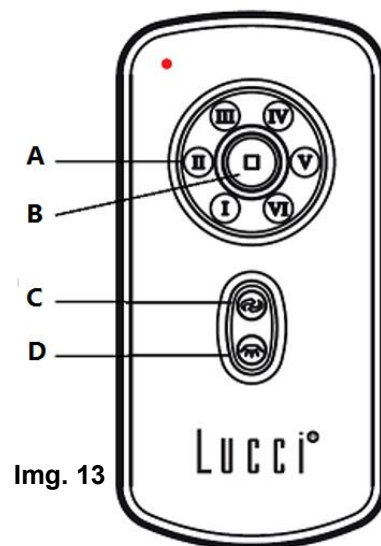
NOTA: Cuando encienda el ventilador por primera vez o cambie el encendido al controlador, necesitará primero poner en marcha el ventilador a la velocidad «VI» y elegir después una velocidad más baja. Se requieren de 5 a 10 segundos para que el ventilador CC responda a la velocidad o al sentido de giro del ventilador seleccionados con el mando a distancia.

B - BOTÓN DE APAGADO DEL VENTILADOR:

Pulse este botón para apagar el ventilador.

C - BOTÓN DE CAMBIO DE SENTIDO:

Pulse este botón para activar la función de cambio de sentido. El ventilador debe estar funcionando para activar la función de cambio de sentido.



Img. 13

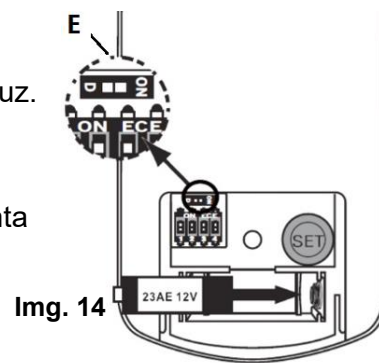
D - BOTÓN DE CONTROL DE LA LUZ: (El kit de luz se vende por separado)

Pulse este botón para apagar o encender la luz.

Mantenga pulsado el botón para acceder a las funciones de regulación de la luz.

E – INTERRUPTOR D/ON

El interruptor con el símbolo **D/ON** controla la función de regulación de las luces. Si las bombillas utilizadas no son regulables, utilice un bolígrafo de punta de bola o un destornillador pequeño para ajustar el interruptor a «**D**» y deshabilitar la función de regulación de la luz. Si utiliza bombillas halógenas regulables, ajuste el interruptor a «**ON**» para habilitar la función de regulación de la luz. **Img. 14**



EL RECEPTOR PROPORCIONA LOS SIGUIENTES NIVELES DE PROTECCIÓN:

- Posición de bloqueo: el receptor incorpora una función de seguridad para protegerlo en caso de obstrucciones en el ventilador cuando está en funcionamiento. El motor se quedará bloqueado y se desconectará de la corriente después de 30 segundos de interrupción. Por favor, retire los obstáculos antes de volver a reanudar el funcionamiento del aparato. Para restablecer el ventilador, apague el motor del ventilador y vuelva a encenderlo.
- Protección sobre 80W: cuando el receptor detecta un consumo eléctrico superior a 80W, el receptor se apagará y su funcionamiento se detendrá inmediatamente. Encienda el receptor después de 5 segundos para reanudar el funcionamiento del ventilador.

REEMPAREJAMIENTO DEL RECEPTOR Y EL MANDO A DISTANCIA DEL VENTILADOR

Si pierde el control del receptor o el mando a distancia después de la instalación o durante su uso, vuelva a emparejarlos. A continuación, se describen algunos problemas de funcionamiento y cómo solucionar el emparejamiento del receptor y el mando a distancia del ventilador CC.

Problemas:

- Pérdida de control - El ventilador solo funciona a una velocidad elevada después de instalarlo
- Pérdida de control - La función de cambio de sentido no funciona después de instalarlo
- Pérdida de control - El mando a distancia no se comunica con el receptor

Solución:

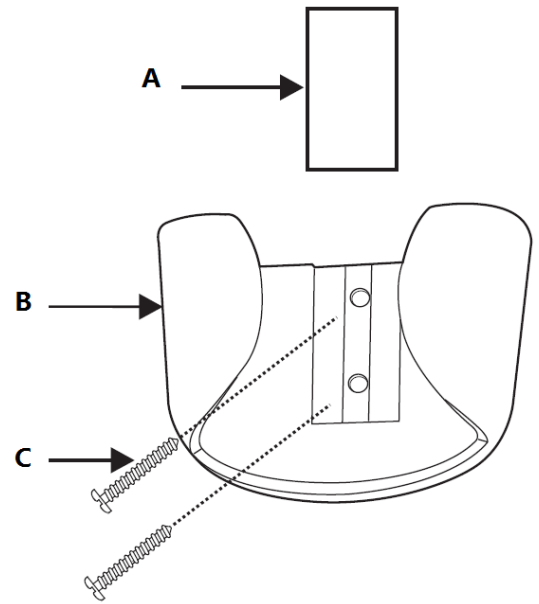
- Apague el ventilador de techo durante 30 segundos.
- En los 60 segundos siguientes a la conexión del receptor del ventilador de techo 2 a la corriente, pulse el botón «SET» del **transmisor** durante 6 segundos.
Durante el proceso de emparejamiento del mando a distancia y el receptor del ventilador CC, el ventilador empezará a girar automáticamente en sentido antihorario a sus revoluciones máximas durante 3 minutos. Cuando termine de girar en sentido antihorario, el ventilador cambiará de sentido automáticamente y girará a las máximas revoluciones otros 3 minutos. El ventilador se apagará una vez que haya finalizado el proceso de emparejamiento. Durante el proceso de emparejamiento, el mando a distancia no tendrá funcionalidad.
- Encienda el ventilador de techo y cambie su velocidad desde el transmisor para comprobar que está emparejado y funciona correctamente.

INSTALACIÓN DEL PORTAMANDO

Retire la cubierta (A) del portamando (B). Instale el portamando (B) con los dos tornillos (C) suministrados.

Vuelva a poner la cubierta (A) en el portamando (B). **Img. 15**

Img. 15



DESPUÉS DE LA INSTALACIÓN

BAMBOLEO:

NOTA: Los ventiladores de techo tienden a moverse cuando están funcionando debido a que están montados sobre una arandela de goma. Si el ventilador está montado rígidamente al techo, se podrían generar unas vibraciones excesivas. Unos pocos centímetros de movimiento es bastante aceptable y NO indica que haya un problema.

PARA REDUCIR EL BALANCEO DEL VENTILADOR: Compruebe que todos los tornillos que fijan el soporte del ventilador y la tija esté bien apretados.

KIT DE BALANCEO: Se incluye un kit de balanceo para equilibrar el ventilador de techo en la instalación inicial. Por favor, consulte las instrucciones sobre cómo usar el kit de balanceo. El kit de balanceo puede usarse para reequilibrar el ventilador si se desequilibra de nuevo. Guarde el kit de balanceo después de la instalación en caso de necesitarlo en un futuro.

RUIDO:

En los momentos de silencio (sobre todo por la noche), se pueden escuchar ruidos tenues ocasionalmente. Las ligeras fluctuaciones de la corriente y las señales de frecuencia eléctrica superpuestas en el control del agua caliente durante las horas no punta, puede causar cambios en el ruido del motor del ventilador. Esto es algo normal. Por favor, permita un periodo de rodaje de 24 horas, transcurridos los cuales la mayoría de los ruidos asociados con su nuevo ventilador deberán desaparecer. Todos los motores eléctricos son audibles hasta cierto punto. Entienda que esto no es un fallo del producto y por lo tanto no está cubierto por la garantía.

CUIDADO Y MANTENIMIENTO:

- La limpieza periódica de su ventilador de techo es el único mantenimiento que se requiere. Utilice un cepillo blando o un paño sin pelusa para no arañar el acabado de pintura. Por favor, corte la corriente cuando haga esto.
- No utilice agua cuando limpie su ventilador de techo, dado que podría dañar el motor o las aspas y causar posibles descargas eléctricas.
- El motor tiene un rodamiento con lubricación permanente, por lo que no es necesario engrasarlo.

NOTA: Apague siempre el ventilador desde el interruptor de alimentación antes de limpiarlo.

INFORMACIÓN TÉCNICA

Dimensiones del ventilador	Velocidad	Voltios (V)	Amperios (A)	Vatios (W)	RPM	CFM	CFM/W	Peso neto (lb)	Peso bruto (lb)	C.F.
50" LD52	Extra-High	120	0.22	32.45W	180	5381.81	165.85	13.2	15.62	1.37
	Medium High	120	0.11	13.13W	130	3821.04	291.01	13.2	15.62	1.37
	Low	120	0.05	2.90W	50	1400.41	482.76	13.2	15.62	1.37

Estos son medidas aproximadas. No incluyen datos de ninguna de las lámparas o luces que van instaladas al ventilador de techo.

GARANTÍA

2 años de garantía para todo el ventilador. Por favor, consulte la tarjeta de garantía para más información.