



# TRAC 12

Miniature Low Voltage Trac System

## COLOR LED MODULES

## 12-VOLT AC

Project: \_\_\_\_\_

Fixture Type: \_\_\_\_\_

Location: \_\_\_\_\_

Contact/Phone: \_\_\_\_\_

### TL214LED-BLUE, TL214LED-GREEN, TL214LED-RED

#### PRODUCT DESCRIPTION

Trac 12 miniature color LED modules enable a simple, economical and flexible way to add a splash of color to any environment. Available in rich blue, green or red colors, these long life, low profile modules are compatible with standard Trac 12 and Trac 12/25 trac, operating with 12V AC power. The modules can be placed anywhere along the trac, and the trac can be cut-to-length during installation, making Trac 12 Color LED Modules the most flexible linear lighting choice for coves, niches and other accent lighting applications.

#### PRODUCT SPECIFICATIONS

**LED** High performance, low power LEDs provide outstanding reliability, performance and color quality/consistency • Blue, green or red LED designed to operate using 12-volt AC input.

**Housing** High temperature polycarbonate • Color-neutral, natural finish • Lightly diffused lens to optimize light dispersion.

**Electrical Contacts** Tempered phosphor bronze.

**Trac** Refer to specification sheets [D3.1.0](#) and [D3.1.1](#).

**Transformers/Drivers** Compatible with all Juno 12VAC Remote Mount Magnetic Transformers ([D3.1.3](#), [D3.1.6](#) or [D3.1.10](#))

• Compatible with all 12VAC TL601E or TL602E Electronic Drivers ([D3.1.8](#) or [D3.1.9](#)).

**Dimming** May be dimmed with dimmers tested and qualified by Juno for use with the non-resistive TL214LED Series load – see transformer/driver specifications for compatible dimmers • Color remains constant over dimming range • Consult factory for additional dimming information.

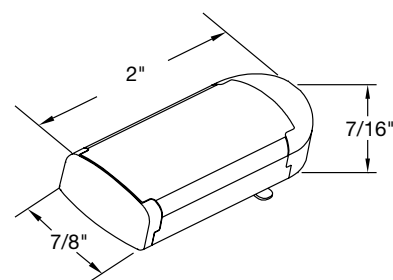
**Module Spacing** Modules placed 3" - 6" on-center generally provide adequate illumination in most applications • Larger spaces may require closer module spacing to adequately illuminate desired surfaces • Modules can be disconnected and relocated with a simple turn of the wrist • Modules can be added at any time, up to the capacity of the system transformer • Modules of different colors can be mixed on the same trac to create unique lighting effects.

**Warranty** Warranty period is 5 years from date of purchase for LED components • Standard Juno Lighting Group product guarantee terms and conditions apply • Continuously operating the TL214LED above 12VAC will void the warranty.

**Labels** UL/cUL Listed.

Product specifications subject to change without notice.

#### DIMENSIONS



#### PRODUCT CODES & PERFORMANCE DATA

Catalog Number	LED Color	Input Voltage	Wattage (Nominal)	Maximum Lumens/Ft.	Rated Life (Hours)
TL214LED-BLUE	Blue	12.0VAC	1.0W	138 lm/ft.	50,000
TL214LED-GREEN	Green	12.0VAC	0.5W	174 lm/ft.	50,000
TL214LED-RED	Red	12.0VAC	0.65W	108 lm/ft.	50,000

\*Performance data, including Rated Life, is based on measurements of an individual module operating in a 25°C ambient. In practice, multiple modules used in a system will average slightly lower power consumption due to voltage drop within the system. Note: For operation at 11.5 volts multiply Lumens/Ft. by 0.94.

# TRAC 12

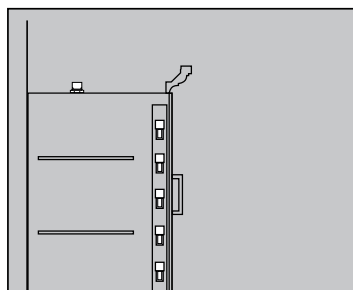
Miniature Low Voltage Trac System

## COLOR LED MODULES

## 12-VOLT AC

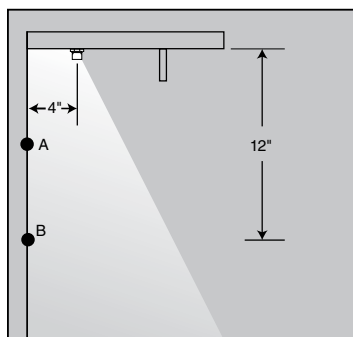
TL214LED-BLUE, TL214LED-GREEN, TL214LED-RED

### Accent Lighting Guidelines



**Over Cabinets** Installing TL214LED color modules, spaced 3"-4" on-center, generally provides excellent mood lighting and color saturation uniformity. Placing the fixture at the front edge of the cabinet top will project light into the space. Locate top of module even with top edge of cove molding to prevent a harsh shadow line on the ceiling.

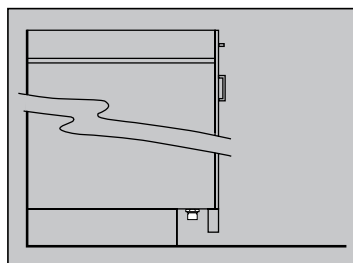
**Inside Cabinets** Running Trac 12 vertically on the front inside of cabinets avoids the need to put trac on each shelf. TL214LED color modules, spaced 4" on-center, generally provide adequate lighting inside a cabinet. Refer to TL214LEDX modules specification sheets ([D3.2.13](#), [D3.2.16](#)) for white-light inside cabinet lighting guidelines.



**Under Counters/Shelves** Placing Juno Trac 12 approximately 4" from the back of the shelf/counter conceals the fixture from view and typically maximizes the wash of color on the rear surface without noticeable hotspots.

Under Counter Footcandles on Vertical Surface *				
Catalog Number	Color	O.C Spacing	Footcandles	
			A	B
TL214LED-BLUE	Blue	2"	62	22
TL214LED-GREEN	Green	2"	66	23
TL214LED-RED	Red	2"	41	14
TL214LED-BLUE	Blue	3"	44	16
TL214LED-GREEN	Green	3"	46	16
TL214LED-RED	Red	3"	29	10
TL214LED-BLUE	Blue	4"	35	13
TL214LED-GREEN	Green	4"	34	12
TL214LED-RED	Red	4"	21	7

\*Data shown is for operation at 12-volts. For operation at 11.5-volts, multiply by 0.94.



**Kick Spaces** TL214LED color modules spaced 4" on-center generally provides adequate kick space accent lighting. Wider spacings can be used when the distance from the trac to the floor is greater than 4" or when perfectly uniform illumination is not required.

Note: Shiny flooring may cause lamp image reflections.

# TRAC 12

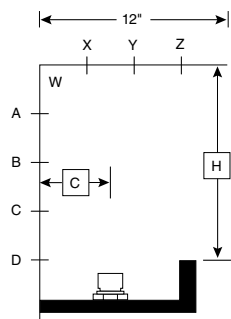
Miniature Low Voltage Trac System

## COLOR LED MODULES

## 12-VOLT AC

### TL214LED-BLUE, TL214LED-GREEN, TL214LED-RED

#### Cove Lighting



#### Placement Guidelines

- For uniform illumination o.c. lamp spacing must be equal to or less than lamp spacing from wall "C"

#### Footcandles on Vertical and Horizontal Planes

Lamp Spacing From Wall <b>C</b>	O.C. Lamp Spacing	Cove Height <b>H</b>	Footcandles on Vert. Plane (Wall)				Footcandles on Horiz. Plane (Ceiling)			
			A	B	C	D	W	X	Y	Z
<b>TL214LED-BLUE</b>										
3"	3"	6"	78	90	87	65	112	132	94	55
3"	3"	9"	46	59	77	52	81	87	72	49
3"	3"	12"	29	39	66	47	60	63	56	43
4"	4"	6"	57	58	52	41	71	96	82	49
4"	4"	9"	37	43	44	30	56	64	58	43
4"	4"	12"	25	31	41	26	44	48	44	35
<b>TL214LED-GREEN</b>										
3"	3"	6"	98	113	110	82	141	167	119	69
3"	3"	9"	58	75	97	65	103	110	91	62
3"	3"	12"	36	49	83	59	76	80	70	54
4"	4"	6"	71	74	65	52	89	121	104	62
4"	4"	9"	47	54	56	38	70	81	74	54
4"	4"	12"	31	39	52	33	55	60	56	45
<b>TL214LED-RED</b>										
3"	3"	6"	61	70	68	51	87	104	74	43
3"	3"	9"	36	46	60	41	64	68	57	39
3"	3"	12"	23	30	51	37	47	50	44	33
4"	4"	6"	44	46	41	32	55	75	64	39
4"	4"	9"	29	33	35	24	44	50	46	33
4"	4"	12"	19	24	32	21	34	37	35	28

#### LUMENS PER FOOT\*

Catalog Number	Lamp Spacing			
	2"	3"	4"	6"
<b>TL214LED-BLUE</b>	138	92	69	46
<b>TL214LED-GREEN</b>	174	116	87	58
<b>TL214LED-RED</b>	108	72	54	36

#### MAXIMUM TRAC RUN LENGTH\*\*

Catalog Number	Transformer	Module Spacing			
		2"	3"	4"	6"
<b>TL214LED-GREEN</b>	Electronic	14	17	19	24
	Magnetic	38	47	54	65
<b>TL214LED-BLUE, TL214LED-RED</b>	Electronic	10	11	13	15
	Magnetic	30	36	44	52

\* Data shown is for operation at 12-volts. For operation at 11.5-volts, multiply by 0.94.

\*\* Estimate based on 20% maximum light output decrease between first and last module on the trac due to voltage drop; to utilize full capacity of trac and transformers, individual transformer circuits may have to feed multiple runs using separate feed points.