



# UNDERCABINET LIGHTING

Project: \_\_\_\_\_

Fixture Type: \_\_\_\_\_

Location: \_\_\_\_\_

Contact/Phone: \_\_\_\_\_

PRO-SERIES FLUORESCENT  
8W, 14W, 21W & 28W  
T5 HE Fluorescent Lamps

## UPF12, UPF22, UPF34 and UPF46

### PRODUCT DESCRIPTION

Pro-Series Fluorescent modular series luminaires offer highly efficient illumination in a shallow, easy-to-conceal profile. Ideal for undercabinet, undershelf, and task lighting, where maximum energy efficiency, long lamp life, and cool operation are desired. Pro-Series Fluorescent fixtures are optimized for fast permanent installation, mounting either flush to the rear backsplash or to the front lip of cabinetry to suit project conditions and homeowner preference.

### PRODUCT SPECIFICATIONS

**Lamps** Latest generation of high-efficiency (HE), high color rendering 3000K T5 tri-phosphor fluorescent lamps • 10,000 hour rated lamp life.

**Ballast** State of the art 120V electronic ballast instantly starts lamp and operates without flicker or hum.

**Housing** Extruded Aluminum • Designer white, black, brushed bronze, or brushed silver finish.

**Diffuser** Extruded non-yellowing clear UV/impact resistant acrylic lens.

**Switch** Available with convenient on/off rocker switch.

**Optional Integral Occupancy Sensor** 22", 34" and 46" are available with Passive Infrared (PIR) Occupancy Sensor. The PIR sensor has a field adjustable time delay that can be set from 30 sec. to 30 min. All additional luminaires connected to the luminaire with occupancy sensor will be controlled by the single sensor.

**Labels** UL/C-UL Listed.

### INSTALLATION

UPF Series fixtures offer several convenient methods for installation and can be installed as direct wire or portable luminaires. Fixtures may be mounted flush to the backsplash or up against the front lip of the cabinetry using captive mounting screws.

**Direct Wire** The UPF Series are optimized with a center rear wiring access compartment and push-in electrical connectors for quick electrical connection using non-metallic or armored cable • Features multiple off-center knockouts and are supplied with die cast fittings for 3/8" flexible metal conduit • Optional direct-wire modules sold separately supplied with a jumper cord to bring power to the fixture, is also available to facilitate code compliant installation of fixture at the front end of cabinetry

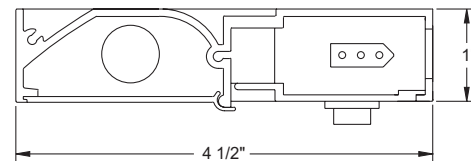
**Portable** To install a portable fixture, use the optional 3-wire grounded cord & plug (ULH-CP sold separately), or specify CP6 option (sold separately).

**Electrically Connecting Multiple Fixtures** Up to 10 fixtures may be electrically joined together using either the straight joiner connector supplied with each fixture or the optional JC3 jumper cords • See accessories table for lengths and finishes.

### ENGINEERING DATA (120V)

	UPF12	UPF22	UPF34	UPF46
Total input power (watts)	8.4	15.3	22.1	30.3
Total Operating AMPS	.13	.23	.32	.45
Power Factor	.52	.53	.57	.56

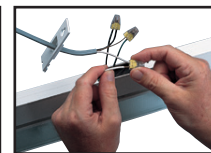
### DIMENSIONS



### PRO-SERIES FLUORESCENT 5 MINUTE DIRECT-WIRE INSTALLATION



**Step 1** Attach supply wires to rear access cover.



**Step 2** Connect supply wires to fixture leads using push-in connectors.



**Step 3** Mount fixture to cabinet bottom using captive mounting screws.

# UNDERCABINET LIGHTING

PRO-SERIES FLUORESCENT

8W, 14W, 21W & 28W

T5 HE Fluorescent Lamps

## UPF12, UPF22, UPF34 and UPF46

### ORDERING INFORMATION

**Fluorescent Ordering Example:** UPF22-OCN-BL-CP6

Fluorescent Fixture		Control Options		Finish		Direct Wire/Portable	
<b>UPF12</b>	12" Pro-Series T5 Fluorescent	<b>Blank</b>	Includes Rocker Switch	<b>WH</b>	Designer White	<b>Blank</b>	Direct Wire
<b>UPF22</b>	22" Pro-Series T5 Fluorescent	<b>NS</b>	No Rocker Switch	<b>BL</b>	Black	<b>CP6<sup>(2)</sup></b>	Portable w/ 6' Cord & Plug
<b>UPF34</b>	34" Pro-Series T5 Fluorescent	<b>OC<sup>(1)</sup></b>	Occupancy Sensor w/ switch	<b>BZ*</b>	Brushed Bronze		
<b>UPF46</b>	46" Pro-Series T5 Fluorescent	<b>OCN<sup>(1)</sup></b>	Occupancy Sensor w/o switch	<b>SL</b>	Brushed Silver		

<sup>(1)</sup> Occupancy Sensor is not available on UPF12

<sup>(2)</sup> UL Listed as portable fixture when supplied from factory with cord and plug

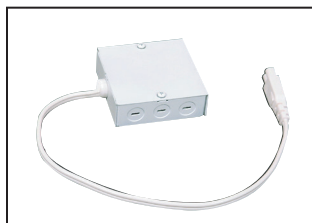
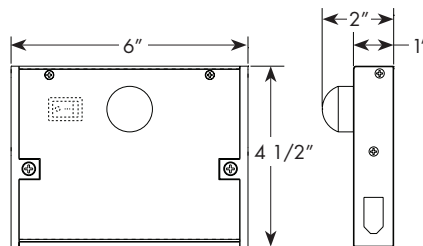
\* Bronze is not available for the UPF46

### ACCESSORIES

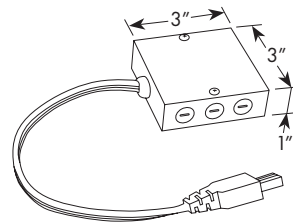
Catalog No.	Description
<b>JC3-8-WH,-BL</b>	8" Jumper Cord
<b>JC3-17-WH,-BL</b>	17" Jumper Cord
<b>JC3-26-WH,-BL</b>	26" Jumper Cord
<b>ULH-CONN</b>	3/8" Miniature Die-Cast Electrical Connector
<b>ULH-CP-WH,-BL</b>	3-Wire Grounded Cord & Plug
<b>ULH-DWMOC-WH,-BL</b>	Direct Wire Occupancy Sensor Module
<b>ULH-DWMOCRS-WH,-BL</b>	Direct Wire Occupancy Sensor Module w/ Rocker Switch
<b>ULH-DWM-WH,-BL</b>	Direct Wire Module



ULH-DWMOCRS  
ULH-DWMOC



ULH-DWM



1300 S. Wolf Road • Des Plaines, IL 60018 • Phone (847) 827-9880 • Fax (847) 827-2925  
 220 Chrysler Drive • Brampton, Ontario • Canada L6S 6B6 • Phone (905) 792-7335 • Fax (905) 792-0064  
 Visit us at [www.junolightinggroup.com](http://www.junolightinggroup.com)

Printed in U.S.A. ©2016 Acuity Brands Lighting, Inc.

# UNDERCABINET LIGHTING

PRO-SERIES FLUORESCENT

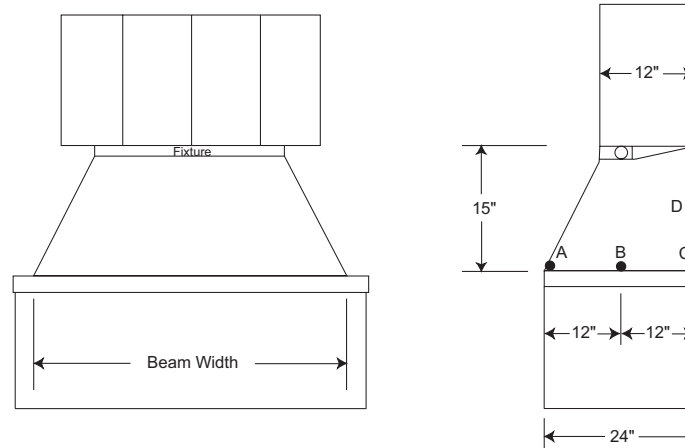
8W, 14W, 21W & 28W

T5 HE Fluorescent Lamps

## UPF12, UPF22, UPF34 and UPF46

### LIGHTING APPLICATION DATA

#### FOOTCANDLES ON HORIZONTAL WORK SURFACE



Footcandles						
Catalog #	Lamp	* Beam Width	A	B	C	D
<b>UPF12</b>	8-watt T5	21"	22	64	34	39
<b>UPF22</b>	14-watt T5 HE	27"	37	105	59	65
<b>UPF34</b>	21-watt T5 HE	34"	47	126	75	73
<b>UPF46</b>	28-watt T5 HE	43"	61	162	100	96

\* Beam width defined as 50% of maximum footcandles

Rear wall reflectance 50%  
Counter Surface Reflectance 20%

8 watts equivalent to 40 watts of halogen  
14 watts equivalent to 75 watts of halogen  
21 watts equivalent to 100 watts of halogen  
28 watts equivalent to 150 watts of halogen