

JUNO

6" IC LED RETROFIT WARMDIM® DOWNLIGHT TRIM

Project: _____

Fixture Type: _____

Location: _____

Contact/Phone: _____

600 LUMEN

**AIR-LOG****J6RL WD G4N**

PRODUCT DESCRIPTION

All-in-one 6" LED Retrofit downlight trim with patented WarmDim® technology installs into existing 6" incandescent trim housings with medium base sockets or Juno IC23 LEDT24 and IC23R LEDT24 quick connect recessed housings • LED color temperature warms while dimming to emulate the dimming performance of traditional incandescent light sources • May be used in housings completely covered with insulation • Selection of interchangeable baffle and cone trim inserts can be changed in the field to customize the look of the product • Dimmable with most standard incandescent or electronic low voltage dimmers • Designed to provide 50,000 hours of life • 5 year limited warranty on LED components.

ENVIRONMENTALLY FRIENDLY, ENERGY EFFICIENT

- No harmful ultraviolet or infrared wavelengths
- No lead or mercury
- Comparable light output to 65W BR30 incandescent while consuming 12W

PRODUCT SPECIFICATIONS

LED Retrofit Downlight Trim Aluminum housing with white painted flange as standard • All-in-one design where LED light engine mounts directly to trim • Quick release slot allows for field changing of trim inserts • Provided with torsion springs as standard • Accessory kit available for use in housings that do not have torsion spring retaining brackets.

LED Light Engine Proprietary patented micro processor controlled light engine emulates dimming performance of incandescent light source • Integrated to one piece high purity aluminum, thermally conductive housing providing uninterrupted heat transfer to ensure long life of the LEDs • 3000K color temperature at full lumen output • 90 CRI minimum throughout dimming range • Design covered under Patent US 8,710,754.

LED Driver Dedicated 120 volt driver • Power factor > 0.9 • Dimmable with the use of most incandescent, magnetic low voltage and electronic low voltage wall box dimmers • For a list of compatible dimmers, see [JUNOICLED-DIM](#).

Trim Inserts Choice of baffle or cone inserts in a selection of finishes ship installed in trim • Interchangeable design allows the inserts to be changed in the field • All inserts available to order as an accessory.

Optical System Computer-optimized reflector design with high reflectance white finish coupled with a high transmission diffusing lens conceals the LEDs • Efficient system that can produce over 600 lumens while using 12W.

Electrical Connections Trim features quick connect plug installed as standard for installation into IC23 LEDT24 and IC23R LEDT24 housings with mating connector • Trim ships as standard with a medium base socket adapter whip for installation into 6" incandescent housings with medium base sockets • Product shipping to California does not include medium base socket adapter (L/SKTWHIP).

Life Rated for 50,000 hours at 70% lumen maintenance.

Labels ENERGY STAR® Certified when used with select trims • Suitable for wet locations • Union made • UL and cUL classified for use with 6" incandescent medium based housings and Juno IC23 LEDT24 or IC23R LEDT24.

Testing All reports are based on published industry procedures; field performance may differ from laboratory performance.

Product specifications subject to change without notice.

COMPATIBLE HOUSINGS

The J6RL WD G4N retrofit module is compatible with most 6" recessed housings measuring at least 5-1/4" high with an inside diameter between 6" and 6-3/4". Removal of the housing socket plate or socket mounting bracket may be required in order for the trim to fit properly. If housing does not have torsion spring brackets, the V6RLTRB accessory is required. Compatible housings include, but not limited to:

Juno housings: IC2 and TC2 Series, IC22 Series, IC23 Series, IC21 Series

VuLite housings: V6IC and V6TC Series

Halo housings: H7 Series

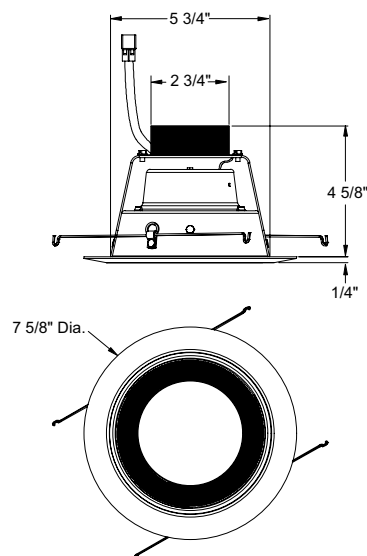
Thomas housings: PS1 and PS3 Series

Capri housings: QL1 Series

Lithonia housings: L7X and LC6 Series

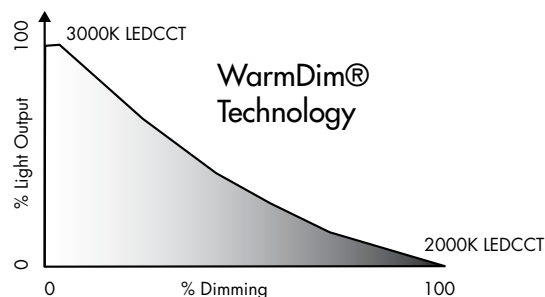


DIMENSIONS



ELECTRICAL DATA

120V	
Input Power	12W (+/- 5%)
Input Current	0.1A
Frequency	50/60Hz
EMI/RFI	FCC Title 47 CFR, Part 15, Class B (residential)
Minimum starting temp	-20°C



6" IC LED RETROFIT WARMDIM® DOWNLIGHT TRIM

600 LUMEN

J6RL WD G4N**ORDERING INFORMATION**

Ordering Example: J6RL WD G4N DB 06LM 30K 90CRI 120 FRPC WWH

Series	Dynamic Feature	Generation	Trim Designation	Lumens	Color Temperature
J6RL 6" LED Retrofit Downlight Trim Module	WD Warm Dim	G4N Generation 4	DB Downlight Baffle Trim DC Downlight Cone Trim	06LM 600 Nominal Lumens	30K 3000K

Color Rendering Index	Voltage	Driver	Trim Finish	Options
90CRI 90 CRI	120 120V	FRPC Forward/Reverse Phase Cut	BWH ¹ Black, White Trim Ring CWH Clear Alzak, White Trim Ring HZWH Haze, White Trim Ring WHZWH Wheat Haze, White Trim Ring WWH White, White Trim Ring	L/SKTWHIP ² Less Socket Whip (California Only) E26 screw base adapter not included

ACCESSORIES	
J6RLTRIM DB WWH	White Baffle Trim Insert
J6RLTRIM DB BWH	Black Baffle Trim Insert
J6RLTRIM DC CWH	Clear Cone Trim Insert
J6RLTRIM DC WWH	White Cone Trim Insert
J6RLTRIM DC HZWH	Haze Cone Trim Insert
J6RLTRIM DC WHZWH	Wheat Haze Cone Trim Insert
Replacement E26 screw base adapter for installation into incandescent housings.	
LEDRETROWHIP	Unit Pack
LEDRETROWHIP J10	Job pack 10 pcs
LEDRETROWHIP J25	Job pack 25 pcs

Notes:

- 1 Black baffle not ENERGY STAR rated.
- 2 Required for shipments to California.

6" IC LED RETROFIT WARMDIM® DOWNLIGHT TRIM

600 LUMEN

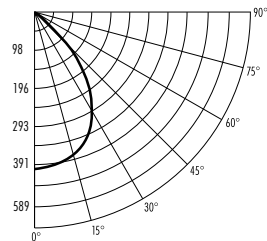
J6RL WD G4N

PHOTOMETRIC REPORT

Test Report #: PT09141107
Catalog No: J6RL WD G4N 06LM 30K
90CRI 120 FRPC
with White Baffle Trim

Luminaire Spacing Criterion: 1.18

Luminaire LPW: 56



CANDLEPOWER DISTRIBUTION (Candelas)

Degrees Vertical	0°
0	405
5	403
15	386
25	348
35	266
45	128
55	58
65	31
75	14
85	3
90	0

AVERAGE INITIAL FOOTCANDLES

Multiple Units (Square Array, 60'x60' room)
Ceiling 80% Wall 50% Floor 20%

Spacing	RCR1	RCR3	RCR5
4.0'	45	37	31
5.0'	29	24	20
6.0'	20	16	14
7.0'	16	13	11
8.0'	13	11	9
9.0'	10	8	7
10.0'	7	6	5

ZONAL LUMEN SUMMARY

Zone	Lumens	%Lamp	%Fixture
0-30°	307	N/A	45.6
0-40°	470	N/A	69.9
0-60°	624	N/A	92.8
0-90°	673	N/A	100.0

INITIAL FOOTCANDLES (One Unit, 12.1W, 79.2° Beam)

Distance to Illuminated Plane (Feet)	Footcandles Beam Center	Beam Diameter
4	25.3	6.6'
6	11.3	9.9'
8	6.3	13.2'
10	4.1	16.5'

LUMINANCE (Average cd/m²)

Degrees	Average Luminance
45	11704
55	6487
65	4685
75	3450
85	2005

Fixtures tested to IES recommended standard for solid state lighting per LM-79-08. Photometric performance on a single unit represents a baseline of performance for the fixture. Results may vary in the field.

PERFORMANCE DATA¹

Catalog Number	Trim	Watts		Efficacy (LPW)	Rated Life (Hours)
		(Typical)	Lumens		
J6RL WD G4N DC 06LM 30K 90CRI 120 FRPC CWH	Clear	12.1W	701	58	50,000
J6RL WD G4N DC 06LM 30K 90CRI 120 FRPC HZWH	Haze	12.1W	676	56	50,000
J6RL WD G4N DB 06LM 30K 90CRI 120 FRPC WWH	White Baffle	12.1W	673	56	50,000

¹Performance data, including Rated Life, is based on measurements of an individual fixture operating in a 25 °C ambient.