



# TRAC-MASTER®

Recessed Trac System

## TRAC SECTIONS, CONNECTORS & ACCESSORIES

TREC

Project: \_\_\_\_\_

Fixture Type: \_\_\_\_\_

Location: \_\_\_\_\_

Contact/Phone: \_\_\_\_\_

### PRODUCT DESCRIPTION

Flanged, single-circuit trac sections for recessing into plaster board or suspended grid ceiling. For straight runs only. Accepts all Trac-Master and Trac-Lites trac fixtures.

### PRODUCT SPECIFICATIONS

**Construction** Extruded aluminum flanged channel • One-piece thermoplastic insulator • Injection molded polycarbonate dead-end with set screw • Standard lengths may be cut-to-length by installer.

**Electrical** Two 12 gauge solid copper conductors • Rated 20 amps at 120 volts • Aluminum channel used as system ground • One-piece insulator insures consistent conductor spacing for reliable electrical contact • Insulating bushings supplied at mounting hole locations to prevent shorts to ground.

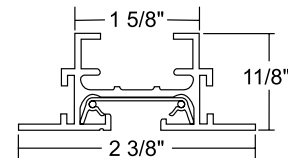
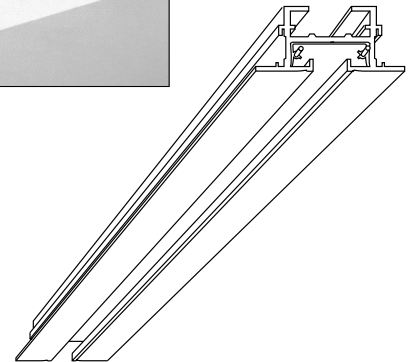
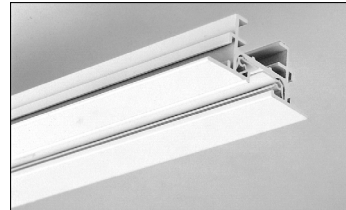
**Labels** UL listed, CSA certified.

### PRODUCT INSTALLATION

Debossed polarity line provides visual cue to proper trac, trac connector and fixture alignment • Supplied with toggle bolts • Insulator stays same length as extrusion to simplify field-cutting of trac • Connectors and feeds simply push into trac sections.

Specifications subject to change without notice.

### DIMENSIONS



### ORDERING INFORMATION

Example: TREC 8FT WH

Series	Length	Finish
<b>TREC</b> Trac-Master Recessed Track Section	<b>4FT</b> 4-foot track section; actual length 43-7/8"	<b>WH</b> White
	<b>8FT</b> 8-foot track section; actual length 91-7/8"	

### Trac Connectors

T121 WH	T123 WH
<p><b>End Feed Connector</b></p> <p>With wiring box for electrifying trac. Requires above-ceiling access.</p>	<p><b>Mini Straight Connector</b></p> <p>Mechanically and electrically joins two trac sections end to end.</p>

### Accessories

T31N BL, SL, WH	T32 BL, WH	T33 BL, WH
<p><b>Pendant Adapter</b></p> <p>Adapts corded, swag or chain-hung fixture to trac. Includes loop hook for chain installation and strain relief for direct cord suspension. Chain installation accepts cord diameters up to 0.270" and supports up to 15 lbs. Strain relief installation accepts cord diameters of 0.170" to 0.255", type SVT 18/3, and supports up to 5 lbs. May also be specified with GTYPE, HTYPE or LTYPE Alternate Mounting Adapters (i.e. T31N HTYPE WH). 5A max. UL Listed.</p>	<p><b>Plant or Utility Hook</b></p> <p>Supports up to 25 lbs. Not UL Listed.</p>	<p><b>Outlet Adapter</b></p> <p>Provides electrical receptacle. Not UL Listed.</p>