



# SUPER SLOPE CEILING TC HOUSING

Project: \_\_\_\_\_

Fixture Type: \_\_\_\_\_

Location: \_\_\_\_\_

Contact/Phone: \_\_\_\_\_

SUPER SLOPE:

7/12 to 12/12 PITCH (30° to 45°)

INCANDESCENT LAMPS

**TC928**

## PRODUCT DESCRIPTION

Slope ceiling TC Housing designed for use in non-insulated areas  
 • If installed where insulation is present, the insulation must be pulled back 3" from all sides of the TC housing.

## PRODUCT SPECIFICATIONS

**Lamp** Lamp ratings based on trim selected – see reverse.

**Socket** Medium base porcelain with nickel-plated copper screw shell  
 • Adjustable to position lamp perpendicular to floor.

**Trims** Trim selection shown on reverse.

**Labels** U.L. listed for through-branch wiring, damp locations and IP  
 • Product thermally protected against improper use of lamps or insulation  
 • Union made • UL Listed/CSA certified • Trim No. 603 is wet location approved for covered ceiling applications.

**Testing** All reports are based on published industry procedures; field performance may differ from laboratory performance.

Product specifications subject to change without notice.

## INSTALLATION

**Real Nail 3 Bar Hangers** Telescoping, Patented (US Patent D552,969) Real Nail 3 system permits quick placement of housing anywhere within 24" O.C. joists or suspended ceilings  
 • Integral T-bar notch and clip secures housing in suspended ceiling grid – no accessory clips required  
 • 24" expansion stop allows quick placement of fixture in standard grid spacing  
 • Bars scored in two locations for fast, clean breaking, allowing housing installation in tight applications  
 • Bars captive to mounting frame  
 • Edge-mounted for extra strength  
 • Captive bugle-headed ring shank nail for quick one-step installation and easy removal with claw hammer for fixture relocation  
 • Quick-Loc slot and oversized locking set screw lock fixture in position  
 • Bar hanger foot contoured to align to bottom of construction joist  
 • Alternate mounting holes included.

**Junction Box** Pre-wired junction box provided with (5) ½" and (1) ¾" knockouts, (4) Non-metallic sheathed cable connectors and ground wire, U.L. listed/CSA certified for through-branch wiring, maximum 8 No. 12 AWG 90° C branch circuit conductors (4 in, 4 out)  
 • Junction box provided with removable access plates  
 • Knockouts equipped with pryout slots.

**Mounting Frame** 22-gauge die-formed galvanized steel mounting frame  
 • Rough-in section (junction box, mounting frame, housing and bar hangers) fully assembled for ease of installation.

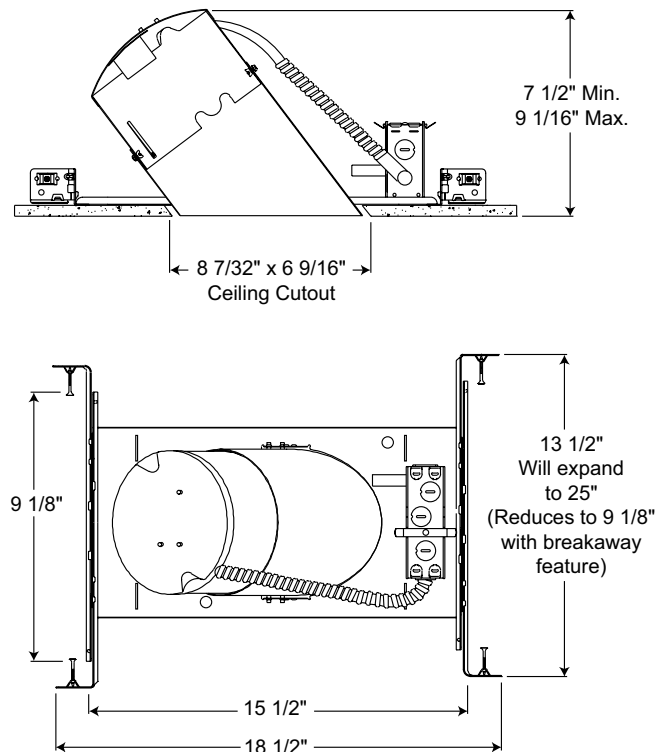
**Housing** TC housing, 22-gauge white painted steel with aluminum cap  
 • Housing is vertically adjustable to accommodate up to a 1" ceiling thickness  
 • Designed to fit 2x8 or 2x10 construction.

## PRODUCT CODES

Catalog Number	Input Voltage	Lamp Rating (max.)
TC928	120V	PAR16/PAR38

REV-5/15

## DIMENSIONS



# SUPER SLOPE CEILING TC HOUSING





SUPER SLOPE:

7/12 to 12/12 PITCH (30° to 45°)

INCANDESCENT LAMPS

**TC928**

## TRIMS/LAMPS

	Cat. No.	Description	Lamp Rating
	<b>602C-WH</b>	Multiplier Cone - Clear Alzak®	75W PAR30, 150W PAR38, 85W BR30
	<b>602G-WH</b>	Multiplier Cone - Gold Alzak®	
	<b>602B-WH</b>	Multiplier Cone - Black Alzak®	
	<b>602HZ-WH</b>	Multiplier Cone - Haze	
	<b>602HZ-SC</b>	Multiplier Cone - Haze	
	<b>602W-WH</b>	Multiplier Cone - White	
	<b>602WHZ-WH</b> <b>602WHZ-ABZ</b>	Multiplier Cone - Wheat Haze Multiplier Cone - Wheat Haze	
	<b>603B-WH</b> ◆	Lensed Shower Trim with Black Baffle	75W A19, 75W PAR30
	<b>603W-WH</b> ◆	Lensed Shower Trim with White Baffle	
	<b>604B-WH</b>	Downlight with Black Baffle	150W PAR38
	<b>604B-SC</b>	Downlight with Black Baffle	
	<b>604B-ABZ</b>	Downlight with Black Baffle	
	<b>604B-BL</b>	Downlight with Black Baffle	
	<b>604W-WH</b>	Downlight with White Baffle	
	<b>606B-WH</b>	Black Cylinder Spotlight with Black Baffle	60W PAR16
	<b>606W-WH</b>	White Cylinder Spotlight with White Baffle	

Trim Size: Cat. No. 604 - 9<sup>3</sup>/<sub>16</sub>" x 8<sup>3</sup>/<sub>16</sub>" O.D, Cat. No. 606 - 9<sup>1</sup>/<sub>8</sub>" O.D.

Trim Finish: ABZ - Classic Aged Bronze, BL - Black, GP - Graphite,

PW - Plastic White (Polycarbonate material shower trim), SC - Satin Chrome, SL - Silver, WH - White.

◆ UL Listed for use in wet location.