

KICHLER®

Cameron™

Product images may vary slightly from actual product.



INSTRUCTION MANUAL

TABLE OF CONTENTS

SAFETY RULES	4	INSTALLING THE LED LIGHT KIT	14
TOOLS AND MATERIALS REQUIRED	5	INSTALLING THE GLASS SHADE	14
PACKAGE CONTENTS	5	INSTALLING THE BATTERIES	15
MOUNTING OPTIONS	6	OPERATING INSTRUCTIONS	16-17
HANGING THE FAN	7-9	INSTALLING THE COOLTOUCH™ CONTROL SYSTEM WALL PLATE	18
INSTALLATION OF SAFETY SUPPORT	10	INSTALLING THE TRANSMITTER	19
MAKE THE ELECTRICAL CONNECTIONS	11-12	TROUBLESHOOTING	20-21
FINISHING THE INSTALLATION	12	SPECIFICATIONS	21
ATTACHING THE FAN BLADES	13	FCC INFORMATION	22
INSTALLING THE LIGHT PLATE	13		

SAFETY RULES

1. To reduce the risk of electric shock, ensure electricity has been turned off at the circuit breaker or fuse box before beginning.
2. All wiring must be in accordance with the National Electrical Code and local electrical codes. Electrical installation should be performed by a qualified licensed electrician.
3. **WARNING:** To reduce the risk of fire, electric shock, or personal injury, use mounting screws provided with the outlet box. Most outlet boxes commonly used for fan support and may need to be replaced. Due to the complexity of the installation of this fan, a qualified licensed electrician is strongly recommended.

WARNING

TO REDUCE THE RISK OF FIRE, ELECTRIC SHOCK OR PERSONAL INJURY, MOUNT FAN TO OUTLET BOX MARKED "ACCEPTABLE FOR FAN SUPPORT".

4. The outlet box and support structure must be securely mounted and capable of reliably supporting a minimum of 50 pounds. Use only CUL Listed outlet boxes marked "FOR FAN SUPPORT".
5. The fan must be mounted with a minimum of 7 feet clearance from the trailing edge of the blades to the floor.
6. Do not operate reversing switch while fan blades are in motion. Fan must be turned off and blades stopped before reversing blade direction.
7. Avoid placing objects in the path of the blades.
8. To avoid personal injury or damage to the fan and other items, be cautious when working around or cleaning the fan.

9. Do not use water or detergents when cleaning the fan or fan blades. A dry dust cloth or lightly dampened cloth will be suitable for most cleaning.
10. After making the electrical connections, spliced conductors should be turned upward and pushed carefully up into outlet box. The wires should be spread apart with the ground wire and white (common) wire to one side with the black (load) wire to the other side of the outlet box.
11. Electrical diagrams are reference only. Light kits that are not packed with the fan must be CUL Listed and marked suitable for use with the model fan you are installing. Switches must be CUL General Use Switches. Refer to the Instructions packaged with the light kits and switches for proper assembly.

WARNING

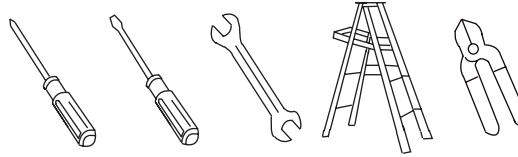
TO REDUCE THE RISK OF PERSONAL INJURY, DO NOT BEND THE BLADE BRACKETS (ALSO REFERRED TO AS FLANGES) DURING ASSEMBLY OR AFTER INSTALLATION. DO NOT INSERT OBJECTS IN THE PATH OF THE BLADES.

SPECIAL NOTICE

This appliance is equipped with a "Wattage Limiting Device" required by the United States Department of Energy. The device has been installed at the factory and can not be removed. Installing Lamps in excess of 75 total watts will disable the unit's light fixture. If this should happen, you will need to reset the lighting fixture by turning the power off to the ceiling fan and/or light fixture, reinstalling lamps totaling less than 75 watts and then turning the power back on.

TOOLS AND MATERIALS REQUIRED

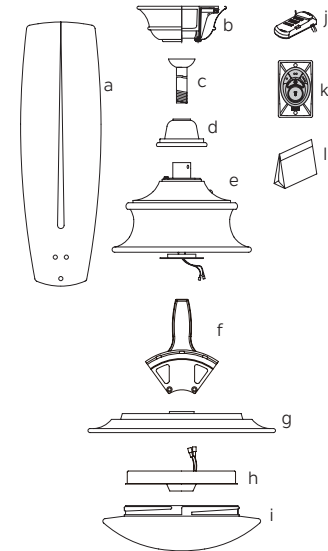
- Phillips screwdriver
- Blade screwdriver
- 11 mm wrench
- Step ladder
- Wire cutters



PACKAGE CONTENTS

Unpack your fan and check the contents . You should have the following items:

- A. Fan blades (5)
- B. Canopy & Ceiling mounting bracket
- C. Ball/downrod assembly
- D. Coupling cover
- E. Fan motor assembly
- F. Set of 5 blade brackets and Pre-Installed mounting screws
- G. Light plate
- H. Switch housing
- I. Glass shade
- J. CoolTouch™ Receiver
- K. Basic Function CoolTouch™ Control System
- L. Part bag contents
 - 1) Mounting hardware: wood screws (2), flat washers (2), star washers (2), wire nuts (3), screws (2)
 - 2) Blade attachment hardware : screws (17), fiber washers (17)
 - 3) Blade brackets hardware: screws (2)
 - 4) Safety cable hardware: Wood screw, spring washer, flat washer
 - 5) Balance kit



MOUNTING OPTIONS

If there isn't an existing UL (cUL for Canadian Installation) listed mounting box, then read the following instructions. Disconnect the power by removing fuses or turning off circuit breakers.

Secure the outlet box directly to the building structure. Use appropriate fasteners and building materials. The outlet box and its support must be able to fully support the moving weight of the fan (at least 50 lbs). Do not use plastic outlet boxes.

Figures 1, 2 and 3 are examples of different ways to mount the outlet box.

NOTE: If you are installing the ceiling fan on a sloped (vaulted) ceiling, you may need a longer downrod to maintain proper clearance between the tip of the blade and the ceiling. A minimum clearance of 12" is suggested for optimal operation.

NOTE: Depending on the location you have selected for installation, you may need to purchase and install a "Joist Hanger" for the support of the outlet box. Make sure the joist hanger you purchase has been designed for use with ceiling fans. (Fig. 4)

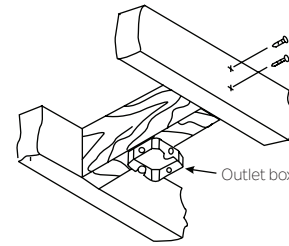


Fig. 1

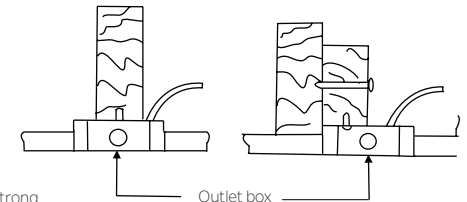


Fig. 2

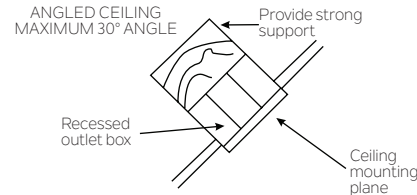


Fig. 3

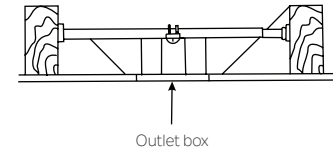


Fig. 4

HANGING THE FAN

REMEMBER to turn off the power before you begin. To properly install your ceiling fan, follow the steps below.

Step 1. Remove the decorative canopy bottom cover from the canopy by turning the cover counter clockwise. (Fig. 5)

Step 2. Remove the ceiling mounting bracket from the canopy by removing (and save) one of the two screws. Loosen the remaining screw by a half turn. (Fig. 5)

Step 3. Pass the 120 volt supply wires from the ceiling outlet box through the center of the ceiling mounting bracket. (Fig. 6)

Step 4. Attach the ceiling mounting bracket to the outlet box using the screws and washers included with the outlet box. (Fig. 6)

Step 5. Remove the hanger ball from the downrod assembly by loosening the set screw, removing the cross pin and sliding the ball off the rod. (Fig. 7)

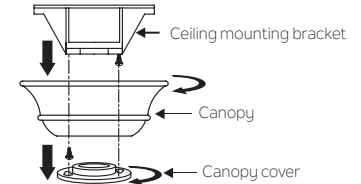


Fig. 5

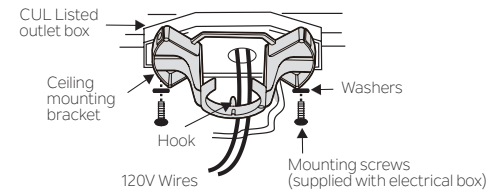


Fig. 6

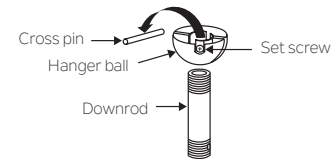


Fig. 7

HANGING THE FAN

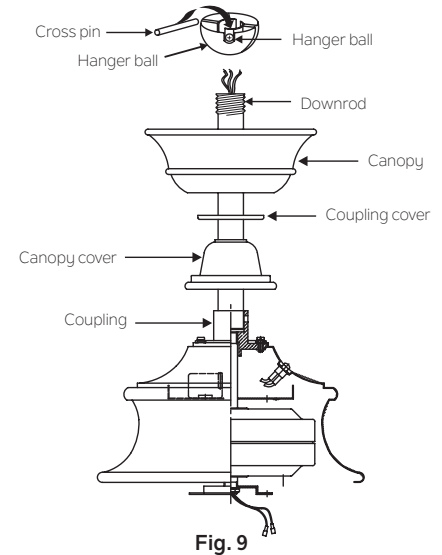
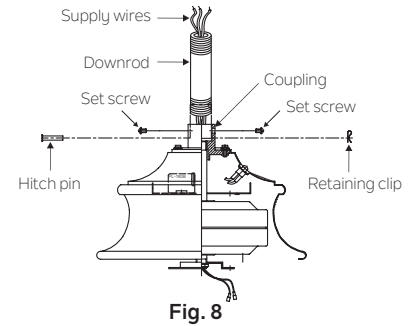
Step 6. Loosen the two set screws and remove the hitch pin and retaining clip from the coupling on top of the motor assembly. (Fig. 8)

Step 7. Carefully feed the electrical lead wires from the fan up through the downrod. Thread the downrod into the coupling until the Hitch pin holes are aligned.

Next, replace the hitch pin and retaining clip. Tighten both set screws. (Fig. 8)

Step 8. Slip the coupling cover, canopy cover and canopy onto the downrod.

Thread the hanger ball onto the downrod, insert the cross pin through the downrod and tighten. Now tighten the set screw. (Fig. 9)



HANGING THE FAN

Step 9. Lift the motor assembly into position and place the hanger ball into the ceiling mounting bracket.

Rotate the entire assembly until the “Check Tab” has dropped into the “Registration Slot” and seats firmly. (Fig. 10)

The entire motor assembly should not rotate (left or right) when seated properly.

WARNING: Failure to reattach the cross pin and seat the “Check Tab” can cause the fan to fall from the ceiling during operation. Take special care to make sure this pin is reattached.

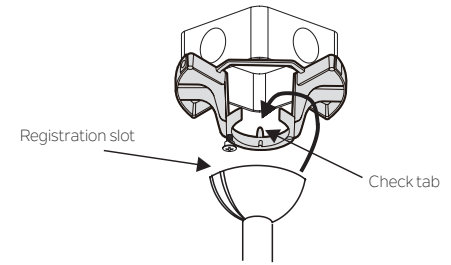


Fig. 10

INSTALLATION OF SAFETY SUPPORT (Required for Canadian installation ONLY)

A safety support cable is provided to help prevent the ceiling fan from falling, please install it as follows.

Step 1. Attach the provided wood screw and washers to the ceiling joist next to the mounting bracket but do not tighten. (Fig. 11)

Step 2. Adjust the length of the safety cable to reach the screw and washers by pulling the extra cable through the cable clamp until the overall length is correct, put the end of the cable back through the cable clamp, forming a loop at the end of the cable. Tighten the cable clamp securely. Now, put the loop in the end of the safety cable over the wood screw and under the washer. Tighten the wood screw securely.

NOTE: Although the safety support cable is required for Canadian installations only. It's a good idea to make the attachment with any installation.

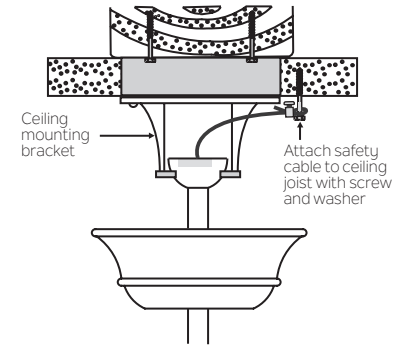


Fig. 11

MAKE THE ELECTRIC CONNECTIONS

WARNING: To avoid possible electrical shock, be sure you have turned off the power at the main circuit panel.

NOTE: In the Transmitter, Set Dip Switch #5 on the D position. This enables the dimming function.

NOTE: The CoolTouch™ Control System is equipped with 16 possible frequency combinations to prevent interference from or with other remote control units. The frequency switches on your receiver and transmitter have been preset at the factory. Please recheck to make sure the switches on transmitter and receiver are set to the same position. (Fig. 12)

Step 1. Insert the receiver into the ceiling mounting bracket with the flat side of the receiver facing the ceiling. (Fig. 13) For best performance, make sure the Black Antenna, on the end of the receiver, remains extended and not tangled with any of the electrical wires.

Step 2. Motor to Receiver Electrical Connections: (Fig. 14) Connect the black wire from the fan to the black wire marked “TO MOTOR L” on the receiver.

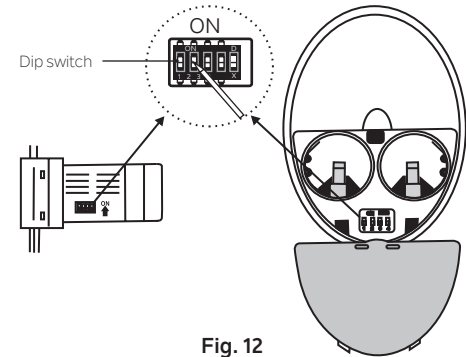


Fig. 12

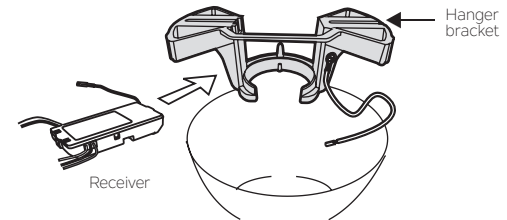


Fig. 13

MAKE THE ELECTRIC CONNECTIONS

Connect the white wire from the fan to the white wire marked "TO MOTOR N" from the receiver.
Connect the blue wire from the fan to the blue wire marked "FOR LIGHT" from the receiver.
Secure all the wire connections with the plastic wire nuts provided.

Step 3. (Fig. 14) Receiver to House Supply Wires Electrical Connections: Connect the black (hot) wire from the ceiling to the black wire marked "AC in L" from the receiver. Connect the white (neutral) wire from the ceiling to the white wire marked "AC in N" from the Receiver. Secure the wire connections with the plastic wire nuts provided.

Step 4. (Fig. 14) If your outlet box has a ground wire (green or bare copper) connect it to the fan ground wires; otherwise connect the hanging bracket ground wire to the mounting bracket. Secure the wire connection with a plastic nut provided. After connecting the wires, spread them apart so that the green and white wires are on one side of the outlet box and black and blue wires are on the other side. Carefully tuck the wire connections up into the outlet box.

NOTE: Fan must be installed at a maximum distance of 30 feet from the CoolTouch™ Remote Transmitter for optimal signal transmission between the transmitter and the fan's receiving unit.

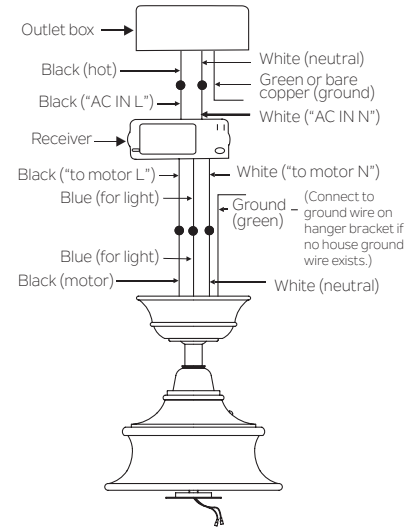


Fig. 14

FINISHING THE INSTALLATION

Step 1. Tuck all the connections neatly into the ceiling outlet box.

Step 2. Slide the canopy up to the mounting bracket and place one of the key hole slots over the mounting screw on the mounting bracket. Rotate the canopy until the screw head locks in place at the narrow section of the key hole. See figure 15.

Step 3. Align the remaining circular hole on the canopy with the remaining hole on the Ceiling Mounting Bracket. Insert and tighten the mounting screw you removed earlier and the mounting screw from Step 2 above. Now, attach the canopy cover to the mounting screw heads by inserting the screw heads into the bottom side of the canopy cover and rotating the cover clockwise.

NOTE: Adjust the canopy screws as necessary until the canopy and canopy cover are snug. (Fig. 15)

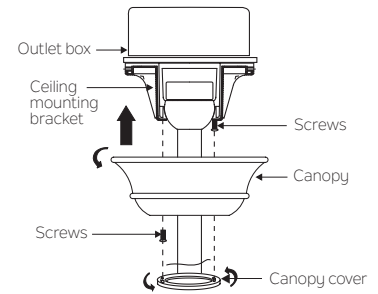


Fig. 15

ATTACHING THE FAN BLADES

Step 1. Attach a blade to a blade bracket using the screws and rubber washers provided. (Fig.16)

Make sure the blade is straight when set on the blade bracket. Tighten each mounting screw and then repeat this procedure for each blade.

Step 2. Attach each blade assembly to the motor using the “Pre-Installed” mounting screws in the blade bracket. (Fig 16)

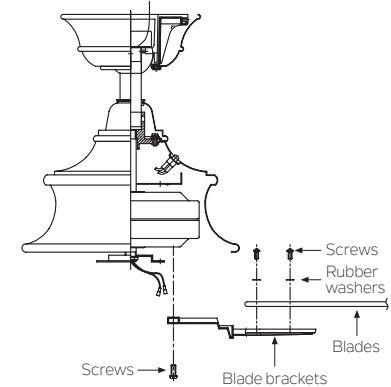


Fig. 16

INSTALLING THE LIGHT PLATE

Step 1. Loosen the two screws on the mounting ring attached to the motor shaft and “remove” and save the third screw. (Fig. 17)

Step 2. Place the key hole slots on the light plate over the two screws previously loosened on the mounting ring.

Turn the light plate until it locks in place at the narrow section of the key hole slots.

Tighten both key hole screws and replace the third screw previously removed and tighten securely.

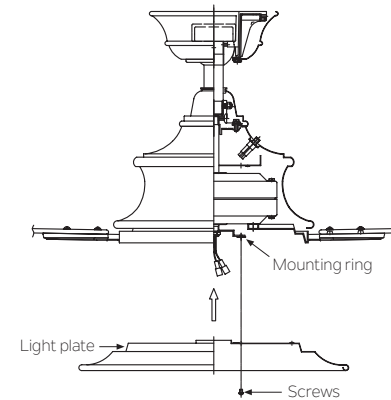


Fig. 17

INSTALLING THE LED LIGHT KIT

NOTE: Before continuing installation, confirm that the power is still turned off at the main circuit breaker or by removing the correct fuse. Turning the power off using a wall switch is not sufficient to prevent electrical shock.

Step 1. Loosen the two mounting screws on the inside of the light plate then remove and save the third screw.

Hold the LED light kit close to the light plate and connect the white wires from the socket plate and the fan by pushing the connectors together. Follow the same procedure with the black wire connectors. (Fig. 18)

Step 2. Tuck the connections neatly into the light plate. Place the key holes on the LED light kit over the 2 screws previously loosened from the light plate, turn the LED light kit until it locks in place at the narrow section of the key holes. Secure by tightening all three screws. (Fig. 18)

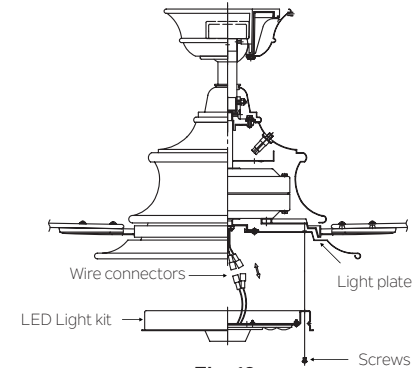


Fig. 18

INSTALLING THE GLASS SHADE

Raise the glass shade against the LED light kit and turn clockwise until snug, DO NOT OVER TIGHTEN. (Fig. 19)

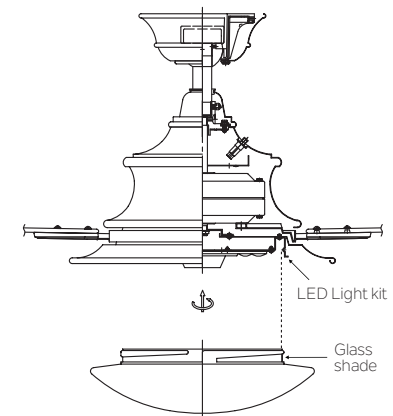


Fig. 19

INSTALLING THE BATTERIES

Remove the battery compartment cover on the back of the CoolTouch™ Transmitter and insert both batteries provided. Make sure the + sign is facing up.

Take care during this procedure NOT TO move the frequency dip switches inside this compartment. The settings MUST remain the same as the settings on the receiver for proper communication with the control system.

It's a good idea to remove these batteries if your fan is not used for extend periods of time, (months).

NOTE: Make sure Dip Switch #5 is set to the D position. This enables the dimming function.

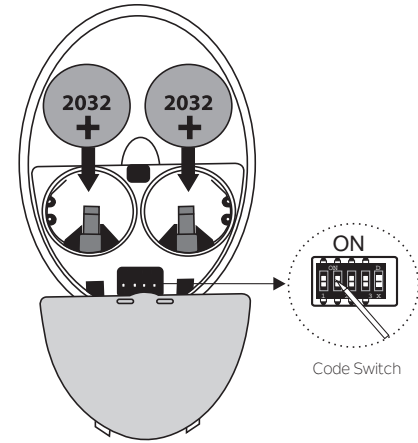


Fig. 20

OPERATING INSTRUCTIONS

Restore power to ceiling fan and test for proper operation.

A. ○, ○○, and ○○○ buttons:

These three buttons are used to set the fan speed as follows:

○○○ = High speed

○○ = Medium speed

○ = Low speed

B.  button:

This button turns the fan off.

C. The "" button: turns the light fixture On/Off or controls dimming.
Press and release for On or Off, Press and HOLD for full range dimming.

NOTE: As stated above, the light dimming function on this control is operated by holding down the light button and releasing it at the desired brightness level.

This control system is NOT designed to "Reverse" the rotation of the blades. To set the fan blades in reverse, the reverse slide switch is located on the top of the Motor Housing. See Fig. 22

Do not operate reversing switch while fan blades are in motion. Fan must be turned off and blades stopped before reversing blade direction.

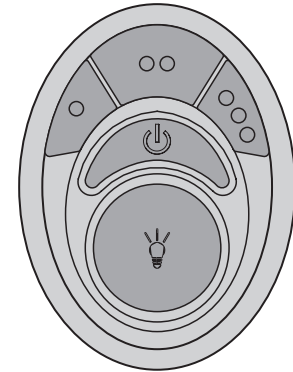


Fig. 21

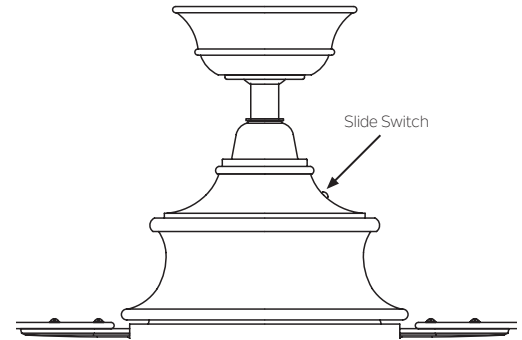


Fig. 22

OPERATING INSTRUCTIONS

Speed settings for warm or cool weather depend on factors such as the room size. Ceiling height, number of fans and so on.

Warm Weather Operation: Forward (counter clockwise) A downward airflow creates a cooling effect as shown in Fig. 23. This allows you to set your air conditioner on a warmer setting without affecting your general comfort.

Cool Weather Operation: Reverse (clockwise). An upward airflow moves warm air off the ceiling areas as shown in Fig. 24. This allows you to set your heating unit on a cooler setting without affecting your general comfort.

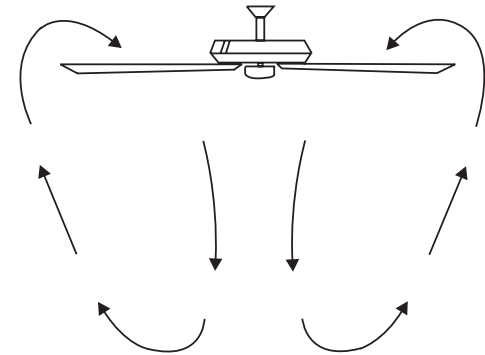


Fig. 23

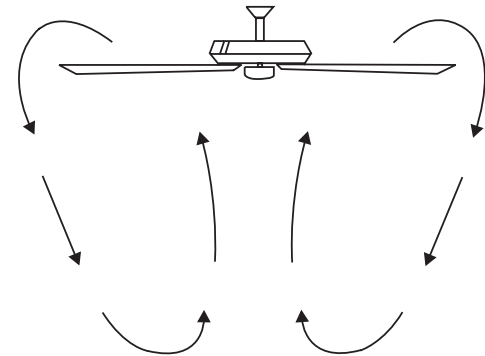


Fig. 24

INSTALLING THE COOLTOUCH™ CONTROL SYSTEM WALL PLATE

NOTE: All wiring must be in accordance with the National Electrical Code and local electrical codes. Electrical installation should be performed by a qualified licensed electrician.

Select a location to install your CoolTouch™ Control System Transmitter. You can replace an existing wall switch or, install the transmitter on ANY flat surface.

Option 1: Install the control system using an existing wall switch outlet box. Make sure the electrical power is **TURNED OFF** at the main panel before continuing.

NOTE: Switch installation must comply with all local and national electric code.

Step 1. Remove the existing wall plate and the old switch from the wall outlet box. Wire nut the **BLACK** leads (hot) together and push back inside the outlet box. (Fig. 25)

Step 2. Install the metal plate and CoolTouch™ wall plate to the existing wall outlet box with 4 screws provided. Then place the two plastic plugs into the wall plate. (Fig. 26)

Option 2: Install the control system on ANY flat surface.

Select the desired location and use the CoolTouch™ wall plate to mark the location for the mounting holes. Use the dry wall anchors and/or screws provided and finish the installation.

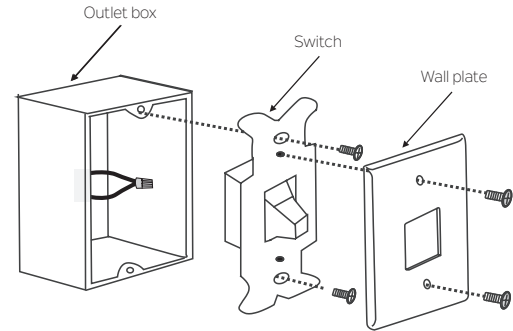


Fig. 25

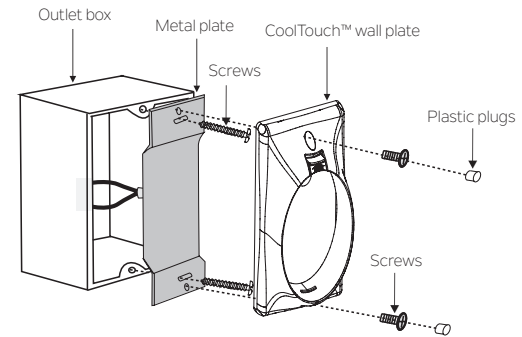


Fig. 26

INSTALLING THE TRANSMITTER

1. Insert the transmitter into the wall plate by inserting the bottom of the transmitter first and then press the top of the transmitter into the pocket. The transmitter will fully function from this location or you can remove the transmitter and use as a “Hand Held” device.

2. To remove the transmitter from the wall plate, push the release button and the transmitter will fall into your hand.

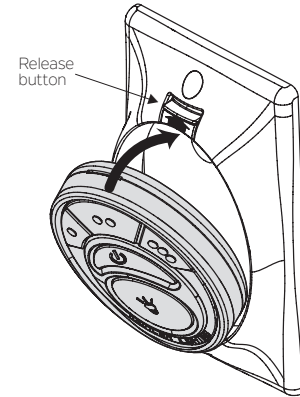


Fig. 27

TROUBLESHOOTING

Problem	Solution
Fan will not start.	<ol style="list-style-type: none">1. Check circuit fuses or breakers.2. Check all electrical connections to ensure proper contact. CAUTION: Make sure the main power is OFF when checking any electrical connection.3. Make sure the transmitter batteries are installed properly. Positive (+) side facing out.4. Ensure the batteries have a good charge.
Fan sounds noisy.	<ol style="list-style-type: none">1. Make sure all motor housing screws are snug.2. Make sure the screws that attach the fan blade brackets to the motor are tight.3. Make sure wire nut connections are not rubbing against each other or the interior wall of the switch housing. CAUTION: Make sure main power is off.4. Allow a 24-hour "breaking-in" period. Most noise associated with a new fan disappear during this time.5. If using an optional light kit, make sure the screws securing the glassware are tight. Make sure the light bulbs are not touching any other component.6. Do not connect this fan to wall mounted variable speed control(s). they are not compatible with ceiling fan motors or remote controls.7. Make sure the upper canopy is a short distance from the ceiling. It should not touch the ceiling.

TROUBLESHOOTING

Problem

Solution

Fan wobble.

1. Check that all blade and blade arm screws are secure.
2. Most fan wobbling problems are caused when blade levels are unequal. Check this level by selecting a point on the ceiling above the tip of one of the blades. Measure this distance. Rotate the fan until the next blade is positioned for measurement. Repeat for each blade. The distance deviation should be equal within 1/8".
3. Use the enclosed Blade Balancing Kit if the blade wobble is still noticeable.
4. If the blade wobble is still noticeable, interchanging two adjacent (side by side) blades can redistribute the weight and possibly result in smoother operation.

Remote control malfunction.

1. Ceiling Fans with remote control systems CAN NOT be operated in conjunction with any other control system EXCEPT a basic On/Off wall switch, if desired.
2. Make sure the frequency dip switches in the transmitter and receiver have identical settings.
3. Make sure the Black Antenna on the receiver is NOT tangled with any other electrical wires and is extended around the inside of the ceiling canopy.

SPECIFICATIONS

Fan Size	Speed	Volts	Amps	Watts	RPM	CFM	CFM/W	N.W.	G.W.	C.F.
52"	High	120	0.50	60.50	148	5375.09	88.84	11.15 kgs	12.83 kgs	2.73'
	Medium	120	0.42	30.70	105	3670.64	119.56			
	Low	120	0.26	9.70	48	1683.75	173.58			

These are approximate measurements. They do not include data for any lamps or fixtures attached to the ceiling fan.

FCC INFORMATION

This device complies with part 15 of the FCC Rules. Operation is subject to the following two conditions:

- 1) This device may not cause harmful interference, and
- 2) This device must accept any interference received, including interference that may cause undesired operation.

Note: This equipment has been tested and found to comply with the limits for a Class B digital device, pursuant to part 15 of the FCC Rules. These limits are designed to provide reasonable protection against harmful interference in a residential installation. This equipment generates, uses and can radiate radio frequency energy and, if not installed and used in accordance with the instructions, may cause harmful interference to radio communications. However, there is no guarantee that interference will not occur in a particular installation. If this equipment does cause harmful interference to radio or television reception, which can be determined by turning the equipment off and on, the user is encouraged to try to correct the interference by one or more of the following measures:

- Reorient or relocate the receiving antenna.
- Increase the separation between the equipment and receiver.
- Connect the equipment into an outlet on a circuit different from that to which the receiver is connected.
- Consult the dealer or an experienced radio/TV technician for help.

KICHLER®

KICHLER® LIGHTING

7711 EAST PLEASANT VALLEY ROAD, P.O. BOX 318010

CLEVELAND, OHIO 44131-8010

CUSTOMER SERVICE 866.558.5706

8:30 AM TO 5:00 PM EST, MONDAY - FRIDAY

KICHLER®

Cameron™

Le produit peut différer légèrement des illustrations.



MANUEL D'INSTRUCTIONS

TABLE OF CONTENTS

LES RÈGLES DE SÉCURITÉ	4	INSTALLATION DE LA PLAQUETTE.....	14
OUTILS ET MATÉRIAUX REQUIS.....	5	INSTALLATION DES LAMPES ET DE L'OMBRE DE VERRE	14
CONTENU DU COLIS	5	INSTALLER LES PILES.....	15
OPTIONS DE MONTAGE	6	INSTRUCTIONS D'UTILISATION	16-17
SUSPENDRE LE FAN.....	7-9	INSTALLATION DE LA PLAQUE MURALE DU SYSTÈME DE COMMANDE COOLTOUCH™ ...	18
INSTALLATION DU SUPPORT DE SÉCURITÉ	10	INSTALLATION DE L'ÉMETTEUR.....	19
CONNECTIONS ELECTRIQUES.....	11-12	DÉPANNAGE.....	20-21
FINITION DE L'INSTALLATION.....	12	CARACTÉRISTIQUES.....	21
FIXATION DES PALES DE VENTILATEUR.....	13	FCC INFORMATION	22
INSTALLATION DE LA PLAQUE LUMINEUSE	13		

LES RÈGLES DE SÉCURITÉ

1. Avant de commencer, assurez-vous que l'électricité a été coupée au niveau du disjoncteur ou de la boîte à fusibles afin de réduire les risques d'électrocution.
2. Tout le câblage doit être conforme au code électrique national et aux codes électriques locaux. L'installation électrique doit être effectuée par un électricien qualifié et agréé.
3. **ATTENTION:** Pour réduire les risques d'incendie, de choc électrique ou de blessures, utilisez les vis de montage fournies avec la boîte de prise de courant. La plupart des boîtes de sortie couramment utilisées pour le support des appareils d'éclairage ne sont pas acceptables pour le support du ventilateur et doivent éventuellement être remplacées. En raison de la complexité de l'installation de ce ventilateur, un électricien qualifié et agréé est fortement recommandé.
4. La boîte de sortie et la structure de support doivent être solidement montées et capables de supporter de manière fiable un minimum de 50 livres. Utilisez uniquement des boîtes de sortie répertoriées CUL marquées "POUR SUPPORT DE VENTILATEUR".

ATTENTION

AFIN DE RÉDUIRE LES RISQUES D'INCENDIE, D'ÉLECTROCUTION OU DE BLESSURES, MONTEZ LE VENTILATEUR SUR UNE BOÎTE DE SORTIE PORTANT LA MENTION "ACCEPTABLE POUR LE SUPPORT DE VENTILATEUR".

5. Le ventilateur doit être monté avec un dégagement minimum de 7 pieds du bord de fuite des pales au sol.
6. Ne pas actionner l'inverseur lorsque les pales du ventilateur sont en mouvement. Le ventilateur doit être éteint et les pales arrêtées avant d'inverser le sens de rotation des pales.
7. Évitez de placer des objets sur le chemin des lames.
8. Pour éviter des blessures ou des dommages au ventilateur et à d'autres objets, soyez prudent lorsque vous travaillez ou nettoyez le ventilateur.

9. N'utilisez pas d'eau ou de détergent pour nettoyer le ventilateur ou ses pales. Un chiffon à poussière sec ou légèrement humide convient à la plupart des travaux de nettoyage.
10. Après avoir établi les connexions électriques, les conducteurs épissés doivent être tournés vers le haut et poussés avec précaution dans la boîte de sortie. Les fils doivent être écartés avec le fil de terre et le fil blanc (commun) d'un côté et le fil noir (de charge) de l'autre côté du boîtier de prise.
11. Les schémas électriques ne sont que des références. Les kits d'éclairage qui ne sont pas fournis avec le ventilateur doivent être répertoriés dans la liste CUL et porter un marquage approprié pour une utilisation avec le ventilateur modèle que vous installez. Les commutateurs doivent être des commutateurs à usage général CUL. Reportez-vous aux instructions fournies avec les kits d'éclairage et les commutateurs pour un montage correct.

ATTENTION

POUR RÉDUIRE LES RISQUES DE BLESSURES CORPORELLES, NE PLIEZ PAS LES SUPPORTS DE LAME (VÉRIFIEZ ÉGALEMENT EN TANT QUE BRIDES) LORS DE L'ASSEMBLAGE OU APRÈS L'INSTALLATION. NE PAS INSÉRER D'OBJETS DANS LE CHEMIN DES LAMES.

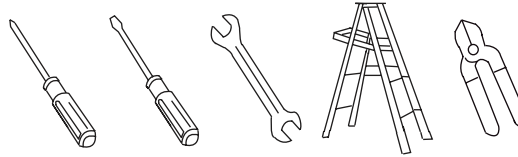
Avis spécial

Cet appareil est équipé d'un «dispositif de limitation de la consommation en watts», requis par le ministère de l'Énergie des États-Unis. L'appareil a été installé en usine et ne peut pas être retiré.

L'installation de lampes excédant 75 watts au total désactivera le luminaire de l'appareil. Si cela devait se produire, vous devrez réinitialiser l'appareil d'éclairage en coupant l'alimentation du ventilateur de plafond et / ou de l'appareil d'éclairage, en réinstallant les lampes d'une puissance totale inférieure à 75 watts, puis en les rallumant.

OUTILS ET MATÉRIAUX REQUIS

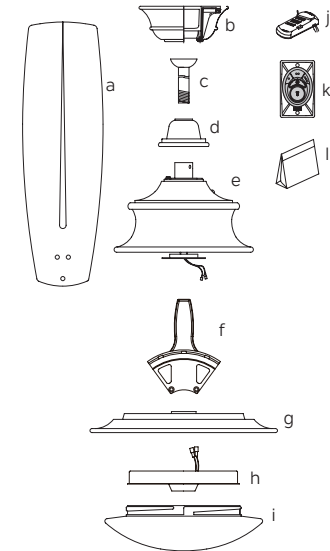
- Tournevis Philips
- Tournevis à lame
- Clé de 11 mm
- Escabeau
- Pincés coupantes



CONTENU DU COLIS

Déballez votre ventilateur et vérifiez le contenu. Vous devriez avoir les éléments suivants:

- A. Pales de ventilateur (5)
- B. Support de montage auvent et au plafond
- C. Assemblage boule / tige
- D. Couvercle d'accouplement
- E. Moteur du ventilateur
- F. Ensemble de 5 supports de lame et vis de montage préinstallées
- G. Plaque de lumière
- H. Kit d'éclairage LED 23W
- I. Abat-jour en verre
- J. Récepteur CoolTouch™
- K. Système de contrôle CoolTouch™ avec fonctions de base
- L. Contenu du sac
 - 1) matériel de montage: vis à bois (2), rondelles plates (2), rondelles en étoile (2), écrous métalliques (3), vis (2)
 - 2) matériel de fixation de la lame: vis (17), rondelles en caoutchouc (17)
 - 3) Matériel de fixation du support de lame: vis (2)
 - 4) Matériel de câble de sécurité: vis à bois, rondelle élastique, rondelle plate
 - 5) Kit d'équilibre



OPTIONS DE MONTAGE

S'il n'y a pas de boîtier de montage répertorié UL (cUL pour les installations au Canada), lisez les instructions suivantes. Déconnectez l'alimentation en retirant les fusibles ou en désactivant les disjoncteurs.

Fixez la boîte de sortie directement à la structure du bâtiment. Utilisez des fixations et des matériaux de construction appropriés. La boîte de sortie et son support doivent pouvoir supporter pleinement le poids en mouvement du ventilateur (au moins 50 lb). Ne pas utiliser de boîtes de sortie en plastique.

Les figures 1, 2 et 3 sont des exemples de différentes manières de monter le boîtier de sortie.

REMARQUE: Si vous installez le ventilateur de plafond sur un plafond incliné (voûté), vous aurez peut-être besoin d'une tige de descente plus longue pour conserver un jeu suffisant entre la pointe de la pale et le plafond. Un dégagement minimum de 12 "est suggéré pour un fonctionnement optimal.

REMARQUE: Selon l'emplacement que vous avez choisi pour l'installation, vous devrez peut-être acheter et installer un "support de solive" pour la prise en charge du boîtier de prise. Assurez-vous que le support de solive que vous avez acheté a été conçu pour être utilisé avec des ventilateurs de plafond. (Fig. 4) for the support of the outlet box. Make sure the joist hanger you purchase has been designed for use with ceiling fans. (Fig. 4)

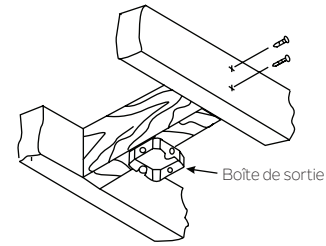


Fig. 1

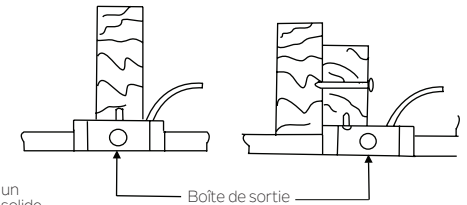


Fig. 2

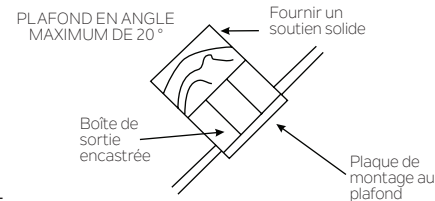


Fig. 3

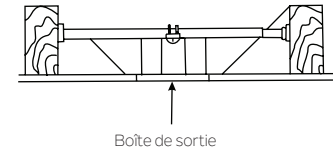


Fig. 4

SUSPENDRE LE FAN

N'OUBLIEZ PAS de couper l'alimentation avant de commencer. Pour installer correctement votre ventilateur de plafond, suivez les étapes ci-dessous.

Étape 1. Enlevez le couvercle inférieur du baldaquin décoratif du baldaquin en le tournant dans le sens antihoraire. (Fig. 5)

Étape 2. Retirez le support de fixation au plafond de l'auvent en retirant (et enregistrez) l'une des deux vis. Desserrez la vis restante d'un demi-tour. (Fig. 5)

Étape 3. Passez les fils d'alimentation de 120 volts de la boîte de sortie du plafond au centre du support de fixation au plafond. (Fig. 6)

Étape 4. Fixez le support de montage au plafond à la prise de courant à l'aide des vis et des rondelles fournies avec celle-ci. (Fig. 6)

Étape 5. Retirez la boule de suspension de l'assemblage de la tige descendante en desserrant la vis de réglage, en retirant la goupille transversale et en faisant glisser la boule de la tige. (Fig. 7)

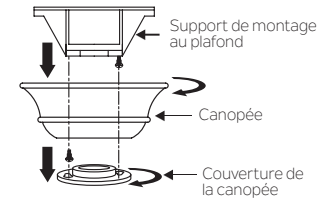


Fig. 5

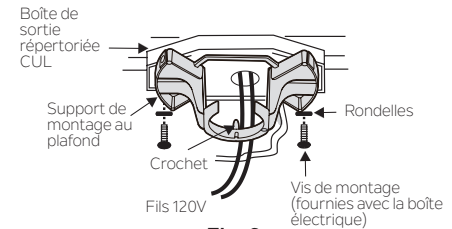


Fig. 6

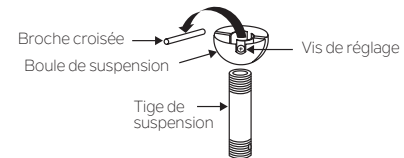


Fig. 7

SUSPENDRE LE FAN

Étape 6. Desserrez les deux vis de réglage et retirez la goupille d'attelage et le clip de fixation de l'accouplement situé au-dessus de l'ensemble du moteur. (Fig. 8)

Étape 7. Faites passer avec précaution les câbles électriques du ventilateur à travers la tige descendante. Vissez la tige dans l'accouplement jusqu'à ce que les trous des goupilles d'attelage soient alignés.

Ensuite, remplacez la goupille d'attelage et le clip de retenue. Serrez les deux vis de pression. (Fig. 8)

Étape 8. Glissez le couvercle de l'accouplement, le couvercle du pavillon et le pavillon sur la tige de suspension.

Enfilez la boule de suspension sur la tige, insérez la goupille transversale dans la tige et serrez. Serrez maintenant la vis de pression. (Fig. 9)

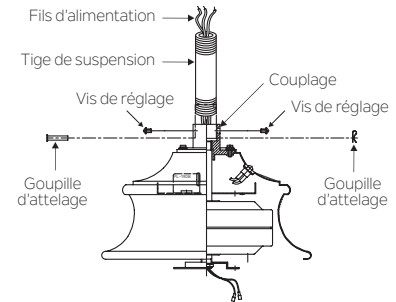


Fig. 8

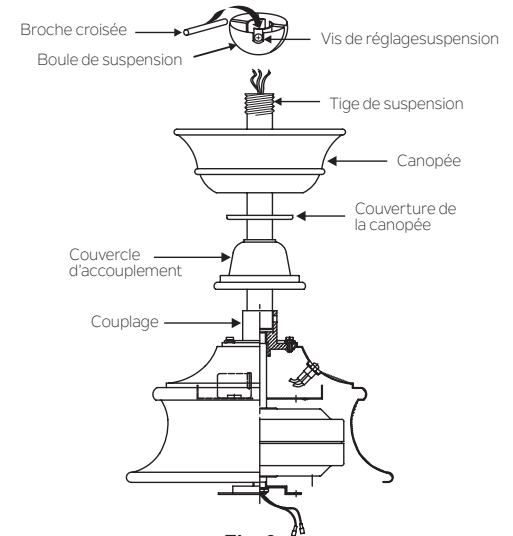


Fig. 9

SUSPENDRE LE FAN

Étape 9. Soulevez l'ensemble du moteur en position et placez la boule de suspension dans le support de fixation au plafond.

Faites pivoter l'ensemble complet jusqu'à ce que le "Check Tab" soit tombé dans la "fente d'enregistrement" et s'assoie fermement. (Fig. 10)

L'ensemble du moteur ne doit pas tourner (à gauche ou à droite) lorsqu'il est correctement assis.

ATTENTION: Si vous ne ré-attachez pas la goupille transversale et ne placez pas le "Check Tab", le ventilateur risque de tomber du plafond pendant le fonctionnement. Faites particulièrement attention à ce que cette épingle soit recollée.

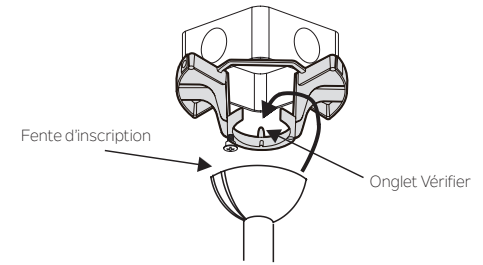


Fig. 10

INSTALLATION DU SUPPORT DE SÉCURITÉ (REQUIS POUR L'INSTALLATION CANADIENNE SEULEMENT)

Un câble de sécurité est fourni pour empêcher le ventilateur de plafond de tomber. Veuillez l'installer comme suit.

Étape 1. Fixez la vis à bois et les rondelles fournies à la solive de plafond à côté du support de montage, mais ne les serrez pas. (Fig. 11)

Étape 2. Ajustez la longueur du câble de sécurité pour atteindre la vis et les rondelles en tirant le câble supplémentaire à travers le serre-câble jusqu'à ce que la longueur totale soit correcte, remplacez l'extrémité du câble dans le serre-câble, formant une boucle à l'extrémité du câble. Serrez fermement le serre-câble. Maintenant, placez la boucle au bout du câble de sécurité sur la vis à bois et sous la rondelle. Serrez fermement la vis à bois.

REMARQUE: Bien que le câble d'appui de sécurité ne soit requis que pour les installations canadiennes. C'est une bonne idée de faire la pièce jointe avec n'importe quelle installation.

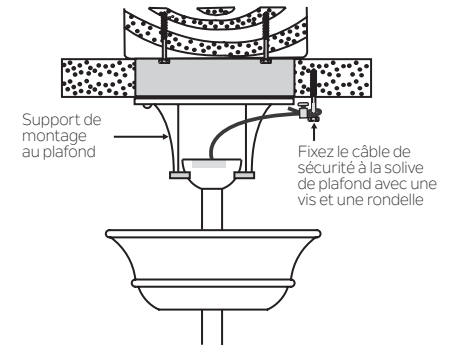


Fig. 11

CONNECTIONS ELECTRIQUES

ATTENTION: Pour éviter tout risque d'électrocution, assurez-vous que le panneau de commande principal est hors tension.

REMARQUE: Dans le transmetteur, réglez le commutateur DIP n° 5 sur la position D. Cela active la fonction d'atténuation.

REMARQUE: Le système de contrôle CoolTouch™ est équipé de 16 combinaisons de fréquences possibles pour éviter les interférences provenant ou avec d'autres unités de télécommande. Les commutateurs de fréquence de votre récepteur et de votre émetteur ont été préréglés en usine. Veuillez vérifier pour vous assurer que les commutateurs de l'émetteur et du récepteur sont réglés sur la même position. Toute combinaison de réglages fera fonctionner le ventilateur tant que l'émetteur et le récepteur sont réglés sur la même position. (Fig. 12)

Étape 1. Insérez le récepteur dans le support de montage au plafond avec le côté plat du récepteur face au plafond. (Fig. 13) Pour de meilleures performances, assurez-vous que l'antenne noire, située à l'extrémité du récepteur, reste étendue et ne soit pas emmêlée avec aucun des fils électriques.

Étape 2. Connexions électriques du moteur au récepteur: (Fig. 14) Connectez le fil noir du ventilateur au fil noir marqué "TO MOTOR L" sur le récepteur.

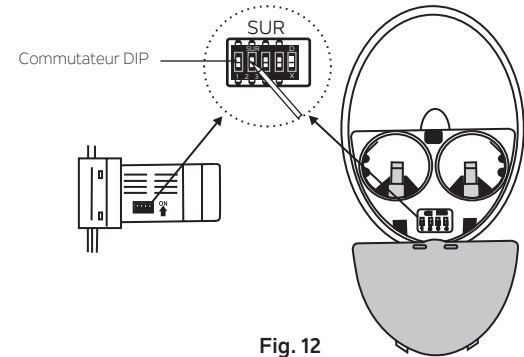


Fig. 12

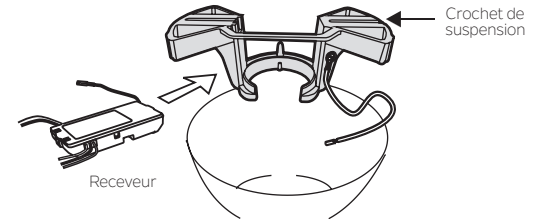


Fig. 13

CONNEXIONS ELECTRIQUES

Connectez le fil blanc du ventilateur au fil blanc "TO MOTOR N" du récepteur. Connectez le fil bleu du ventilateur au fil bleu marqué "FOR LIGHT" du récepteur. Fixez toutes les connexions avec les écrous en plastique fournis.

Étape 3. (Fig. 14) Câbles d'alimentation du récepteur à la maison: Connectez le fil noir (chaud) du plafond au fil noir marqué "AC in L" du récepteur. Connectez le fil blanc (neutre) du plafond au fil blanc marqué "AC in N" du récepteur. Fixez les connexions avec les écrous en plastique fournis.

Étape 4. (Fig. 14) Si votre prise de courant comporte un fil de terre (cuivre vert ou nu), connectez-le aux fils de terre du ventilateur; sinon connectez le fil de terre du support de suspension au support de montage. Fixez le fil de connexion avec un écrou en plastique fourni. Après avoir connecté les fils, écartez-les de manière à ce que les fils vert et blanc soient d'un côté du boîtier de prise et les fils noir et bleu à l'autre. Insérez délicatement les fils dans la boîte de sortie.

Remarque: Le ventilateur doit être installé à une distance maximale de 30 pieds de l'émetteur distant CoolTouch™ pour une transmission optimale du signal entre l'émetteur et l'unité de réception du ventilateur.

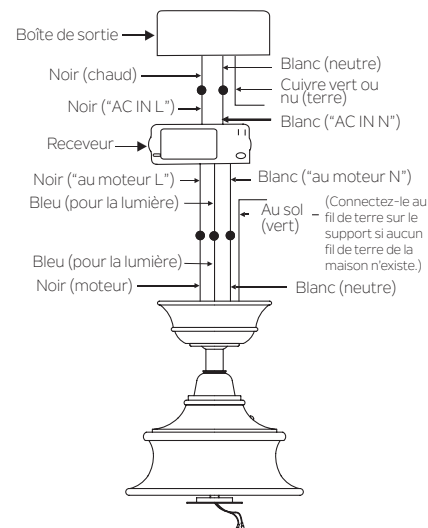


Fig. 14

FINITION DE L'INSTALLATION

Étape 1. Rentrez soigneusement toutes les connexions dans la boîte de sortie du plafond.

Étape 2. Faites glisser le baldaquin vers le haut sur le support de montage et placez l'une des fentes du trou de serrure sur la vis de montage du support de montage. Faites pivoter le baldaquin jusqu'à ce que la tête de la vis se verrouille en place dans la section étroite du trou de la clé. Voir la figure 15.

Étape 3. Alignez le trou circulaire restant sur le capot avec le trou restant sur le support de montage au plafond. Insérez et serrez la vis de montage que vous avez retirée précédemment et la vis de montage de l'étape 2 ci-dessus. Maintenant, fixez le couvercle de la marquise aux têtes de vis de montage en insérant les têtes de vis dans la partie inférieure du couvercle de la verrière et en faisant tourner le couvercle dans le sens des aiguilles d'une montre.

REMARQUE: Ajustez les vis du capot si nécessaire jusqu'à ce que le capot et son capot soient bien ajustés. (Fig. 15)

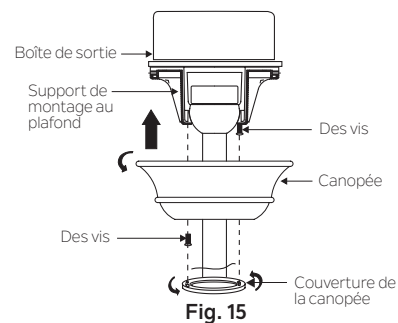


Fig. 15

FIXATION DES PALES DE VENTILATEUR

Étape 1. Fixez une lame sur un support de lame à l'aide des vis et des rondelles en caoutchouc fournies. (Fig.16)

Assurez-vous que la lame est droite lorsqu'elle est fixée sur le support de lame. Serrez chaque vis de montage, puis répétez cette procédure pour chaque lame.

Étape 2. Fixez chaque lame au moteur à l'aide des vis de montage "Préinstallées" dans le support de lame. (Fig 16)

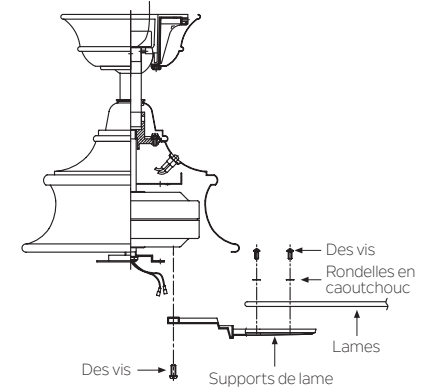


Fig. 16

INSTALLATION DE LA PLAQUE LUMINEUSE

Étape 1. Desserrez les deux vis sur la bague de montage fixée à l'arbre du moteur et "retirez" et conservez la troisième vis. (Fig. 17)

Étape 2. Placez les fentes pour les trous de serrure sur la plaque lumineuse au-dessus des deux vis précédemment desserrées sur la bague de montage.

Tournez la plaque d'éclairage jusqu'à ce qu'elle soit verrouillée dans la partie étroite des fentes du trou de serrure.

Serrez les deux vis du trou de serrure, remplacez la troisième vis retirée précédemment et serrez fermement.

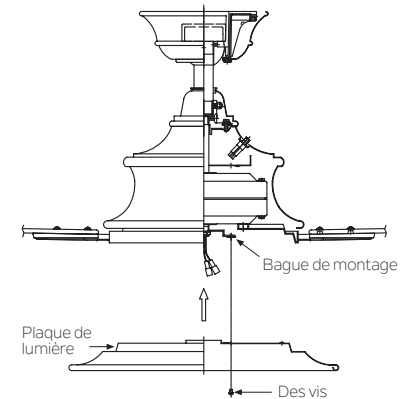


Fig. 17

INSTALLATION DE LA PLAQUETTE

REMARQUE: Avant de poursuivre l'installation, vérifiez que l'alimentation est toujours coupée au niveau du disjoncteur principal ou en retirant le fusible approprié. Mettre hors tension à l'aide d'un interrupteur mural n'est pas suffisant pour éviter les chocs électriques.

Étape 1. Desserrez les deux vis de montage à l'intérieur de la plaque d'éclairage, puis retirez et conservez la troisième vis.

Tenez le kit d'éclairage LED près de la plaque d'éclairage et connectez les fils blancs de la plaque de la prise et du ventilateur en poussant les connecteurs ensemble. Suivez la même procédure avec les connecteurs de fil noir. (Fig. 18)

Étape 2. Rentrez soigneusement les connexions dans la plaque lumineuse. Placez les trous de clé du kit d'éclairage LED sur les 2 vis précédemment desserrées de la plaque d'éclairage, tournez le kit d'éclairage jusqu'à ce qu'il se verrouille en place dans la section étroite des trous de clé. Fixez en serrant les trois vis. (Fig. 18)

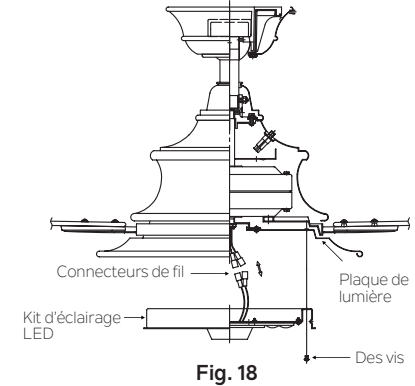


Fig. 18

INSTALLATION DES LAMPES ET DE L'OMBRE DE VERRE

Soulevez le verre de protection contre le kit d'éclairage LED et tournez-le dans le sens des aiguilles d'une montre jusqu'à ce qu'il soit bien ajusté. NE SERREZ PAS TROP FORT. (Fig. 19)

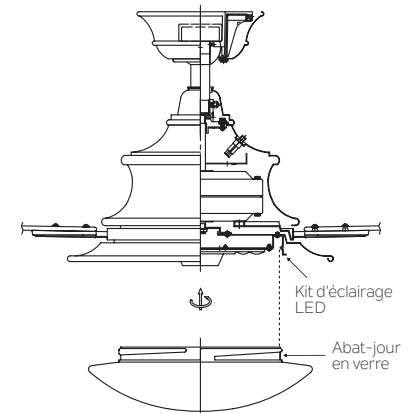


Fig. 19

13. INSTALLER LES PILES

Retirez le couvercle du compartiment des piles à l'arrière de l'émetteur CoolTouch™ et insérez les deux piles fournies. Assurez-vous que le signe + est dirigé vers le haut.

Faites attention pendant cette procédure. NE PAS déplacer les commutateurs DIP de fréquence à l'intérieur de ce compartiment. Les paramètres DOIVENT rester les mêmes que ceux du récepteur pour que la communication avec le système de contrôle soit correcte.

C'est une bonne idée de retirer ces piles si votre ventilateur n'est pas utilisé pendant une période prolongée (mois).

REMARQUE: Assurez-vous que le commutateur DIP n° 5 est réglé sur la position D. Cela active la fonction d'atténuation.

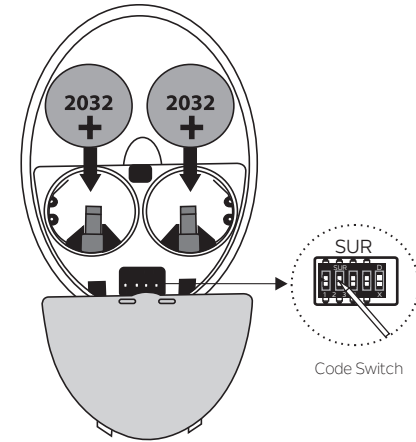


Fig. 20

14. MODE D'EMPLOI

Rétablissez l'alimentation du ventilateur de plafond et vérifiez son bon fonctionnement.

A. Boutons ○, ○○ et ○○○:

Ces trois boutons permettent de régler la vitesse du ventilateur comme suit:


○○○ = Haute vitesse

○○ = Vitesse moyenne

○ = Basse vitesse

B. Bouton :

Ce bouton éteint le ventilateur.

C. Le bouton : allume / éteint le luminaire ou contrôle la variation de luminosité. Appuyez et relâchez pour activer ou désactiver. Appuyez et maintenez pour une atténuation de la plage complète.

REMARQUE: Comme indiqué ci-dessus, la fonction d'atténuation de la lumière sur cette commande est activée en maintenant enfoncé le bouton d'éclairage et en le relâchant au niveau de luminosité souhaité.

Ce système de contrôle n'est PAS conçu pour "inverser" la rotation des pales. Pour régler les pales du ventilateur en marche arrière, l'interrupteur à glissière arrière est situé en haut du boîtier du moteur. Voir Fig. 22

Ne pas actionner l'inverseur lorsque les pales du ventilateur sont en mouvement. Le ventilateur doit être éteint et les pales arrêtées avant d'inverser le sens de rotation des pales.

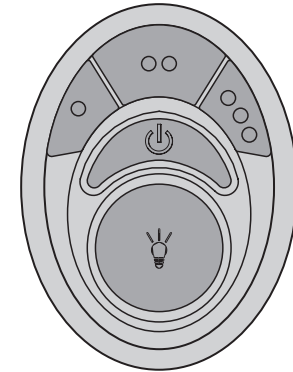


Fig. 21

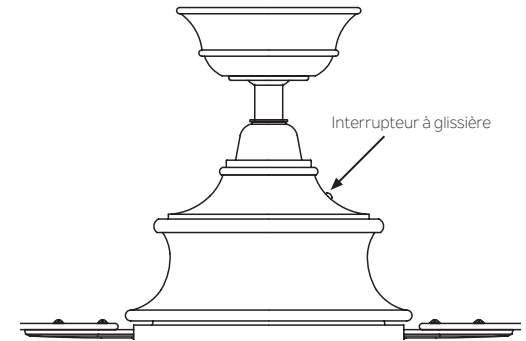


Fig. 22

INSTRUCTIONS D'UTILISATION

Les réglages de vitesse par temps chaud ou froid dépendent de facteurs tels que la taille de la pièce. Hauteur du plafond, nombre de ventilateurs, etc.

Opération par temps chaud: Forward (sens antihoraire) Un flux d'air vers le bas crée un effet de refroidissement, comme illustré à la Fig. 23. Cela vous permet de régler votre climatiseur sur un réglage plus chaud sans nuire à votre confort général.

Fonctionnement par temps frais: Inverser (dans le sens des aiguilles d'une montre). Un flux d'air ascendant évacue l'air chaud des zones du plafond, comme illustré à la Fig. 24. Cela vous permet de régler votre appareil de chauffage sur un réglage plus froid sans affecter votre confort général.

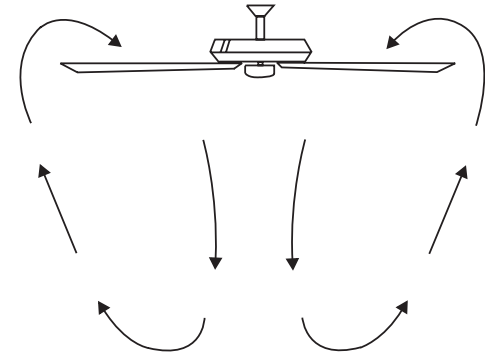


Fig. 23

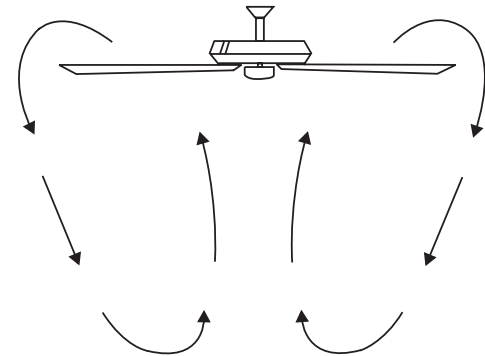


Fig. 24

INSTALLATION DE LA PLAQUE MURALE DU SYSTÈME DE COMMANDE COOLTOUCH™

REMARQUE: Tout le câblage doit être conforme au code électrique national et aux codes électriques locaux. L'installation électrique doit être effectuée par un électricien qualifié et agréé.

Sélectionnez un emplacement pour installer votre émetteur de système de contrôle CoolTouch™. Vous pouvez remplacer un interrupteur mural existant ou installer l'émetteur sur TOUTE surface plane.

Option 1: Installez le système de contrôle à l'aide d'un boîtier de sortie d'interrupteur mural existant. Assurez-vous que le panneau principal est éteint avant de continuer.

REMARQUE: L'installation du commutateur doit être conforme à tous les codes électriques locaux et nationaux.

Étape 1. Retirez la plaque murale existante et l'ancien interrupteur de la prise murale. Filez les fils NOIR (chauds) ensemble et repoussez-les à l'intérieur du boîtier de sortie. (Fig. 25)

Étape 2. Installez la plaque métallique et la plaque murale CoolTouch™ sur la prise murale existante à l'aide des 4 vis fournies. Placez ensuite les deux bouchons en plastique dans la plaque murale. (Fig. 26)

Option 2: Installez le système de contrôle sur N'IMPORTE QUELLE surface plane.

Sélectionnez l'emplacement souhaité et utilisez la plaque murale CoolTouch™ pour marquer l'emplacement des trous de montage. Utilisez les ancrages pour mur sec et / ou les vis fournies et terminez l'installation.

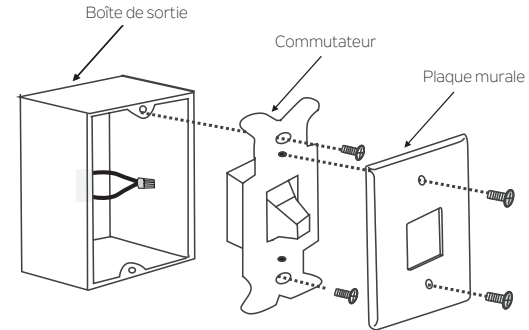


Fig. 25

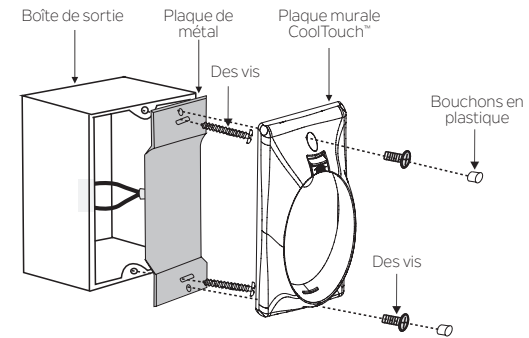


Fig. 26

INSTALLATION DE L'ÉMETTEUR

1. Insérez l'émetteur dans la plaque murale en insérant d'abord le bas de l'émetteur, puis appuyez sur le haut de l'émetteur dans la poche. L'émetteur fonctionnera pleinement à partir de cet emplacement ou vous pourrez le retirer et l'utiliser comme appareil «portable».
2. Pour retirer l'émetteur de la plaque murale, appuyez sur le bouton de déverrouillage et l'émetteur tombera dans votre main.

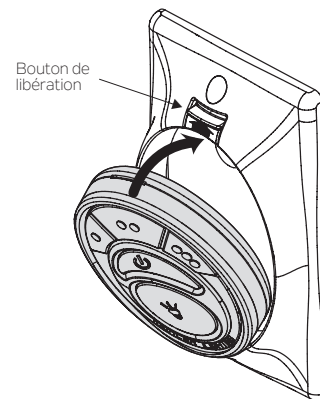


Fig. 27

DÉPANNAGE

Problème

Solution

Le ventilateur ne démarre pas.

1. Vérifiez les fusibles ou les disjoncteurs du circuit.
2. Vérifiez toutes les connexions électriques pour assurer un contact correct.
MISE EN GARDE: Assurez-vous que l'alimentation principale est éteinte lors de la vérification de toute connexion électrique.
3. Assurez-vous que les piles de l'émetteur sont correctement installées. Côté positif (+) tourné vers l'extérieur.
4. Assurez-vous que les batteries sont bien chargées.

Le ventilateur semble bruyant.

1. Assurez-vous que toutes les vis du logement du moteur sont bien ajustées.
2. Assurez-vous que les vis qui fixent les supports de pales du ventilateur au moteur sont bien serrées.
3. Assurez-vous que les connexions de fil-écrou ne frottent pas les unes contre les autres ou avec la paroi intérieure du boîtier de l'interrupteur. **MISE EN GARDE:** Assurez-vous que l'alimentation principale est éteinte.
4. Prévoyez une période de «rodage» de 24 heures. La plupart des bruits associés à un nouveau ventilateur disparaissent pendant ce temps.
5. Si vous utilisez un kit d'éclairage en option, assurez-vous que les vis qui fixent la verrerie sont bien serrées. Assurez-vous que les ampoules ne touchent aucun autre composant.
6. Ne connectez pas ce ventilateur à un ou plusieurs contrôleurs de vitesse variables montés au mur. Ils ne sont pas compatibles avec les moteurs de ventilateur de plafond ou les télécommandes.
7. Assurez-vous que la canopée supérieure est à une courte distance du plafond. Il ne faut pas toucher le plafond.

DÉPANNAGE

Problème

Solution

Le ventilateur vacille.

1. Vérifiez que toutes les vis de lame et de bras de lame sont bien serrées.
2. La plupart des problèmes de vacillement des ventilateurs sont causés lorsque les niveaux de pales sont inégaux. Vérifiez ce niveau en sélectionnant un point du plafond au-dessus de la pointe de l'une des pales. Mesurer cette distance. Faites tourner le ventilateur jusqu'à ce que la lame suivante soit positionnée pour la mesure. Répétez pour chaque lame. L'écart de distance doit être égal à 1/8".
3. Utilisez le kit d'équilibrage de lame fourni si le vacillement de la lame est toujours perceptible.
4. Si le vacillement de la lame est toujours visible, interchanger deux lames adjacentes (côte à côte) peut redistribuer le poids et éventuellement rendre le fonctionnement plus lisse.

Dysfonctionnement de la télécommande.

1. Les ventilateurs de plafond avec systèmes de commande à distance NE PEUVENT PAS être utilisés avec tout autre système de commande SAUF un interrupteur mural On / Off de base, si nécessaire.
2. Assurez-vous que les commutateurs DIP de fréquence de l'émetteur et du récepteur ont des réglages identiques.
3. Assurez-vous que l'antenne noire sur le récepteur n'est PAS emmêlée avec d'autres fils électriques et s'étend sur l'intérieur du plafond du plafond.

CARACTÉRISTIQUES

Taille du ventilateur	La vitesse	Volts	Amplis	Watts	RPM	CFM	CFM/W	NW	GW	CF
52"	Haute	120	0.50	60.50	148	5375.09	88.84	11.15 kg	12.83 kg	2.73'
	Moyen	120	0.42	30.70	105	3670.64	119.56			
	Faible	120	0.26	9.70	48	1683.75	173.58			

Ce sont des mesures approximatives. Ils ne comprennent pas les données pour les lampes ou les luminaires fixés au ventilateur de plafond.

FCC INFORMATION

Cet appareil est conforme à la section 15 de la réglementation de la FCC. L'exploitation est soumise aux deux conditions suivantes :

- 1) Cet équipement ne doit pas causer d'interférences nuisibles, et
- 2) Cet équipement doit accepter toute interférence reçue, y compris les interférences risquant d'engendrer un fonctionnement indésirable.

Remarque: Des tests ont confirmé que ce matériel respecte les limites d'un dispositif numérique de catégorie B, en vertu de la section 15 de la réglementation de la FCC. Ces limites ont été conçues pour fournir une protection raisonnable contre le brouillage nuisible d'une installation résidentielle. Cet équipement génère, utilise et peut rayonner de l'énergie radiofréquence et, s'il n'est pas installé et utilisé selon les instructions, peut causer de l'interférence nuisible aux communications de radio. Cependant, il est néanmoins possible qu'il y ait de l'interférence dans une installation en particulier. Si cet équipement cause du brouillage nuisible à la réception du signal de radio ou de télévision, ce qui peut être déterminé en éteignant puis en rallumant l'appareil, l'utilisateur peut essayer de corriger l'interférence en appliquant une des mesures suivantes :

- Réorienter l'antenne de réception ou changer son emplacement.
- Augmenter la distance séparant l'équipement et le récepteur.
- Brancher le matériel dans la prise de courant d'un circuit différent de celui auquel le récepteur est branché.
- Consulter le revendeur ou un technicien radio/télé d'expérience.

KICHLER®

KICHLER® LIGHTING

7711 EAST PLEASANT VALLEY ROAD, P.O. BOX 318010

CLEVELAND, OHIO 44131-8010

CSERVICE À LA CLIENTÈLE 866.558.5706

De 08h30 à 17h (heure normale de l'Est), du lundi au vendredi

KICHLER®

Cameron™

Las imágenes del producto pueden variar levemente respecto del producto real.



MANUAL DE INSTRUCCIONES

ÍNDICE

REGLAS DE SEGURIDAD	4	INSTALANDO LA PLACA DE ENCHUFE	14
HERRAMIENTAS Y MATERIALES REQUERIDOS ..	5	INSTALANDO LAS LAMPARAS Y LA SOMBRA DE VIDRIO	14
CONTENIDOS DEL PAQUETE	5	INSTALANDO LAS BATERÍAS.....	15
OPCIONES DE MONTAJE.....	6	INSTRUCCIONES DE OPERACIÓN.....	16-17
CÓMO COLGAR EL VENTILADOR.....	7-9	INSTALACIÓN DE LA PLACA DE PARED DEL SISTEMA DE CONTROL COOLTOUCH™	18
INSTALACIÓN DE SOPORTE DE SEGURIDAD....	10	INSTALANDO EL TRANSMISOR.....	19
CONEXIONES ELÉCTRICAS.....	11-12	SOLUCIÓN DE PROBLEMAS.....	20-21
ACABADO DE LA INSTALACIÓN	12	ESPECIFICACIONES.....	21
COLOCACIÓN DE LAS HOJAS DEL VENTILADOR.....	13	INFORMACIÓN DE LA FCC.....	22
INSTALANDO LA PLACA DE LUZ	13		

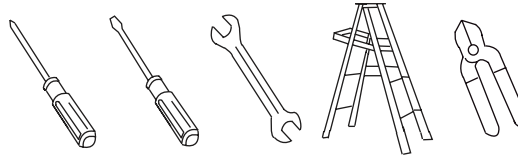
REGLAS DE SEGURIDAD

1. Para reducir el riesgo de descarga eléctrica, asegúrese de que se haya apagado la electricidad en el disyuntor o en la caja de fusibles antes de comenzar.
 2. Todo el cableado debe estar de acuerdo con el Código Eléctrico Nacional y los códigos eléctricos locales. La instalación eléctrica debe ser realizada por un electricista calificado y con licencia.
 3. **ADVERTENCIA:** Para reducir el riesgo de incendio, descarga eléctrica o lesiones personales, use los tornillos de montaje provistos con la caja de salida. La mayoría de las cajas de salida comúnmente utilizadas para el soporte de las lámparas no son aceptables para el soporte del ventilador y pueden necesitar ser reemplazadas. Debido a la complejidad de la instalación de este ventilador, se recomienda encarecidamente a un electricista calificado.
 4. La caja de salida y la estructura de soporte deben estar montadas de manera segura y ser capaces de soportar de manera confiable un mínimo de 50 libras. Use solo las cajas de salida listadas por CUL marcadas "PARA APOYO DEL VENTILADOR".
- ADVERTENCIA**
PARA REDUCIR EL RIESGO DE INCENDIO, DESCARGA ELÉCTRICA O LESIONES PERSONALES, MONTE EL VENTILADOR EN LA CAJA DE MARCAS MARCADA "ACEPTABLE PARA APOYO DEL VENTILADOR".
5. El ventilador debe montarse con un espacio mínimo de 7 pies desde el borde posterior de las aspas hasta el piso.
 6. No accione el comando para revertir el sentido de las aspas mientras el ventilador está en movimiento. El ventilador debe estar apagado y las aspas quietas antes de revertir la dirección de las aspas.
 7. Evite colocar objetos en el camino de las cuchillas.
 8. Para evitar lesiones personales o daños al ventilador y otros elementos, tenga cuidado al trabajar o limpiar el ventilador.
 9. No use agua ni detergentes al limpiar el ventilador o las aspas del ventilador. Un paño seco para polvo o un paño ligeramente humedecido será adecuado para la mayoría de las limpiezas.
 10. Después de hacer las conexiones eléctricas, los conductores empalmados deben girarse hacia arriba y empujarse con cuidado hacia la caja de salida. Los cables deben separarse con el cable de tierra y el cable blanco (común) a un lado con el cable negro (carga) al otro lado de la caja de salida.
 11. Los diagramas eléctricos son solo de referencia. Los kits de luces que no están empacados con el ventilador deben estar en la lista CUL y marcados como adecuados para usar con el modelo de ventilador que está instalando. Los interruptores deben ser interruptores de uso general CUL. Consulte las Instrucciones incluidas con los kits de luz y los interruptores para un montaje adecuado.
- ADVERTENCIA**
PARA REDUCIR EL RIESGO DE LESIONES PERSONALES, NO DOBLE LOS SOPORTES DE LA HOJA (TAMBIÉN SE REFIEREN COMO BRIDAS) DURANTE EL MONTAJE O DESPUÉS DE LA INSTALACIÓN. NO INSERTE OBJETOS EN EL CAMINO DE LAS HOJAS.
- Aviso especial**

Este aparato está equipado con un "Dispositivo de limitación de potencia" requerido por el Departamento de Energía de los Estados Unidos. El dispositivo se instaló en la fábrica y no se puede quitar. La instalación de lámparas de más de 75 vatios totales deshabilitará la lámpara de la unidad. Si esto sucede, deberá reiniciar el dispositivo de iluminación apagando el ventilador de techo y / o el dispositivo de iluminación, reinstalando las lámparas con un total de menos de 75 vatios y luego volviendo a encenderlo.

HERRAMIENTAS Y MATERIALES REQUERIDOS

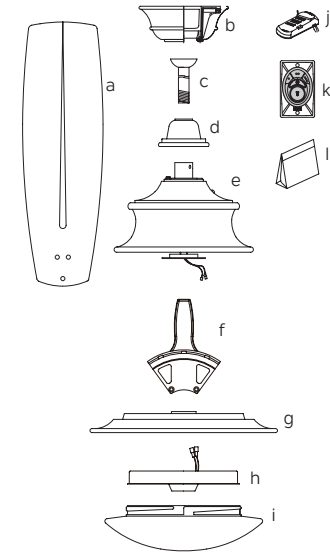
- Destornillador Philips
- Destornillador de cuchilla
- Llave de 11 mm
- Escalera de mano
- Cortadores de alambre



CONTENIDOS DEL PAQUETE

Desembale su ventilador y verifique el contenido. Debe tener los siguientes elementos:

- A. Aspas del ventilador (5)
- B. Soporte de techo y techo
- C. Conjunto de bola / varilla
- D. Cubierta de acoplamiento
- E. Ensamblaje del motor del ventilador
- F. Conjunto de 5 soportes de cuchillas y tornillos de montaje preinstalados
- G. Placa de luz
- H. Kit de luz LED de 23 W
- I. Pantalla de vidrio
- J. Receptor CoolTouch™
- K. Sistema de control de funciones básicas CoolTouch™
- L. Contenido de la bolsa de parte
 - 1) Hardware de montaje: tornillos para madera (2), arandelas planas (2), arandelas de estrella (2), tuercas de alambre (3), tornillos (2)
 - 2) Hardware de fijación de la cuchilla: tornillos (17), arandelas de goma (17)
 - 3) Hardware de fijación del soporte de la cuchilla: tornillos (2)
 - 4) Hardware de cable de seguridad: tornillo de madera, arandela de resorte, arandela plana
 - 5) Kit de equilibrio



OPCIONES DE MONTAJE

Si no hay una caja de montaje listada UL (cUL para instalación canadiense), lea las siguientes instrucciones. Desconecte la energía quitando los fusibles o apagando los disyuntores.

Asegure la caja de salida directamente a la estructura del edificio. Use sujetadores y materiales de construcción apropiados. La caja de salida y su soporte deben ser capaces de soportar completamente el peso en movimiento del ventilador (al menos 50 lb). No utilice cajas de salida de plástico.

Las figuras 1, 2 y 3 son ejemplos de diferentes formas de montar la caja de salida.

NOTA: Si está instalando el ventilador de techo en un techo inclinado (abovedado), es posible que necesite una varilla más larga para mantener una separación adecuada entre la punta de la pala y el techo. Se sugiere un espacio libre mínimo de 12 "para una operación óptima.

NOTA: Dependiendo de la ubicación que haya seleccionado para la instalación, es posible que deba comprar e instalar un "Joist Hanger" para el soporte de la caja de salida. Asegúrese de que el soporte de la viga que compre haya sido diseñado para usarse con ventiladores de techo. (Fig. 4)

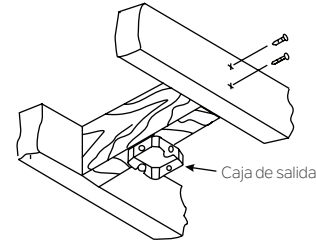


Fig. 1

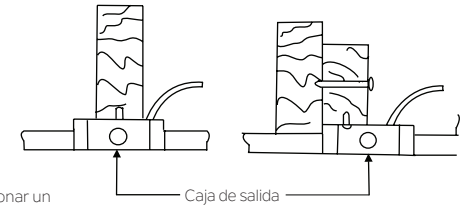


Fig. 2

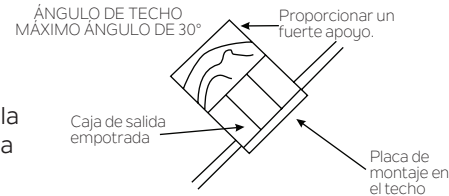


Fig. 3

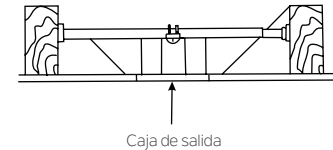


Fig. 4

CÓMO COLGAR EL VENTILADOR

RECUERDE apagar la alimentación antes de comenzar. Para instalar correctamente su ventilador de techo, siga los pasos a continuación.

Paso 1. Retire la cubierta inferior de la cubierta decorativa de la cubierta girando la cubierta hacia la izquierda. (Fig. 5)

Paso 2. Retire el soporte de montaje del techo de la cubierta quitando (y guarde) uno de los dos tornillos. Afloje el tornillo restante media vuelta. (Fig. 5)

Paso 3. Pase los cables de suministro de 120 voltios desde la caja de salida del techo a través del centro del soporte de montaje en el techo. (Fig.6)

Paso 4. Fije el soporte de montaje en el techo a la caja de salida con los tornillos y arandelas incluidos con la caja de salida. (Fig. 6)

Paso 5. Retire la bola de suspensión del conjunto de la varilla aflojando el tornillo de fijación, retirando el pasador transversal y deslizando la bola fuera de la varilla. (Fig. 7)

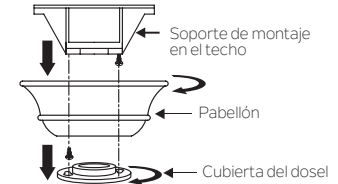


Fig. 5

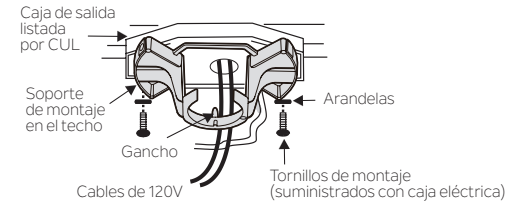


Fig. 6

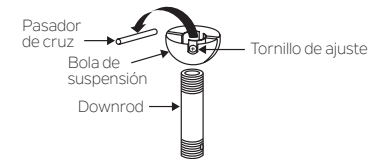


Fig. 7

Paso 6. Afloje los dos tornillos de fijación y retire el pasador de enganche y el clip de retención del acoplamiento en la parte superior del conjunto del motor. (Fig. 8)

Paso 7. Alimente cuidadosamente los cables conductores eléctricos desde el ventilador a través de la varilla. Enrosque la varilla en el acoplamiento hasta que los orificios del pasador de enganche estén alineados.

Luego, reemplace el pasador de enganche y el clip de retención. Apriete ambos tornillos de fijación. (Fig. 8)

Paso 8. Deslice la cubierta de acoplamiento, la cubierta de la cubierta y la cubierta sobre la varilla.

Enrosque la bola de suspensión en la varilla, inserte el pasador transversal a través de la varilla y apriete. Ahora apriete el tornillo de fijación. (Fig. 9)

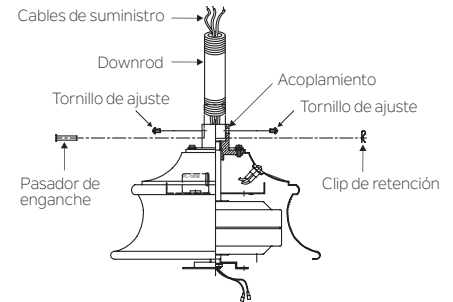


Fig. 8

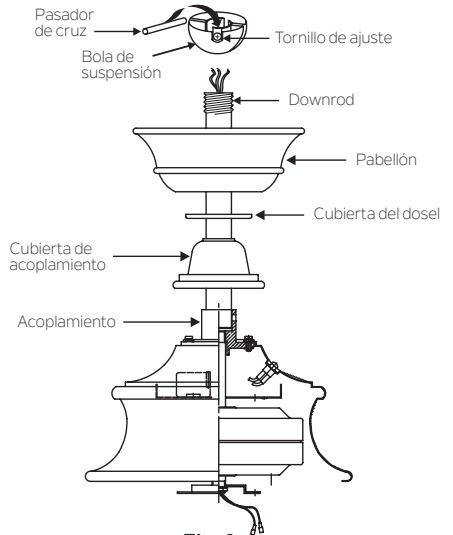


Fig. 9

CÓMO COLGAR EL VENTILADOR

Paso 9. Levante el conjunto del motor a su posición y coloque la bola de suspensión en el soporte de montaje en el techo.

Gire todo el conjunto hasta que la “pestaña de verificación” haya caído en la “ranura de registro” y se asiente firmemente. (Fig. 10)

Todo el conjunto del motor no debe girar (izquierda o derecha) cuando se asienta correctamente.

ADVERTENCIA: Si no vuelve a colocar el pasador transversal y se asienta la “pestaña de verificación”, el ventilador puede caerse del techo durante el funcionamiento. Tenga especial cuidado para asegurarse de que este pin se vuelva a colocar.

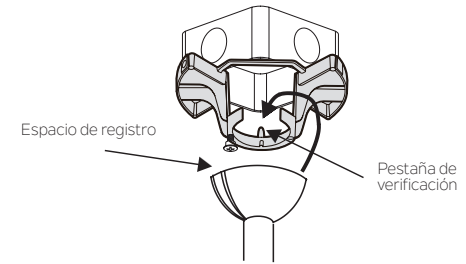


Fig. 10

INSTALACIÓN DE SOPORTE DE SEGURIDAD (SOLO PARA INSTALACIÓN CANADIENSE)

Se proporciona un cable de soporte de seguridad para ayudar a evitar que el ventilador de techo se caiga, instálelo de la siguiente manera.

Paso 1. Fije el tornillo de madera y las arandelas provistos a la viga del techo junto al soporte de montaje, pero no apriete. (Fig. 11)

Paso 2. Ajuste la longitud del cable de seguridad para alcanzar el tornillo y las arandelas tirando del cable adicional a través de la abrazadera del cable hasta que la longitud total sea correcta, coloque el extremo del cable nuevamente a través de la abrazadera del cable, formando un bucle en el extremo del cable. Apriete bien la abrazadera del cable. Ahora, coloque el lazo al final del cable de seguridad sobre el tornillo de madera y debajo de la arandela. Apriete bien el tornillo de madera.

NOTA: Aunque el cable de soporte de seguridad se requiere solo para instalaciones canadienses. Es una buena idea hacer el archivo adjunto con cualquier instalación.

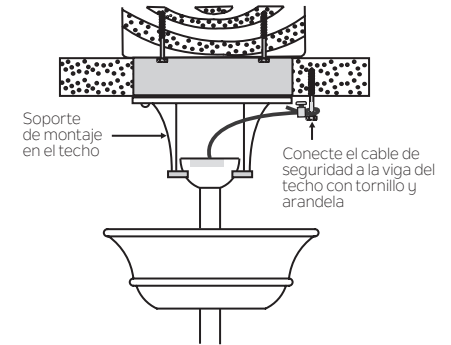


Fig. 11

CONEXIONES ELÉCTRICAS

ADVERTENCIA: Para evitar una posible descarga eléctrica, asegúrese de haber apagado la alimentación en el panel del circuito principal.

NOTA: En el transmisor, coloque el interruptor DIP # 5 en la posición D. Esto activa la función de atenuación.

NOTA: El sistema de control CoolTouch™ está equipado con 16 combinaciones de frecuencia posibles para evitar interferencias de o con otras unidades de control remoto. Los interruptores de frecuencia en su receptor y transmisor han sido preajustados en fábrica. Vuelva a verificar para asegurarse de que los interruptores del transmisor y el receptor estén en la misma posición, cualquier combinación de configuraciones hará funcionar el ventilador siempre que el transmisor y el receptor estén en la misma posición. (Fig. 12)

Paso 1. Inserte el receptor en el soporte de montaje del techo con el lado plano del receptor hacia el techo. (Fig. 13) Para un mejor rendimiento, asegúrese de que la Antena Negra, en el extremo del receptor, permanezca extendida y sin enredarse con ninguno de los cables eléctricos.

Paso 2. Conexiones eléctricas del motor al receptor: (Fig. 14) Conecte el cable negro del ventilador al cable negro marcado "TO MOTOR L" en el receptor.

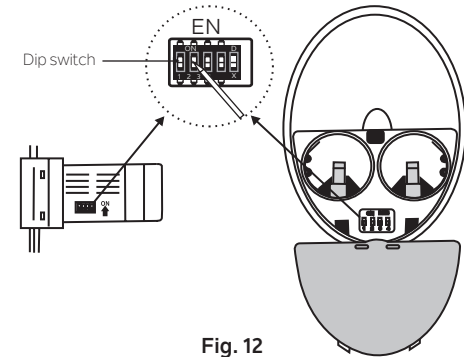


Fig. 12

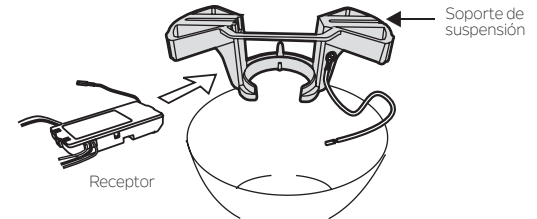


Fig. 13

CONEXIONES ELÉCTRICAS

Conecte el cable blanco del ventilador al cable blanco marcado "TO MOTOR N" del receptor. Conecte el cable azul del ventilador al cable azul marcado "PARA LA LUZ" del receptor. Asegure todas las conexiones de cables con las tuercas para cables de plástico provistas.

Paso 3. (Fig. 14) Receptor para cables de suministro de la casa Conexiones eléctricas: Conecte el cable negro (caliente) del techo al cable negro marcado "AC in L" del receptor. Conecte el cable blanco (neutro) desde el techo al cable blanco marcado "AC in N" desde el receptor. Asegure las conexiones de los cables con las tuercas para cables de plástico provistas.

Paso 4. (Fig. 14) Si su caja de salida tiene un cable a tierra (verde o cobre desnudo) conéctelo a los cables a tierra del ventilador; de lo contrario, conecte el cable de tierra del soporte colgante al soporte de montaje. Asegure la conexión del cable con una tuerca de plástico provista. Después de conectar los cables, sepárelos para que los cables verde y blanco estén a un lado de la caja de salida y los cables negro y azul al otro lado. Cuidadosamente meta las conexiones de los cables en la caja de salida.

Nota: El ventilador debe instalarse a una distancia máxima de 30 pies del transmisor remoto CoolTouch™ para una transmisión de señal óptima entre el transmisor y la unidad receptora del ventilador.

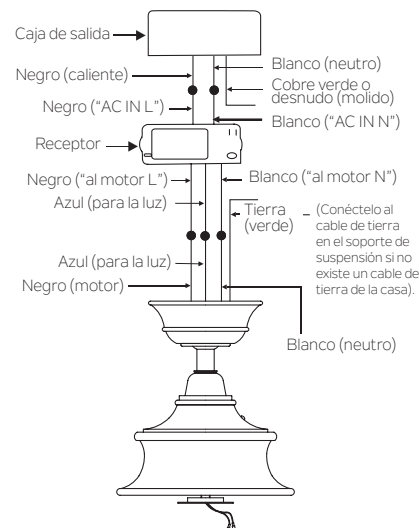


Fig. 14

ACABADO DE LA INSTALACIÓN

Paso 1. Meta todas las conexiones perfectamente en la caja de salida del techo.

Paso 2. Deslice el dosel hacia arriba hasta el soporte de montaje y coloque una de las ranuras para agujeros de llave sobre el tornillo de montaje en el soporte de montaje. Gire el dosel hasta que la cabeza del tornillo encaje en su lugar en la sección estrecha del orificio de la llave. Ver figura 15.

Paso 3. Alinee el orificio circular restante en el dosel con el orificio restante en el soporte de montaje en el techo. Inserte y apriete el tornillo de montaje que retiró anteriormente y el tornillo de montaje del Paso 2 anterior. Ahora, fije la cubierta del dosel a las cabezas de los tornillos de montaje insertando las cabezas de los tornillos en el lado inferior de la cubierta del dosel y girando la cubierta en el sentido de las agujas del reloj.

NOTA: Ajuste los tornillos de la cubierta según sea necesario hasta que la cubierta y la cubierta de la cubierta estén ajustadas. (Fig. 15)

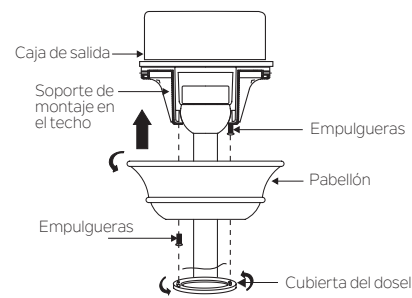


Fig. 15

COLOCACIÓN DE LAS HOJAS DEL VENTILADOR

Paso 1. Fije una cuchilla a un soporte de cuchilla con los tornillos y arandelas de goma provistos. (Fig.16)

Asegúrese de que la cuchilla esté recta cuando la coloque en el soporte de la cuchilla. Apriete cada tornillo de montaje y luego repita este procedimiento para cada cuchilla.

Paso 2. Conecte cada conjunto de cuchillas al motor utilizando los tornillos de montaje “preinstalados” en el soporte de la cuchilla. (Fig. 16)

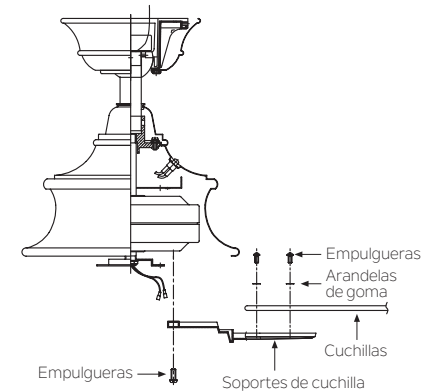


Fig. 16

INSTALANDO LA PLACA DE LUZ

Paso 1. Afloje los dos tornillos en el anillo de montaje unido al eje del motor y “retire” y guarde el tercer tornillo. (Fig. 17)

Paso 2. Coloque las ranuras para los orificios de la llave en la placa de luz sobre los dos tornillos previamente aflojados en el anillo de montaje.

Gire la placa de luz hasta que quede fija en su lugar en la sección estrecha de las ranuras para agujeros de llave.

Apriete los dos tornillos del orificio de la llave y vuelva a colocar el tercer tornillo que retiró anteriormente y apriete firmemente.

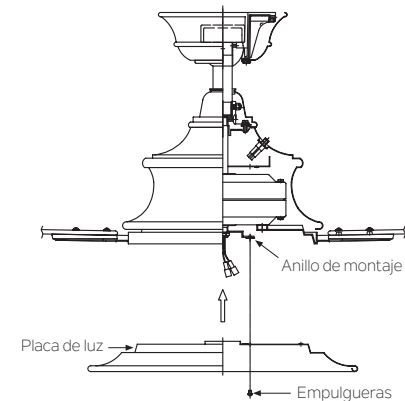


Fig. 17

INSTALANDO LA PLACA DE ENCHUFE

NOTA: Antes de continuar con la instalación, confirme que la alimentación todavía está apagada en el disyuntor principal o quitando el fusible correcto. Apagar la alimentación con un interruptor de pared no es suficiente para evitar descargas eléctricas.

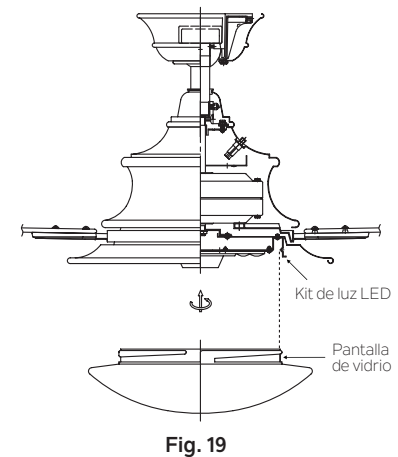
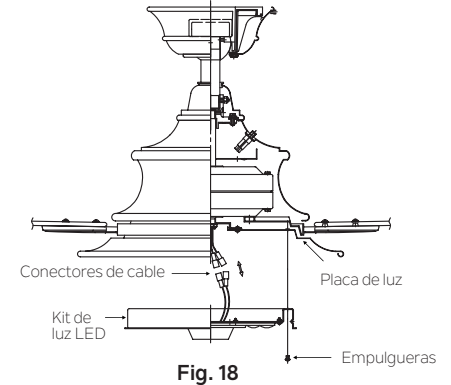
Paso 1. Afloje los dos tornillos de montaje en el interior de la placa de luz, luego retire y guarde el tercer tornillo.

Mantenga el kit de luz LED cerca de la placa de luz y conecte los cables blancos de la placa de enchufe y el ventilador presionando los conectores. Siga el mismo procedimiento con los conectores de cable negro. (Fig. 18)

Paso 2. Meta las conexiones cuidadosamente en la placa de luz. Coloque los orificios de la llave en el kit de luz LED sobre los 2 tornillos previamente aflojados de la placa de luz, gire el kit de luz LED hasta que encaje en su lugar en la sección estrecha de los orificios de la llave. Asegure apretando los tres tornillos. (Fig. 18)

INSTALANDO LAS LAMPARAS Y LA SOMBRA DE VIDRIO

Levante la pantalla de vidrio contra el kit de luz LED y gire en el sentido de las agujas del reloj hasta que quede ajustado. NO LO APRIETE DEMASIADO. (Fig. 19)



INSTALANDO LAS BATERÍAS

Retire la tapa del compartimento de la batería en la parte posterior del transmisor CoolTouch™ e inserte ambas baterías provistas. Asegúrese de que el signo + esté hacia arriba.

Tenga cuidado durante este procedimiento para NO mover los interruptores DIP de frecuencia dentro de este compartimiento. La configuración DEBE permanecer igual que la configuración en el receptor para una comunicación adecuada con el sistema de control.

Es una buena idea quitar estas baterías si su ventilador no se usa durante largos periodos de tiempo (meses).

NOTA: Asegúrese de que el interruptor DIP # 5 esté en la posición D. Esto permite la función de atenuación.

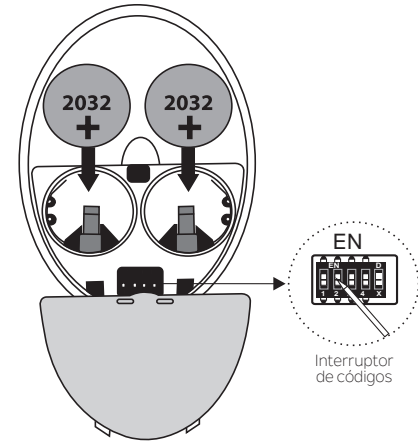


Fig. 20

INSTRUCCIONES DE OPERACIÓN

Restablezca la energía del ventilador de techo y pruebe que funcione correctamente.


A. Botones **O**, **OO**, y **OOO**:

These three buttons are used to set the fan speed as follows:


OOO = Alta velocidad

OO = Velocidad media

O = Baja velocidad

B.  botón:

Este botón apaga el ventilador.

C. El botón "": enciende / apaga la lámpara o controla la atenuación. Presione y suelte para Encendido o Apagado, presione y **MANTENGA PRESIONADO** para oscurecer el rango completo.

NOTA: Como se indicó anteriormente, la función de atenuación de la luz en este control se opera manteniendo presionado el botón de luz y soltándolo al nivel de brillo deseado.

Este sistema de control **NO** está diseñado para "invertir" la rotación de las cuchillas. Para colocar las aspas del ventilador en reversa, el interruptor deslizante de reversa se encuentra en la parte superior de la carcasa del motor. Ver Fig. 22

No accione el comando para revertir el sentido de las aspas mientras el ventilador está en movimiento. El ventilador debe estar apagado y las aspas quietas antes de revertir la dirección de las aspas.

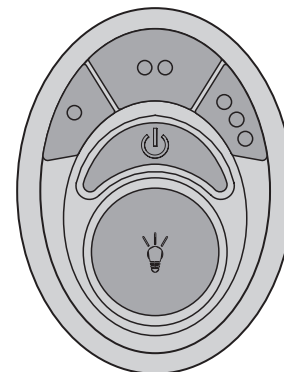


Fig. 21

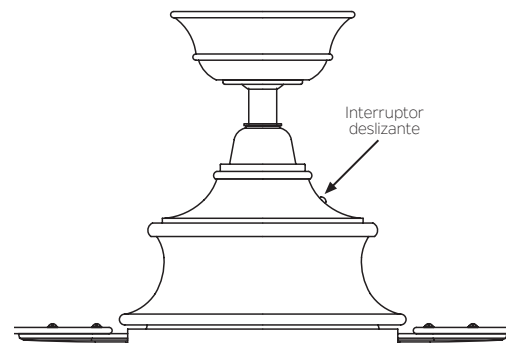


Fig. 22

INSTRUCCIONES DE OPERACIÓN

Los ajustes de velocidad para clima cálido o frío dependen de factores como el tamaño de la habitación. Altura del techo, número de ventiladores, etc.

Operación en clima cálido: Hacia adelante (en sentido antihorario)
Un flujo de aire hacia abajo crea un efecto de enfriamiento como se muestra en la Fig.23. Esto le permite configurar su aire acondicionado en un ambiente más cálido sin afectar su comodidad general.

Operación en clima frío: Invertir (en sentido horario). Un flujo de aire ascendente mueve el aire caliente de las áreas del techo como se muestra en la figura 24. Esto le permite configurar su unidad de calefacción en una configuración más fresca sin afectar su comodidad general.

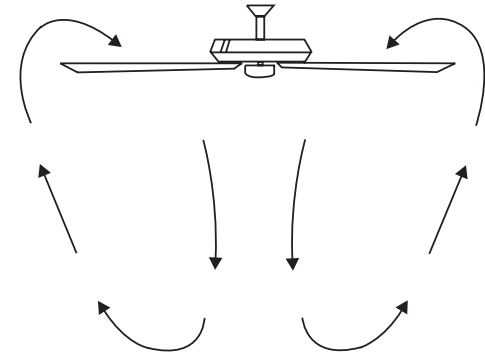


Fig. 23

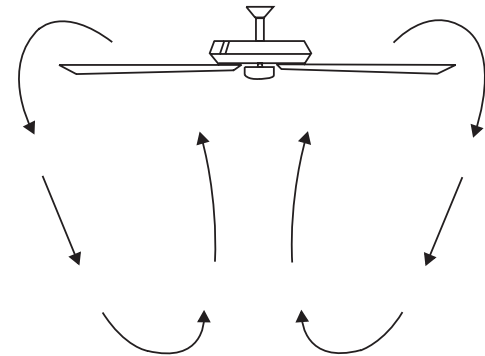


Fig. 24

INSTALACIÓN DE LA PLACA DE PARED DEL SISTEMA DE CONTROL COOLTOUCH™

NOTA: Todo el cableado debe estar de acuerdo con el Código Eléctrico Nacional y los códigos eléctricos locales. La instalación eléctrica debe ser realizada por un electricista calificado y con licencia.

Seleccione una ubicación para instalar su transmisor del sistema de control CoolTouch™. Puede reemplazar un interruptor de pared existente o instalar el transmisor en CUALQUIER superficie plana.

Opción 1: Instale el sistema de control usando una caja de salida de interruptor de pared existente. Asegúrese de que la energía eléctrica esté APAGADA en el panel principal antes de continuar.

NOTA: La instalación del interruptor debe cumplir con todos los códigos eléctricos locales y nacionales.

Paso 1. Retire la placa de pared existente y el interruptor viejo de la caja de salida de pared. Alambre tuerca los cables NEGROS (caliente) juntos y empuje hacia atrás dentro de la caja de salida. (Fig. 25)

Paso 2. Instale la placa de metal y la placa de pared CoolTouch™ en la caja de salida de pared existente con 4 tornillos provistos. Luego coloque los dos tapones de plástico en la placa de pared. (Fig. 26)

Opción 2: Instale el sistema de control en CUALQUIER superficie plana.

Seleccione la ubicación deseada y use la placa de pared CoolTouch™ para marcar la ubicación de los orificios de montaje. Use los anclajes de pared seca y / o los tornillos provistos y termine la instalación.

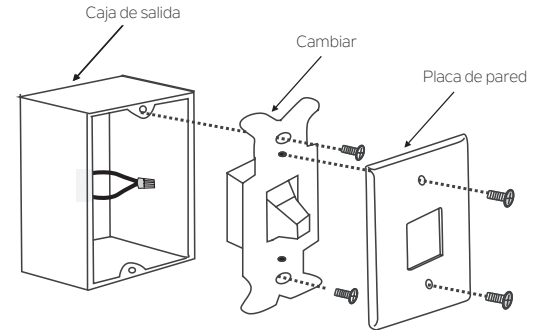


Fig. 25

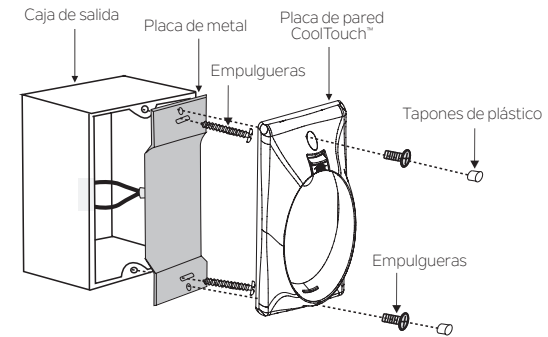


Fig. 26

INSTALANDO EL TRANSMISOR

1. Inserte el transmisor en la placa de pared insertando primero la parte inferior del transmisor y luego presione la parte superior del transmisor en el bolsillo. El transmisor funcionará completamente desde esta ubicación o puede quitar el transmisor y usarlo como un dispositivo "portátil".

2. Para retirar el transmisor de la placa de pared, presione el botón de liberación y el transmisor caerá en su mano.

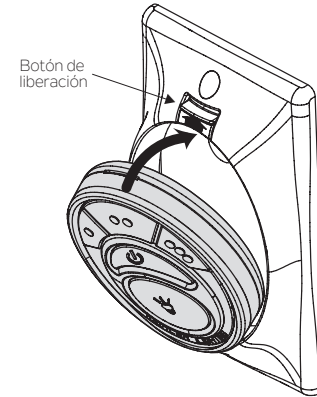


Fig. 27

SOLUCIÓN DE PROBLEMAS

Problema

Solución

El ventilador no arranca.

1. Verifique los fusibles o disyuntores del circuito.
2. Verifique todas las conexiones eléctricas para asegurar un contacto adecuado.
PRECAUCIÓN: Asegúrese de que la alimentación principal esté APAGADA cuando verifique cualquier conexión eléctrica.
3. Asegúrese de que las baterías del transmisor estén instaladas correctamente. Lado positivo (+) hacia afuera.
4. Asegúrese de que las baterías tengan una buena carga.

El ventilador suena ruidoso.

1. Asegúrese de que todos los tornillos de la carcasa del motor estén ajustados.
2. Asegúrese de que los tornillos que sujetan los soportes de las aspas del ventilador al motor estén apretados.
3. Asegúrese de que las conexiones de la tuerca del cable no se rocen entre sí o con la pared interior de la carcasa del interruptor. **PRECAUCIÓN:** Asegúrese de que la alimentación principal esté apagada.
4. Permita un período de "robo" de 24 horas. La mayor parte del ruido asociado con un nuevo ventilador desaparece durante este tiempo.
5. Si utiliza un kit de luces opcional, asegúrese de que los tornillos que sujetan la cristalería estén apretados. Asegúrese de que las bombillas no toquen ningún otro componente.
6. No conecte este ventilador a los controles de velocidad variable montados en la pared. no son compatibles con motores de ventilador de techo o controles remotos.
7. Asegúrese de que la cubierta superior esté a poca distancia del techo. No debe tocar el techo.

SOLUCIÓN DE PROBLEMAS

Problema

Solución

El ventilador se tambalea.

1. Compruebe que todos los tornillos de la cuchilla y del brazo de la cuchilla estén seguros.
2. La mayoría de los problemas de oscilación del ventilador se producen cuando los niveles de las aspas son desiguales. Verifique este nivel seleccionando un punto en el techo sobre la punta de una de las cuchillas. Mide esta distancia. Gire el ventilador hasta que la próxima aspa esté posicionada para la medición. Repita para cada cuchilla. La desviación de la distancia debe ser igual a 1/8".
3. Utilice el kit de equilibrio de la cuchilla adjunto si la oscilación de la cuchilla aún se nota.
4. Si la oscilación de la cuchilla aún se nota, el intercambio de dos cuchillas adyacentes (una al lado de la otra) puede redistribuir el peso y posiblemente resultar en una operación más suave.

Mal funcionamiento del control remoto.

1. Los ventiladores de techo con sistemas de control remoto NO SE PUEDEN operar en conjunto con ningún otro sistema de control EXCEPTO un interruptor de encendido / apagado de pared básico, si se desea.
2. Asegúrese de que los interruptores DIP de frecuencia en el transmisor y el receptor tengan configuraciones idénticas.
3. Asegúrese de que la antena negra del receptor NO esté enredada con ningún otro cable eléctrico y que se extienda alrededor del interior de la cubierta del techo.

ESPECIFICACIONES

Tamaño del ventilador	Velocidad	Voltios	Amplificadores	Vatios	RPM	CFM	CFM/W	NW	GW	CF
52"	Alto	120	0.50	60.50	148	5375.09	88.84	11.15 kgs	12.83 kgs	2.73'
	Medio	120	0.42	30.70	105	3670.64	119.56			
	Bajo	120	0.26	9.70	48	1683.75	173.58			

Estas son medidas aproximadas. No incluyen datos de ninguna lámpara o accesorio conectado al ventilador de techo.

INFORMACIÓN DE LA FCC:

Este dispositivo cumple con la parte 15 de las Reglas de la FCC. La operación es sujeta a las dos condiciones siguientes:

- 1) Este dispositivo no puede causar interferencia dañina, y
- 2) Este dispositivo debe aceptar cualquier interferencia recibida, incluyendo interferencias que puedan causar un funcionamiento no deseado.

Nota: Este equipo ha sido probado y cumple con los límites para un dispositivo digital de Clase B, de acuerdo con la parte 15 de las Reglas de la FCC. Estos límites están diseñados para proveer protección razonable contra interferencias dañinas en una instalación residencial. Este equipo genera, utiliza y puede irradiar energía de radiofrecuencia y, si no se instala y utiliza de acuerdo con las instrucciones, puede causar interferencias en las comunicaciones por radio. Sin embargo, no hay garantía que no se produzcan interferencias en una instalación en particular. Si este equipo causa interferencia perjudicial a la recepción de radio o televisión, que puede determinarse encender y apagar el equipo, se recomienda al usuario que intente corregir la interferencia mediante una o más de las siguientes medidas:

- Reorientar o reubicar la antena receptora.
- Aumente la separación entre el equipo y el receptor.
- Conecte el equipo a una toma de corriente en un circuito distinto al que está conectado el receptor.
- Consulte al distribuidor o a un técnico de radio / TV experimentado para obtener ayuda.

KICHLER®

KICHLER® LIGHTING

7711 EAST PLEASANT VALLEY ROAD, P.O. BOX 318010

CLEVELAND, OHIO 44131-8010

SERVICIO DE ATENCIÓN AL CLIENTE 866.558.5706

8:30 AM A 5:00 PM HORA DEL ESTE, DE LUNES A VIERNES