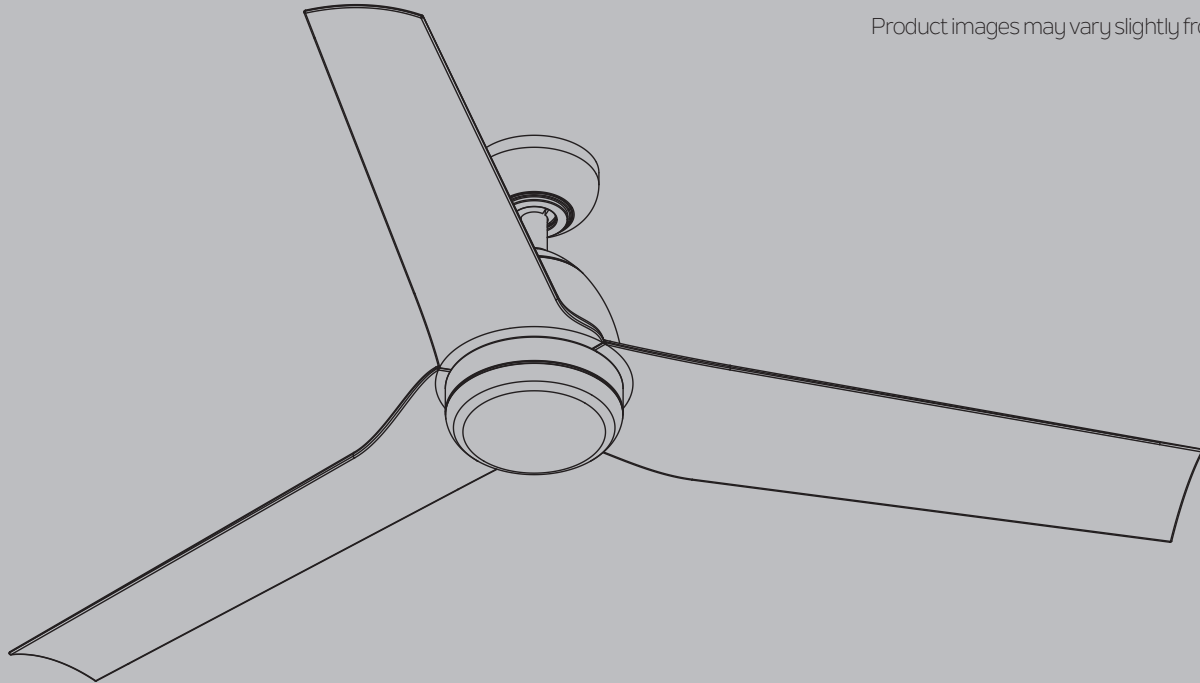


KICHLER®

54" Fit

Product images may vary slightly from actual product.



READ AND SAVE THESE INSTRUCTIONS

INSTRUCTION MANUAL
Model#310254

TABLE OF CONTENTS

SAFETY RULES	4	ATTACHING THE FAN BLADES	14
TOOLS REQUIRED	6	INSTALLING THE DECORATIVE CAP	15
PACKAGE CONTENTS	6	INSTALLING THE LIGHT KIT	16
MOUNTING OPTIONS	7	INSTALLING THE LIGHT KIT SHADE	18
HANGING THE FAN	8	OPERATING INSTRUCTIONS	19
INSTALLATION OF SAFETY SUPPORT	10	TROUBLESHOOTING	23
ELECTRICAL CONNECTIONS	11	FCC INFORMATION	25
FINISHING THE MOTOR INSTALLATION	13		

SAFETY RULES

WARNING: FOR CANADA, THIS FAN MUST BE SECURED DIRECTLY TO THE BUILDING STRUCTURE / CEILING JOIST. DON'T SECURE THIS FAN TO AN OUTLET BOX.

1. **CAUTION - RISK OF SHOCK:** Disconnect Power at the main circuit breaker panel or main fusebox before starting and during the installation.
2. **WARNING:** All wiring must be in accordance with the National Electrical Code "ANSI / NFPA70" and local electrical codes. Electrical installation should be performed by a qualified licensed electrician.
3. **WARNING:** To reduce the risk of electric shock, this fan must be installed with a general-use, isolating wall control / switch.
4. **WARNING:** Not suitable for use with solid-state speed controls.
5. **WARNING:** To reduce the risk of fire, electric shock, or personal injury, mount to outlet box marked "acceptable for fan support of 15.9 kg (35 lbs.) or less" and use mounting screws provided with the outlet box. Most outlet boxes commonly used for the support of light fixtures are not acceptable for fan support and may need to be replaced. Due to the complexity of the installation of this fan, a qualified licensed electrician is strongly recommended.
6. The outlet box and support structure must be securely mounted and capable of reliably supporting a minimum of 15.9 kg (35 pounds). Use only cULus Listed outlet boxes marked "Acceptable for Fan Support of 15.9 kg (35 lbs) or less".
7. The fan must be mounted with a minimum of 2.1m (7 feet) clearance from the trailing edge of the blades to the floor.
8. To operate the reverse function on this fan, press the "Reverse" button on the transmitter while fan is running.
9. Avoid placing objects in the path of the blades.
10. **WARNING:** make sure the power is disconnected before cleaning your fan.

SAFETY RULES

11. To avoid personal injury or damage to the fan and other items, be cautious when working around or cleaning the fan.
12. Do not use water or detergents when cleaning the fan or fan blades. A dry dust cloth or lightly dampened cloth will be suitable for most cleaning.
13. After making electrical connections, spliced conductors should be turned upward and pushed carefully up into outlet box. The wires should be spread apart with the grounded conductor and the equipment-grounding conductor on one side of the outlet box and the ungrounded conductor on the other side of the outlet box.
14. Electrical diagrams are reference only. Light kits that are not packed with the fan must be cULus Listed and marked suitable for use with the model fan you are installing. Switches must be cULus General Use Switches. Refer to the Instructions packaged with the light kits and switches for proper assembly.
15. All set screws must be checked, and retightened where necessary, before installation.

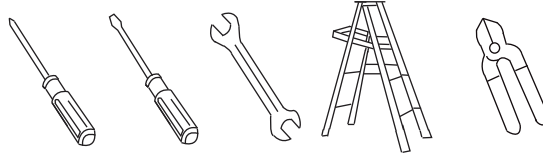
16. N.W.6.3KGS(13.89 LBS) / G.W.7.4 KGS(16.31 LBS)

WARNING

TO REDUCE THE RISK OF PERSONAL INJURY, DO NOT BEND THE BLADES DURING ASSEMBLY OR AFTER INSTALLATION. DO NOT INSERT OBJECTS IN THE PATH OF THE BLADES.

TOOLS AND MATERIALS REQUIRED

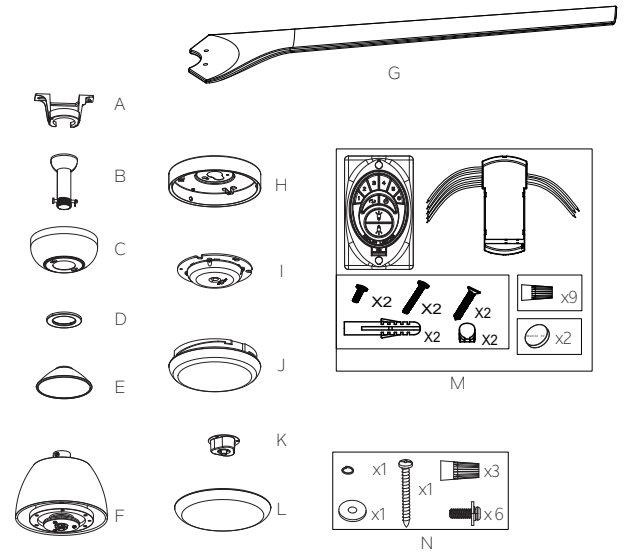
- Phillips Screwdriver
- Blade Screwdriver
- 11 mm Wrench
- Step Ladder
- Wire Cutters



PACKAGE CONTENTS

Unpack your fan and check the contents. You should have the following items:

- | | |
|----------------------------|------------------------------------|
| A. Mounting Bracket | M. Transmitter |
| B. Ball / Downrod Assembly | Transmitter (TRD250K3M) (1) |
| C. Canopy | Receiver (1) |
| D. Canopy Trim Ring | Batteries (2) |
| E. Coupling Cover | Wire Connectors (9) |
| F. Motor Body | N. Package Hardware |
| G. Fan Blades (3) | 1) Mounting Hardware: |
| H. Light Kit Housing | Wire Connectors (3) |
| I. Light Kit | 2) Blade Attachment Hardware: |
| J. Light Kit Shade | Fan Blade Mounting Screws |
| K. Wire Cover | (and washers) (6) |
| L. Decorative Cap | 3) Safety Cable Hardware: |
| | Wood Screw (1), Spring Washer (1), |
| | Flat Washer (1) |



MOUNTING OPTIONS

If there isn't an existing UL(cUL for Canadian Installation) listed mounting box, then read the following instructions. Disconnect the power by removing fuses or turning off circuit breakers.

Secure the outlet box directly to the building structure. Use appropriate fasteners and building materials. The outlet box and its support must be able to fully support the full weight of the fan (up to 15.9 kg (35 pounds)). Do not use plastic outlet boxes.

Figures 1, 2 and 3 are examples of different ways to mount the outlet box.

NOTE: If you are installing the ceiling fan on a sloped (vaulted) ceiling, you may need a longer downrod to maintain proper clearance between the tip of the blade and the ceiling. A minimum clearance of 12" is suggested for optimal operation.

NOTE: Depending on the location you have selected for installation, you may need to purchase and install a "Joist Hanger" for the support of the outlet box. Make sure the joist hanger you purchase has been designed for use with ceiling fans. **(Fig. 4)**

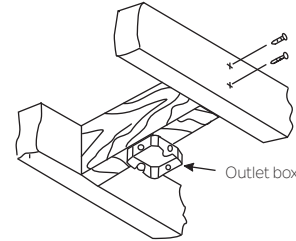


Fig. 1

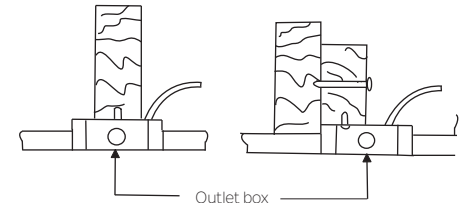


Fig. 2

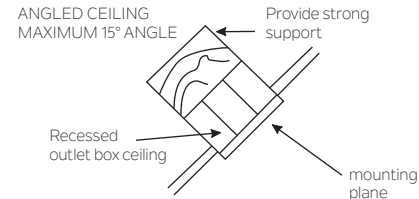


Fig. 3

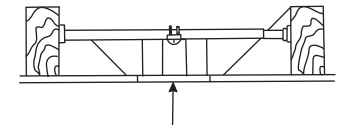


Fig. 4

HANGING THE FAN

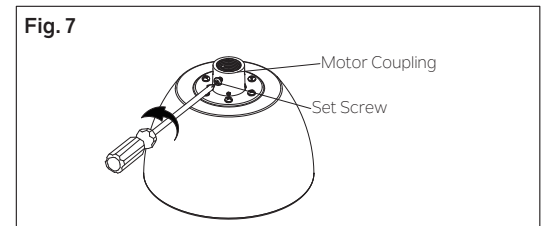
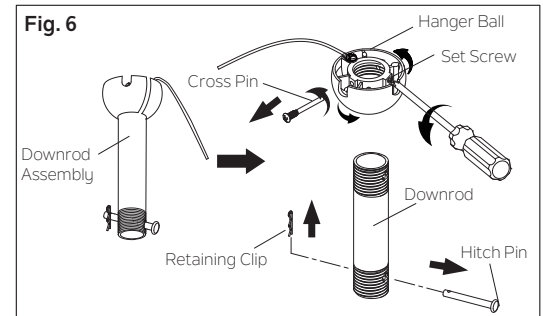
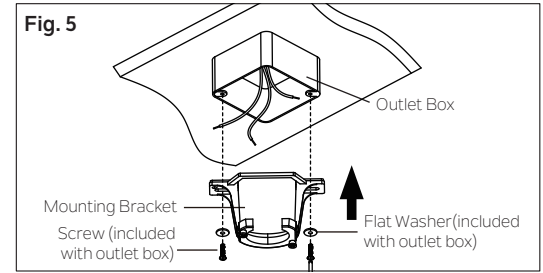
CAUTION: To avoid possible electrical shock, be sure you have turned off the power at the main circuit panel.

REMEMBER to turn off the power before you begin installation. This is necessary for your safety and also the proper programming of the control system. To properly install your ceiling fan, follow the steps below.

Step 1. Before attaching the fan to outlet box (not included), ensure the outlet box is securely fastened to at least two points to a structural ceiling member (a loose box will cause the fan to wobble). Pass the 120 volt supply wires from the ceiling outlet box through the center of the ceiling mounting bracket. Install mounting bracket to outlet box in ceiling using the screws and washers included with the outlet box. (Fig. 5)

Step 2. Remove the retaining clip and hitch pin from the downrod assembly. Remove the hanger ball from the downrod assembly by loosening the set screw on the hanger ball (do not remove), unscrewing and removing the cross pin, and unscrewing the hanger ball (counterclockwise) from the downrod. (Fig. 6)

Step 3. Loosen the two set screws (do not remove) on the motor coupling. (Fig. 7)



HANGING THE FAN (continued)

Step 4. Carefully feed fan wires and safety cable up through the downrod. Thread the downrod into the motor coupling until the hitch pin holes are aligned. Next, replace the hitch pin and retaining clip.

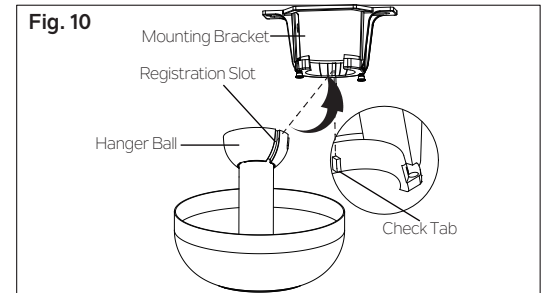
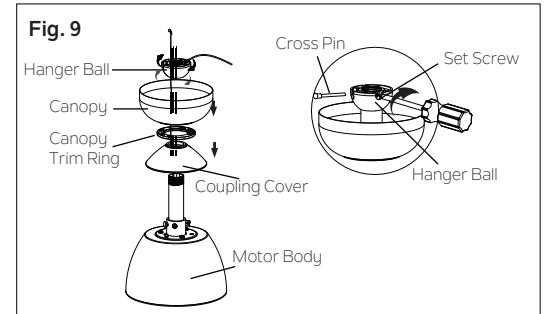
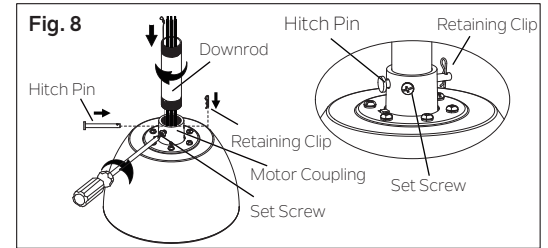
NOTE: Be careful not to jam the hitch pin against the wiring inside of the downrod. Tighten both set screws. (Fig. 8)

Step 5. Slip the coupling cover, canopy trim ring (smooth finished side facing motor body), and canopy onto the downrod. Carefully reinstall the hanger ball onto the downrod. Carefully reinstall the cross pin through the hanger ball and downrod.

NOTE: Be careful not to jam the cross pin against the wiring inside of the downrod. Make sure the cross pin is in the correct position. Tighten the cross pin. Tighten the set screw on the hanger ball. Make sure the wires are not twisted. (Fig. 9)

Step 6. Lift the motor body into position and place the hanger ball into the mounting bracket. Rotate the entire assembly until the “Check Tab” has dropped into the “Registration Slot” and seats firmly. (Fig.10) The entire motor body should not rotate if this is done correctly.

WARNING: Failure to reattach the cross pin and seat the “Check Tab” can cause the fan to fall from the ceiling during operation. Take special care to make sure this pin is reattached.



INSTALLATION OF SAFETY SUPPORT (required for Canadian installation ONLY)

A safety support cable is provided to help prevent the ceiling fan from falling, please install it as follows.

Step 1. Slip the spring washer, then the flat washer onto the wood screw, then drive the wood screw into the side of the brace that holds the outlet box. Leave 3mm (1/8") of space between the support brace and the flat washer. (Fig.11)

Step 2 . Insert the safety cable through the mounting bracket and one of the holes in the outlet box into the ceiling. Adjust the length of the safety cable to reach the wood screw and flat washer by pulling the extra cable through the cable clamp until the overall length is correct, put the end of the cable back through the cable clamp, forming a loop at the end of the cable. Tighten the cable clamp securely. Now, put the loop in the end of the safety cable over the wood screw and under the flat washer. Tighten the wood screw securely. (Fig.12)

NOTE: Although the safety support cable is required for Canadian installations only, it is a good idea to make the attachment with any installation.

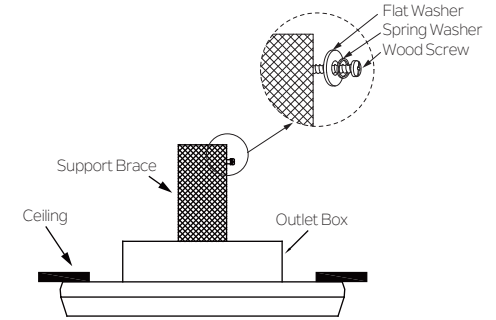


Fig. 11

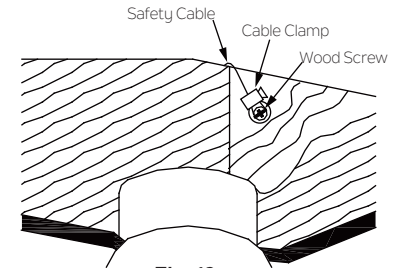


Fig. 12

ELECTRICAL CONNECTIONS

CAUTION: To avoid possible electrical shock, be sure you have turned off the power at the main circuit panel.

Step 1 . Insert the receiver into the ceiling mounting bracket with the flat side of the receiver facing the ceiling (**Fig.13**) for best performance, make sure the black antenna wire (on the end of the receiver) remains extended, and does not become tangled with the electrical wires.

WARNING: To avoid possible electrical shock, be sure you have turned off the power at the main circuit panel before wiring. Follow the steps below to connect the fan to your household wiring. Use the wire connectors supplied with your fan. Secure the connectors with electrical tape. Make sure there are no loose wire strands or connections

WARNING: This control is designed for use with "DC Motor Ceiling Fans" ONLY. DO NOT use with any other type of electrical appliance.

WARNING: All wiring must conform to national and local electrical codes. If you feel you do not have enough electrical knowledge, have a licensed electrician install the control.

WARNING: If your house wires are different colors other than referenced in this manual, stop immediately. A professional electrician is recommended to determine proper wiring.

Make each of the wire connections illustrated in Fig. 13. Secure each with the wire nuts provided.

WARNING: Check to see that all connections are tight, including ground, and that no bare wire is visible at the wire connections.

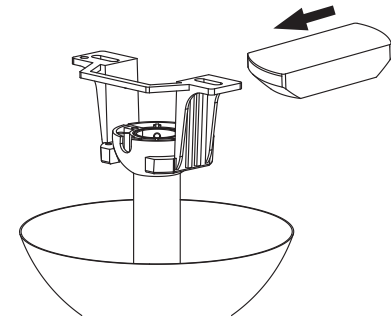


Fig. 13

ELECTRICAL CONNECTIONS (continued)

Step 1. Connect the BLUE (FOR LIGHT) wire from the fan to BLUE wire marked "FOR LIGHT L" from the receiver. **(Fig.14)**

Step 2. Connect the WHITE (FOR LIGHT) wire from the fan to WHITE wire marked "FOR LIGHT N" from the receiver. **(Fig.14)**

NOTE: If you DO NOT plan to use the light kit with your fan at this time, please DO NOT connect the Blue (FOR LIGHT) wires or White (FOR LIGHT) wires. Instead, cap each individual Blue wire and White wire with wire nuts.

Step 3. Connect the YELLOW (TO MOTOR U) wire from the fan to YELLOW wire marked "TO MOTOR" from the receiver. **(Fig.14)**

Step 4. Connect the GRAY (TO MOTOR V) wire from the fan to GRAY wire marked "TO MOTOR" from the receiver. **(Fig.14)**

Step 5. Connect the RED (TO MOTOR W) wire from the fan to RED wire marked "TO MOTOR" from the receiver. **(Fig.14)**

Step 6. Connect the BLACK (L) supply wire from outlet box to wire marked BLACK "AC IN L" from the receiver. **(Fig. 14)**

Step 7. Connect the WHITE (N) neutral wire from outlet box to WHITE wire marked "AC IN N" from the receiver. **(Fig. 14)**

Step 8. Connect GROUND (GREEN) wires from mounting bracket, hanger ball, and receiver to household GROUND (GREEN) or BARE (COPPER). **(Fig.14)**

NOTE: After making all wire connections, turn the wire connecting nuts upward, and push the wiring into the outlet box. Separate the white (neutral) and green (ground) wire connections to the one side of the outlet box, and the black (hot) wire connections to the other side of the outlet box.

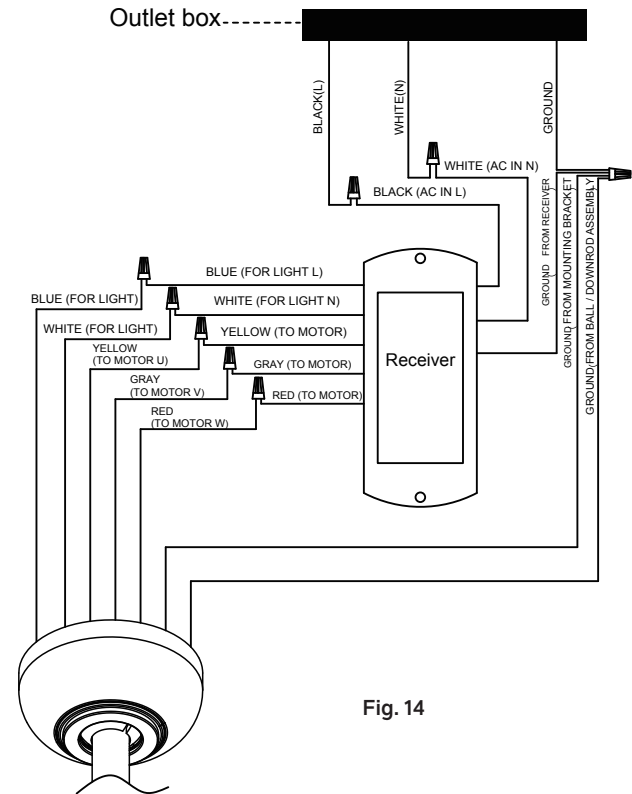


Fig. 14

FINISHING THE MOTOR INSTALLATION

CAUTION: Before continuing installation, confirm that the power is still turned off at the main circuit breaker or by removing the circuit fuse. Turning the power off using a wall switch is not sufficient to prevent electrical shock.

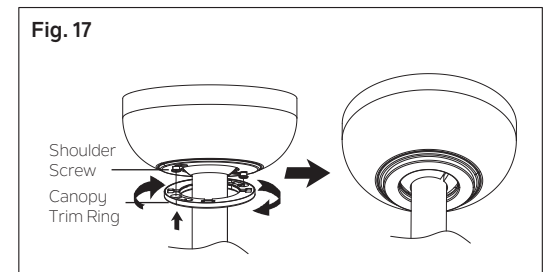
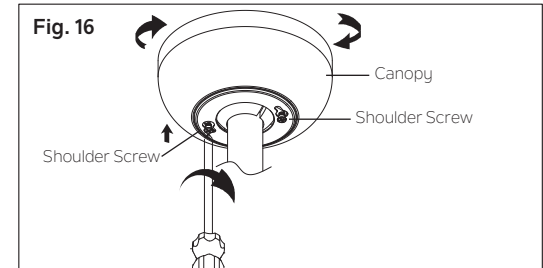
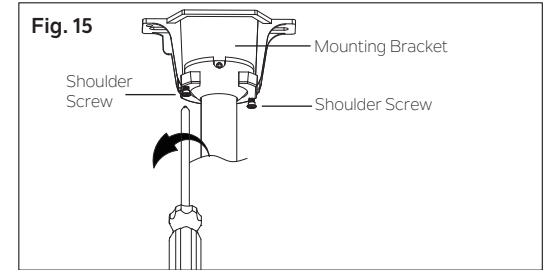
Step 1. Loosen the two shoulder screws at the bottom of the mounting bracket (do not remove). (Fig. 15)

Step 2. Raise the canopy to the mounting bracket. Place the key hole slots in the canopy over the shoulder screws in the mounting bracket. Rotate the canopy (clockwise) until the canopy locks in place against the shoulder screws (at the narrow ends of the key hole slots). Tighten the two shoulder screws to secure the canopy in place. (Fig. 16)

WARNING: Make sure the "Check Tab" at the bottom of the ceiling mounting bracket is properly seated in the "Registration Slot" on the side of the hanger ball before attaching the canopy to the ceiling mounting bracket.

Step 3. Raise the canopy trim ring to the canopy. Place the key hole slots in the canopy trim ring over the heads of the shoulder screws. Rotate the canopy trim ring (clockwise) until it locks in place against the shoulder screws (at the narrow ends of the key hole slots). (Fig. 17)

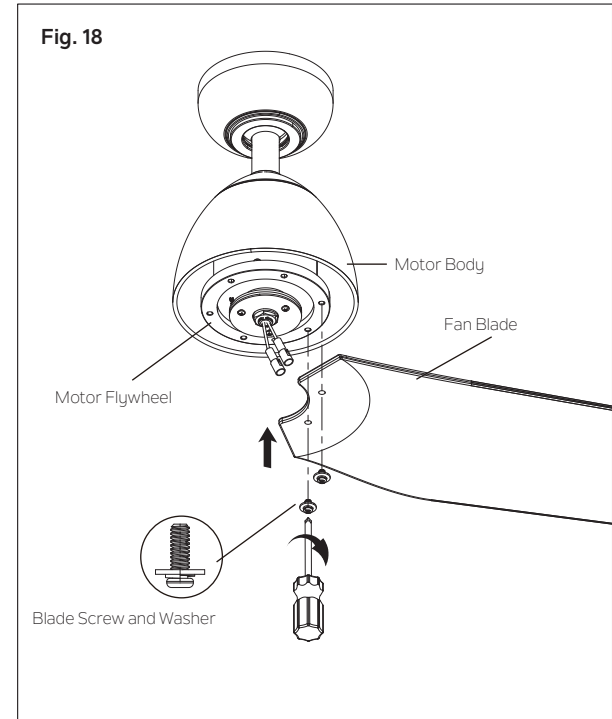
NOTE: Adjust the shoulder screws as necessary until the canopy and canopy trim ring are snug. (Fig. 17)



ATTACHING THE FAN BLADES

CAUTION: Before continuing installation, confirm that the power is still turned off at the main circuit breaker or by removing the circuit fuse. Turning the power off using a wall switch is not sufficient to prevent electrical shock.

Step 1. Line up the holes in the fan blades with the holes in the motor flywheel. Attach fan blades to the flywheel with blade screws and washers provided. Tighten to secure. **(Fig. 18)**



INSTALLING THE DECORATIVE CAP (IF NOT INSTALLING THE LIGHT KIT)

CAUTION: Before continuing installation, confirm that the power is still turned off at the main circuit breaker or by removing the circuit fuse. Turning the power off using a wall switch is not sufficient to prevent electrical shock.

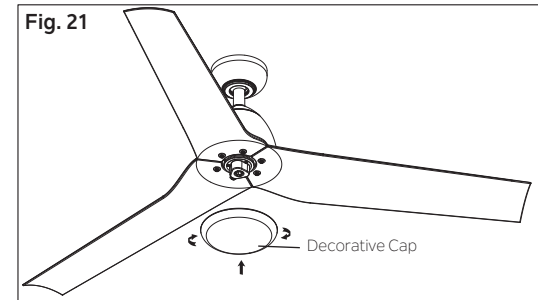
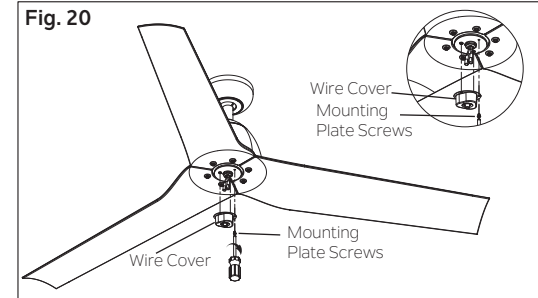
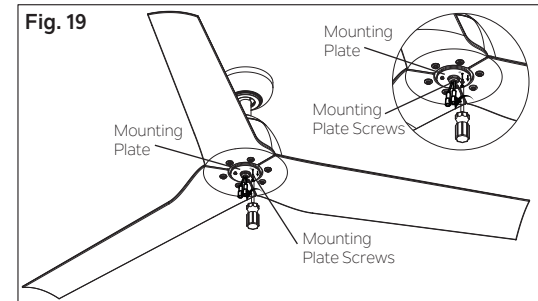
NOTE: If installing the light kit instead of the decorative cap, skip ahead to the "ATTACHING THE LIGHT KIT" instructions on the next page.

Step 1. Remove the three mounting plate screws from the mounting plate. Retain mounting plate screws. **(Fig.19)**

Step 2. Raise the wire cover to the mounting plate.

NOTE: Make sure that all wires protruding from the center of the mounting plate are inside of the wire cover. Align the holes in the wire cover with the holes in the mounting plate, then install the three mounting plate screws that were removed from the mounting plate into the aligned holes. Tighten all 3 mounting plate screws to secure the wire cover in place. **(Fig. 20)**

Step 3. Place the decorative cap over the wire cover and twist the decorative cap (clockwise) to secure the decorative cap to the wire cover. **(Fig. 21)**



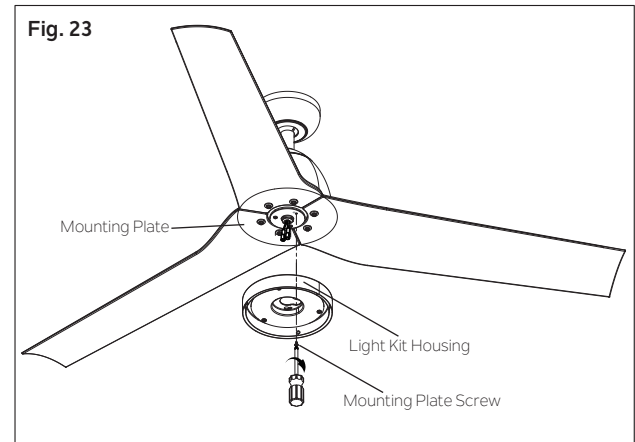
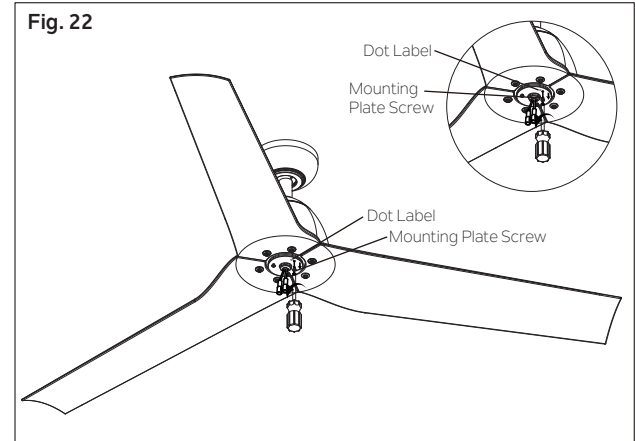
ATTACHING THE LIGHT KIT (IF NOT INSTALLING THE DECORATIVE CAP)

CAUTION: Before continuing installation, confirm that the power is still turned off at the main circuit breaker or by removing the circuit fuse. Turning the power off using a wall switch is not sufficient to prevent electrical shock.

NOTE: If installing the decorative cap instead of the light kit, see the "INSTALLING THE DECORATIVE CAP" instructions on the previous page.

Step 1. Remove the mounting plate screw that is marked with a brown dot label from the mounting plate. Retain mounting plate screw. Loosen the other two mounting plate screws (do not remove). **(Fig. 22)**

Step 2. Place the key hole slots in the light kit housing over the 2 mounting plate screws that were loosened on the mounting plate. Rotate the light kit housing (clockwise) until it locks in place against the mounting plate screws at the narrow ends of the key hole slots. Align the remaining hole in the light kit housing with the remaining hole in the mounting plate. Install the mounting plate screw that was removed from the mounting plate into the aligned holes. Tighten all 3 mounting plate screws to secure the light kit housing in place. **(Fig. 23)**



ATTACHING THE LIGHT KIT (continued)

Step 1. Remove one of the light kit housing screws from the outer edge of the light kit housing. Retain light kit housing screw. Loosen the other two light kit housing screws (do not remove). (Fig. 24)

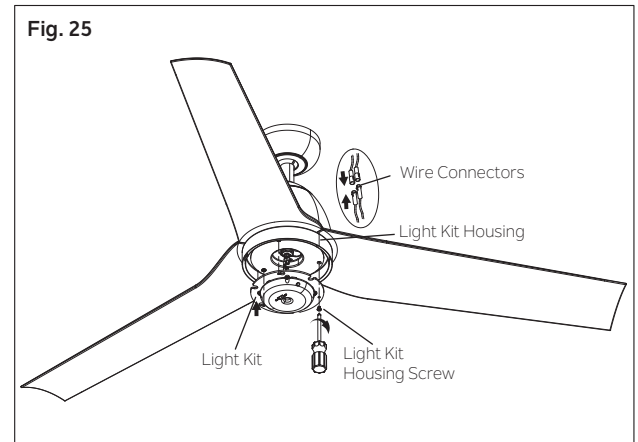
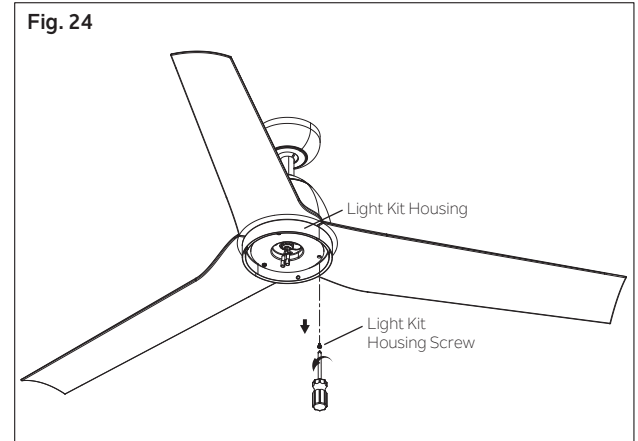
Step 2. Hold the light kit close to the light kit housing. (Fig. 25)

Connect the WHITE wire from the light kit to the WHITE wire from the fan by pushing the wire connectors together.

Connect the BLACK wire from the light kit to the BLACK wire from the fan by pushing the wire connectors together.

Step 3. Tuck the wire connections neatly into the light kit housing. Place the key hole slots in the light kit over the 2 light kit housing screws that were loosened from the light kit housing. Rotate the light kit (clockwise) until it locks in place against the light kit housing screws at the narrow ends of the key hole slots.

Align the remaining hole in the light kit with the remaining hole in the light kit housing. Install the light kit housing screw that was removed from the light kit housing into the aligned holes. Tighten all 3 light kit housing screws to secure the light kit in place. (Fig. 25)



INSTALLING THE LIGHT KIT SHADE

CAUTION: Before continuing installation, confirm that the power is still turned off at the main circuit breaker or by removing the circuit fuse. Turning the power off using a wall switch is not sufficient to prevent electrical shock.

Step1. Carefully raise the light kit shade to the fan and seat against the light kit housing. Carefully rotate the light kit shade (clockwise) until it locks into place in the light kit housing.

DO NOT OVER-TIGHTEN. (Fig. 26)

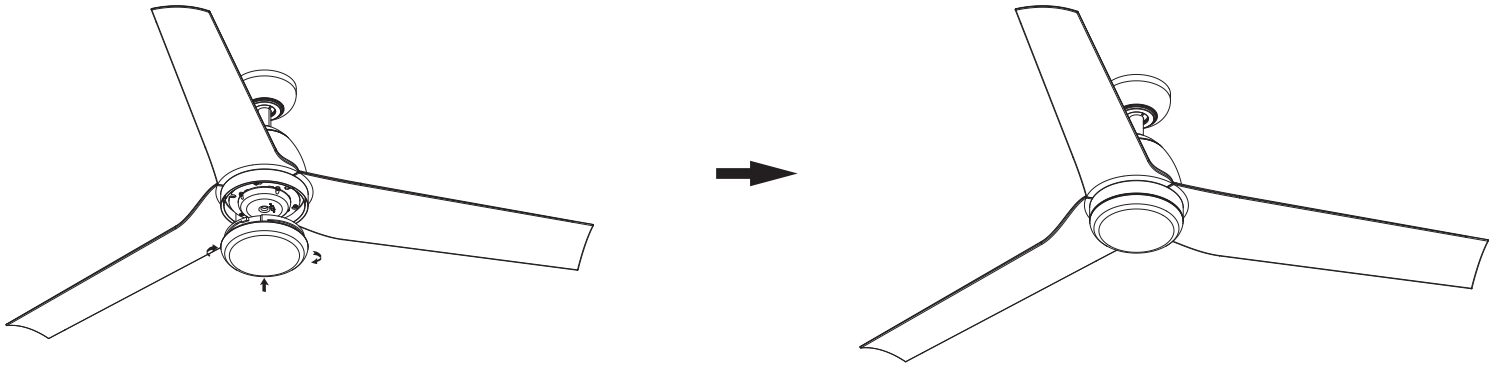


Fig. 26

OPERATING INSTRUCTIONS

INSTALLING THE COOLTOUCH TRANSMITTER WALL PLATE

WARNING: All wiring must be in accordance with the National Electrical Code and local electrical codes. Electrical installation should be performed by a qualified licensed electrician.

Select a location to install your CoolTouch™ wall plate. You can replace an existing wall switch, or install the wall plate on ANY flat surface.

Option 1: Install the wall plate using an existing wall switch outlet box.

CAUTION: Switch installation must comply with all local and national electric code. Make sure the electrical power is **TURNED OFF** at the main panel before continuing.

Step 1. Remove the existing wall plate and the old switch from the wall outlet box. Wire nut the BLACK leads (hot) together and push back inside the outlet box. **(Fig.27)**

Step 2. Install the metal plate and the CoolTouch™ wall plate to the existing wall outlet box with 2 screws provided. **(Fig.28)**

Option 2: Install the wall plate on ANY flat surface.

Step 1. Select the desired location and use the CoolTouch™ wall plate to mark the location for the mounting holes.

Step 2. Use the drywall anchors and screws provided to finish the installation.

INSTALLING THE TRANSMITTER

Step 1. Insert the transmitter into the wall plate by inserting the bottom of the transmitter first and then pressing the top of the transmitter into the pocket. The transmitter will fully function from this location or you can remove the transmitter and use it as a hand held device. **(Fig.29)**

Step 2. To remove the transmitter from the wall plate, push the release button and the transmitter will fall into your hand.

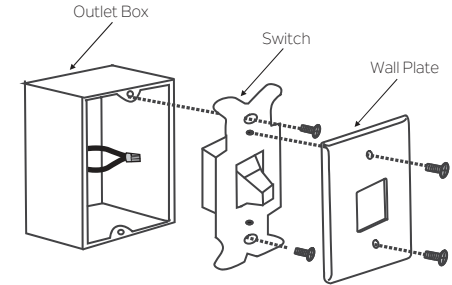


Fig. 27

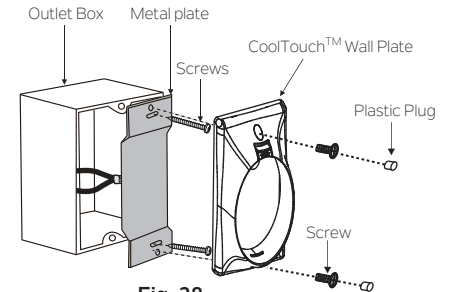


Fig. 28

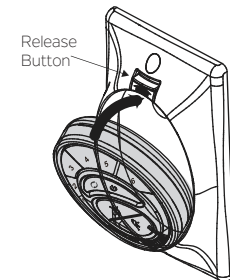


Fig. 29

OPERATING INSTRUCTIONS (continued)

INSTALLING THE TRANSMITTER BATTERIES

! **WARNING:** Chemical Burn Hazard. Keep batteries away from children.

This product contains a lithium button/coin cell battery.

If a new or used lithium button/coin cell battery is swallowed or enters the body, it can cause severe internal burns and can lead to death in as little as 2 hours.

Always completely secure the battery compartment. If the battery compartment does not close securely, stop using the product, remove the batteries, and keep it away from children. If you think batteries might have been swallowed or placed inside any part of the body, seek immediate medical attention.

- a) The cells shall be disposed of properly, including keeping them away from children;
- b) Even used cells may cause injury.

Step 1. Remove the safety screw and the battery cover from the back of the transmitter. Retain safety screw. (Fig. 30)

Step 2. Install two 3V CR2032 batteries (included) with the + side facing up. (Fig. 31)

Step 3. Reinstall the the battery cover and the safety screw to the back of the transmitter.

NOTE: If not used for long periods of time (several months), remove batteries to prevent damage to the handset control. Store the control away from excessive heat or humidity.

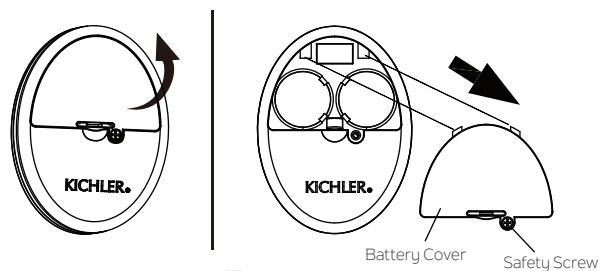


Fig. 30

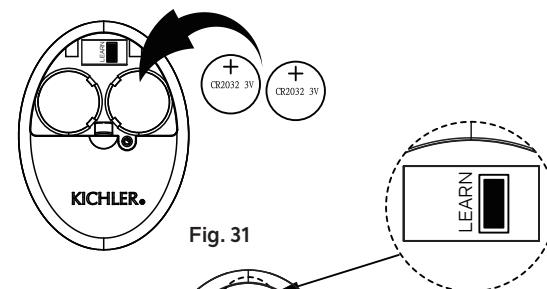


Fig. 31

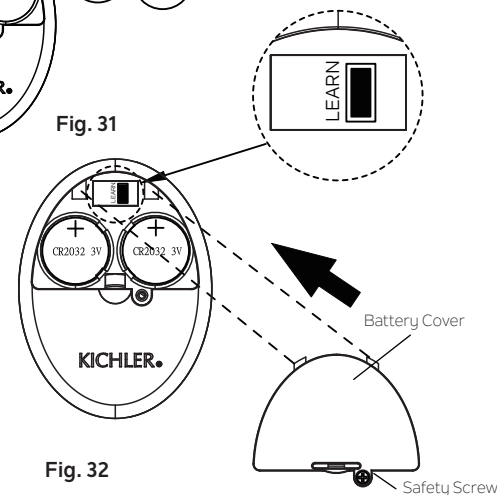


Fig. 32

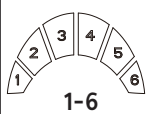



OPERATING INSTRUCTIONS (continued)

PAIRING A TRANSMITTER TO THE FAN

NOTE: Please keep this page in case future reprogramming is needed, or an additional remote control is added.

TRANSMITTER OPERATION

The buttons control the fan speed and light as follows: (Fig. 33)

	Fan Speed Control Buttons: 1 is the lowest speed and 6 is the highest speed. Press one of the buttons to start the fan at the corresponding speed, or to change speeds.
	OFF Button: Press once to stop the fan.
	Reverse Button: While the fan is running, press the reverse button once, and the fan will reverse direction.
	Light Button: Press once to turn the light on or off. Press and hold to dim or brighten the light to the desired level, then release.
	Light Button: Press once to turn the light on or off. Press and hold to dim or brighten the light to the desired level, then release.

NOTE: Your transmitter has been paired to your fan's receiver at the factory. No further pairing or frequency change is necessary. However, you may need to manually pair a transmitter to your fan's receiver:

- If you install an additional fan and would like to control all fans with the same transmitter.
- If the fan does not respond to the transmitter.

NOTE: First, make sure that the batteries in the transmitter still have power (when a button is pressed on the transmitter, the backlight in the transmitter will light up if the batteries still have power).

- If you replace a faulty transmitter or receiver with a new one.

To manually pair a transmitter to a receiver, follow these steps:

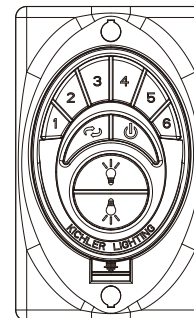


Fig. 33

WARNING: Make sure the power is completely disconnected before you begin this process.

Important: Fan motor and fan blades must be installed before the pairing process can begin.

Step 1. Remove the safety screw and battery cover from the back of the transmitter. Retain safety screw.

Step 2. Restore power to the ceiling fan branch circuit at the circuit breaker or fuse box. Within 30 seconds of restoring power, press and hold the LEARN button on the back of the transmitter (Fig. 32) for 3 seconds. The light on the fan (if installed) will flash twice and the fan will turn on at a low speed. This confirms that the pairing process is complete. The transmitter will now be paired to your fan and ready for use.

Step 3. Try different speed settings on the transmitter to make sure the fan is fully functional. If programming is unsuccessful, completely disconnect power again, then retry Step 2 again.

Step 4. Reinstall the battery cover and safety screw to the back of the transmitter.

OPERATING INSTRUCTIONS (continued)

To operate the reverse function on this fan, press the “Reverse” button on the transmitter while fan is running.

Warm Weather Operation: Forward (fan rotates counterclockwise).
A downward airflow creates a cooling effect (**Fig. 34**).
This allows you to set your air conditioner on a warmer setting without affecting your general comfort.

Cool Weather Operation: Reverse (fan rotates clockwise).
An upward airflow moves warm air off the ceiling areas (**Fig. 35**).
This allows you to set your heating unit on a cooler setting without affecting your general comfort.

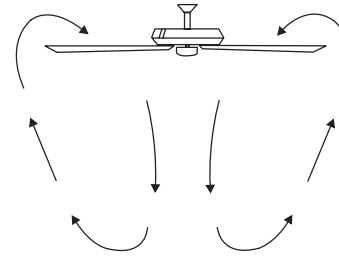


Fig. 34

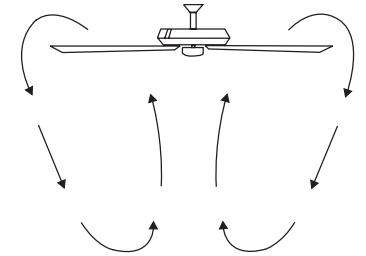


Fig. 35

TROUBLESHOOTING

Problem

Solution

Fan will not start.

1. Check circuit fuses or breakers.
2. Check all electrical connections to ensure proper contact. **CAUTION: Make sure the main power is OFF when checking any electrical connection.**
3. Make sure the transmitter batteries are installed properly with the + side facing up.
4. Ensure the batteries have a good charge (when a button is pressed on the transmitter, the backlight in the transmitter will light up if the batteries still have power).

Fan sounds noisy.

1. Make sure all motor housing screws are snug.
2. Make sure the screws that attach the fan blade brackets to the motor are tight.
3. Make sure wire nut connections are not rubbing against each other or the interior wall of the switch housing.
CAUTION: Make sure main power is off.
4. Allow a 24-hour "breaking-in" period. Most noise associated with a new fan disappears during this time.
5. If using an optional light kit, make sure the screws securing the glassware are tight. Make sure the light bulbs are not touching any other component.
6. Do not connect this fan to wall mounted variable speed control(s). They are not compatible with ceiling fan motors or remote controls.
7. Make sure the upper canopy is a short distance from the ceiling. It should not touch the ceiling.

Light is not working.

1. To check for loose wire connections between the LED light kit and the fan:
Shut off the branch circuit electricity at the fuse box or breaker panel, then check the LED light fixture assembly electrical connectors for proper installation.
2. To reset the transmitter: 1) Turn off power to fan using the wall switch or circuit breaker.
2) Remove batteries from transmitter. 3) Wait 10 seconds. 4) Replace the batteries in the transmitter, then restore power to the fan.

TROUBLESHOOTING (continued)

Problem

Solution

Fan wobble.

1. Check that all blade and blade arm screws are secure.
2. Most fan wobbling problems are caused when blade levels are unequal. Check this level by selecting a point on the ceiling above the tip of one of the blades. Measure this distance. Rotate the fan until the next blade is positioned for measurement. Repeat for each blade. The distance deviation should be equal within 1/8".
3. If the blade wobble is still noticeable, interchanging two adjacent (side by side) blades can redistribute the weight and possibly result in smoother operation.

Remote control malfunction.

1. Ceiling Fans with remote control systems **CAN NOT** be operated in conjunction with any other control system **EXCEPT** a basic On/Off wall switch if desired.

WARNING: TO REDUCE THE RISK OF PERSONAL INJURY AND TO ENSURE THE PROPER OPERATION OF YOUR CEILING FAN. NEVER ATTACH THE BLADE ASSEMBLIES UNTIL THE CEILING FAN HAS BEEN MOUNTED ON THE CEILING. DO NOT BEND THE BLADES WHILE INSTALLING, BALANCING OR CLEANING THE FAN. DO NOT INSERT FOREIGN OBJECTS BETWEEN ROTATING FAN BLADES.

FCC INFORMATION

This device complies with part 15 of the FCC Rules. Operation is subject to the following two conditions:

- 1) This device may not cause harmful interference, and
- 2) This device must accept any interference received, including interference that may cause undesired operation.

Note: This equipment has been tested and found to comply with the limits for a Class B digital device, pursuant to part 15 of the FCC Rules. These limits are designed to provide reasonable protection against harmful interference in a residential installation. This equipment generates, uses and can radiate radio frequency energy and, if not installed and used in accordance with the instructions, may cause harmful interference to radio communications. However, there is no guarantee that interference will not occur in a particular installation. If this equipment does cause harmful interference to radio or television reception, which can be determined by turning the equipment off and on, the user is encouraged to try to correct the interference by one or more of the following measures :

- Reorient or relocate the receiving antenna.
- Increase the separation between the equipment and receiver.
- Connect the equipment into an outlet on a circuit different from that to which the receiver is connected.
- Consult the dealer or an experienced radio/TV technician for help.

KICHLER®

www.kichler.com

KICHLER LIGHTING LLC

30455 Solon Rd.

Solon, OH 44139 USA.

CUSTOMER SERVICE 866.558.5706

8:00 AM TO 5:00 PM EST, MONDAY - FRIDAY

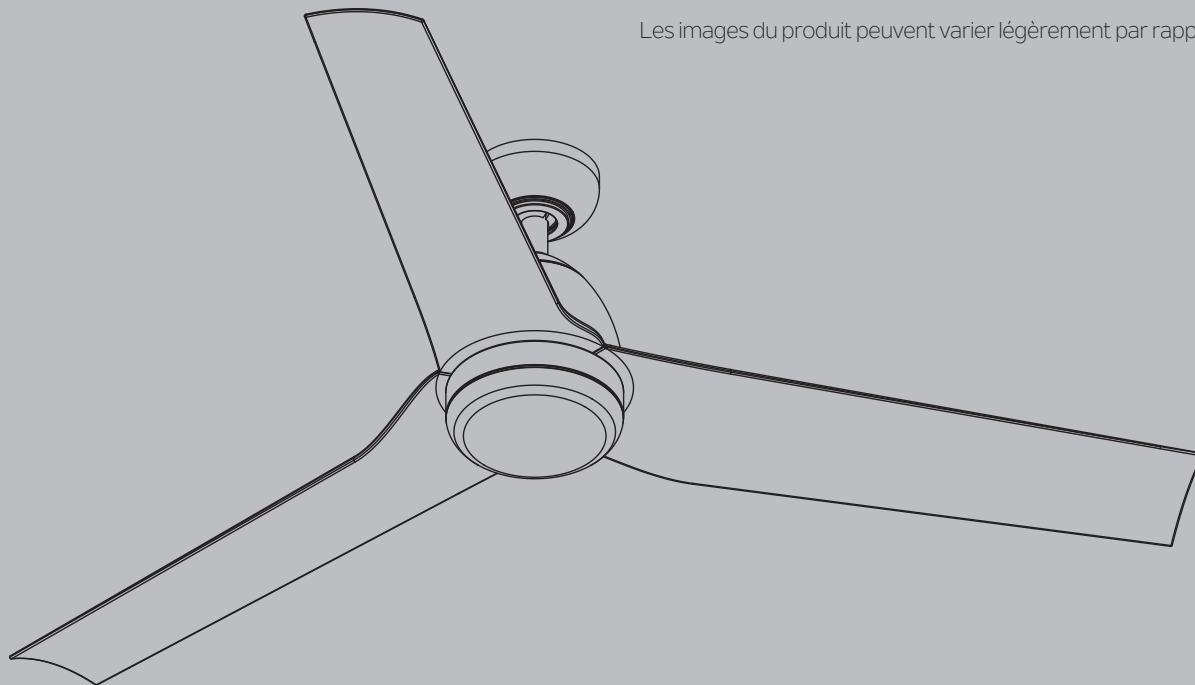
REV 14-NOV-2023

© Kichler Lighting LLC. All Rights Reserved.

KICHLER®

Fit de 54 po

Les images du produit peuvent varier légèrement par rapport au produit réel.



LISEZ ET CONSERVEZ CES INSTRUCTIONS

MANUEL D'INSTRUCTIONS
Modèle n° 310254

TABLE DES MATIÈRES

RÈGLES DE SÉCURITÉ	4	FIXATION DES PALES DU VENTILATEUR	14
OUTILS NÉCESSAIRES	6	INSTALLATION DU COUVERCLE DÉCORATIF	15
CONTENU DU COLIS	6	INSTALLATION DU KIT D'ÉCLAIRAGE	16
OPTIONS DE MONTAGE	7	INSTALLATION DE L'ABAT-JOUR DU KIT D'ÉCLAIRAGE.....	18
SUSPENDRE LE VENTILATEUR	8	INSTRUCTIONS D'UTILISATION	19
INSTALLATION DU SUPPORT DE SÉCURITÉ	10	DÉPANNAGE	23
RACCORDEMENTS ÉLECTRIQUES	11	INFORMATION FCC	25
FINITION DE L' INSTALLATION DU MOTEUR	13		

RÈGLES DE SÉCURITÉ

AVERTISSEMENT : POUR LE CANADA, CE VENTILATEUR DOIT ÊTRE FIXÉ DIRECTEMENT À LA STRUCTURE DU BÂTIMENT OU À LA SOLIVE DE PLAFOND. NE PAS FIXER CE VENTILATEUR À UNE BOÎTE DE SORTIE.

- 1. ATTENTION – RISQUE DE CHOC ÉLECTRIQUE :**
Débranchez l'alimentation au panneau du disjoncteur principal ou à la boîte à fusibles principale avant de démarrer et pendant l'installation.
- 2. AVERTISSEMENT :** Tout le câblage doit être conforme au National Electrical Code « ANSI/NFPA 70 » et aux codes électriques locaux. L'installation électrique doit être effectuée par un électricien qualifié et agréé.
- 3. AVERTISSEMENT :** Pour réduire le risque d'électrocution, ce ventilateur doit être installé avec une commande/ un interrupteur mural isolant à usage général.
- 4. AVERTISSEMENT :** Ne convient pas à une utilisation avec des commandes de vitesse à semi-conducteurs.
- 5. AVERTISSEMENT :** Pour réduire le risque d'incendie, d'électrocution ou de blessure corporelle, installez l'appareil sur une boîte de sortie portant la mention « acceptable pour soutenir un ventilateur de 15,9 kg (35 lb) ou moins ». Utilisez les vis de montage livrées avec la boîte de sortie. Il faudra probablement remplacer la boîte de sortie, car la plupart des boîtes de sortie utilisées pour soutenir des appareils d'éclairage ne sont pas acceptables pour soutenir un ventilateur. En raison de la complexité de l'installation de ce ventilateur, un électricien agréé qualifié est fortement recommandé.
- 6.** La boîte de sortie et la structure de support doivent être solidement montées et capables de supporter de manière fiable un minimum de 15,9 kg (35 lb). N'utilisez que des boîtes de sortie cULus portant la mention « Acceptable pour soutenir un ventilateur de 15,9 kg (35 lb) ou moins ».
- 7.** Le ventilateur doit être monté avec un dégagement minimum de 2,1 m (7 pieds) entre le bord de fuite des pales et le sol.
- 8.** Pour activer la fonction d'inversion sur ce ventilateur, appuyez sur le bouton « Reverse » (Inversion) pendant que le ventilateur fonctionne.
- 9.** Évitez de placer des objets sur la trajectoire des pales.
- 10. AVERTISSEMENT :** assurez-vous que l'alimentation est coupée

RÈGLES DE SÉCURITÉ

11. Pour éviter des blessures corporelles ou des dommages au ventilateur et à d'autres éléments, soyez prudent lorsque vous travaillez autour ou nettoyez le ventilateur.
12. N'utilisez pas d'eau ou de détergents pour nettoyer le ventilateur ou les pales du ventilateur. Un chiffon sec à poussière ou un chiffon légèrement humide conviendra pour la plupart des nettoyages.
13. Après avoir effectué les raccordements électriques, les conducteurs raccordés doivent être tournés vers le haut et poussés avec précaution dans le boîtier de sortie. Les fils doivent être écartés avec le conducteur mis à la terre et le conducteur de mise à la terre de l'équipement d'un côté de la boîte de sortie et le conducteur non mis à la terre de l'autre côté de la boîte de sortie.
14. Les schémas électriques sont fournis à titre indicatif uniquement. Les ensembles d'éclairage qui ne sont pas fournis avec le ventilateur doivent être répertoriés et marqués cULus pour une utilisation avec le modèle de ventilateur que vous installez. Les commutateurs doivent être des commutateurs cULus à usage général. Reportez-vous aux instructions fournies avec les ensembles d'éclairage et les interrupteurs pour un assemblage correct.
15. Toutes les vis de réglage doivent être vérifiées et resserrées si nécessaire avant l'installation.

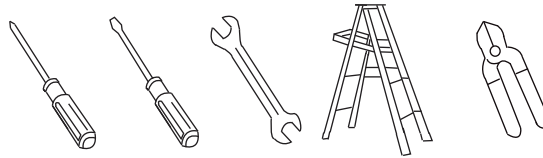
16. N.W. 6,3 KG (13,89 LB) / G.W. 7,4 KG (16,31 LB)

AVERTISSEMENT

POUR RÉDUIRE LE RISQUE DE BLESSURE, NE PLIEZ PAS LES PALES PENDANT LE MONTAGE OU APRÈS L'INSTALLATION. NE PAS INSÉRER D'OBJETS SUR LE PASSAGE DES PALES.

OUTILS ET MATÉRIEAUX NÉCESSAIRES

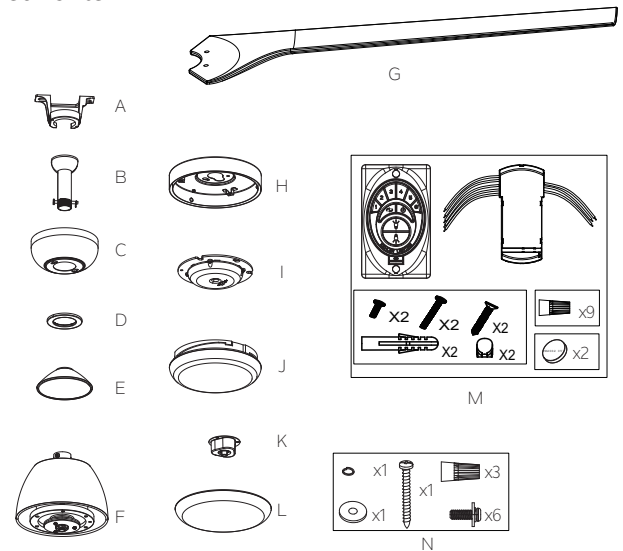
- Tournevis cruciforme
- Tournevis à lame
- Clé de 11 mm
- Escabeau
- Pincés coupantes



CONTENU DU COLIS

Déballez votre ventilateur et vérifiez le contenu. Vous devriez avoir les éléments suivants :

- | | |
|------------------------------------|--|
| A. Support de montage | M. Émetteur |
| B. Ensemble boule/tige descendante | Émetteur (TRD250K3M) (1) |
| C. Garniture | Récepteur (1) |
| D. Anneau de garniture | Piles (2) |
| E. Couvercle d'accouplement | Connecteurs de fil (9) |
| F. Corps du moteur | N. Matériel d'emballage |
| G. Pales de ventilateur (3) | 1) Matériel de montage : |
| H. Boîtier du kit d'éclairage | Connecteurs de fil (3) |
| I. Kit d'éclairage | 2) Matériel de fixation de pale : |
| J. Abat-jour du kit d'éclairage | Vis (et rondelles) de montage de pale de ventilateur (6) |
| K. Protection de fil | 3) Matériel du câble de sécurité : |
| L. Couvercle décoratif | Vis à bois (1), rondelle à ressort (1), rondelle plate (1) |



OPTIONS DE MONTAGE

S'il n'y a pas de boîtier de montage homologué UL (cUL pour installation canadienne), lisez les instructions suivantes. Débranchez l'alimentation en retirant les fusibles ou en désactivant les disjoncteurs.

Fixez le boîtier de sortie directement à la structure du bâtiment. Utilisez des fixations et des matériaux de construction appropriés. Le boîtier de sortie et son support doivent pouvoir supporter entièrement le poids total du ventilateur (jusqu'à 15,9 kg (35 lb)). N'utilisez pas de boîtiers de sortie en plastique.

Les Images 1, 2 et 3 sont des exemples des différentes manières de monter le boîtier de sortie.

REMARQUE : Si vous installez le ventilateur de plafond sur un plafond en pente (voûté), vous aurez peut-être besoin d'une tige descendante plus longue pour maintenir un dégagement approprié entre la pointe de la pale et le plafond. Un dégagement minimum de 12 po est suggéré pour un fonctionnement optimal.

REMARQUE : Selon l'endroit que vous avez choisi pour l'installation, vous devrez peut-être acheter et installer une « suspente de solive » pour soutenir le boîtier de sortie. Assurez-vous que la suspente de solive que vous achetez a été conçue pour être utilisée avec des ventilateurs de plafond. (Image 4)

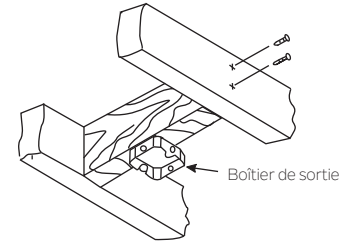


Image 1

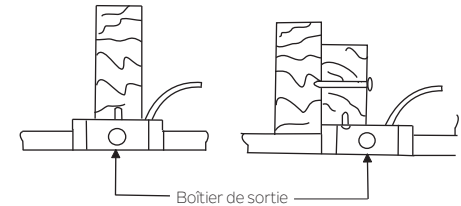


Image 2

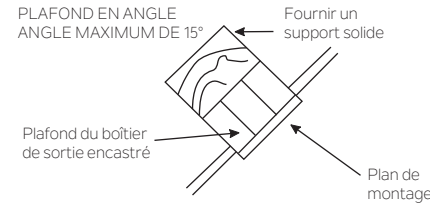


Image 3

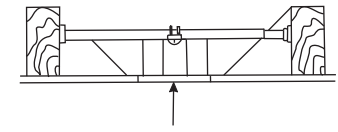


Image 4

SUSPENDRE LE VENTILATEUR

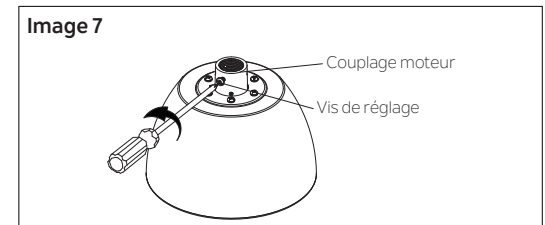
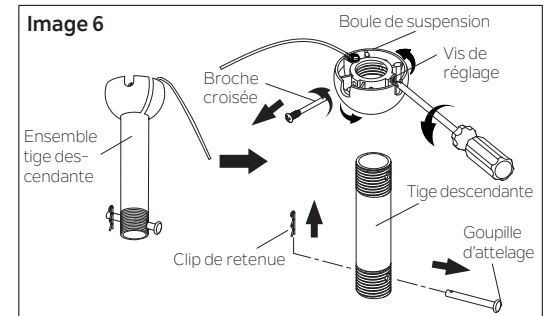
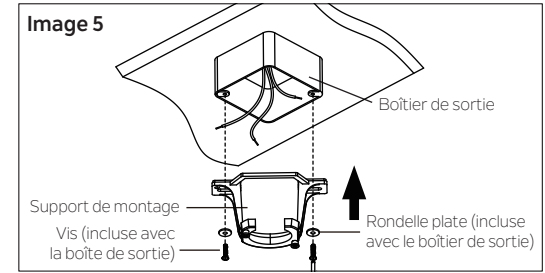
ATTENTION : Pour éviter tout risque d'électrocution, assurez-vous d'avoir coupé l'alimentation au panneau de circuit principal avant de procéder au câblage.

RAPPELEZ-VOUS de couper l'alimentation avant de commencer l'installation. Ceci est nécessaire pour votre sécurité et également pour la bonne programmation du système de commande. Pour installer correctement votre ventilateur de plafond, suivez les étapes ci-dessous.

Étape 1. Avant de fixer le ventilateur au boîtier de sortie (non inclus), assurez-vous que le boîtier de sortie est solidement fixé à au moins deux points à un élément du plafond structural (un boîtier desserré fera vaciller le ventilateur). Faites passer les fils d'alimentation de 120 volts du boîtier de sortie au plafond par le centre du support de montage au plafond. Installez le support de montage sur le boîtier de sortie au plafond à l'aide des vis et rondelles fournies avec le boîtier de sortie. **(Image 5)**

Étape 2. Retirez l'attache de retenue et la goupille d'attelage de l'assemblage de la tige descendante. Retirez la boule de suspension en desserrant la vis de réglage sur la boule de suspension (ne la retirez pas), en dévissant et en retirant la goupille transversale, et en dévissant la boule de suspension (dans le sens antihoraire) de la tige de suspension. **(Image 6)**

Étape 3. Desserrez les deux vis de réglage (ne pas retirer) sur l'accouplement du moteur. **(Image 7)**



SUSPENDRE LE VENTILATEUR (Suite)

Étape 4. Faites passer avec précaution les fils du ventilateur et le câble de sécurité à travers la tige descendante. Vissez la tige de suspension dans l'accouplement du moteur jusqu'à ce que les trous des goupilles d'attelage soient alignés. Remettez ensuite en place la goupille d'attelage et le clip de retenue.

REMARQUE : Veillez à ne pas coincer la goupille d'attelage contre le câblage à l'intérieur de la tige descendante. Serrez les deux vis de réglage. (Image 8)

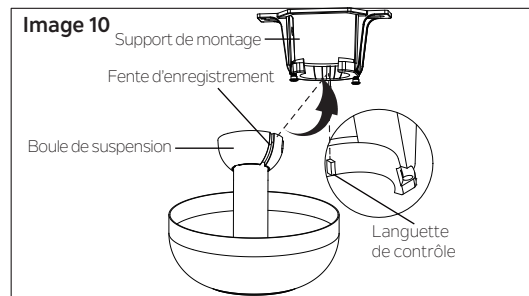
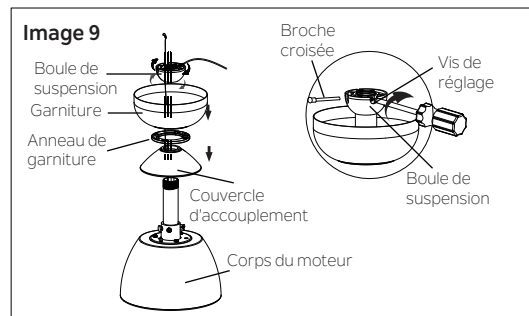
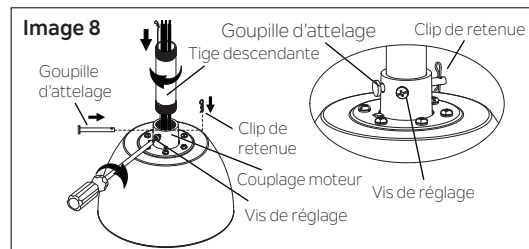
Étape 5. Glissez le couvercle d'accouplement, l'anneau de finition de garniture (côté fini face au corps du moteur) et la garniture sur la tige descendante. Réinstallez soigneusement la boule de suspension sur la tige descendante. Réinstallez soigneusement la goupille transversale à travers la boule de suspension et la tige de suspension.

REMARQUE : Veillez à ne pas coincer la tige transversale contre le câblage à l'intérieur de la tige descendante. Assurez-vous que la goupille transversale est dans la bonne position. Serrez la goupille transversale. Serrez la vis de pression sur la boule de suspension.

Assurez-vous que les fils ne sont pas tordus. (Image 9)

Étape 6. Soulevez maintenant le corps du moteur en position et placez la boule de suspension dans le support de montage. Faites pivoter l'ensemble jusqu'à ce que la « languette de contrôle » soit tombée dans la « fente d'enregistrement » et soit fermement en place. (Image 10) L'ensemble du corps du moteur ne doit pas tourner si cela est fait correctement.

AVERTISSEMENT : Le fait de ne pas remettre en place la goupille transversale et de placer la « languette de contrôle » peut entraîner la chute du ventilateur du plafond pendant le fonctionnement. Veillez tout particulièrement à ce que cette goupille soit remise en place.



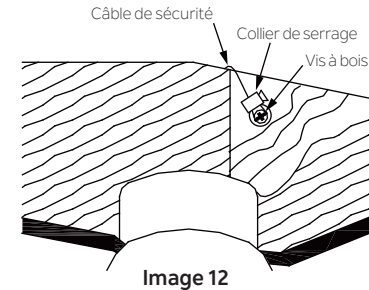
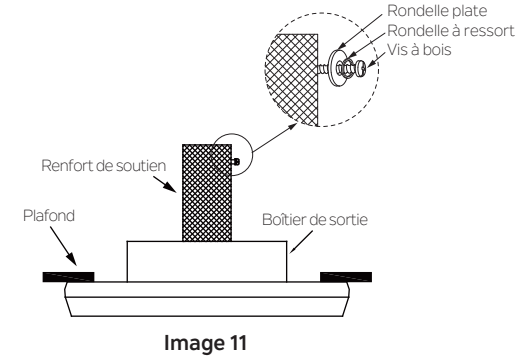
INSTALLATION DU SUPPORT DE SÉCURITÉ (requis pour l'installation au Canada SEULEMENT)

Un câble de support de sécurité est fourni pour aider à empêcher le ventilateur de plafond de tomber, veuillez l'installer comme suit.

Étape 1. Glissez la rondelle élastique, puis la rondelle plate sur la vis à bois, puis enfoncez la vis à bois dans le côté du renfort qui maintient la boîte de sortie. Laissez 3 mm (1/8 po) d'espace entre le renfort de support et la rondelle. (Image 11)

Étape 2. Insérez le câble de sécurité à travers le support de montage et l'un des trous du boîtier de sortie dans le plafond. Ajustez la longueur du câble de sécurité pour atteindre la vis à bois et la rondelle plate en tirant le câble supplémentaire à travers l'attache-câble jusqu'à ce que la longueur totale soit correcte, remettez l'extrémité du câble à travers l'attache-câble, en formant une boucle à l'extrémité du câble. Serrez fermement le serre-câble. Maintenant, placez la boucle à l'extrémité du câble de sécurité sur la vis à bois et sous la rondelle. Serrez fermement la vis à bois. (Image 12)

REMARQUE : Bien que le câble de support de sécurité ne soit requis que pour les installations au Canada, c'est une bonne idée d'effectuer la fixation avec n'importe quelle installation.



RACCORDEMENTS ÉLECTRIQUES

ATTENTION : Pour éviter tout risque d'électrocution, assurez-vous d'avoir coupé l'alimentation au panneau de circuit principal avant de procéder au câblage.

Étape 1. Insérer le récepteur dans le support de montage du plafond avec le côté plat du récepteur orienté vers le plafond (**Image 13**). Pour obtenir une meilleure performance, s'assurer que le fil d'antenne noir (à l'extrémité du récepteur) reste étendu et ne s'emmêle pas avec les fils électriques.

AVERTISSEMENT : Pour éviter tout risque d'électrocution, s'assurer d'avoir coupé l'alimentation au panneau de circuit principal avant de procéder au câblage. Suivez les étapes ci-dessous pour raccorder le ventilateur à votre câblage domestique. Utilisez les connecteurs de fils fournis avec votre ventilateur. Fixez les connecteurs avec du ruban isolant.

Assurez-vous qu'il n'y a pas de torons métalliques ou de raccords desserrés.

AVERTISSEMENT : Cette commande est conçue pour être utilisée avec les « ventilateurs de plafond à moteur c.c. » **UNIQUEMENT**. NE PAS utiliser avec tout autre type d'appareil électrique.

AVERTISSEMENT : Tout le câblage doit être conforme aux codes électriques nationaux et locaux. Si vous pensez ne pas avoir suffisamment de connaissances en électricité, demandez à un électricien agréé d'installer le système de commande.

AVERTISSEMENT : Si les fils de votre maison sont de couleurs différentes de celles indiquées dans ce manuel, arrêtez immédiatement. Un électricien professionnel est recommandé pour déterminer le câblage approprié.

Effectuez chacune des connexions de fils illustrées à l'image 13. Fixez chacun d'entre eux avec les écrous de fil fournis.

AVERTISSEMENT : Vérifiez que toutes les connexions sont bien serrées, y compris la mise à la terre, et qu'aucun fil nu n'est visible au niveau des connexions de fil.

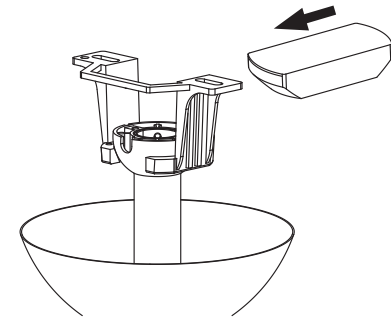


Image 13

RACCORDEMENTS ÉLECTRIQUES (SUITE)

Étape 1. Raccordez le fil BLEU (POUR L'ÉCLAIRAGE) du ventilateur au fil BLEU marqué « POUR L'ÉCLAIRAGE L » du récepteur. **(Image 14)**

Étape 2. Raccordez le fil BLANC (POUR L'ÉCLAIRAGE) du ventilateur au fil BLANC marqué « POUR L'ÉCLAIRAGE N » du récepteur. **(Image 14)**

REMARQUE : Si vous ne prévoyez PAS d'utiliser votre kit d'éclairage avec le ventilateur pour le moment, veuillez NE PAS raccorder les fils bleus (POUR L'ÉCLAIRAGE) ou blancs (POUR L'ÉCLAIRAGE). Au lieu de cela, couvrez chaque fil bleu et chaque fil blanc avec des capuchons de connexion.

Étape 3. Raccordez le fil JAUNE (VERS MOTEUR U) du ventilateur au fil JAUNE marqué « VERS MOTEUR » du récepteur. **(Image 14)**

Étape 4. Raccordez le fil GRIS (VERS MOTEUR V) du ventilateur au fil GRIS marqué « VERS MOTEUR » du récepteur **(Image 14)**

Étape 5. Raccordez le fil ROUGE (VERS MOTEUR W) du ventilateur au fil ROUGE marqué « VERS MOTEUR » du récepteur. **(Image 14)**

Étape 6. Raccordez le fil d'alimentation NOIR (L) du boîtier de sortie au fil NOIR marqué « CA DANS L » du récepteur. **(Image 14)**

Étape 7. Raccordez le fil neutre BLANC (N) du boîtier de sortie au fil BLANC marqué « CA DANS L » du récepteur. **(Image 14)**

Étape 8. Raccorder les fils de MISE À LA TERRE (VERT) du support de montage, de la boule de suspension et du récepteur au fil de MISE À LA TERRE (VERT) ou au fil NU (CUIVRE) **(Image 14)**

REMARQUE : Après avoir raccordé tous les fils, tournez les capuchons de connexion des fils vers le haut et poussez le câblage dans le boîtier de sortie. Séparez les raccordements de fil blanc (neutre) et vert (mise à la terre) d'un côté du boîtier de sortie et les raccordements de fil noir (sous tension) de l'autre côté.

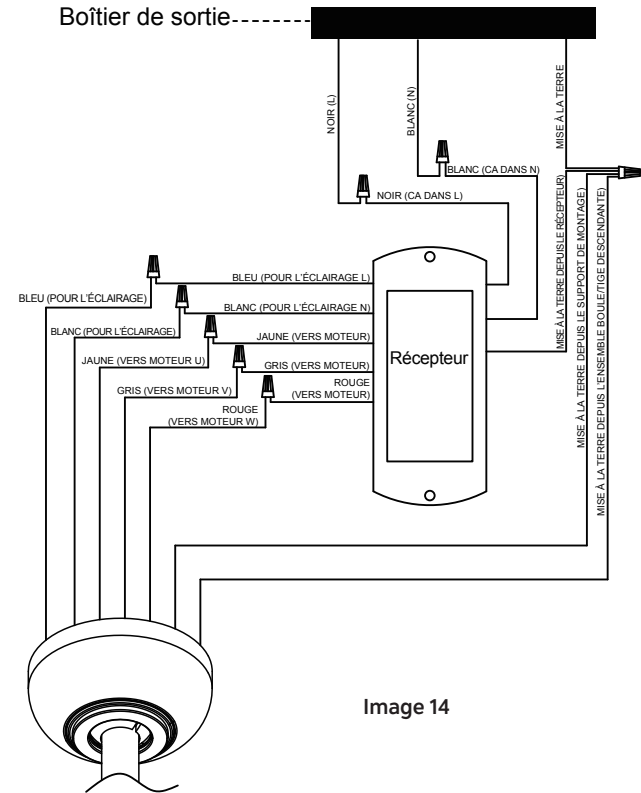


Image 14

FINITION DE L'INSTALLATION DU MOTEUR

ATTENTION : Avant de poursuivre l'installation, vérifiez que l'alimentation est toujours coupée au niveau du disjoncteur principal ou en retirant le fusible du circuit. La mise hors tension à l'aide d'un interrupteur mural ne suffit pas pour éviter les électrocutions.

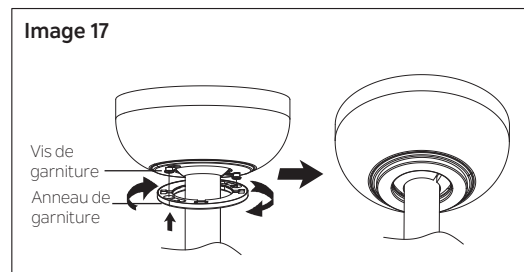
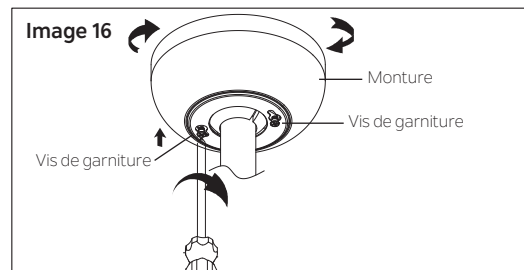
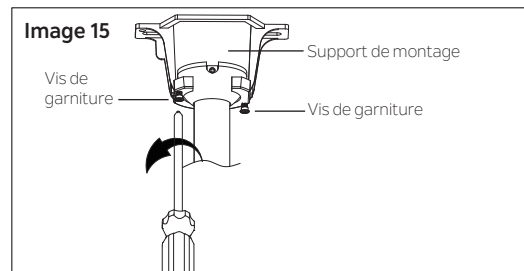
Étape 1. Desserrez les deux vis à épaulement au bas du support de montage (ne pas retirer). (Image 15)

Étape 2. Soulevez la garniture jusqu'au support de montage. Placez les fentes de trou de serrure dans la garniture sur les vis à épaulement du support de montage. Tournez la garniture (dans le sens des aiguilles d'une montre) jusqu'à ce qu'elle se verrouille en place contre les vis à épaulement (aux extrémités étroites des fentes de serrure). Serrez les deux vis à épaulement pour fixer la monture en place. (Image 16)

AVERTISSEMENT : Assurez-vous que la « languette de contrôle » au bas du support de montage au plafond est correctement positionnée dans la « fente d'enregistrement » sur le côté de la boule de suspension avant de fixer l'auvent au support de montage au plafond.

Étape 3. Soulevez l'anneau de finition de garniture jusqu'à la garniture. Placez les fentes de trou de serrure dans l'anneau de finition de garniture sur les têtes des vis à épaulement. Tournez l'anneau de finition de garniture (dans le sens horaire) jusqu'à ce qu'il se verrouille en place contre les vis à épaulement (aux extrémités étroites des fentes de serrure). (Image 17)

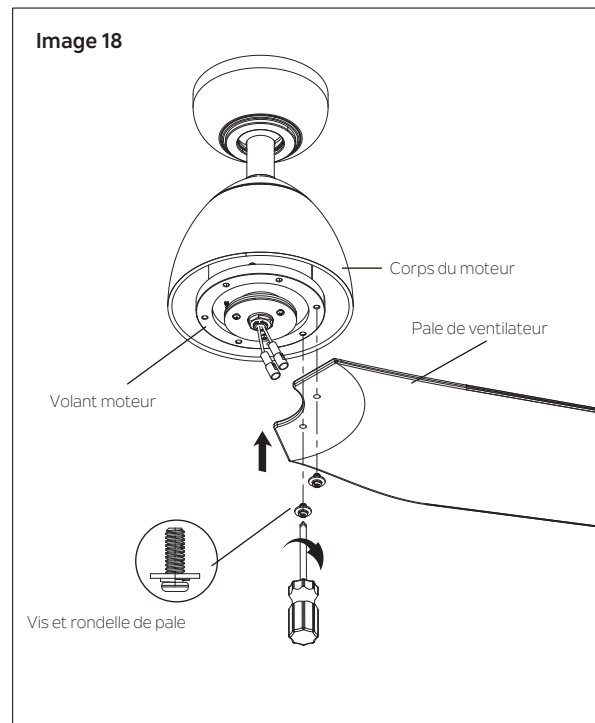
REMARQUE : Ajustez les vis de la garniture si nécessaire jusqu'à ce que la garniture et l'anneau de finition de garniture soient bien ajustés avec l'anneau. (Image 17)



FIXATION DES PALES DU VENTILATEUR

ATTENTION : Avant de poursuivre l'installation, vérifiez que l'alimentation est toujours coupée au niveau du disjoncteur principal ou en retirant le fusible du circuit. La mise hors tension à l'aide d'un interrupteur mural ne suffit pas pour éviter les électrocutions.

Étape 1. Alignez les trous des pales du ventilateur avec les trous du volant du moteur. Fixez les pales du ventilateur au volant avec les rondelles et les vis des pales fournies. Serrez pour fixer. **(Image 18)**



INSTALLATION DU COUVERCLE DÉCORATIF (EN L'ABSENCE D'INSTALLATION DU KIT D'ÉCLAIRAGE)

ATTENTION : Avant de poursuivre l'installation, vérifiez que l'alimentation est toujours coupée au niveau du disjoncteur principal ou en retirant le fusible du circuit. La mise hors tension à l'aide d'un interrupteur mural ne suffit pas pour éviter les électrocutions.

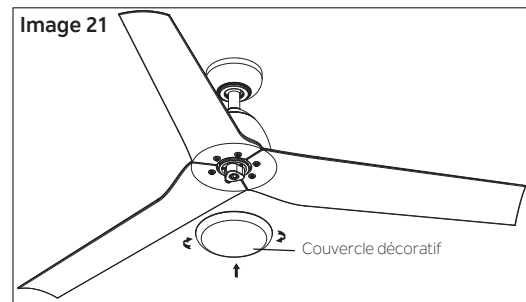
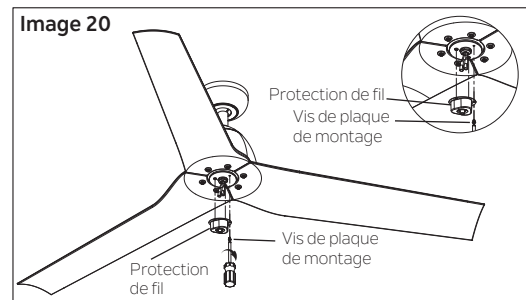
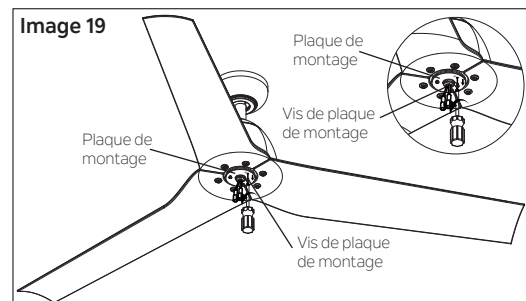
REMARQUE : Si vous installez le kit d'éclairage au lieu du couvercle décoratif, passez aux instructions « FIXATION DU KIT D'ÉCLAIRAGE » à la page suivante.

Étape 1. Retirez les trois vis de la plaque de montage. Conservez-les. **(Image 19)**

Étape 2. Soulevez la protection du fil en direction de la plaque de montage.

REMARQUE : Assurez-vous que tous les fils qui dépassent du centre de la plaque de montage sont à l'intérieur de la protection de fil. Alignez les trous de la protection du fil avec les trous de la plaque de montage, puis installez les trois vis de la plaque de montage, précédemment retirées, dans les trous alignés. Serrez les 3 vis de la plaque de montage pour fixer la protection du fil en place. **(Image 20)**

Étape 3. Placer le couvercle décoratif sur la protection du fil et tourner le couvercle décoratif (dans le sens horaire) pour le fixer à la protection de fil. **(Image 21)**



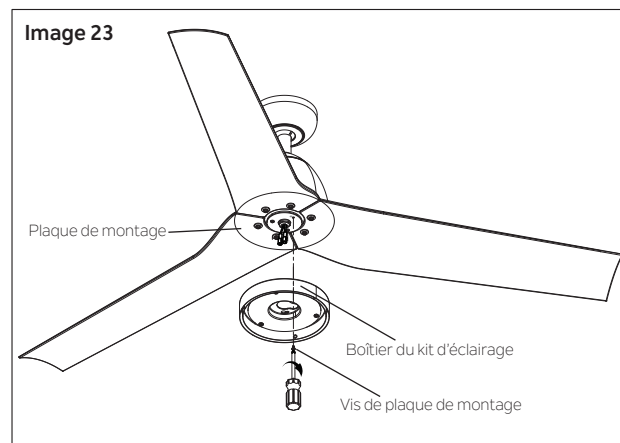
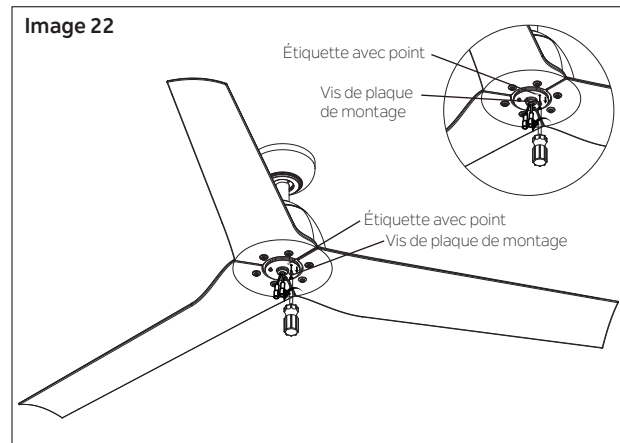
FIXATION DU KIT D'ÉCLAIRAGE (EN L'ABSENCE D'INSTALLATION DU COUVERCLE DÉCORATIF)

ATTENTION : Avant de poursuivre l'installation, vérifiez que l'alimentation est toujours coupée au niveau du disjoncteur principal ou en retirant le fusible du circuit. La mise hors tension à l'aide d'un interrupteur mural ne suffit pas pour éviter les électrocutions.

REMARQUE : Si vous installez le couvercle décoratif au lieu du kit d'éclairage, consultez les instructions « INSTALLATION DU COUVERCLE DÉCORATIF » à la page précédente.

Étape 1. étirez la vis de la plaque de montage marquée d'une étiquette à point brun. Conservez la vis de la plaque de montage. Desserrez les deux autres vis (ne les retirez pas). (Image 22)

Étape 2. Placez les fentes en trou de serrure dans le couvercle du kit d'éclairage sur les 2 vis qui ont été desserrées sur la plaque de montage. Faites tourner le boîtier de kit d'éclairage (dans le sens horaire) jusqu'à ce qu'il s'enclenche contre les vis de la plaque de montage aux extrémités étroites des fentes en trou de serrure. Alignez le trou restant dans le boîtier du kit d'éclairage avec le trou restant de la plaque de montage. Installez la vis de la plaque de montage qui a été retirée de la plaque de montage dans les trous alignés. Serrez les trois vis de plaque de montage pour fixer le boîtier de kit d'éclairage en place. (Image 23)



FIXATION DU KIT D'ÉCLAIRAGE (suite)

Étape 1. Remove one of the light kit housing screws from the outer edge of the light kit housing. Retain light kit housing screw. Loosen the other two light kit housing screws (do not remove). **(Image 24)**

Étape 2. Tenez le kit d'éclairage près du boîtier du kit d'éclairage. **(Image 25)**

Raccordez le fil BLANC du kit d'éclairage au fil BLANC du ventilateur en poussant les connecteurs de fil ensemble.

Raccordez le fil NOIR du kit d'éclairage au fil NOIR du ventilateur en poussant les connecteurs de fil ensemble.

Étape 3. Rentrez soigneusement les raccordements dans le boîtier du kit d'éclairage. Placez les fentes de trou de serrure du kit d'éclairage sur les deux vis qui ont été desserrées du boîtier de kit d'éclairage. Faites tourner le kit d'éclairage (dans le sens horaire) jusqu'à ce qu'il se bloque contre les vis du boîtier du kit d'éclairage aux extrémités étroites des fentes en trou de serrure. Alignez le trou restant du kit d'éclairage avec le trou restant du boîtier. Installez les vis qui ont été retirées du boîtier du kit d'éclairage dans les trous alignés. Serrez les trois vis pour fixer le kit d'éclairage en place. **(Image 25)**

Image 24

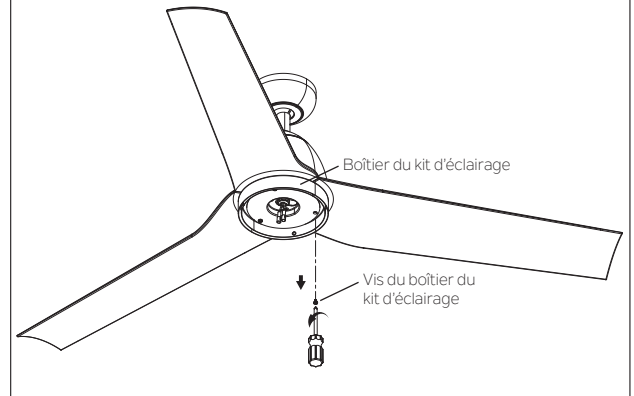
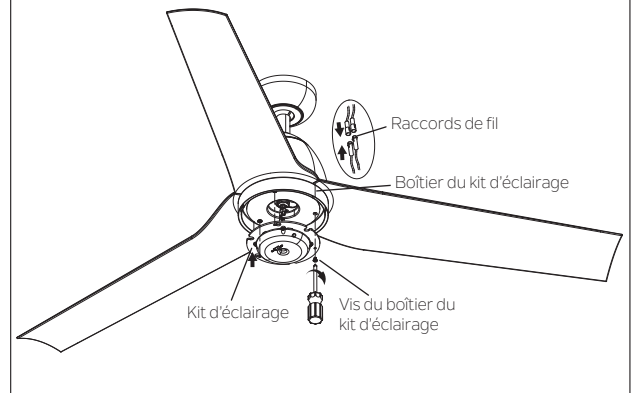


Image 25



INSTALLATION DE L'ABAT-JOUR DU KIT D'ÉCLAIRAGE

ATTENTION : Avant de poursuivre l'installation, vérifiez que l'alimentation est toujours coupée au niveau du disjoncteur principal ou en retirant le fusible du circuit. La mise hors tension à l'aide d'un interrupteur mural ne suffit pas pour éviter les électrocutions.

Étape 1. Soulevez soigneusement l'abat-jour du kit d'éclairage jusqu'au ventilateur et stabilisez-le contre le kit d'éclairage. Tournez soigneusement l'abat-jour du kit d'éclairage (dans le sens horaire) jusqu'à ce qu'il se verrouille en place dans le kit d'éclairage.

NE SERREZ PAS TROP. (Image 26)

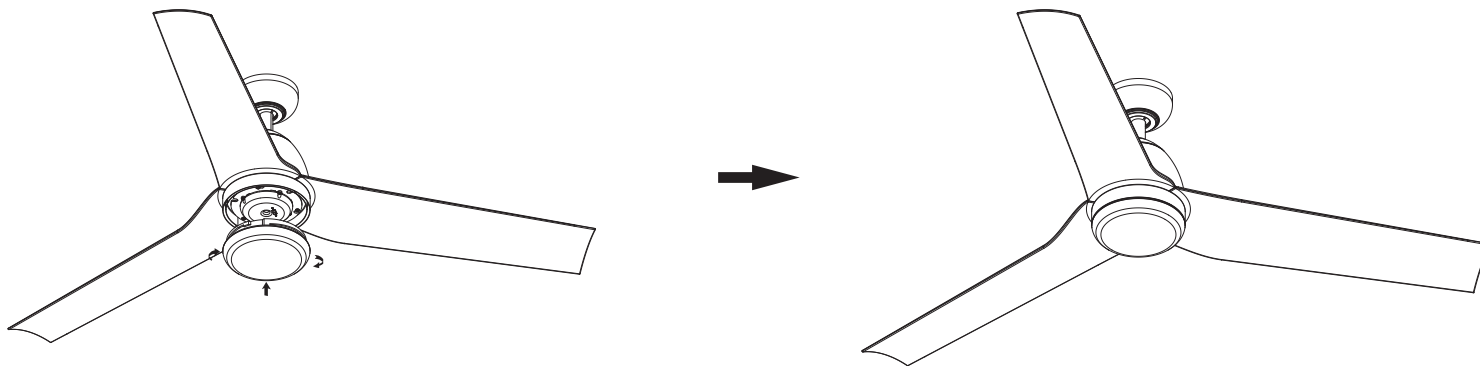


Image 26

INSTRUCTIONS D'UTILISATION

INSTALLATION DE LA PLAQUE MURALE DE L'ÉMETTEUR COOLTOUCH

AVERTISSEMENT : Tout le câblage doit être conforme au National Electrical Code et aux codes électriques locaux. L'installation électrique doit être effectuée par un électricien qualifié et agréé.

Sélectionnez un emplacement pour installer votre plaque murale CoolTouch™. Vous pouvez remplacer un interrupteur mural existant ou installer la plaque murale sur N'IMPORTE QUELLE surface plane.

Option 1 : Installez la plaque murale en utilisant un boîtier de sortie d'interrupteur mural existant.

ATTENTION : L'installation de l'interrupteur doit être conforme à tous les codes électriques locaux et nationaux. Assurez-vous que l'alimentation électrique est **COUPÉE** au niveau du panneau principal avant de continuer.

Étape 1. Retirez la plaque murale existante et l'ancien interrupteur de la boîte de sortie murale. Raccordez les fils NOIR (sous tension) ensemble et repoussez-les à l'intérieur du boîtier de sortie. **(Image 27)**

Étape 2. Installez la plaque métallique et la plaque murale CoolTouch™ sur le boîtier de sortie de prise murale existant avec les 2 vis fournies. Insérez les deux fiches en plastique dans la plaque murale. **(Image 28)**

Option 2: Installez la plaque murale sur N'IMPORTE QUELLE surface plane.

Étape 1. Sélectionnez l'emplacement souhaité et utilisez la plaque murale CoolTouch™ pour marquer l'emplacement des trous de montage.

Étape 2. Utilisez les ancrages pour cloison sèche et les vis fournies pour terminer l'installation.

INSTALLATION DE L'ÉMETTEUR

Étape 1. Insérez l'émetteur dans la plaque murale en insérant d'abord le bas de l'émetteur, puis en enfonçant le haut de l'émetteur dans la poche. L'émetteur fonctionnera entièrement à cet endroit, et vous pouvez aussi le retirer et l'utiliser comme dispositif portatif. **(Image 29)**

Étape 2. Pour retirer l'émetteur de la plaque murale, appuyez sur le bouton de déverrouillage et l'émetteur tombera dans votre main.

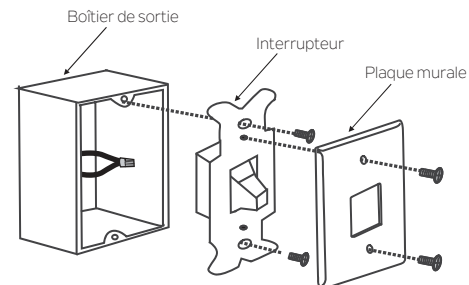


Image 27

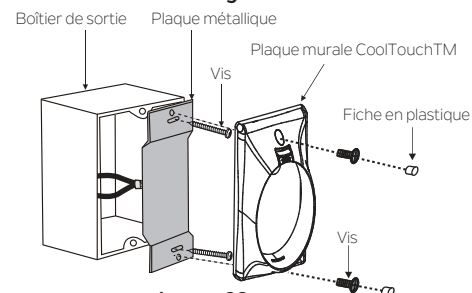


Image 28

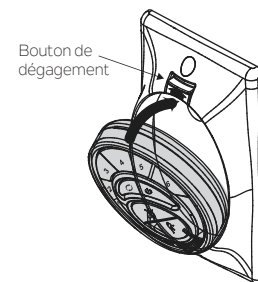


Image 29

MODE D'EMPLOI (SUITE)

INSTALLATION DES PILES DE L'ÉMETTEUR

! **AVERTISSEMENT** : Risque de brûlure chimique. Gardez les piles hors de portée des enfants.

Ce produit contient une pile bouton au lithium.

Si une pile bouton au lithium neuve ou usagée est avalée ou pénètre dans le corps, elle peut provoquer de graves brûlures internes et entraîner la mort en moins de 2 heures.

Sécurisez toujours complètement le compartiment des piles. Si le compartiment des piles ne se ferme pas correctement, arrêtez d'utiliser le produit, retirez les piles et tenez-le hors de portée des enfants. Si vous pensez que des piles ont été avalées ou placées à l'intérieur d'une partie du corps, consultez immédiatement un médecin.

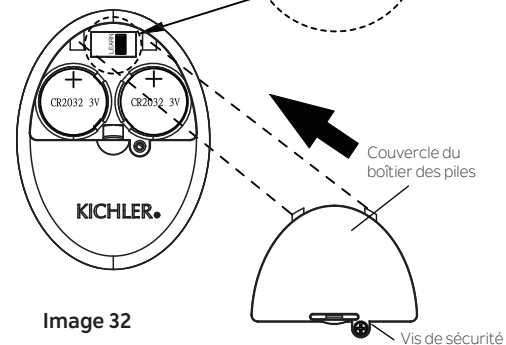
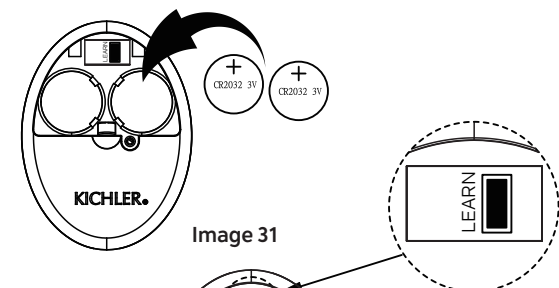
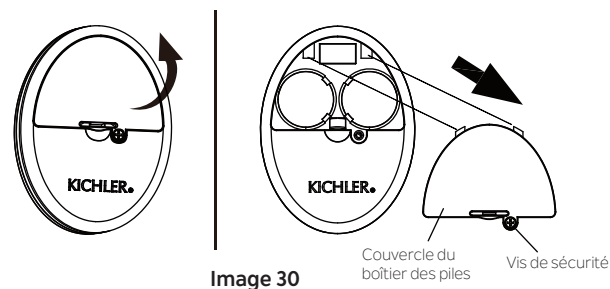
- a) Les piles boutons doivent être éliminées de manière appropriée et doivent être maintenues hors de portée des enfants;
- b) Même les piles boutons usagées peuvent causer des blessures.

Étape 1. Retirez la vis de sécurité et le couvercle du boîtier de la pile de l'arrière de l'émetteur. Conservez la vis de sécurité. (Image 30)

Étape 2. Installez deux piles 3V CR2032 (incluses) avec le côté + vers le haut. (Image 31)

Étape 3. Réinstallez le couvercle du boîtier de la pile et la vis de sécurité sur l'arrière de l'émetteur.

REMARQUE : Si elles ne sont pas utilisées pendant de longues périodes (plusieurs mois), retirez les piles pour éviter d'endommager la télécommande. Rangez la télécommande à l'abri d'une chaleur ou d'une humidité excessive.



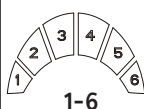




MODE D'EMPLOI (SUITE)

JUMELAGE D'UN ÉMETTEUR AU VENTILATEUR

REMARQUE : Veuillez conserver cette page au cas où une reprogrammation serait nécessaire à l'avenir ou si une télécommande supplémentaire est ajoutée.

FONCTIONNEMENT DE L'ÉMETTEUR

Les boutons contrôlent la vitesse et l'éclairage du ventilateur comme suit : (Image 33)

	Boutons de contrôle de la vitesse du ventilateur : 1 est la vitesse la plus faible et 6 est la vitesse la plus élevée. Appuyez sur l'un des boutons pour démarrer le ventilateur à la vitesse correspondante ou pour changer de vitesse.
	Bouton ARRÊT : Appuyer une fois pour arrêter le ventilateur.
	Bouton Reverse (inversion) : Pendant que le ventilateur est en marche, appuyez une fois sur le bouton d'inversion et le ventilateur inversera la direction.
	Bouton d'éclairage : Appuyez une fois pour allumer ou éteindre la lumière. Maintenez enfoncé pour faire varier l'intensité de l'éclairage au niveau souhaité, puis relâchez..
	Bouton d'éclairage : Appuyez une fois pour allumer ou éteindre la lumière. Maintenez enfoncé pour faire varier l'intensité de l'éclairage au niveau souhaité, puis relâchez.

REMARQUE : Votre émetteur a été jumelé au récepteur de votre ventilateur en sortie d'usine. Aucun autre jumelage ou changement de fréquence n'est nécessaire. Cependant, vous devrez peut-être jumeler manuellement un émetteur au récepteur de votre ventilateur :

- Si vous installez un ventilateur supplémentaire et souhaitez contrôler tous les ventilateurs avec le même émetteur
- Si le ventilateur ne répond pas à l'émetteur.

REMARQUE : Tout d'abord, assurez-vous que les piles de l'émetteur sont encore chargées (lorsqu'un bouton est enfoncé sur l'émetteur, le rétroéclairage de l'émetteur s'allumera si les piles sont encore chargées).

- Après avoir remplacé un émetteur ou un récepteur défectueux par un neuf.

Pour jumeler manuellement un émetteur à un récepteur, procédez comme suit :

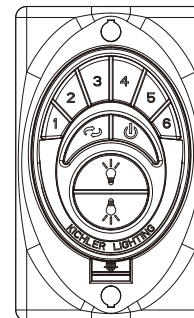


Image 33

AVERTISSEMENT : Assurez-vous que l'alimentation est complètement coupée avant de commencer ce processus.

IMPORTANT : Le moteur et les pales du ventilateur doivent être installés avant que la procédure de jumelage puisse commencer.

Étape 1. Retirez la vis de sécurité et le couvercle du boîtier de la pile de l'arrière de l'émetteur. Conservez la vis de sécurité.

Étape 2. Rétablissez l'énergie dans le circuit de dérivation du ventilateur de plafond au niveau du disjoncteur ou de la boîte à fusibles. Dans les 30 secondes suivant le rétablissement de l'énergie, appuyez sur le bouton LEARN (apprentissage) situé à l'arrière de l'émetteur (Image 32) et maintenez-le enfoncé pendant 3 secondes. Le voyant du ventilateur (si installé) clignotera deux fois et le ventilateur commencera à tourner à faible vitesse. Cela confirme que le processus de jumelage est terminé. L'émetteur sera maintenant jumelé à votre ventilateur et prêt à être utilisé.

Étape 3. Essayez différents réglages de vitesse sur la commande murale pour vous assurer que le ventilateur est maintenant entièrement fonctionnel. Si la programmation échoue, coupez complètement l'alimentation, puis réessayez l'étape 2.

Étape 4. Réinstallez le couvercle du boîtier de la pile et la vis de sécurité sur l'arrière de l'émetteur.

MODE D'EMPLOI (SUITE)

Pour activer la fonction d'inversion sur ce ventilateur, appuyez sur le bouton « Reverse » (Inversion) sur l'émetteur pendant que le ventilateur fonctionne.

Fonctionnement par temps chaud : En avant (les pales du ventilateur tournent dans le sens antihoraire). Un flux d'air descendant crée un effet rafraîchissant (**Image 34**).

Cela vous permet de régler votre climatiseur sur un réglage plus chaud sans affecter votre confort général.

Fonctionnement par temps frais : Sens inversé, les pales du ventilateur tournent dans le sens horaire. Un flux d'air ascendant évacue l'air chaud des zones du plafond (**Image 35**).

Cela vous permet de régler votre unité de chauffage sur un réglage plus froid sans affecter votre confort général.

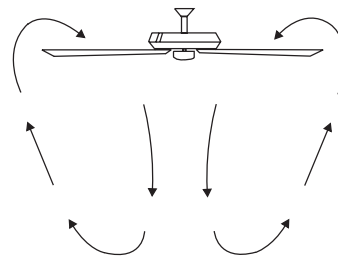


Image 34

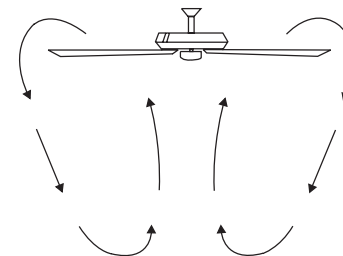


Image 35

DÉPANNAGE

Problème

Solution

Le ventilateur ne démarre pas.

1. Vérifiez les fusibles ou les disjoncteurs.
2. Vérifiez tous les raccordements électriques pour assurer un bon contact. **ATTENTION : Assurez-vous que l'alimentation principale est coupée lors de la vérification de tout raccordement électrique.**
3. Assurez-vous que les piles de l'émetteur sont correctement installées, avec le + vers le haut.
4. Assurez-vous que les piles sont encore chargées (lorsqu'un bouton est enfoncé sur l'émetteur, le rétroéclairage de l'émetteur s'allumera si les piles sont encore chargées).

Le ventilateur fait du bruit.

1. Assurez-vous que toutes les vis du boîtier du moteur sont bien serrées.
2. Assurez-vous que les vis qui fixent les supports des pales du ventilateur au moteur sont bien serrées.
3. Assurez-vous que les raccords des écrous métalliques ne frottent pas les uns contre les autres ou contre la paroi intérieure du boîtier de l'interrupteur.
ATTENTION : Assurez-vous que l'alimentation principale est coupée.
4. Prévoyez une période de « rodage » de 24 heures. La plupart des bruits associés à un nouveau ventilateur disparaissent pendant cette période.
5. Si vous utilisez un kit d'éclairage en option, assurez-vous que les vis fixant la verrerie sont bien serrées. Assurez-vous que les ampoules ne touchent aucun autre composant.
6. Ne connectez pas ce ventilateur à une ou plusieurs commandes de vitesse variable fixées au mur. Ils ne sont pas compatibles avec les moteurs de ventilateurs de plafond ou les télécommandes.
7. Assurez-vous que l'auvent supérieur est à une courte distance du plafond. Elle ne doit pas toucher le plafond.

L'éclairage ne fonctionne pas.

1. Pour vérifier s'il y a des raccords de fils desserrés entre le kit d'éclairage à DEL et le ventilateur :
Coupez l'électricité du circuit de dérivation au niveau du boîtier à fusibles ou du panneau du disjoncteur, puis vérifiez la bonne installation des raccords électriques de l'ensemble de luminaire à DEL.
2. Pour réinitialiser l'émetteur : 1) Coupez l'alimentation du ventilateur à l'aide de l'interrupteur mural ou du disjoncteur.
2) Retirez les piles de l'émetteur. 3) Attendez 10 secondes. 4) Remplacez les piles dans l'émetteur, puis rétablissez l'alimentation du ventilateur.

DÉPANNAGE (suite)

Problème

Solution

Le ventilateur vacille.

1. Vérifiez que toutes les vis de la pale et du bras de pale sont bien fixées.
2. La plupart des problèmes d'oscillation du ventilateur sont causés lorsque les niveaux des pales sont inégaux. Vérifiez ce niveau en sélectionnant un point sur le plafond au-dessus de la pointe de l'une des pales. Mesurez cette distance. Faites tourner le ventilateur jusqu'à ce que la pale suivante soit positionnée pour la mesure. Répétez pour chaque pale. L'écart de distance doit être égal à 1/8".
3. Si l'oscillation de la pale est toujours perceptible, interchanger deux pales adjacentes (côte à côte) peut redistribuer le poids et éventuellement entraîner un fonctionnement plus fluide.

Dysfonctionnement de la télécommande.

1. Les ventilateurs de plafond équipés de systèmes de télécommande **NE PEUVENT PAS** être utilisés avec un autre système de commande **SAUF** un interrupteur mural marche/arrêt de base si vous le souhaitez.

AVERTISSEMENT : POUR RÉDUIRE LES RISQUES DE BLESSURES CORPORELLES ET POUR ASSURER LE BON FONCTIONNEMENT DE VOTRE VENTILATEUR DE PLAFOND. NE JAMAIS FIXER LES ASSEMBLAGES DE PALE AVANT QUE LE VENTILATEUR DE PLAFOND N'AIT ÉTÉ MONTÉ AU PLAFOND. NE PLIEZ PAS LES PALES PENDANT L'INSTALLATION, L'ÉQUILIBRAGE OU LE NETTOYAGE DU VENTILATEUR. NE PAS INSÉRER D'OBJETS ÉTRANGERS ENTRE LES PALES DU VENTILATEUR EN ROTATION.

INFORMATION FCC

Cet appareil est conforme aux exigences de la section 15 du règlement de la FCC. Fonctionnement assujéti aux deux (2) conditions d'utilisation suivantes :

- 1) Cet appareil ne doit pas provoquer d'interférences nuisibles, et
- 2) Cet appareil doit accepter tous les brouillages reçus, y compris ceux pouvant causer un fonctionnement indésirable.

Remarque : Cet équipement a été testé et déclaré conforme aux limites d'un appareil numérique de classe B, conformément à la partie 15 des règles FCC. Ces limites sont conçues pour fournir une protection raisonnable contre les interférences nuisibles dans une installation résidentielle. Cet équipement génère, utilise et peut émettre de l'énergie radiofréquence et, s'il n'est pas installé et utilisé conformément aux instructions, peut provoquer des interférences nuisibles aux communications radio. Cependant, il n'y a aucune garantie que des interférences ne se produiront pas dans une installation particulière. Si cet équipement provoque des interférences nuisibles à la réception de la radio ou de la télévision, ce qui peut être déterminé en éteignant et en rallumant l'équipement, l'utilisateur est encouragé à essayer de corriger les interférences par une ou plusieurs des mesures suivantes :

- Réorientez ou déplacez l'antenne de réception.
- Augmentez l'espace entre l'équipement et le récepteur.
- Branchez l'équipement à une prise sur un circuit différent de celui auquel le récepteur est raccordé.
- Consultez le revendeur ou un technicien radio/TV expérimenté pour obtenir de l'aide.

KICHLER®

www.kichler.com

KICHLER LIGHTING LLC

30455 Solon Rd.

Solon, Ohio 44139 USA.

SERVICE À LA CLIENTÈLE 866.558.5706

8 h à 17 h EST, DU LUNDI AU VENDREDI

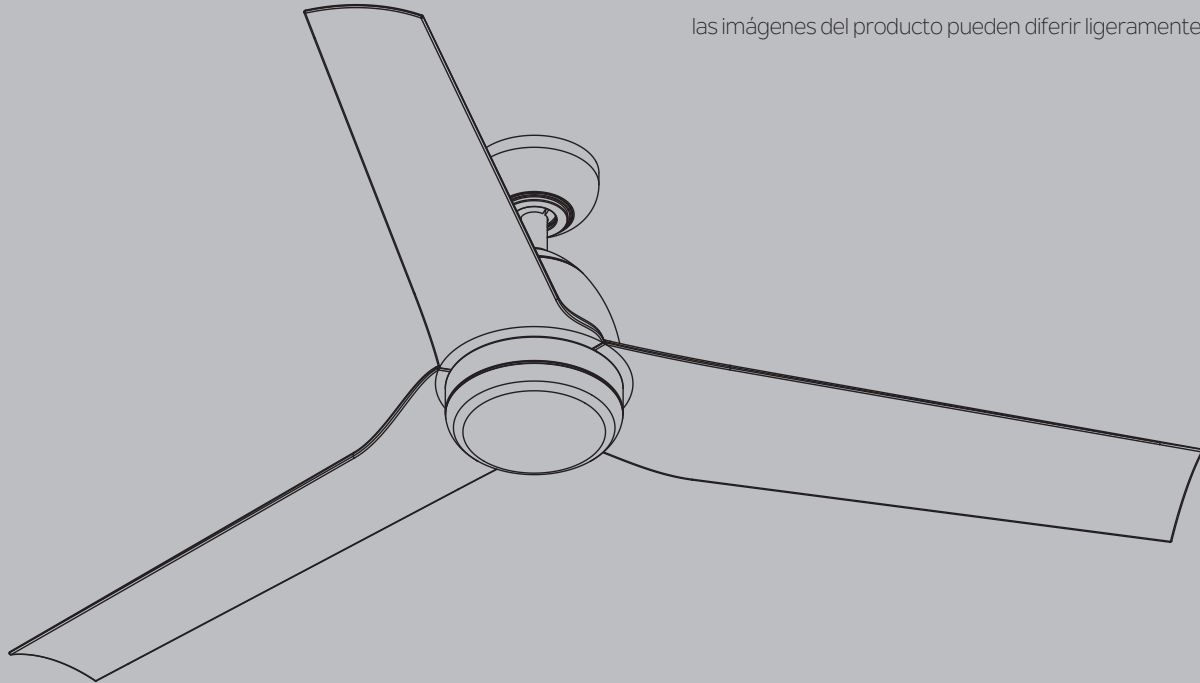
RÉV. 14-NOV-2023

© Kichler Lighting LLC. Tous droits réservés.

KICHLER®

Fit de 137.2 cm (54 in)

las imágenes del producto pueden diferir ligeramente del producto real.



LEA Y GUARDE ESTAS INSTRUCCIONES

MANUAL DE INSTRUCCIONES
Número de modelo 310254

ÍNDICE

NORMAS DE SEGURIDAD	4	INSTALACIÓN DE LAS ASPAS DEL VENTILADOR	14
HERRAMIENTAS NECESARIAS	6	INSTALACIÓN DE LA TAPA DECORATIVA	15
CONTENIDO DEL PAQUETE	6	INSTALACIÓN DEL KIT DE LUZ	16
OPCIONES DE MONTAJE	7	INSTALACIÓN DE LA PANTALLA DEL KIT DE LUZ	18
CÓMO COLGAR EL VENTILADOR	8	INSTRUCCIONES DE FUNCIONAMIENTO	19
INSTALACIÓN DE SOPORTE DE SEGURIDAD	10	RESOLUCIÓN DE PROBLEMAS	23
CONEXIONES ELÉCTRICAS	11	INFORMACIÓN DE LA FCC	25
FINALIZACIÓN DE LA INSTALACIÓN DEL MOTOR	13		

NORMAS DE SEGURIDAD

ADVERTENCIA: PARA CANADÁ, ESTE VENTILADOR DEBE FIJARSE DIRECTAMENTE A LA ESTRUCTURA DEL EDIFICIO/VIGA DEL TECHO. NO ASEGURE ESTE VENTILADOR A UNA CAJA DE SALIDA.

- 1. PRECAUCIÓN: RIESGO DE DESCARGA ELÉCTRICA:**
Desconecte la energía en el panel principal de disyuntores o en la caja de fusibles principal antes de comenzar y durante la instalación.
- 2. ADVERTENCIA:** Todo el cableado debe instalarse de acuerdo con el Código Eléctrico Nacional 70 del Instituto Nacional Estadounidense de Estándares (American National Standards Institute, ANSI)/la Asociación Nacional de Protección contra Incendios (National Fire Protection Association, NFPA) y los códigos eléctricos locales. La instalación eléctrica debe ser realizada por un electricista calificado.
- 3. ADVERTENCIA:** Para reducir el riesgo de descarga eléctrica, este ventilador debe instalarse con un interruptor/control de pared aislante de uso general.
- 4. ADVERTENCIA:** No apto para usarse con controles de velocidad de estado sólido.
- 5. ADVERTENCIA:** Para reducir el riesgo de incendio, descarga eléctrica u otras lesiones personales, monte el ventilador en la caja de salida marcada como “Apta para soporte de ventilador de 15.9 kg (35 lb) o menos” y use los tornillos de montaje proporcionados con la caja de salida. La mayoría de las cajas de salida comúnmente usadas para sujetar accesorios de iluminación no son aptas para sostener ventiladores y se deben reemplazar. Debido a la complejidad de la instalación de este ventilador, se recomienda enfáticamente la intervención de un electricista calificado con licencia.
- 6.** La caja de salida y la estructura de soporte deben estar montadas de manera segura y ser capaces de soportar de manera confiable un mínimo de 15.9 kg (35 libras). Use solo cajas de salida con certificación cULus y marcadas como “Apta para soporte de ventilador de 15.9 kg (35 lb) o menos”.
- 7.** El ventilador debe montarse con un espacio libre mínimo de 2.1 m (7 pies) desde el borde posterior de las aspas hasta el suelo.
- 8.** Para operar la función de reversa de este ventilador, presione el botón “Reversa” en el transmisor mientras el ventilador está funcionando.
- 9.** Evite colocar objetos en el camino de las aspas.
- 10. ADVERTENCIA:** asegúrese de que la corriente esté desconectada.

NORMAS DE SEGURIDAD

11. Para evitar lesiones personales o daños al ventilador y otros elementos, tenga cuidado cuando trabaje alrededor del ventilador o cuando lo limpie.
12. No use agua ni detergentes para limpiar el ventilador ni las aspas del ventilador. Un paño seco para el polvo o un paño ligeramente humedecido será adecuado para la mayor parte de la limpieza.
13. Después de realizar las conexiones eléctricas, los conductores empalmados deben girarse hacia arriba y empujarse con cuidado hacia la caja de salida. Los cables deben separarse con el conductor puesto a tierra, y el conductor de puesta a tierra del equipo en un lado de la caja de salida, y el conductor sin puesta a tierra en el otro lado de la caja de salida.
14. Los diagramas eléctricos son solo para fines de referencia. Los kits de luz que no vengan empaquetados con el ventilador deben tener la certificación cULus y estar marcados como aptos para usarse con el modelo de ventilador que está instalando. Los interruptores deben ser interruptores de uso general con certificación cULus. Consulte las instrucciones que vienen con los kits de luz e interruptores para un montaje adecuado.
15. Todos los tornillos de fijación deben revisarse y volverse a apretar cuando sea necesario antes de la instalación.

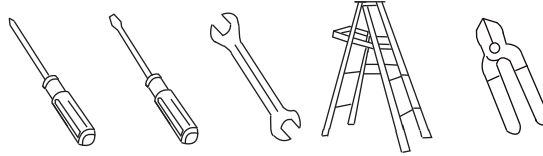
16. Peso neto: 6.3 KG (13.89 LB)/peso bruto: 7.4 KG (16.31 LB)

ADVERTENCIA

PARA REDUCIR EL RIESGO DE LESIONES PERSONALES.
NO DOBLE LAS ASPAS DURANTE EL MONTAJE O
DESPUÉS DE LA INSTALACIÓN.
NO INTRODUZCA OBJETOS EN EL CAMINO DE LAS ASPAS.

HERRAMIENTAS Y MATERIALES REQUERIDOS

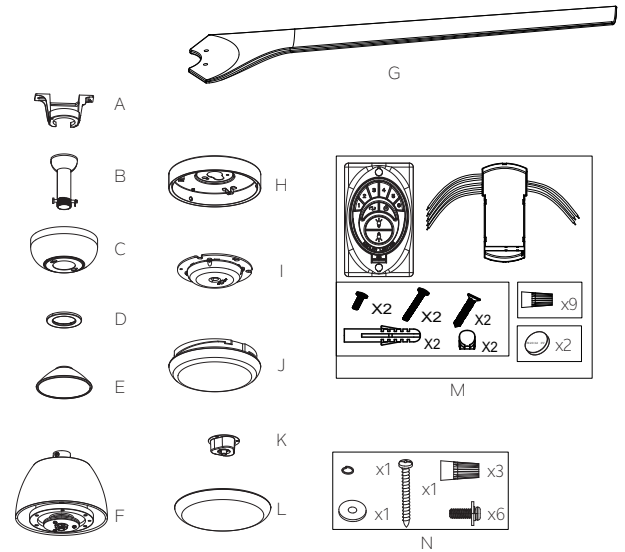
- Destornillador Phillips
- Destornillador plano
- Llave de 11 mm
- Escalera de tijera
- Cortadores de alambre



CONTENIDO DEL PAQUETE

Desempaque su ventilador y verifique el contenido. Debería tener los siguientes elementos:

- | | |
|--|--|
| A. Soporte de montaje | M. Transmisor |
| B. Conjunto de bola/
varilla de extensión | Transmisor (TRD250K3M) (1) |
| C. Florón | Receptor (1) |
| D. Anillo de ajuste del florón | Baterías (2) |
| E. Cubierta de acoplamiento | Conectores de cables (9) |
| F. Cuerpo del motor | N. Accesorios del paquete |
| G. Aspas del ventilador (3) | 1) Accesorios de montaje: |
| H. Carcasa del kit de luz | Conectores de cables (3) |
| I. Kit de luz | 2) Accesorios para instalación de las aspas: |
| J. Pantalla del kit de luz | Tornillos (y arandelas) de montaje |
| K. Cubierta de los cables | de las aspas del ventilador (6) |
| L. Tapa decorativa | 3) Accesorios del cable de seguridad: |
| | Tornillo para madera (1), arandela de |
| | presión (1), arandela plana (1) |



OPCIONES DE MONTAJE

Si no existe una caja de montaje con certificación UL (cUL para la instalación en Canadá), lea las siguientes instrucciones. Desconecte la energía quitando los fusibles o apagando los disyuntores.

Fije la caja de salida directamente a la estructura del edificio. Utilice sujetadores y materiales de construcción adecuados. La caja de salida y su soporte deben poder soportar completamente el peso total del ventilador (hasta 15.9 kg [35 libras]). No utilice cajas de salida de plástico.

Las figuras 1, 2 y 3 son ejemplos de diferentes formas de montar la caja de salida.

NOTA: Si está instalando el ventilador de techo en un techo inclinado (abovedado), es posible que necesite una varilla de extensión más larga para mantener el espacio adecuado entre la punta del aspa y el techo. Se sugiere un espacio libre mínimo de 30.5 cm (12 in) para un funcionamiento óptimo.

NOTA: Según la ubicación que haya seleccionado para la instalación, es posible que deba comprar e instalar un “estribo para viguetas” para el soporte de la caja de salida. Asegúrese de que el estribo para viguetas que compre haya sido diseñado para usarse con ventiladores de techo. (Figura 4)

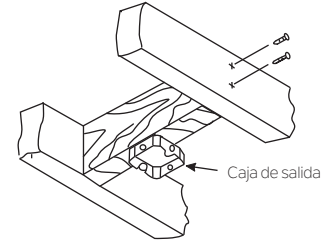


Figura 1

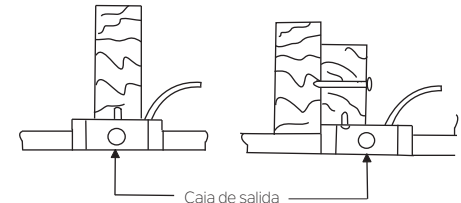


Figura 2

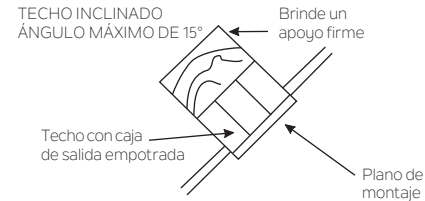


Figura 3

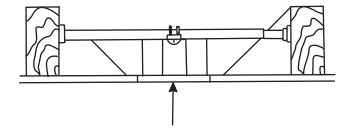


Figura 4

CÓMO COLGAR EL VENTILADOR

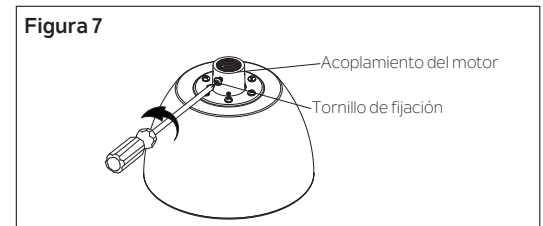
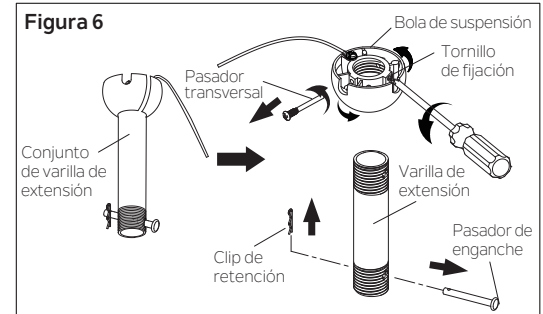
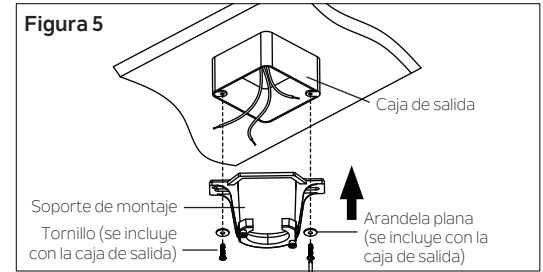
PRECAUCIÓN: Para evitar posibles descargas eléctricas, asegúrese de haber desconectado la energía en el panel del circuito principal.

RECUERDE desconectar la energía antes de comenzar la instalación. Esto es necesario para su seguridad y también para la programación adecuada del sistema de control. Para instalar correctamente su ventilador de techo, siga los pasos a continuación.

Paso 1. Antes de conectar el ventilador a la caja de salida (no incluida), asegúrese de que la caja de salida esté bien sujeta a al menos dos puntos de un miembro estructural del techo (una caja suelta hará que el ventilador oscile). Pase los cables de suministro de 120 voltios desde la caja de salida del techo a través del centro del soporte de montaje en el techo. Instale el soporte de montaje en la caja de salida en el techo usando los tornillos y las arandelas incluidos con la caja de salida. (Figura 5)

Paso 2. Retire el clip de retención y el pasador de enganche del conjunto de varilla de extensión. Retire la bola de suspensión del conjunto de varilla de extensión aflojando el tornillo de fijación de la bola de suspensión (no lo retire), desatornillando y quitando el pasador transversal y desatornillando la bola de suspensión (en sentido contrario a las manecillas del reloj) de la varilla. (Figura 6)

Paso 3. Afloje los dos tornillos de fijación (no los retire) en el acoplamiento del motor. (Figura 7)



CÓMO COLGAR EL VENTILADOR (continuación)

Paso 4. Pase con cuidado los cables del ventilador y el cable de seguridad hacia arriba a través de la varilla de extensión. Enrosque la varilla de extensión en el acoplamiento del motor hasta que los orificios del pasador de enganche estén alineados. A continuación, vuelva a colocar el pasador de enganche y el clip de retención.

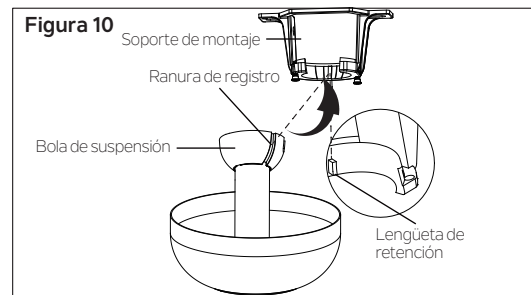
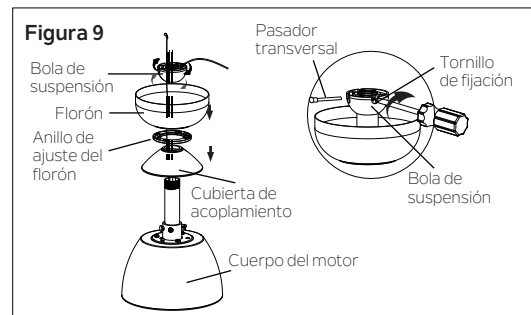
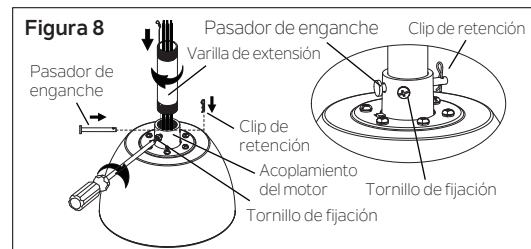
NOTA: Tenga cuidado de no atascar el pasador de enganche con el cableado dentro de la varilla de extensión. Apriete ambos tornillos de fijación. (Figura 8)

Paso 5. Deslice la cubierta de acoplamiento, el anillo de ajuste del florón (el lado con el acabado liso queda orientado hacia el cuerpo del motor) y el florón sobre la varilla de extensión. Vuelva a instalar con cuidado la bola de suspensión en la varilla de extensión. Vuelva a instalar con cuidado el pasador transversal a través de la bola de suspensión y la varilla de extensión.

NOTA: Tenga cuidado de no atascar el pasador transversal con el cableado dentro de la varilla de extensión. Asegúrese de que el pasador transversal esté en la posición correcta. Apriete el pasador transversal. Apriete el tornillo de fijación de la bola de suspensión. Asegúrese de que los cables no estén torcidos. (Figura 9)

Paso 6. Levante el cuerpo del motor para colocarlo en su posición y coloque la bola de suspensión en el soporte de montaje. Gire todo el conjunto hasta que la “lengüeta de retención” haya caído en la “ranura de registro” y se asiente firmemente. (Figura 10) Si esto se hace correctamente, todo el cuerpo del motor no debe girar.

ADVERTENCIA: Si no vuelve a colocar el pasador transversal y asienta la “lengüeta de retención”, el ventilador puede caerse del techo durante el funcionamiento. Tenga especial cuidado para asegurarse de que este pasador se vuelva a colocar.



INSTALACIÓN DE SOPORTE DE SEGURIDAD (ÚNICAMENTE es necesario para la instalación en Canadá)

Se proporciona un cable de soporte de seguridad para ayudar a evitar que el ventilador de techo se caiga; instálelo de la siguiente manera.

Paso 1. Deslice la arandela de presión, luego la arandela plana sobre el tornillo para madera, luego introduzca el tornillo para madera en el lado del soporte que sostiene la caja de salida. Deje 3 mm (1/8 in) de espacio entre el soporte de apoyo y la arandela plana. (Figura 11)

Paso 2. Inserte el cable de seguridad a través del soporte de montaje y uno de los orificios de la caja de salida en el techo. Tire del cable adicional a través de la abrazadera del cable para ajustar la longitud del cable de seguridad para alcanzar el tornillo para madera y la arandela plana hasta que la longitud total sea adecuada, vuelva a colocar el extremo del cable a través de la abrazadera del cable, formando un lazo en el extremo del cable. Apriete firmemente la abrazadera del cable. Ahora, coloque el lazo en el extremo del cable de seguridad sobre el tornillo para madera y debajo de la arandela plana. Apriete firmemente el tornillo para madera. (Figura 12)

NOTA: Aunque el cable de soporte de seguridad se requiere solo para instalaciones en Canadá, es recomendable hacer esta conexión en cualquier instalación.

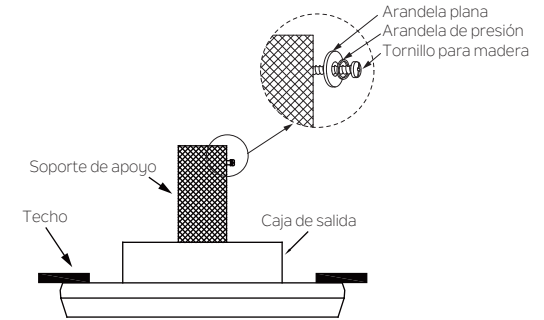


Figura 11

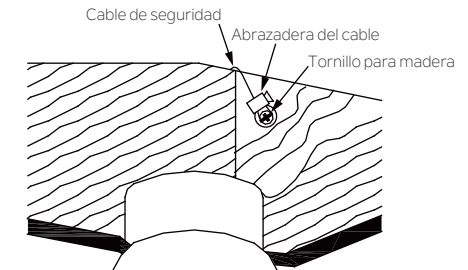


Figura 12

CONEXIONES ELÉCTRICAS

PRECAUCIÓN: Para evitar posibles descargas eléctricas, asegúrese de haber desconectado la energía en el panel del circuito principal.

Paso 1. Inserte el receptor en el soporte de montaje en el techo con el lado plano del receptor orientado hacia el techo (**Figura 13**) para un mejor rendimiento, asegúrese de que el cable negro de la antena (en el extremo del receptor) permanezca extendido y no se enrede con los cables eléctricos.

ADVERTENCIA: Para evitar posibles descargas eléctricas, asegúrese de haber desconectado la energía en el panel del circuito principal antes de realizar el cableado. Siga los pasos a continuación para conectar el ventilador al cableado de la casa. Utilice los conectores de cables suministrados con el ventilador.

Sujete los conectores con cinta aislante.

Asegúrese de que no haya conexiones ni puntas de cables sueltas

ADVERTENCIA: Este control está diseñado para ser utilizado ÚNICAMENTE con “ventiladores de techo con motor de CC”. NO lo use con ningún otro tipo de aparato eléctrico.

ADVERTENCIA: Todo el cableado debe cumplir con los códigos eléctricos nacionales y locales. Si cree que no tiene suficiente conocimiento eléctrico, pida a un electricista con licencia que instale el control.

ADVERTENCIA: Si los cables de su casa son de colores diferentes a los que se mencionan en este manual, deténgase inmediatamente. Se recomienda un electricista profesional para determinar el cableado adecuado.

Realice cada una de las conexiones de cables ilustradas en la Figura 13. Asegure cada una con las tuercas para cables proporcionadas.

ADVERTENCIA: Verifique que todas las conexiones estén apretadas, incluida la conexión a tierra, y que no se vea ningún cable desnudo en las conexiones de cables.

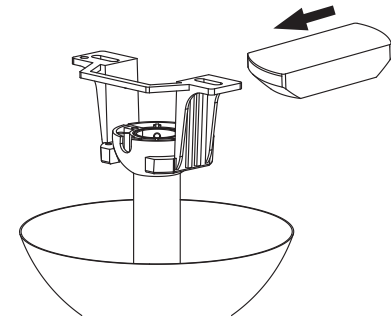


Figura 13

CONEXIONES ELÉCTRICAS (continuación)

Paso 1. Conecte el cable AZUL (PARA LA LUZ) del ventilador al cable AZUL marcado “PARA LA LUZ L” del receptor. **(Figura 14)**

Paso 2. Conecte el cable BLANCO (PARA LA LUZ) del ventilador al cable BLANCO marcado “PARA LA LUZ N” del receptor. **(Figura 14)**

NOTA: Si NO planea usar el kit de luz con su ventilador en este momento, NO conecte los cables azules (PARA LA LUZ) o blancos (PARA LA LUZ). En vez de ello, tape cada cable azul y blanco individual con tuercas para cables.

Paso 3. Conecte el cable AMARILLO (AL MOTOR U) del ventilador al cable AMARILLO marcado “AL MOTOR” del receptor. **(Figura 14)**

Paso 4. Conecte el cable GRIS (AL MOTOR V) del ventilador al cable GRIS marcado “AL MOTOR” del receptor **(Figura 14)**

Paso 5. Conecte el cable ROJO (AL MOTOR W) del ventilador al cable ROJO marcado “AL MOTOR” del receptor. **(Figura 14)**

Paso 6. Conecte el cable NEGRO (L) SE SUMINISTRO de la caja de salida al cable NEGRO marcado “CA EN L” del receptor. **(Figura 14)**

Paso 7. Conecte el cable BLANCO (N) neutro de la caja de salida al cable BLANCO marcado “CA DE ENTRADA N” del receptor. **(Figura 14)**

Paso 8. Conecte los cables de CONEXIÓN A TIERRA (VERDE) del soporte de montaje, la bola de suspensión y el receptor a la CONEXIÓN A TIERRA (VERDE) o el CABLE DESNUDO (COBRE) de la casa. **(Figura 14)**

NOTA: Después de hacer todas la conexiones de cables, gire las tuercas de conexión de cables hacia arriba y empuje el cableado hacia el interior de la caja de salida. Separe las conexiones de los cables blanco (neutro) y verde (conexión a tierra) a un lado de la caja de salida, y las conexiones de cable negro (corriente) al otro lado de la caja de salida.

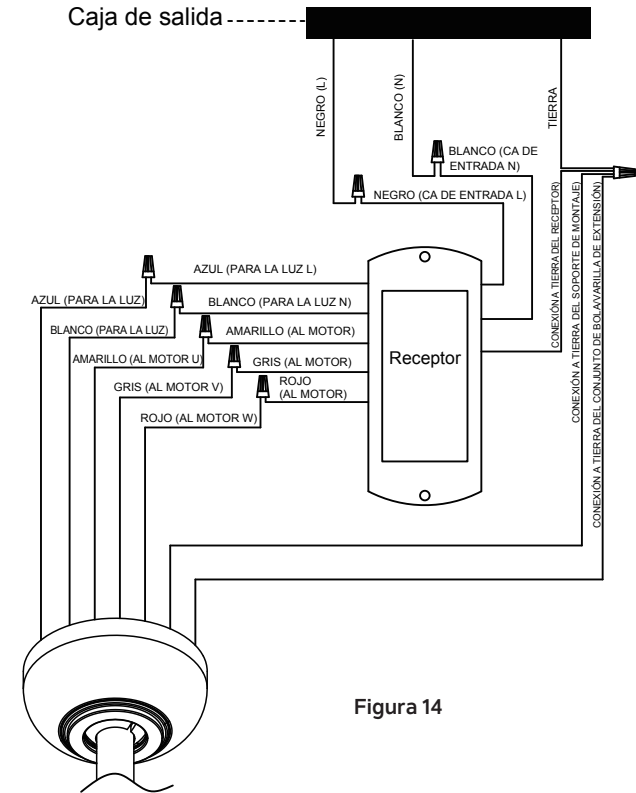


Figura 14

FINALIZACIÓN DE LA INSTALACIÓN DEL MOTOR

PRECAUCIÓN: Antes de continuar con la instalación, confirme que la energía aún está apagada en el disyuntor principal o retirando el fusible del circuito. Desactivar la energía con un interruptor de pared no es suficiente para evitar descargas eléctricas.

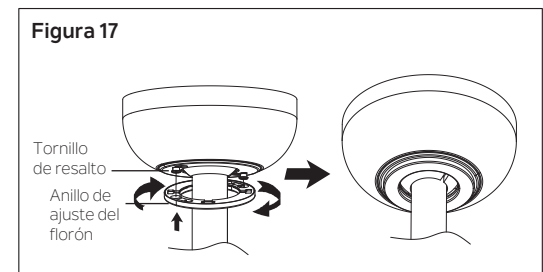
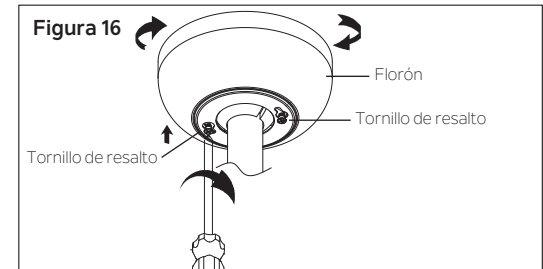
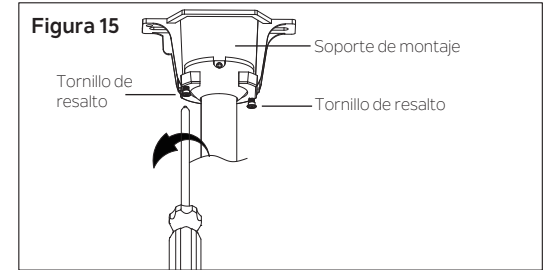
Paso 1. Afloje los dos tornillos de resalto en la parte inferior del soporte de montaje (no los retire). (Figura 15)

Paso 2. Levante el florón hasta el soporte de montaje. Coloque las ranuras de los orificios de chaveta del florón sobre los tornillos de resalto en el soporte de montaje. Gire el florón (en el sentido de las manecillas del reloj) hasta que el florón se trabe en su lugar con los tornillos de resalto (en los extremos angostos de las ranuras de los orificios de chaveta). Apriete los dos tornillos de resalto para fijar el florón en su lugar. (Figura 16)

ADVERTENCIA: Asegúrese de que la “lengüeta de retención” en la parte inferior del soporte de montaje en el techo esté correctamente asentada en la “ranura de registro” en el lado de la bola de suspensión antes de fijar el florón al soporte de montaje en el techo.

Paso 3. Eleve el anillo de ajuste del florón hasta el florón. Coloque las ranuras de los orificios de chaveta del anillo de ajuste del florón sobre las cabezas de los tornillos de resalto. Gire el anillo de ajuste del florón (en el sentido de las manecillas del reloj) hasta que se trabe en su lugar con los tornillos de resalto (en los extremos angostos de las ranuras de los orificios de chaveta). (Figura 17)

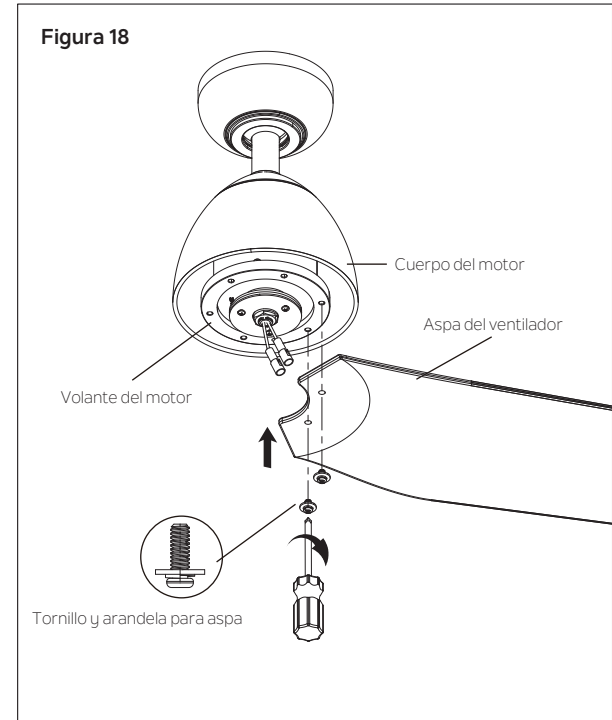
NOTA: Ajuste los tornillos de resalto según sea necesario hasta que el florón y el anillo de ajuste del florón queden ajustados. (Figura 17)



INSTALACIÓN DE LAS ASPAS DEL VENTILADOR

PRECAUCIÓN: Antes de continuar con la instalación, confirme que la energía aún está apagada en el disyuntor principal o retirando el fusible del circuito. Desactivar la energía con un interruptor de pared no es suficiente para evitar descargas eléctricas.

Paso 1. Alinee los orificios de las aspas del ventilador con los orificios del volante del motor. Fije las aspas del ventilador al volante con los tornillos y las arandelas provistos para las aspas. Apriételos para fijarlas. **(Figura 18)**



INSTALACIÓN DE LA TAPA DECORATIVA (SI NO SE VA A INSTALAR EL KIT DE LUZ)

PRECAUCIÓN: Antes de continuar con la instalación, confirme que la energía aún está apagada en el disyuntor principal o retirando el fusible del circuito. Desactivar la energía con un interruptor de pared no es suficiente para evitar descargas eléctricas.

NOTA: Si va a instalar el kit de luz en lugar de la tapa decorativa, continúe con las instrucciones de "INSTALACIÓN DEL KIT DE LUZ" en la página siguiente.

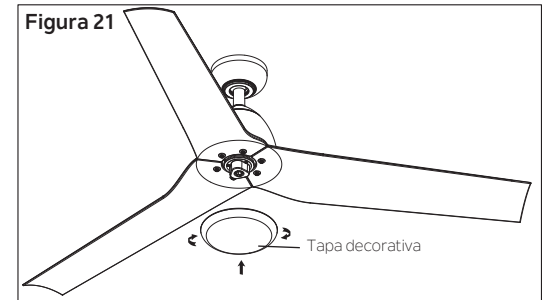
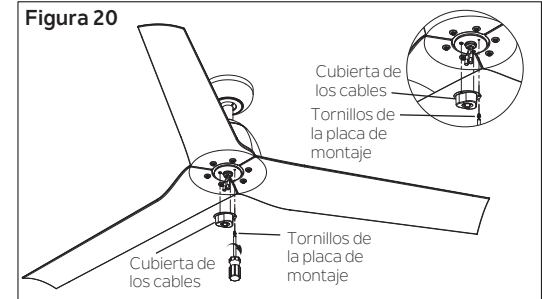
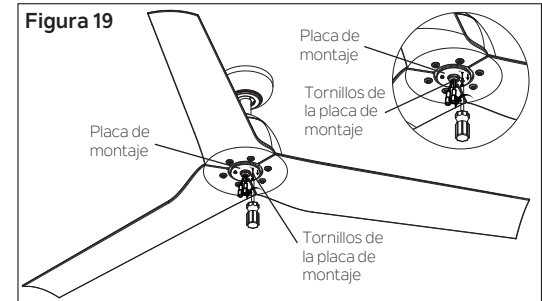
Paso 1. Retire los tres tornillos de la placa de montaje. Conserve los tornillos de la placa de montaje. **(Figura 19)**

Paso 2. Levante la cubierta de los cables hasta la placa de montaje.

NOTA: Asegúrese de que todos los cables que sobresalgan del centro de la placa de montaje estén dentro de la cubierta de los cables.

Alinee los orificios de la cubierta de los cables con los orificios de la placa de montaje, luego instale en los orificios alineados los tres tornillos de la placa de montaje que se retiraron de esta. Apriete los 3 tornillos de la placa de montaje para fijar la cubierta de los cables en su lugar. **(Figura 20)**

Paso 3. Coloque la tapa decorativa sobre la cubierta de los cables y gire la tapa decorativa (en el sentido de las manecillas del reloj) para fijarla a la cubierta de los cables. **(Figura 21)**



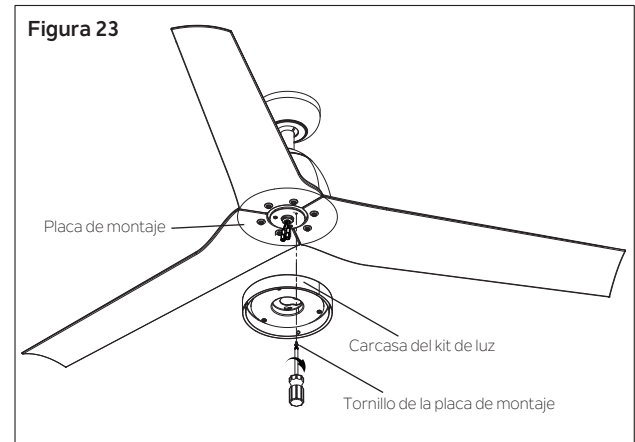
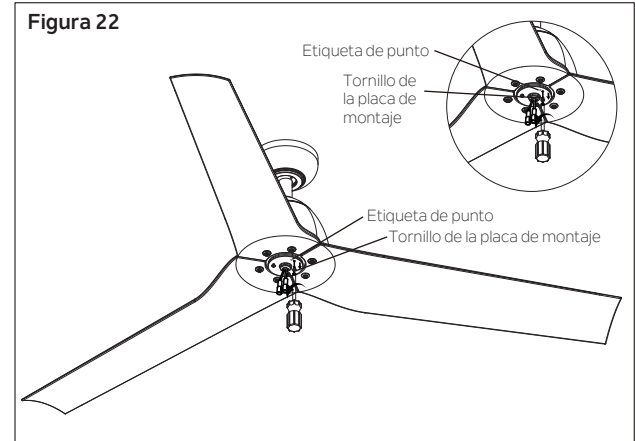
INSTALACIÓN DEL KIT DE LUZ (SI NO SE INSTALA LA TAPA DECORATIVA)

PRECAUCIÓN: Antes de continuar con la instalación, confirme que la energía aún está apagada en el disyuntor principal o retirando el fusible del circuito. Desactivar la energía con un interruptor de pared no es suficiente para evitar descargas eléctricas.

NOTA: Si va a instalar la tapa decorativa en lugar del kit de luz, consulte las instrucciones de "INSTALACIÓN DE LA TAPA DECORATIVA" en la página anterior.

Paso 1. Retire el tornillo de la placa de montaje que está marcado con una etiqueta de punto marrón. Conserve el tornillo de la placa de montaje. Afloje los otros dos tornillos de la placa de montaje (no los retire). **(Figura 22)**

Paso 2. Coloque las ranuras de los orificios de chaveta de la carcasa del kit de luz sobre los 2 tornillos de la placa de montaje que se aflojaron en la placa de montaje. Gire la carcasa del kit de luz (en el sentido de las manecillas del reloj) hasta que se traben en su lugar con los tornillos de la placa de montaje en los extremos angostos de las ranuras de los orificios de chaveta. Alinee el orificio restante de la carcasa del kit de luz con el orificio restante de la placa de montaje. Instale en los orificios alineados el tornillo de la placa de montaje que se retiró de la placa de montaje. Apriete los 3 tornillos de la placa de montaje para fijar la carcasa del kit de luz en su lugar. **(Figura 23)**



INSTALACIÓN DEL KIT DE LUZ (continuación)

Paso 1. Retire uno de los tornillos de la carcasa del kit de luz del borde exterior de la misma. Conserve el tornillo de la carcasa del kit de luz. Afloje los otros dos tornillos de la carcasa del kit de luz (no los quite). **(Figura 24)**

Paso 2. Sostenga el kit de luz cerca de la carcasa del kit de luz. **(Figura 25)**

Conecte el cable BLANCO del kit de luz al cable BLANCO del ventilador empujando los conectores de cables para unirlos.

Conecte el cable NEGRO del kit de luz al cable NEGRO del ventilador empujando los conectores de cables para unirlos.

Paso 3. Introduzca las conexiones de cables cuidadosamente en la carcasa del kit de luz. Coloque las ranuras de los orificios de chaveta del kit de luz sobre los 2 tornillos de la carcasa del kit de luz que se aflojaron en la carcasa del kit de luz. Gire el kit de luz (en el sentido de las manecillas del reloj) hasta que se trabe en su lugar con los tornillos de la carcasa del kit de luz en los extremos angostos de las ranuras de los orificios de chaveta.

Alinee el orificio restante del kit de luz con el orificio restante de la carcasa del kit de luz. Instale en los orificios alineados el tornillo de la carcasa del kit de luz que se retiró de la misma. Apriete los 3 tornillos de la carcasa del kit de luz para fijar el kit de luz en su lugar. **(Figura 25)**

Figura 24

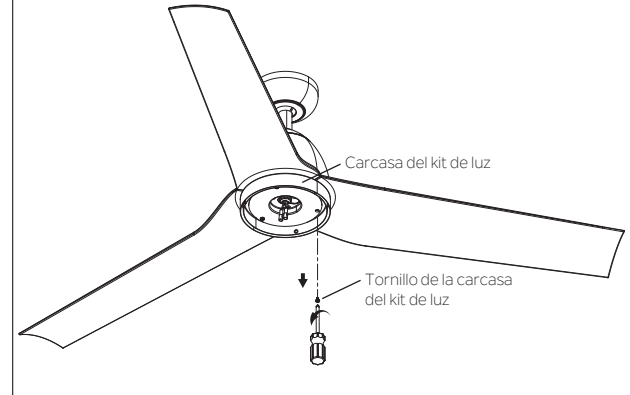
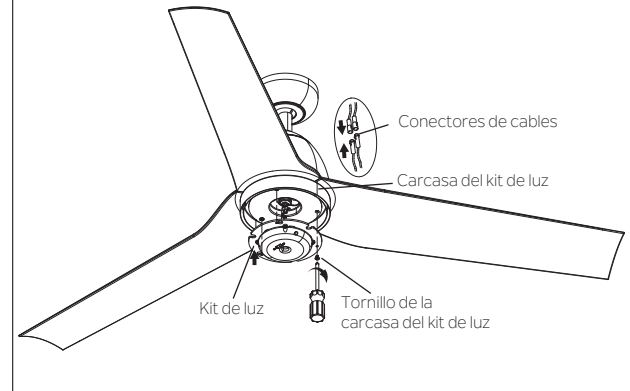


Figura 25



INSTALACIÓN DE LA PANTALLA DEL KIT DE LUZ

PRECAUCIÓN: Antes de continuar con la instalación, confirme que la energía aún está apagada en el disyuntor principal o retirando el fusible del circuito. Desactivar la energía con un interruptor de pared no es suficiente para evitar descargas eléctricas.

Paso 1. Levante con cuidado la pantalla del kit de luz hasta el ventilador y asíéntela contra la carcasa del kit de luz. Gire con cuidado la pantalla del kit de luz (en el sentido de las manecillas del reloj) hasta que se trabe en su lugar en la carcasa del kit de luz.

NO LA APRIETE EN EXCESO. (Figura 26)

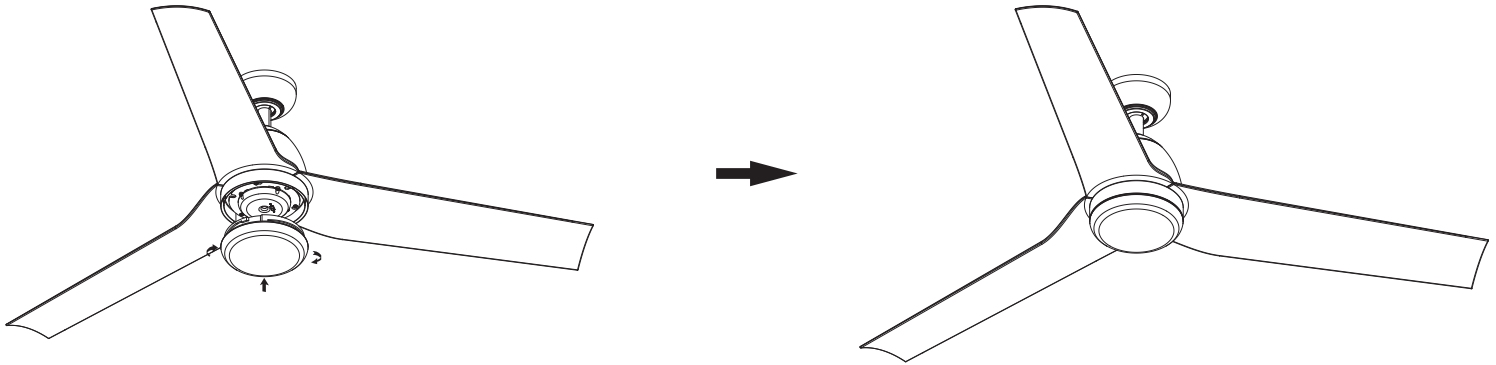


Figura 26

INSTRUCCIONES DE FUNCIONAMIENTO

INSTALACIÓN DE LA PLACA DE PARED DEL TRANSMISOR COOLTOUCH

ADVERTENCIA: Todo el cableado debe instalarse de acuerdo con el Código Eléctrico Nacional (National Electrical Code) y los códigos eléctricos locales. La instalación eléctrica debe ser realizada por un electricista calificado con licencia.

Seleccione una ubicación para instalar la placa de pared CoolTouch™. Puede reemplazar un interruptor de pared existente o instalar la placa de pared en CUALQUIER superficie plana.

Opción 1: Instale la placa de pared utilizando una caja de salida con interruptor de pared existente.

PRECAUCIÓN: La instalación del interruptor debe cumplir con todos los códigos eléctricos locales y nacionales. Asegúrese de que la energía eléctrica esté APAGADA en el panel principal antes de continuar.

Paso 1. Retire la placa de pared existente y el interruptor antiguo de la caja de salida de pared. Conecte los cables NEGROS (corriente) con una tuerca para cables y empújelos para regresarlos al interior de la caja de salida. **(Figura 27)**

Paso 2. Instale la placa de metal y la placa de pared CoolTouch™ en la caja de salida existente en la pared con los 2 tornillos provistos. Inserte los dos tapones de plástico en la placa de pared. **(Figura 28)**

Opción 2: Instale la placa de pared en CUALQUIER superficie plana.

Paso 1. Seleccione la ubicación deseada y use la placa de pared CoolTouch™ para marcar la ubicación de los orificios de montaje.

Paso 2. Utilice los anclajes para paneles de yeso y los tornillos proporcionados para terminar la instalación.

INSTALACIÓN DEL TRANSMISOR

Paso 1. Inserte el transmisor en la placa de pared insertando primero la parte inferior del transmisor y luego presionando la parte superior del transmisor en el bolsillo. El transmisor funcionará completamente desde este lugar o puede retirarlo y usarlo como dispositivo portátil. **(Figura 29)**

Paso 2. Para quitar el transmisor de la placa de pared, presione el botón de liberación y el transmisor le caerá en la mano.

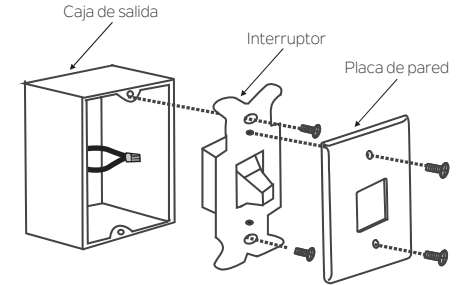


Figura 27

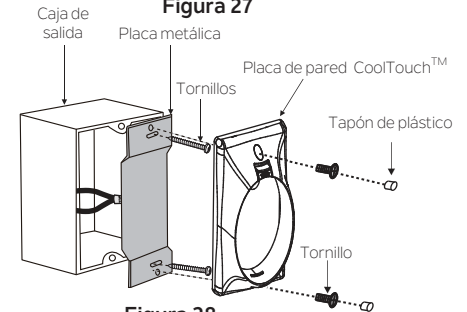


Figura 28



Figura 29

INSTRUCCIONES DE FUNCIONAMIENTO (continuación)

INSTALACIÓN DE LAS BATERÍAS DEL TRANSMISOR

! **ADVERTENCIA:** Peligro de quemaduras químicas. Mantenga las baterías fuera del alcance de los niños.

Este producto contiene una batería de botón/moneda de litio.

Si se ingiere o entra en el cuerpo una batería de botón o de botón de litio nueva o usada, puede causar quemaduras internas graves y provocar la muerte en tan solo 2 horas.

Siempre asegure completamente el compartimiento de la batería. Si el compartimiento de las baterías no cierra bien, deje de utilizar el producto, retire las baterías y manténgalo fuera del alcance de los niños. Si cree que las baterías pueden haber sido ingeridas o introducidas en cualquier parte del cuerpo, busque atención médica de inmediato.

a) Las baterías se deben desechar adecuadamente, lo que incluye mantenerlas fuera del alcance de los niños.

b) Incluso las baterías usadas pueden causar lesiones.

Paso 1. Retire el tornillo de seguridad y la cubierta de la batería de la parte posterior del transmisor. Conserve el tornillo de seguridad. (Figura 30)

Paso 2. Instale dos baterías CR2032 de 3 V (se incluyen) con el lado + orientado hacia arriba. (Figura 31)

Paso 3. Vuelva a instalar la cubierta de la batería y el tornillo de seguridad en la parte posterior del transmisor.

NOTA: Si no se usa durante períodos prolongados (varios meses), retire las baterías para evitar daños en el control remoto. Guarde el control lejos del calor o la humedad excesivos.

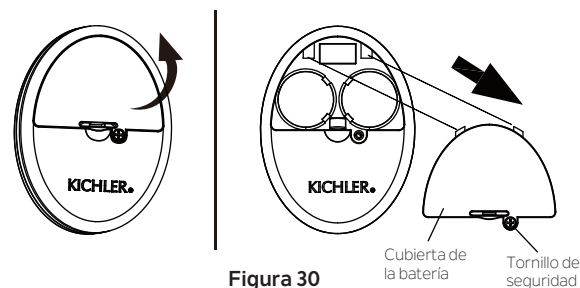


Figura 30

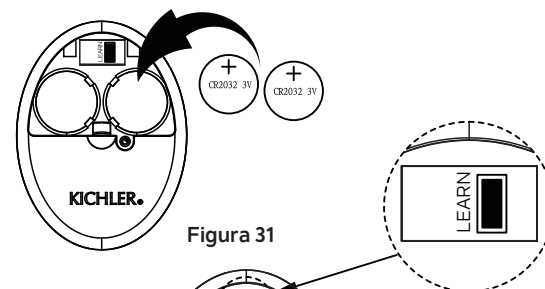


Figura 31

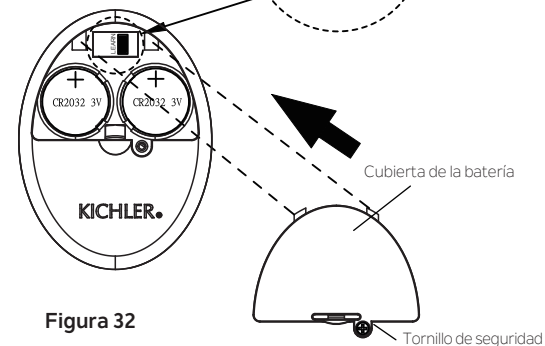


Figura 32

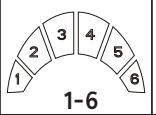




INSTRUCCIONES DE FUNCIONAMIENTO (continuación)

EMPAREJAMIENTO DE UN TRANSMISOR CON EL VENTILADOR

NOTA: Conserve esta página en caso de que se necesite una reprogramación futura o se agregue un control remoto adicional.

FUNCIONAMIENTO DEL TRANSMISOR

Los botones controlan la velocidad y la luz del ventilador de la siguiente manera: (Figura 33)

	Botones de control de velocidad del ventilador: 1 es la velocidad más baja y 6 es la velocidad más alta. Presione uno de los botones para encender el ventilador a la velocidad correspondiente o para cambiar de velocidad.
	Botón APAGAR: Presiónelo una vez para detener el ventilador.
	Botón Reversa: Mientras el ventilador está funcionando, presione el botón de reversa una vez y el ventilador invertirá la dirección de giro.
	Botón de luz: Presiónelo una vez para encender o apagar la luz. Manténgalo presionado para atenuar o intensificar la luz al nivel deseado y luego suéltelo.
	Botón de luz: Presione una vez para encender o apagar la luz. Manténgalo presionado para atenuar o intensificar la luz al nivel deseado y luego suéltelo.

NOTA: El transmisor se emparejó con el receptor del ventilador en la fábrica. No es necesario volver a emparejarlo ni cambiar la frecuencia. Sin embargo, es posible que deba emparejar manualmente un transmisor con el receptor del ventilador:

- Si instala un ventilador adicional y desea controlar todos los ventiladores con el mismo transmisor.
- Si el ventilador no responde al transmisor.

NOTA: En primer lugar, asegúrese de que las baterías del transmisor aún tengan energía (cuando se presiona un botón en el transmisor, la luz de fondo del transmisor se encenderá si las baterías aún tienen energía).

- Si reemplaza un transmisor o receptor defectuoso con uno nuevo.

Para emparejar manualmente un transmisor con un receptor, siga estos pasos:

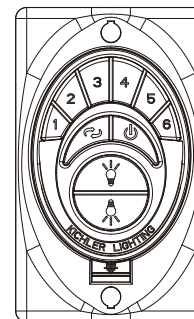


Figura 33

ADVERTENCIA: Asegúrese de que la energía esté completamente desconectada antes de comenzar este proceso.

Importante: El motor del ventilador y las aspas del ventilador de techo se deben instalar antes de que pueda comenzar el procedimiento de emparejamiento.

Paso 1. Retire el tornillo de seguridad y la cubierta de la batería de la parte posterior del transmisor. Conserve el tornillo de seguridad.

Paso 2. Restaure la alimentación al circuito derivado del ventilador de techo en el disyuntor o en la caja de fusibles. Dentro de los 30 segundos posteriores a la restauración de la alimentación, mantenga presionado el botón APRENDER en la parte posterior del transmisor (**Figura 32**) durante 3 segundos. La luz del ventilador (si está instalada) parpadeará dos veces y el ventilador se encenderá en baja velocidad. Esto confirma que el proceso de emparejamiento ha terminado. El transmisor ahora estará emparejado con su ventilador y estará listo para usarse.

Paso 3. Pruebe diferentes configuraciones de velocidad en el transmisor para asegurarse de que el ventilador funciona por completo. Si la programación no tiene éxito, vuelva a desconectar la alimentación por completo y vuelva a intentar el paso 2.

Paso 4. Vuelva a instalar la cubierta de la batería y el tornillo de seguridad en la parte posterior del transmisor.

INSTRUCCIONES DE FUNCIONAMIENTO (continuación)

Para operar la función de reversa de este ventilador, presione el botón “Reversa” en el transmisor mientras el ventilador está funcionando.

Operación en clima cálido: Avance (el ventilador gira en sentido contrario a las manecillas del reloj). Un flujo de aire descendente crea un efecto de enfriamiento (**Figura 34**). Esto le permite configurar su aire acondicionado en una temperatura más alta sin afectar su comodidad general.

Operación en clima frío: Reversa (el ventilador gira en el sentido de las manecillas del reloj). Un flujo de aire ascendente mueve el aire caliente de las áreas del techo (**Figura 35**). Esto le permite configurar su unidad de calefacción en una temperatura más baja sin afectar su comodidad general.

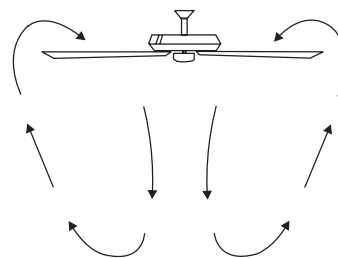


Figura 34

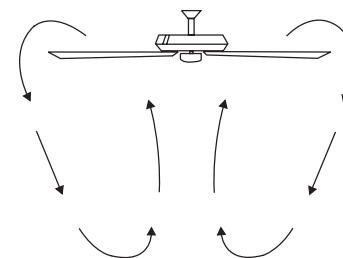


Figura 35

RESOLUCIÓN DE PROBLEMAS

Problema

Solución

El ventilador no arranca.

1. Verifique los fusibles o disyuntores del circuito.
2. Verifique todas las conexiones eléctricas para asegurar un contacto adecuado. **PRECAUCIÓN: Asegúrese de que la alimentación principal esté apagada cuando verifique cualquier conexión eléctrica.**
3. Asegúrese de que las baterías del transmisor estén instaladas correctamente con el lado + orientado hacia arriba.
4. Asegúrese de que las baterías tengan buena carga (cuando se presiona un botón en el transmisor, la luz de fondo del transmisor se encenderá si las baterías aún tienen energía).

El ventilador suena ruidoso.

1. Asegúrese de que todos los tornillos de la carcasa del motor estén ajustados.
2. Asegúrese de que los tornillos que sujetan los soportes de las aspas del ventilador al motor estén apretados.
3. Asegúrese de que las conexiones de tuercas para cables no se froten entre sí o con la pared interior de la caja del interruptor. **PRECAUCIÓN: Asegúrese de que la energía principal esté apagada.**
4. Permita un período de “rodaje” de 24 horas. La mayor parte del ruido asociado con un ventilador nuevo desaparece durante este tiempo.
5. Si usa un kit de luz opcional, asegúrese de que los tornillos que sujetan la cristalería estén bien apretados. Asegúrese de que las bombillas no toquen ningún otro componente.
6. No conecte este ventilador a controles de velocidad variable montados en la pared. No son compatibles con motores de ventiladores de techo o controles remotos.
7. Asegúrese de que el florón superior esté a poca distancia del techo. No debe tocar el techo.

La luz no funciona.

1. Para comprobar si hay conexiones sueltas de cables entre el kit de luz LED y el ventilador:
Shut off the branch circuit electricity at the fuse box or breaker panel, then check the LED light fixture assembly electrical connectors for proper installation.
2. Para restablecer el transmisor: 1) Apague la alimentación del ventilador con el interruptor de pared o el disyuntor.
2) Retire las baterías del transmisor. 3) Espere 10 segundos. 4) Reemplace las baterías del transmisor y luego restaure la energía al ventilador.

RESOLUCIÓN DE PROBLEMAS (continuación)

Problema	Solución
Oscilación del ventilador.	<ol style="list-style-type: none">1. Verifique que todos los tornillos de aspa y del brazo de aspa estén firmes.2. La mayoría de los problemas de oscilación del ventilador se deben a que los niveles de las aspas no son iguales. Compruebe este nivel seleccionando un punto en el techo por encima de la punta de una de las aspas. Mida esta distancia. Gire el ventilador hasta que se coloque la siguiente aspa para medirla. Repita la operación para cada aspa. La desviación de las distancias debe ser igual con una tolerancia de 3 mm (1/8 in).3. Si aún se nota la oscilación del aspa, intercambiar dos aspas adyacentes (una al lado de la otra) puede redistribuir el peso y posiblemente dar como resultado un funcionamiento más fluido.
Mal funcionamiento del control remoto.	<ol style="list-style-type: none">1. Los ventiladores de techo con sistemas de control remoto NO PUEDEN funcionar junto con ningún otro sistema de control, EXCEPTO un interruptor de pared de encendido/apagado básico si se desea.

ADVERTENCIA: PARA REDUCIR EL RIESGO DE LESIONES PERSONALES Y PARA ASEGURARSE DEL CORRECTO FUNCIONAMIENTO DE SU VENTILADOR DE TECHO. NUNCA INSTALE LOS CONJUNTOS DE ASPAS HASTA QUE EL VENTILADOR DE TECHO SE HAYA MONTADO EN EL TECHO. NO DOBLE LAS ASPAS MIENTRAS INSTALA, BALANCEA O LIMPIA EL VENTILADOR. NO INTRODUZCA OBJETOS EXTRAÑOS ENTRE LAS ASPAS DEL VENTILADOR QUE ESTÁN GIRANDO.

INFORMACIÓN DE LA FCC

Este dispositivo cumple con la parte 15 de las normas de la Comisión Federal de Comunicaciones (Federal Communications Commission, FCC). El funcionamiento está sujeto a las siguientes dos condiciones:

- 1) este dispositivo no puede causar interferencias perjudiciales, y
- 2) este dispositivo debe aceptar cualquier interferencia recibida, incluidas interferencias que puedan causar un funcionamiento no deseado.

Nota: Este equipo ha sido probado y cumple con los límites para un dispositivo digital de Clase B, de acuerdo con la parte 15 de las normas de la FCC. Estos límites están diseñados para proporcionar una protección razonable contra interferencias perjudiciales en una instalación residencial. Este equipo genera, usa y puede irradiar energía de radiofrecuencia y, si no se instala y usa de acuerdo con las instrucciones, puede causar interferencia dañina a las comunicaciones por radio.

Sin embargo, no hay garantía de que no se produzcan interferencias en una instalación en particular. Si este equipo causa interferencia dañina en la recepción de radio o televisión, lo cual se puede determinar encendiendo y apagando el equipo, se recomienda al usuario que intente corregir la interferencia mediante una o más de las siguientes medidas:

- Reorientar o reubicar la antena receptora.
- Aumentar la separación entre el equipo y el receptor.
- Conectar el equipo a una toma de corriente en un circuito diferente al que está conectado el receptor.
- Consulte con el distribuidor o con un técnico de radio/TV experimentado para obtener ayuda.

KICHLER®

www.kichler.com

KICHLER LIGHTING LLC

30455 Solon Rd.

Solon, OH 44139, EE. UU.

SERVICIO AL CLIENTE 866.558.5706

8:00 A. M. A 5:00 P. M. EST, DE LUNES A VIERNES

REV. 14-NOV-2023

© Kichler Lighting LLC. Todos los derechos reservados.