

KICHLER®

52" Lyndon™ Patio LED

Product images may vary slightly from actual product.



INSTRUCTION MANUAL

TABLE OF CONTENTS

SAFETY RULES	4	FINISHING THE INSTALLATION	12
TOOLS REQUIRED	5	ATTACHING THE FAN BLADES	13
PACKAGE CONTENTS	5	INSTALLING THE MOUNTING PLATE	14
MOUNTING OPTIONS	6	INSTALLING THE LIGHT KIT	14
HANGING THE FAN	7	INSTALLING THE BULB AND GLASS SHADE	15
INSTALLATION OF SAFETY SUPPORT	9	INSTALLING THE WALL CONTROL	16
CONTROL SYSTEM SET-UP	10	OPERATING INSTRUCTIONS	17
ELECTRICAL CONNECTIONS	10	TROUBLESHOOTING	18

SAFETY RULES

READ AND SAVE THESE INSTRUCTIONS

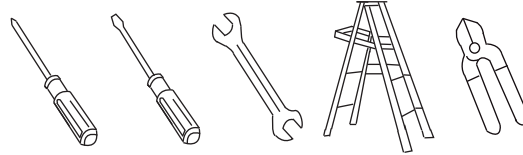
1. To reduce the risk of electric shock, insure electricity has been turned off at the circuit breaker or fuse box before beginning.
2. All wiring must be in accordance with the National Electrical Code and local electrical codes. Electrical installation should be performed by a qualified licensed electrician.
3. **WARNING:** To reduce the risk of fire or electric shock, use only the control provided with the fan.
4. **WARNING:** To reduce the risk of fire, electric shock, or Personal Injury, mount directly to a structural framing member or to an outlet box marked 'Acceptable for Fan Support of 15.9kg(35 lbs) or less'. For outlet box mounting, use mounting screws provided with the outlet box.
5. To operate the reverse function on this fan, slide the reverse switch to the opposite position.
6. Avoid placing objects in the path of the blades.
7. To avoid personal injury or damage to the fan and other items, be cautious when working around or cleaning the fan.
8. Make sure the installation site you choose allows a minimum clearance of 7 feet from the blades to the floor and at least 30 inch from the ends of the blades to any obstruction.
9. Do not use water or detergents when cleaning the fan or fan blades. A dry dust cloth or lightly dampened cloth will be suitable for most cleaning.
10. After making the electrical connections, spliced conductors should be turned upward and pushed carefully up into outlet box. The wires should be spread apart with the ground wire and white (common) wire to one side with the black (load) wire to the other side of the outlet box.
11. Electrical diagrams are reference only. Light kits that are not packed with the fan must be ETL Listed and marked suitable for use with the model fan you are installing. Switches must be ETL General Use Switches. Refer to the Instructions packaged with the light kits and switches for proper assembly.

WARNING

TO REDUCE THE RISK OF PERSONAL INJURY, DO NOT BEND THE BLADE BRACKETS (ALSO REFERRED TO AS FLANGES) DURING ASSEMBLY OR AFTER INSTALLATION. DO NOT INSERT OBJECTS IN THE PATH OF THE BLADES.

TOOLS REQUIRED

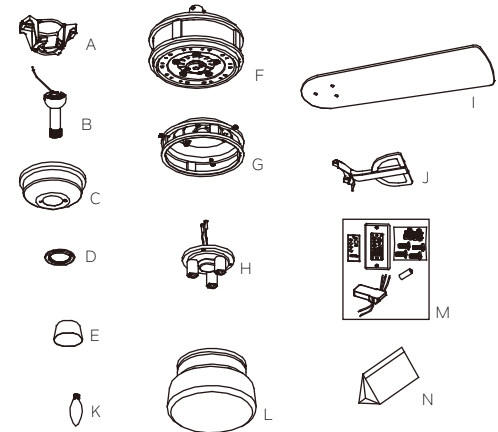
- Phillips screwdriver
- Blade screwdriver
- 11 mm wrench
- Step ladder
- Wire cutters



PACKAGE CONTENTS

Unpack your fan and check the contents . You should have the following items:

- | | |
|--|------------------------------------|
| A. Mounting bracket | L. Glass Shade |
| B. Ball / downrod assembly (1) | M. Control Kit |
| C. Canopy | N. Package Hardware |
| D. Canopy Trim Ring | 1) Mounting Hardware: |
| E. Coupling Cover | wire connectors (3) |
| F. Motor Body | 2) Blade Attachment Hardware: |
| G. Mounting Plate | screws (15) |
| H .Light Kit | 3) Safety Cable Hardware: |
| I. Fan Blades (5) | wood screw (1), spring washer (1), |
| J. Set of 5 blades arm and pre-installed | flat washer (1) |
| mounting screws | 4) Slip Resistant Sleeve Hardware: |
| K. 4-watt B10 LED Bulb (3) | slip resistant sleeve (3) |



MOUNTING OPTIONS

If there isn't an existing UL (cUL for Canadian Installation) listed mounting box, then read the following instructions. Disconnect the power by removing fuses or turning off circuit breakers.

Secure the outlet box directly to the building structure. Use appropriate fasteners and building materials. The outlet box and its support must be able to fully support the moving weight of the fan (at least 50 lbs). Do not use plastic outlet boxes.

Figures 1, 2 and 3 are examples of different ways to mount the outlet box.

NOTE: If you are installing the ceiling fan on a sloped (vaulted) ceiling, you may need a longer downrod to maintain proper clearance between the tip of the blade and the ceiling. A minimum clearance of 12" is suggested for optimal operation.

NOTE: You must use 12" or longer downrod for 30° slope (max angle 30°). (Fig. 3)

NOTE: Depending on the location you have selected for installation, you may need to purchase and install a "Joist Hanger" for the support of the outlet box. Make sure the joist hanger you purchase has been designed for use with ceiling fans. (Fig. 4)

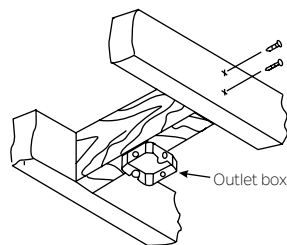


Fig. 1

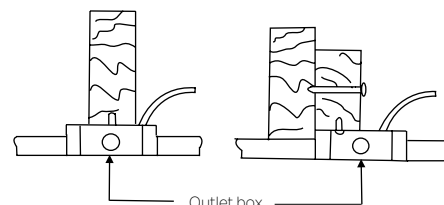


Fig. 2

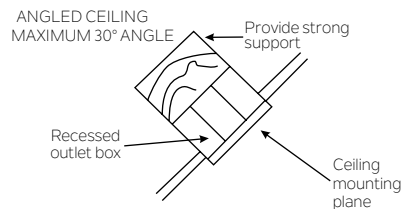


Fig. 3

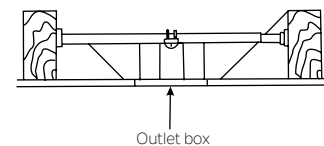


Fig. 4

HANGING THE FAN

REMEMBER to turn off the power before you begin installation. This is necessary for your safety and also the proper programming of the control system.

To properly install your ceiling fan, follow the steps below.

Step 1. Before attaching fan to outlet box (not included), ensure the outlet box is securely fastened to at least two points to a structural ceiling member (a loose box will cause the fan to wobble). Pass the 120 volt supply wires from the ceiling outlet box through the center of the ceiling mounting bracket. Install mounting bracket to outlet box in ceiling using the screws and washers included with the outlet box. (Fig. 5)

Step 2. Remove one of the two shoulder screws in the mounting bracket and save it for later use. Loosen the second shoulder screw without fully removing it. (Fig. 6)

Step 3. Remove the hanger ball from downrod assembly by loosening set screws , removing the cross pin, and twisting ball off the rod.(Fig. 7)

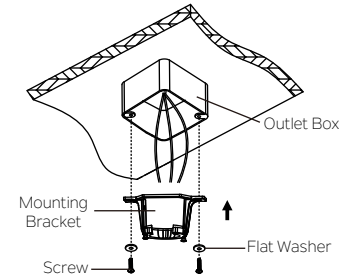


Fig. 5

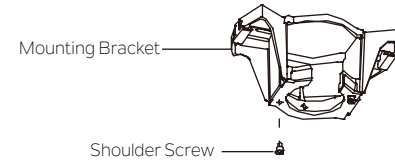


Fig. 6

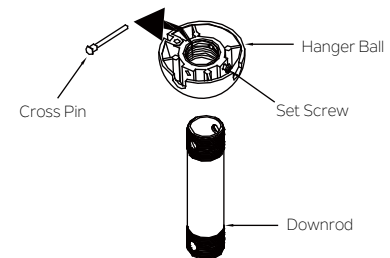


Fig. 7

HANGING THE FAN(continued)

Step 4. Loosen the two set screws and remove the clip and cross pin from the top coupling of the motor body. Carefully feed the fan wires up through the downrod. Thread the downrod onto the motor coupling until the cross pin holes are aligned. Next, replace the cross pin and clip, and tighten both set screws. (Fig.8)

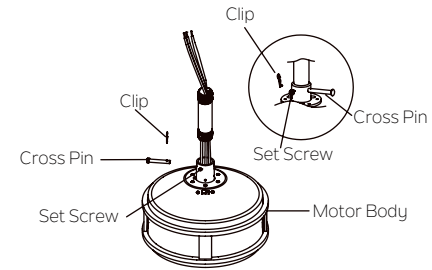


Fig. 8

Step 5. Slip the coupling cover, canopy trim ring and canopy onto the downrod. Carefully reinstall the hanger ball onto the downrod. Make sure the cross pin is in the correct position and the set screws are tight and the wires are not twisted. (Fig.9)

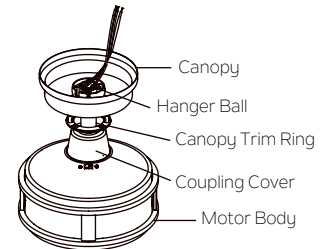


Fig. 9

Step 6. Now lift the motor body into position and place the hanger ball into the hanger bracket. Rotate until the “Check Tab” has dropped into the “Registration Slot” and seats firmly. (Fig.10) The entire motor body should not rotate if this is done correctly.

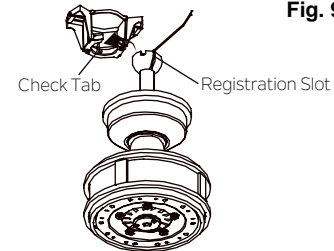


Fig. 10

WARNING: Failure to properly seat the “Check Tab” can damage the ceiling fan during operation.

INSTALLATION OF SAFETY SUPPORT (required for Canadian installation ONLY)

A safety support cable is provided to help prevent the ceiling fan from falling, please install it as follows.

Step 1. Drive a wood screw and washers into the side of the brace that holds the outlet box. Leave 3mm (1/8") of space between the support brace and the washer. (Fig. 11)

Step 2. Insert the safety cable through the mounting bracket and one of the holes in the outlet box into the ceiling. Adjust the length of the safety cable to reach the screw and washers by pulling the extra cable through the cable clamp until the overall length is correct, put the end of the cable back through the cable clamp, forming a loop at the end of the cable. Tighten the cable clamp securely. Now, put the loop in the end of the safety cable over the wood screw and under the washer. Tighten the wood screw securely. (Fig. 12)

NOTE: Although the safety support cable is required for Canadian installations only. It's a good idea to make the attachment with any installation.

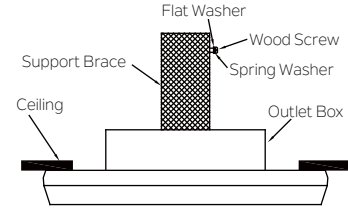


Fig. 11

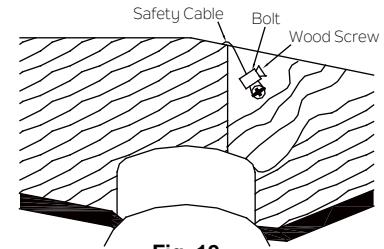


Fig. 12

CONTROL SYSTEM SET-UP

NOTE: The wall control and receiver have 16 different code combinations. To prevent possible interference from or to other remote units, simply change the combination code on the receiver and wall control as below.

Step 1. Slide the code switches on the receiver to your choice of either up or down using a small ballpoint pen (not included). (Fig. 13)

Step 2. To set the code on the wall control, use a small flat screwdriver and gently pry it apart from the top or bottom of the switch plate. Slip the code switches to the same positions as set on the receiver. (Fig.13)

NOTE: Factory setting is all up. Do not use this position.

NOTE: If you are using more than one fan in the same area and want to control them separately, change code switches on receiver and wall control to a new setting.

Step 3. Install the 23A 12V battery (included) with wall control system and make sure it is seated correctly. Replace the switch plate. (Fig. 14)

NOTE: Remove battery if remote has not been used for a long period of time in order to avoid damage. Store wall control away from excessive heat or humidity.

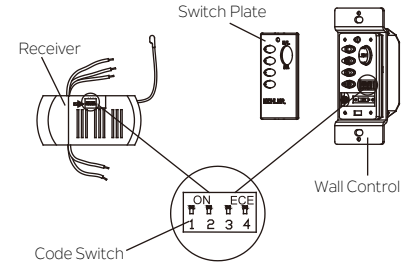


Fig. 13

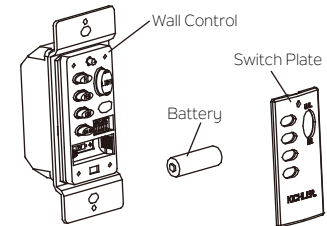


Fig. 14

ELECTRICAL CONNECTIONS

WARNING: To avoid possible electrical shock, be sure you have turned off the power at the main circuit panel before wiring.

Follow the steps below to connect the fan to your household wiring. Use the wire connectors supplied with your fan. Secure the connector with electrical tape. Make sure there are no loose wire stands or connections.

WARNING: If your house wires are different colors than referenced in this manual, stop immediately. A professional electrician is recommended to determine proper wiring.

Step 1. Insert the receiver into the mounting bracket, and keep flat in opposition of ceiling. (Fig. 15)

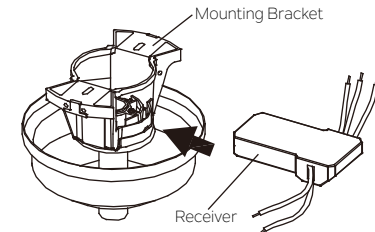


Fig. 15

ELECTRICAL CONNECTIONS (continued)

Step 1: Motor to receiver electrical connections:

Connect the BLACK wire from the fan to BLACK wire marked "TO MOTOR L" from the receiver.

Connect the WHITE wire from the fan to the WHITE wire marked "TO MOTOR N" from the receiver.

Connect the BLUE wire from the fan to the BLUE wire marked "FOR LIGHT" from the receiver.

Secure all the wire connections with the plastic wire connectors provided. (Fig.16)

Step 2: Remote receiver to outlet box electrical connections:

Connect the BLACK (hot) wire from the ceiling to the RED wire marked "AC in L" from the receiver.

Connect the WHITE (neutral) wire from the ceiling to the WHITE wire marked "AC in N" from the receiver.

Secure the wire connections with the plastic wire connectors provided. (Fig.16)

Step 3: Connect GROUND (GREEN) wires from hanger ball and mounting bracket, to GROUND (GREEN or BARE COPPER) from house. Secure the wire connection with a plastic connectors provided. After connecting the wires, spread them apart so that the green and white wires are on one side of the outlet box and black and blue wires are on the other side. (Fig.16)

NOTE: Carefully tuck the wire connections up into the outlet box.

NOTE: Fan must be installed at a maximum distance of 30 feet from the transmitting unit for proper signal transmission between the transmitting unit and the fan's receiving unit.

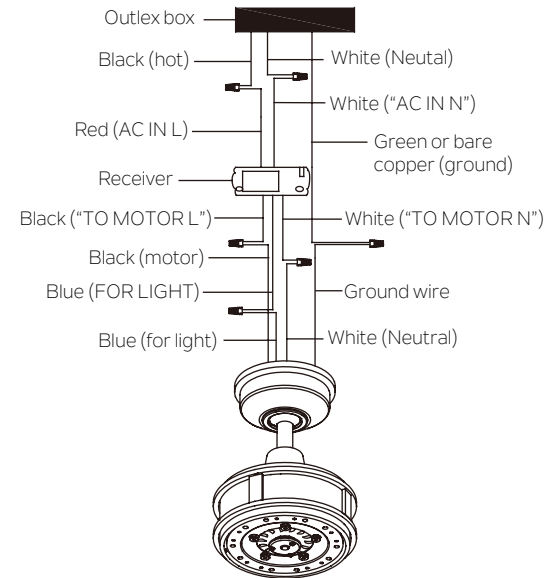


Fig. 16

FINISHING THE INSTALLATION

Step 1. Assemble canopy by rotating key slot in canopy over shoulder screw in mounting bracket. Tighten shoulder screw. Fully assemble and tighten second shoulder screw that was previously removed. (Fig. 17)

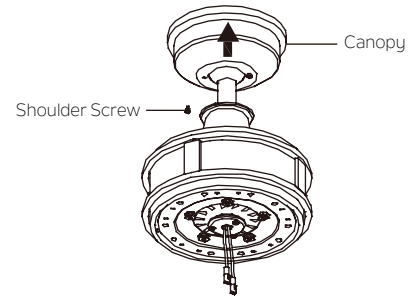


Fig. 17

Step 2. Securely attach and tighten the canopy hole cover over the shoulder screws in the mounting bracket utilizing the keyslot twist-lock feature. (Fig. 18)

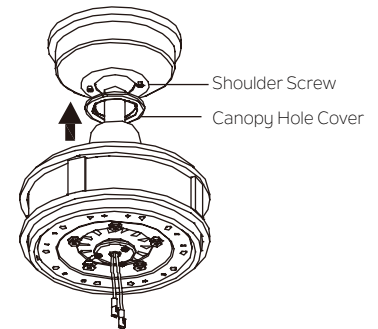


Fig. 18

ATTACHING THE FAN BLADES

NOTE: Before continuing , make sure the power is disconnected by turning off the circuit breaker or removing the fuse at the circuit box.

Step 1. Position the blade over the blade arm with threaded posts showing. Make sure the bottom edge of the blade is fully seated against the blade arm. With a Phillips screwdriver, start a screw into the blade arm (do not tighten) and repeat for the 2 remaining blade screws . Tighten each screw securely starting with the center screw. Make sure the blade is straight. Repeat steps for the remaining blades. (Fig. 19)

Step 2. Fasten blade assembly to the holes located on the bottom of the flywheel. Tighten the two "pre- installed" motor screws in the blade arm. Repeat steps for the remaining blades assemblies. (Fig. 20)

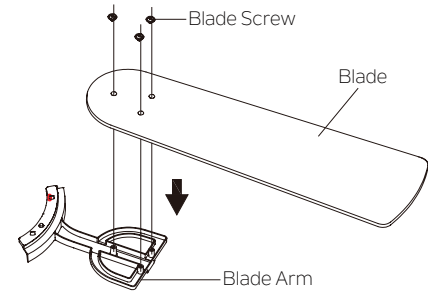


Fig. 19

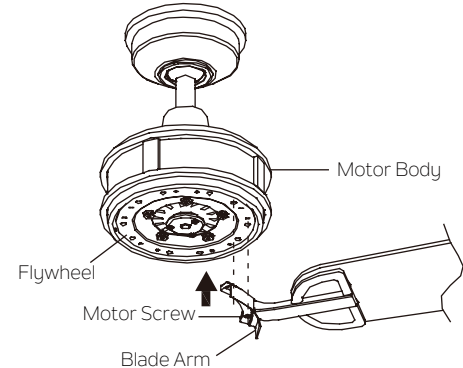


Fig. 20

INSTALLING THE MOUNTING PLATE

Step 1. You will find one dot label on the mounting ring. Remove the 3 screws preinstalled on mounting ring and keep them for reuse later. Align the dot labels on the mounting plate to the mounting ring. Attach the mounting plate to the mounting ring with three screws removed previously. Please adjust the mounting plate if necessary, to line up the rim both on the motor body and mounting plate. Tighten the 3 screws securely.(Fig. 21)

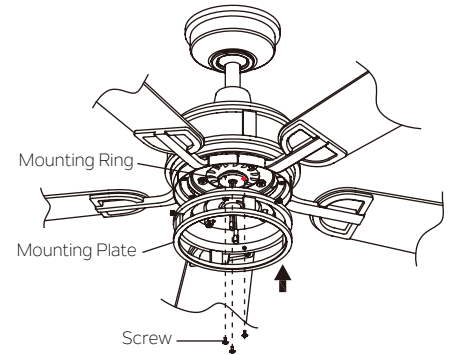


Fig. 21

INSTALLING THE LIGHT KIT

NOTE: Before continuing installation, confirm that the power is still turned off at the main circuit breaker or by removing the correct fuse. Turning the power off using a wall switch is not sufficient to prevent electrical shock.

Step 1. Remove the 3 preinstalled screws from the mounting plate as shown. Save them for reuse on step 3. (Fig. 22)

Step 2. Hold the light kit close to the mounting plate and connect the WHITE wires from the mounting plate and fan by pushing the connectors together. Follow the same procedure with the BLACK wires. (Fig. 22)

Step 3. Tuck the connections neatly into the light kit. Align the screw holes on the light kit and mounting plate. Securely tighten all 3 screws removed previously. (Fig. 22)

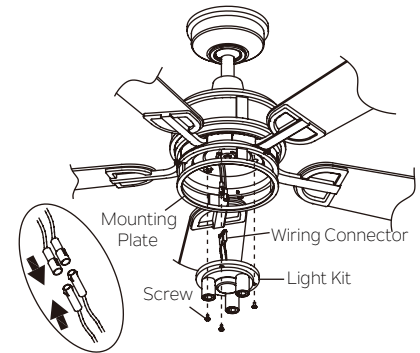


Fig. 22

INSTALLING THE BULB AND GLASS SHADE

Step 1. Install the 3, 4-watt B10 LED bulbs (included). (Fig. 23)

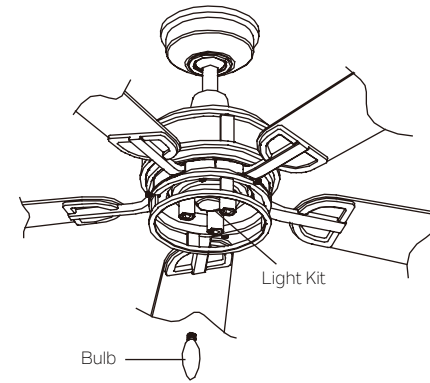


Fig. 23

Step 2. Place the slip resistant sleeve on the end of the thumb screw with knurled head. Lift the glass shade allowing it against the mounting plate and securely tighten with the 3 thumb screws only by hand to avoid damaging glass. Do not overtighten the screws.(Fig.24)

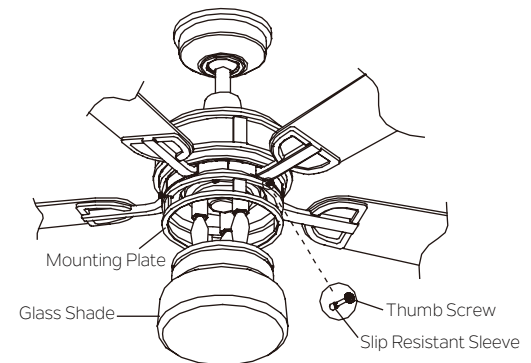


Fig. 24

INSTALLING THE WALL CONTROL

All wiring must be in accordance with the National Electrical Code and local electrical codes. Electrical installation should be performed by a qualified licensed electrician.

Select a location to install your wall control. You can replace an existing wall switch, or install the wall control to a new outlet box.

Note: Make sure the electrical power is TURNED OFF at the main panel before continuing.

Note: SWITCH INSTALLATION MUST COMPLY WITH ALL LOCAL AND NATIONAL ELECTRIC CODE.

Step 1. Remove the existing wall plate and the old switch from the wall outlet box. Wire nut the BLACK leads (hot) together and push back inside the outlet box. (Fig. 25) or select the desired location with a new wall outlet box.

Step 2. Use the screws provided to secure the wall control to the outlet box. (Fig. 26)

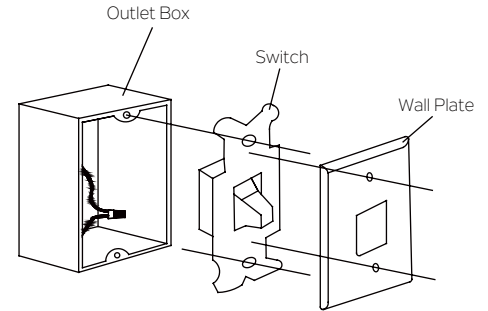


Fig. 25

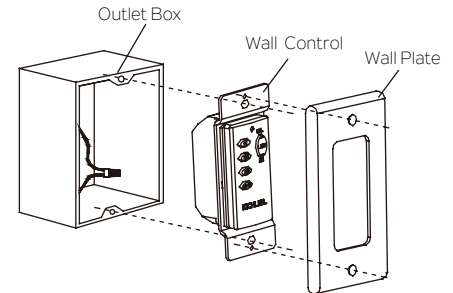


Fig. 26

OPERATING INSTRUCTIONS:

Restore power to ceiling fan and test for proper operation. (Fig. 27)

Test the transmitter by pressing and releasing ANY button. A RED Light should illuminate, if not, check to make sure the battery is inserted and seated correctly.

NOTE: To prevent damage to transmitter, remove the battery if not used for long periods of time (months).

1. Fan Control:

To start the fan. Press the selected speed button to run the fan at the desired speed and press the "OFF" button to turn off the fan.

HI-high speed

MED-medium speed

LOW-low speed

2. Light On/Off-press and release light button.

3. Light Dimmer-continuous pressure on the light button dims light in a continuous cycle from light to dark, or dark to light.

4. Fan Reverse - controls direction, forward or reverse.

Speed setting for warm or cool weather depend on factor such as th room size, ceiling height, number of fans and so on.

Warm Weather Operation: Forward (counterclockwise) A downward airflow creates a cooling effect . This allows you set your air conditioner on a warmer setting without affecting your general comfort. (Fig. 28)

Cool Weather Operation: Reverse (clockwise) An upward airflow creates a warm air off the ceiling areas. This allows you set your air conditioner on a cooler setting without affecting your general comfort. (Fig. 28)

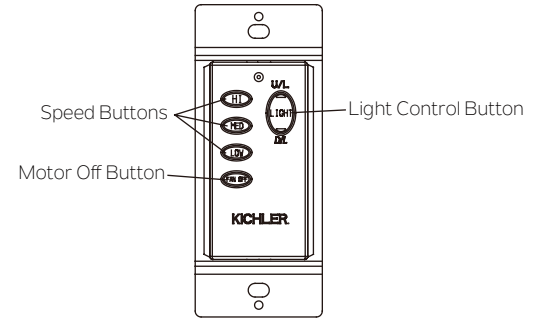


Fig. 27

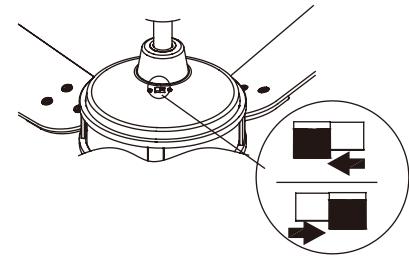


Fig. 28

TROUBLESHOOTING

Problem

Solution

Fan will not start.

1. Check circuit fuses or breakers.
2. Check all electrical connections to insure proper contact. **CAUTION:** Make sure the main power is OFF when checking any electrical connection.
3. Make sure the transmitter batteries are installed properly. Positive (+) side facing out.
4. Insure the batteries have a good charge.

Fan sounds noisy.

1. Make sure all motor housing screws are snug.
2. Make sure the screws that attach the fan blade brackets to the motor are tight.
3. Make sure wire nut connections are not rubbing against each other or the interior wall of the switch housing. **CAUTION:** Make sure main power is off.
4. Allow a 24-hour "breaking-in" period. Most noise associated with a new fan disappear during this time.
5. If using an optional light kit, make sure the screws securing the glassware are tight. Make sure the light bulbs are not touching any other component.
6. Do not connect this fan to a wall mounted variable speed control(s). They are not compatible with ceiling fan motors or remote controls.
7. Make sure the upper canopy has a short distance from the ceiling. It should not touch the ceiling.

Fan wobble.

1. Check that all blade and blade arm screws are secure.
2. Most fan wobbling problems are caused when blade levels are unequal. Check this level by selecting a point on the ceiling above the tip of one of the blades. Measure this distance. Rotate the fan until the next blade is positioned for measurement. Repeat for each blade. The distance deviation should be equal within 1/8".
3. If the blade wobble is still noticeable, interchanging two adjacent (side by side) blades can redistribute the weight and possibly result in smoother operation.

Remote control malfunction.

1. Ceiling Fans with remote control systems CAN NOT be operated in conjunction with any other control system EXCEPT a basic On/Off wall switch, if desired.

KICHLER®

www.kichler.com

KICHLER® LIGHTING LLC

7711 EAST PLEASANT VALLEY ROAD P.O. BOX 318010

CLEVELAND, OHIO 44131-8010

CUSTOMER SERVICE 866.558.5706

8:30 AM TO 5:00 PM EST, MONDAY - FRIDAY

KICHLER®

52" Lyndon™ Patio LED

Les images du produit pourraient légèrement être différentes du produit réel.



MANUEL D'INSTRUCTIONS

TABLE DES MATIÈRES

RÈGLES DE SÉCURITÉ	4	FIN DE L'INSTALLATION	12
OUTILS NÉCESSAIRES	5	FIXATION DES PALES DU VENTILATEUR	13
CONTENU DE L'EMBALLAGE	5	INSTALLATION DE LA PLAQUE DE MONTAGE	14
OPTIONS DE MONTAGE	6	INSTALLATION DU KIT D'ÉCLAIRAGE	14
SUSPENSION DU VENTILATEUR	7	INSTALLATION DE L'AMPOULE ET DE L'ABAT	
INSTALLATION D'UN SUPPORT DE SÉCURITÉ	9	-JOUR EN VERRE	15
RÉGLAGE DU SYSTÈME DE CONTRÔLE	10	INSTALLATION DE LA COMMANDE MURALE	16
BRANCHEMENTS ÉLECTRIQUES	10	INSTRUCTIONS DE FONCTIONNEMENT	17
		DÉPANNAGE	18

RÈGLES DE SÉCURITÉ

VEUILLEZ LIRE ET CONSERVER LES PRÉSENTES INSTRUCTIONS

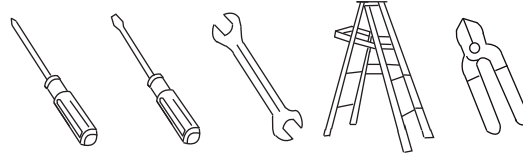
1. Pour réduire le risque de choc électrique, s'assurer que l'électricité a été coupée au disjoncteur ou au boîtier de fusibles avant de commencer.
2. Tout le câblage doit être conforme au Code national de l'électricité et aux codes électriques locaux. L'installation électrique doit être effectuée par un électricien qualifié et agréé.
3. **AVERTISSEMENT:** Pour réduire le risque d'incendie ou d'électrocution, utilisez uniquement la commande fournie avec le ventilateur.
4. **AVERTISSEMENT:** Pour réduire les risques d'incendie, d'électrocution ou de blessures corporelles, montez directement sur un élément de charpente ou sur une boîte de sortie portant la mention « Acceptable pour un support de ventilateur de 15,9 kg (35 lb) ou moins ». Pour le montage du boîtier externe, utilisez les vis de montage fournies avec le boîtier externe.
5. Pour faire fonctionner la fonction de marche arrière sur ce ventilateur, faites glisser l'interrupteur de marche arrière sur la position opposée.
6. Évitez de placer des objets dans le chemin des pales.
7. Pour éviter de blesser quelqu'un ou d'endommager le ventilateur ou d'autres éléments, soyez prudent lorsque vous travaillez autour ou nettoyez le ventilateur.
8. Assurez-vous que l'endroit d'installation que vous choisissez permet un dégagement minimum de 7 pieds des pales au plancher et d'au moins 30 pouces des extrémités des pales à tout obstacle.
9. Ne pas utiliser d'eau ou de détergents pour nettoyer le ventilateur ou les pales du ventilateur. Un chiffon sec ou légèrement humidifié convient à la plupart des nettoyages.
10. Après avoir effectué les branchements électriques, les conducteurs épissés doivent être retournés vers le haut et poussés avec précaution vers le haut dans le boîtier de sortie. Les fils doivent être écartés avec le fil de terre et le fil blanc (commun) d'un côté et le fil noir (de charge) de l'autre côté du boîtier de sortie.
11. Les schémas électriques sont fournis uniquement à titre de références. Les kits d'éclairage qui ne sont pas emballés avec le ventilateur doivent être répertoriés ETL et marqués pour une utilisation avec le ventilateur modèle que vous installez. Les interrupteurs doivent être des interrupteurs à usage général ETL. Se référer aux instructions fournies avec les kits d'éclairage et les interrupteurs pour un montage correct.

AVERTISSEMENT

AFIN DE RÉDUIRE LES RISQUES DE BLESSURES CORPORELLES, ÉVITEZ DE PLIER LES SUPPORTS DE LAME (ÉGALEMENT APPELÉS BRIDES) PENDANT L'ASSEMBLAGE OU APRÈS L'INSTALLATION. ÉVITEZ DE PLACER DES OBJETS DANS LE CHEMIN DES PALES.

OUTILS NÉCESSAIRES

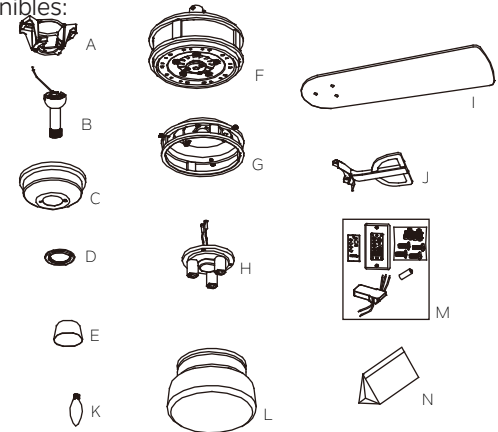
- Lame de tournevis
- Phillips Clés de
- Tournevis 11 mm
- Escabeau
- Coupe-fils



CONTENU DE L'EMBALLAG

Déballiez votre ventilateur et vérifiez son contenu. Les articles suivants doivent être disponibles:

- A. Support de montage
 - B. Assemblage de la boule et de la tige de descente (1)
 - C. Auvent
 - D. Anneau de garniture d'auvent
 - E. Couvercle d'accouplement
 - F. Corps du moteur
 - G. Plaque de montage H. Kit d'éclairage
 - I. Pales de ventilateur (5)
 - J. Jeu de 5 bras à 5 lames et vis de montage préinstallées
 - K. Ampoule LED B10 de 4 watts (3)
 - L. Verre Abat-jour
 - M. Kit de commande
 - N. Package du matériel
- 1) Matériel de montage :
connecteurs de fils (3)
 - 2) Matériel de de fixation de pale :
vis (15)
 - 3) Matériel du câble de sécurité :
vis à bois (1), rondelle élastique (1),
Rondelle plate (1)
 - 4) Matériel de manchon antidérapant :
Manchon antidérapant (3)



OPTIONS DE MONTAGE

S'il n'y a pas de boîtier de montage homologué UL (cUL pour installation au Canada), lisez les instructions suivantes. Déconnecter l'alimentation en retirant les fusibles ou en coupant les fusibles.

Fixer le boîtier externe directement sur la structure du bâtiment. Utiliser des attaches et des matériaux de construction appropriés. Le boîtier externe et son support doivent pouvoir supporter entièrement le poids mobile du ventilateur (au moins 50 lb). Évitez d'utiliser des boîtiers externes en plastique.

Les figures 1,2 et 3 sont des exemples des différents moyens de monter le boîtier externe.

REMARQUE: Si vous installez le ventilateur de plafond sur une pente (voûtée)

vous aurez peut-être besoin d'une tige descendante plus longue pour maintenir un dégagement adéquat entre l'extrémité de la lame et le plafond. Un dégagement minimum de 12" est suggéré pour un fonctionnement optimal.

REMARQUE: Pour une pente de 30° (angle maxi 30°), vous devez utiliser une tige de 12" ou plus en aval. (Fig. 3)

REMARQUE: Selon l'endroit que vous avez choisi pour l'installation, il se peut que vous ayez besoin d'acheter et d'installer un "support de solive" pour le support du boîtier externe. S'assurer que le support de solives que vous achetez a été conçu pour être utilisé avec des ventilateurs de plafond. (Fig. 4)

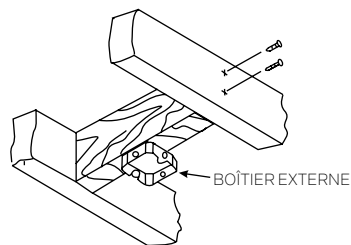


Fig. 1

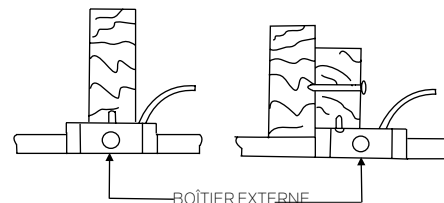


Fig. 2

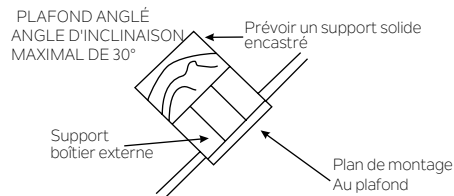


Fig. 3

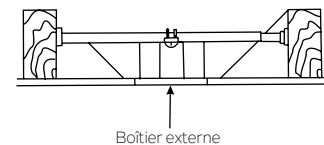


Fig. 4

SUSPENSION DU VENTILATEUR

TOUJOURS mettre l'appareil hors tension avant de commencer l'installation. Ceci est nécessaire pour votre sécurité et aussi pour la programmation correcte du système de contrôle.

Pour installer correctement votre ventilateur de plafond, suivez les étapes ci-dessous.

Étape 1 . Avant de fixer le ventilateur au boîtier externe (non fournie), assurez-vous que le boîtier externe est solidement fixé à au moins deux points d'un élément de plafond structurel (une boîte libre fera vaciller le ventilateur). Faites passer les fils d'alimentation de 120 volts du boîtier de sortie au plafond par le centre du support de montage au plafond. Installez le support de montage du boîtier externe dans le plafond à l'aide des vis et des rondelles fournies avec le boîtier externe. (Fig. 5)

Étape 2 : Retirez l'une des deux vis à épaulement du support de montage et conservez-la pour une utilisation ultérieure. Desserrer la deuxième vis à épaulement sans la retirer complètement. (Fig. 6)

Étape 3. Retirer la rotule de suspension de l'ensemble de la tige de descente en desserrant les vis de réglage, en retirant la goupille cruciforme et en tournant la rotule ou la tige (Fig. 7).

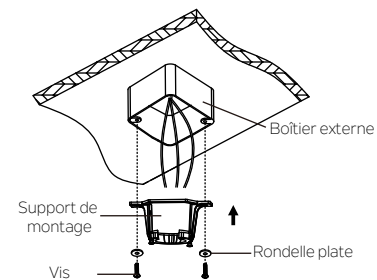


Fig. 5

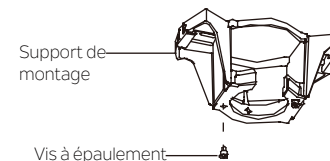


Fig. 6

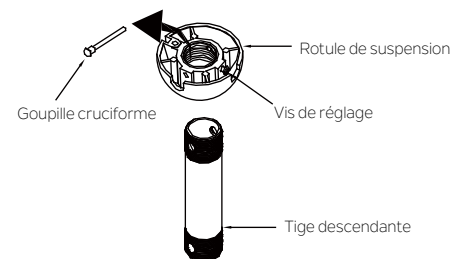


Fig. 7

SUSPENSION DU VENTILATEUR (SUITE)

Étape 4. Desserrer les deux vis de réglage et retirer le clip et la goupille cruciforme de l'accouplement supérieur du corps du moteur et faire passer délicatement les fils du ventilateur à travers la tige de descente. Visser la tige de descente sur l'accouplement du moteur jusqu'à ce que les trous des goupilles transversales soient alignés. Remplacez ensuite la goupille cruciforme et le clip, puis serrez les deux vis de réglage. (Fig.8)

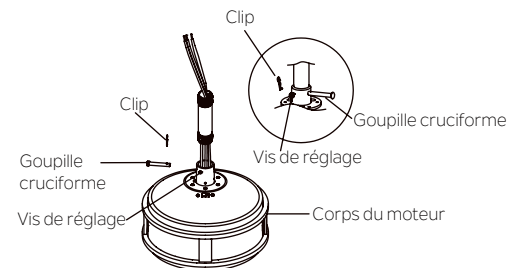


Fig. 8

Étape 5. Glissez le couvercle de l'accouplement, l'anneau de garniture de l'auvent et l'auvent sur la tige de descente. Remettez soigneusement en place la boule de suspension sur la tige de descente. S'assurer que la goupille cruciforme est dans la bonne position, que les vis de réglage sont serrées et que les fils ne sont pas torsadés. (Fig.9)

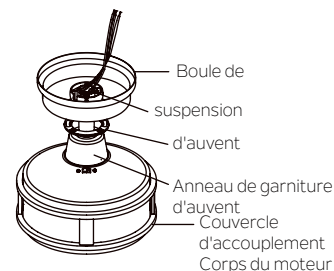


Fig. 9

Étape 6. Soulever maintenant le corps du moteur en position et placer la boule de suspension dans le support de suspension. Tourner jusqu'à ce que la « l'onglet contrôle » tombe dans la « fente d'enregistrement » et s'insère fermement. (Fig.10) Le corps entier du moteur ne doit pas tourner si cela est fait correctement.

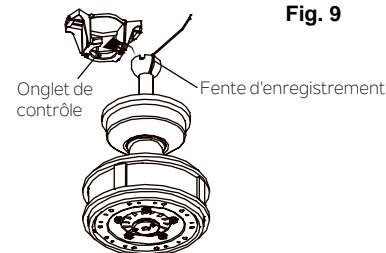


Fig. 10

AVERTISSEMENT: Une mauvaise mise en place de la « l'onglet vérifier » pourrait endommager le ventilateur de plafond pendant le fonctionnement.

INSTALLATION DU SUPPORT DE SÉCURITÉ (requis uniquement pour l'installation au Canada)

Un câble de support de sécurité est fourni pour éviter que le ventilateur de plafond ne tombe en panne, veuillez l'installer comme suit.

Étape 1. Enfoncez une vis à bois et des rondelles dans le côté de l'entretoise qui maintient le boîtier externe. Laissez un espace de 3 mm (1/8") entre l'entretoise de support et la rondelle. (Fig. 11)

Étape 2. Insérez le câble de sécurité à travers le support de montage et l'un des trous dans le boîtier externe dans le plafond. Ajuster la longueur du câble de sécurité pour atteindre la vis et les rondelles en tirant le câble supplémentaire à travers le serre-câble jusqu'à ce que la longueur totale soit correcte, remettre l'extrémité du câble à travers le serre-câble en formant une boucle à l'extrémité du câble. Serrer fermement le serre-câble. Placer la boucle à l'extrémité du câble de sécurité sur la vis à bois et sous la rondelle. Serrer correctement la vis à bois. (Fig. 12)

REMARQUE: Le câble de support de sécurité est requis uniquement certes pour les installations canadiennes. Il est conseiller d'effectuer la fixation avec n'importe quelle installation.

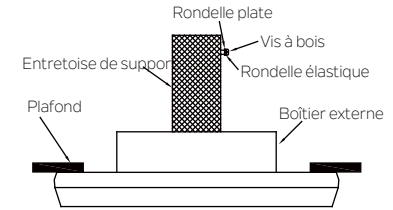


Fig. 11

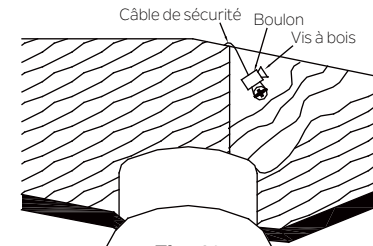


Fig. 12

RÉGLAGE DU SYSTÈME DE CONTRÔLE

REMARQUE: La commande murale et le récepteur ont 16 combinaisons de codes différents. Pour éviter d'éventuelles interférences avec d'autres unités distantes, il suffit de changer le code de combinaison sur le récepteur et la commande murale comme indiqué ci-dessous.

Étape 1. Faites glisser les commutateurs de code du récepteur vers le haut ou vers le bas à l'aide d'un petit stylo à bille (non fourni). (Fig. 13)

Étape 2. Pour régler le code sur la commande murale, utiliser un petit tournevis plat et l'écartier doucement du haut ou du bas de la plaque de commutation. Glisser les commutateurs de code sur les mêmes positions que celles réglées sur le récepteur. (Fig.13)

REMARQUE: Le réglage d'usine est à zéro. Ne pas utiliser cette position.

REMARQUE: Si vous utilisez plus d'un ventilateur dans la même zone et que vous voulez les contrôler séparément, modifier le réglage des commutateurs de code du récepteur et de la commande murale sur un nouveau réglage.

Étape 3. Installer la batterie 23A 12V (incluse) avec le système de contrôle mural et s'assurer qu'elle est correctement installée. Remettre la plaque de commutation en place. (Fig. 14)

REMARQUE: Retirer la pile si la télécommande n'a pas été utilisée pendant une longue période afin d'éviter tout dommage. Ranger le contrôle mural à l'abri de la chaleur ou de l'humidité excessive.

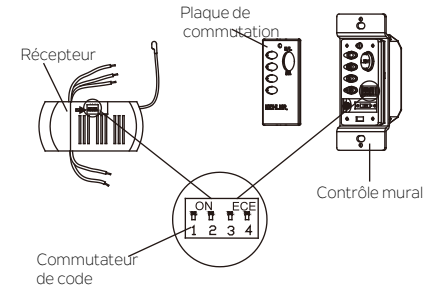


Fig. 13

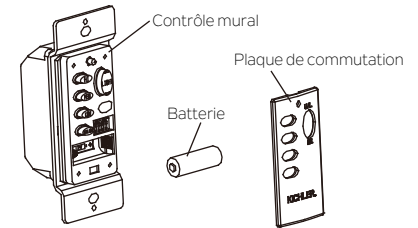


Fig. 14

BRANCHEMENTS ÉLECTRIQUES

AVERTISSEMENT: Pour éviter tout risque d'électrocution, assurez-vous d'avoir coupé l'alimentation du panneau de circuit principal avant de procéder au câblage.

Suivez les étapes ci-dessous pour connecter le ventilateur au câblage de votre maison. Utilisez les connecteurs de fils fournis avec votre ventilateur. Fixer le connecteur avec du ruban électrique. S'assurer qu'il n'y a pas de supports de câbles ou de connexions desserrés.

AVERTISSEMENT: Si les fils de votre maison sont de couleurs différentes de celles mentionnées dans ce manuel, arrêtez immédiatement. Il est recommandé de faire appel à un électricien professionnel pour déterminer le câblage approprié.

Étape 1. Insérer le récepteur dans le support de montage et le maintenir à plat à l'opposé du plafond. (Fig. 15)

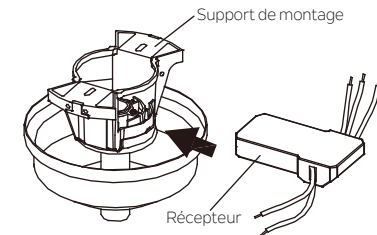


Fig. 15

BRANCHEMENTS ÉLECTRIQUES (suite)

Étape 1. Connexions électriques du moteur au récepteur :

Connecter le fil NOIR du ventilateur au fil NOIR marqué « TO MOTOR L » du récepteur.
Connecter le fil BLANC du ventilateur au fil BLANC marqué « TO MOTOR N » du récepteur.
Connecter le fil BLEU du ventilateur au fil BLEU marqué « FOR LIGHT » du récepteur.

Fixer toutes les connexions de fils à l'aide des connecteurs de fils en plastique fournis. (Fig.16)

Étape 2. Connexions électriques entre le récepteur de la télécommande et le boîtier externe :

Connecter le fil NOIR (chaud) du plafond au fil ROUGE marqué « AC in L » du récepteur.
Connecter le fil BLANC (neutre) du plafond au fil BLANC marqué « AC in N » du récepteur.
Fixer les connexions de fils à l'aide des connecteurs de fils en plastique fournis. (Fig.16)

Étape 3. Connecter les fils VERTS de la boule de suspension et du support de montage à la TERRE (VERTE ou CUIVRE NUE) de la maison à l'aide des connecteurs en plastique fournis. Après avoir branché les fils, écartez-les de façon à ce que les fils vert et blanc soient d'un côté du boîtier externe et les fils bleus et noirs sont de l'autre côté. (Fig.16)

REMARQUE: Introduire soigneusement les connexions des fils dans le boîtier externe.

REMARQUE: Le ventilateur doit être installé à une distance maximale de 30 pieds de l'unité de transmission pour une bonne transmission du signal entre l'unité de transmission et l'unité de réception du ventilateur.

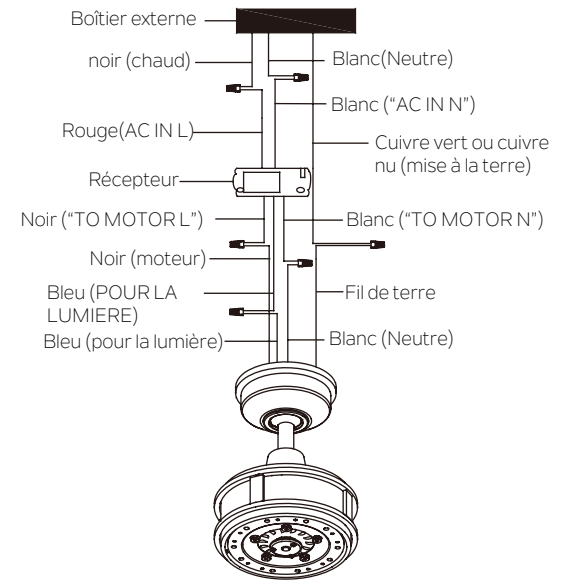


Fig. 16

FIN DE L'INSTALLATION

Étape 1. Assembler l'auvent en faisant pivoter la fente de la clé de la verrière sur la vis à épaulement du support de montage. Serrer la vis à épaulement. Assembler complètement et serrer la deuxième vis à épaulement qui a été retirée précédemment. (Fig. 17)

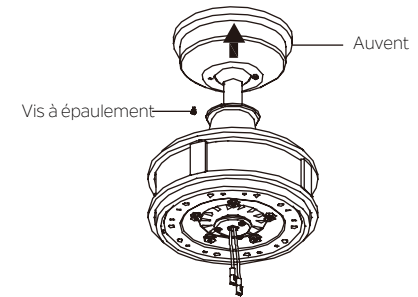


Fig. 17

Étape 2. Fixer et serrer fermement le couvercle du trou de la verrière sur les vis à épaulement du support de montage à l'aide de la fonction de verrouillage par rotation de la rainure de clavette. (Fig. 18)

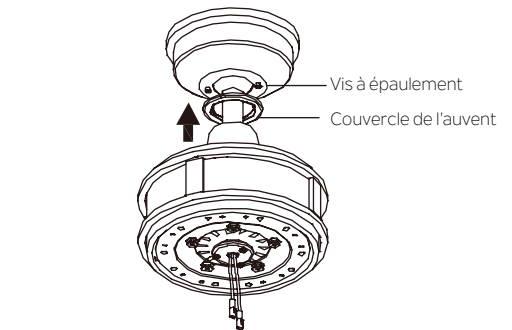


Fig. 18

FIXATION DES PALES DU VENTILATEUR

REMARQUE: Avant de continuer, s'assurer que l'alimentation est coupée en coupant le disjoncteur ou en retirant le fusible du boîtier de circuit.

Étape 1. Positionner la lame sur le bras de la lame avec les poteaux filetés en évidence. S'assurer que le bord inférieur de la lame est bien en place contre le bras de la lame. À l'aide d'un tournevis Philips, visser une vis dans le bras de la lame (ne pas serrer) et répéter l'opération pour les 2 autres vis de lame. Serrer fermement chaque vis en commençant par la vis centrale. S'assurer que la lame est droite.

Répéter les étapes pour les autres lames. (Fig. 19)

Étape 2. Fixer l'ensemble de la lame aux trous situés au bas du volant d'inertie. Serrer les deux vis du moteur « préinstallées » dans le bras de la lame. Répéter les étapes pour les autres ensembles de lames. (Fig. 20)

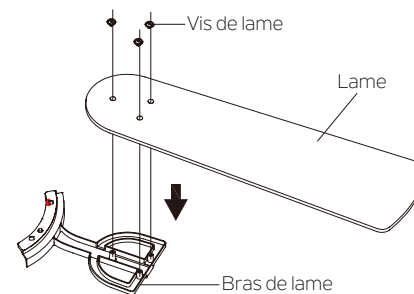


Fig. 19

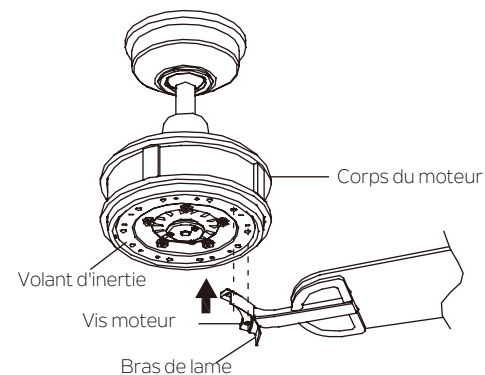


Fig. 20

INSTALLATION DE LA PLAQUE DE MONTAGE

Étape 1. Vous trouverez une étiquette à points sur l'anneau de montage. Retirer les 3 vis préinstallées sur la bague de montage et les conserver pour une réutilisation ultérieure. Aligner les étiquettes à points de la plaque de montage sur l'anneau de montage. Fixer la plaque de montage sur la bague de montage avec les trois vis retirées précédemment. Si nécessaire, régler la plaque de montage pour aligner la jante sur le corps du moteur et la plaque de montage. Serrer correctement les 3 vis (Fig. 21).

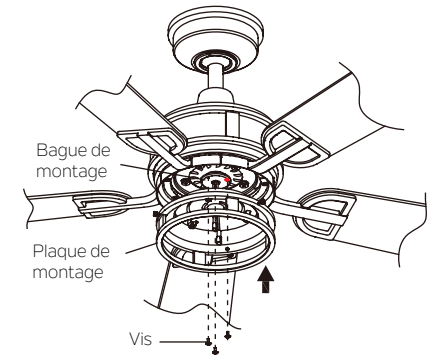


Fig. 21

INSTALLATION DU KIT D'ÉCLAIRAGE

REMARQUE: Avant de poursuivre l'installation, vérifier que l'alimentation est toujours coupée au disjoncteur principal ou en retirant le fusible approprié. Le fait de couper l'alimentation électrique ou d'utiliser un interrupteur mural n'est pas suffisant pour prévenir l'accumulation d'électricité.

Étape 1. Retirer les 3 vis préinstallées de la plaque de montage comme indiqué. Conservez-les pour les réutiliser à l'étape 3. (Fig. 22)

Étape 2. Tenir le kit d'éclairage près de la plaque de montage et connecter les fils BLANCS de la plaque de montage et du ventilateur en poussant les connecteurs ensemble. Suivre la même procédure avec les fils NOIRS. (Fig. 22)

Étape 3. Insérer soigneusement les connexions dans le kit d'éclairage. Aligner les trous de vis sur le kit d'éclairage et la plaque de montage. Serrer fermement les 3 vis retirées précédemment. (Fig. 22)

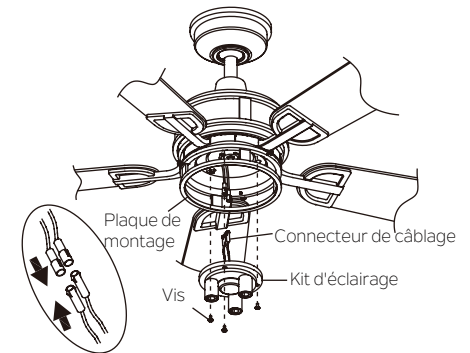


Fig. 22

INSTALLATION DE L'AMPOULE ET DE L'ABAT-JOUR EN VERRE

Étape 1. Installer les ampoules LED B10 de 3,4 watts (fournies). (Fig. 23)

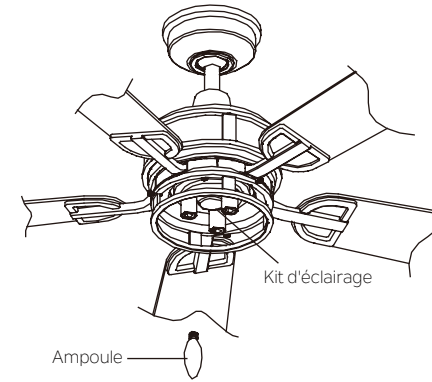


Fig. 23

Étape 2. Placer la douille antidérapante à l'extrémité de la vis à ailettes avec tête moletée. Soulever l'abat-jour en verre en le plaçant contre la plaque de montage et serrer fermement à la main uniquement avec les 3 vis à ailettes pour éviter d'endommager le verre. Ne pas trop serrer les vis (Fig.24).

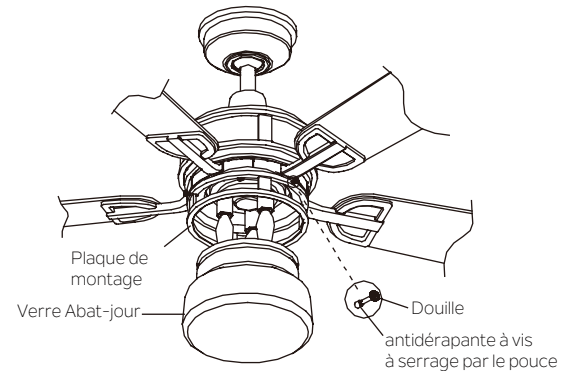


Fig. 24

INSTALLATION DE LA COMMANDE MURALE

Tout le câblage doit être conforme au Code national de l'électricité et aux codes électriques locaux. L'installation électrique doit être effectuée par un électricien qualifié et agréé.

Sélectionner un emplacement pour installer votre commande murale. Vous pouvez remplacer un interrupteur mural existant ou installer la commande murale dans une nouvelle prise de courant.

Remarque: S'assurer que l'alimentation électrique est ÉTEINTE sur le panneau principal avant de continuer.

Remarque: L'INSTALLATION DU COMMUTATEUR DOIT ÊTRE CONFORME À TOUS LES CODES ÉLECTRIQUES LOCAUX ET NATIONAUX.

Étape 1. Retirer la plaque murale existante et l'ancien interrupteur du boîtier de la prise murale. Raccorder les fils NOIR (chauds) ensemble et les repousser à l'intérieur du boîtier externe. (Fig. 25) ou sélectionner l'emplacement souhaité à l'aide d'un nouveau boîtier de prise murale.

Étape 2. Utiliser les vis fournies pour fixer la commande murale à la prise de courant. (Fig. 26)

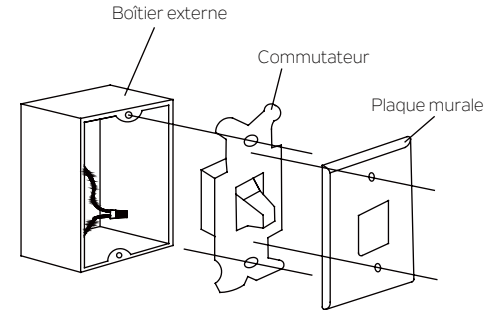


Fig. 25

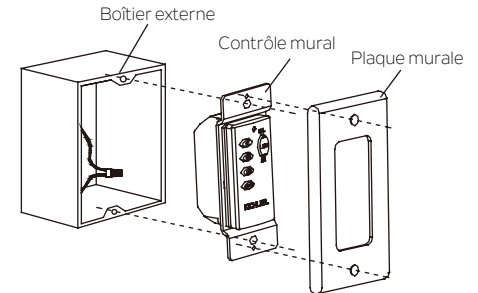


Fig. 26

INSTRUCTIONS DE FONCTIONNEMENT

Rétablir l'alimentation du ventilateur de plafond et vérifier son bon fonctionnement. (Fig. 27)

Tester l'émetteur en appuyant et relâchant N'IMPORTE QUELLE touche. Un voyant ROUGE devrait s'allumer, sinon, vérifier que la pile est insérée et installée correctement.

REMARQUE: Pour éviter d'endommager l'émetteur, retirer la pile en cas de non utilisation prolongée (mois).

1. Contrôle du ventilateur :

Pour démarrer le ventilateur. Appuyer sur la touche de vitesse sélectionnée pour faire fonctionner le ventilateur à la vitesse désirée et appuyer sur la touche "OFF" pour mettre le ventilateur hors tension.

Vitesse élevée HI

MED-moyenne vitesse BASSE vitesse basse

2. Allumer/Éteindre, appuyer et relâcher le bouton de lumière

3. Gradateur de lumière - une pression continue sur le bouton de commande de la lumière atténuée la lumière dans un cycle continu de clair à foncé, ou d'obscur à clair.

4. Ventilateur inverse - contrôle le sens de marche, vers l'avant ou vers l'arrière.

Le réglage de la vitesse par temps chaud ou froid dépend de facteurs tels que la taille de la pièce, la hauteur du plafond, le nombre de ventilateurs, etc.

Fonctionnement par temps chaud : Vers l'avant (dans le sens inverse des aiguilles d'une montre) Un flux d'air descendant crée un effet de refroidissement. Cela vous permet de régler votre climatiseur sur un réglage plus chaud sans affecter votre confort général. (Fig. 28)

Fonctionnement par temps froid : Inverser (dans le sens des aiguilles d'une montre) Un flux d'air ascendant crée de l'air chaud ou dans les zones du plafond. Cela vous permet de régler votre climatiseur sur un réglage plus froid sans affecter votre confort général. (Fig. 28)

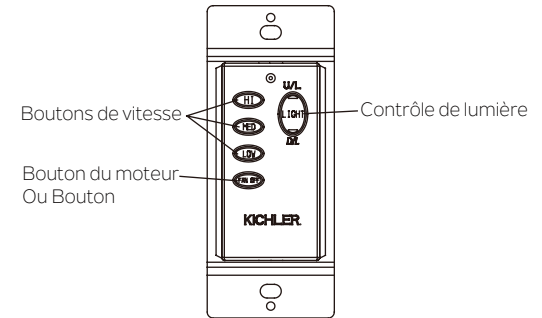


Fig. 27

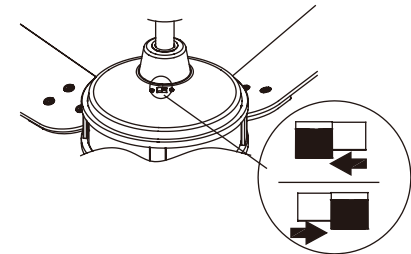


Fig. 28

DÉPANNAGE

Problème

Solution

Le ventilateur ne démarre pas.

1. Vérifier les fusibles ou disjoncteurs.
2. Vérifier toutes les connexions électriques pour s'assurer du bon contact. ATTENTION : S'assurer que l'alimentation principale est coupée lorsque vous vérifiez le branchement électrique.
3. S'assurer que les piles du transmetteur sont correctement installées. Côté positif (+) orienté vers l'extérieur.
4. S'assurer que les piles sont correctement chargées.

Le ventilateur est bruyant.

1. S'assurer que toutes les vis du carter du moteur sont correctement serrées.
 2. S'assurer que les vis qui fixent les supports des pales du ventilateur au moteur sont bien serrées.
 3. S'assurer que les connexions des écrous ne frottent pas l'une contre l'autre ou contre la paroi intérieure du boîtier de l'interrupteur.
- ATTENTION:** S'assurer que l'alimentation principale est coupée.
4. Prévoir une période de rodage de 24 heures. La plupart des bruits associés à un nouveau ventilateur disparaissent pendant ce temps.
 5. Si vous utilisez un ensemble d'éclairage optionnel, assurez-vous que les vis qui fixent la verrerie sont correctement serrées et que les ampoules ne touchent aucun autre composant.
 6. Ne raccordez pas ce ventilateur à un ou plusieurs variateurs de vitesse muraux. Ils ne sont pas compatibles avec les moteurs de ventilateurs de plafond ou les télécommandes.
 7. Veillez à ce que l'auvent supérieur se trouve à une courte distance du plafond. Il ne doit pas toucher le plafond.

Le ventilateur oscille.

1. S'assurer que toutes les vis de la lame et du bras de la lame sont correctement serrées.
2. La plupart des problèmes d'oscillation du ventilateur se produisent lorsque le niveau des pales est inégal. Vérifier ce niveau en sélectionnant un point sur le plafond au dessus de l'embout des lames. Mesurer la distance. Tourner le ventilateur jusqu'à ce que la pale suivante soit positionnée pour la mesure. Répéter l'opération pour chaque lame. L'écart de distance doit être égal ou inférieur à 1/8".
3. Si l'oscillation de la lame est encore perceptible, l'échange de deux lames adjacentes (côte à côte) peut redistribuer le poids et éventuellement permettre un fonctionnement plus souple.

Dysfonctionnement de la télécommande.

1. Les ventilateurs de plafond avec systèmes de commande à distance NE PEUVENT PAS être utilisés en conjonction avec un autre système de commande SAUF un interrupteur mural On/Ou de base, si désiré.

KICHLER®

www.kichler.com

KICHLER® LIGHTING LLC

7711 EAST PLEASANT VALLEY ROAD P.O. BOX 318010

CLEVELAND, OHIO 44131-8010

SERVICE CLIENT 866.558.5706

DE 8h30 17H, HEURE DE L'EST

DU LUNDI AU VENDREDI

KICHLER®

52" Lyndon™ Patio LED

Las siguientes imágenes del producto pueden variar ligeramente del producto real.



MANUAL DE INSTRUCCIONES

TABLA DE CONTENIDOS

REGLAS DE SEGURIDAD	4	FINALIZAR LA INSTALACIÓN	12
INSTRUMENTOS NECESARIOS	5	COLOCACIÓN DE LAS ASPAS DEL VENTILADOR	13
CONTENIDOS DEL PAQUETE	5	INSTALAR LA PLACA DE MONTAJE	14
OPCIONES DE MONTAJE	6	INSTALAR EL KIT DE ILUMINACIÓN	14
COLGAR EL VENTILADOR	7	INSTALAR LA BOMBILLA DE VIDRIO MATIZADO	15
INSTALACIÓN DEL SOPORTE DE SEGURIDAD	9	INSTALAR EL CONTROL DE PARED	16
SISTEMA DE CONTROL ESTABLECIDO	10	INSTRUCCIONES DE FUNCIONAMIENTO	17
CONEXIONES ELÉCTRICAS	10	SOLUCIÓN DE PROBLEMAS	18

REGLAS DE SEGURIDAD

LEER Y GUARDAR ESTAS INSTRUCCIONES

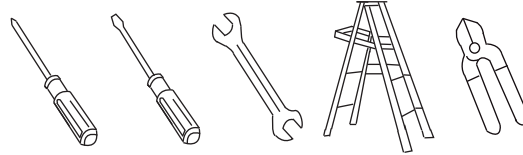
1. Para reducir un posible riesgo de descarga eléctrica, debe estar seguro de que se haya apagado la electricidad en el disyuntor o en la caja de fusibles antes de iniciar.
2. Todo el cableado debe estar de acuerdo con el Código Eléctrico Nacional y los códigos eléctricos locales. La instalación eléctrica debe ser realizada por un electricista calificado con licencia.
3. **ADVERTENCIA:** Para prevenir el riesgo de incendio o descarga eléctrica, use solo el control provisto con el ventilador.
4. **ADVERTENCIA:** Para prevenir el riesgo de incendio, descarga eléctrica o lesiones personales, móntelo directamente en un miembro de estructura estructural o en una caja tomacorrientes marcada como "Aceptable para Soporte de Ventilador de 15.9 kg (35 lb) o menos". Para el montaje de la caja tomacorrientes, use los tornillos de montaje provistos con la caja tomacorrientes.
5. Para operar la función de inversión en este ventilador, deslice el interruptor de inversión a la posición opuesta.
6. Evite colocar objetos en el camino de las aspas.
7. Para evitar lesiones personales o daños al ventilador y otros elementos, debe tener cuidado al trabajar o limpiar el ventilador.
8. Debe estar seguro de que el sitio de instalación que elija permita un espacio libre mínimo de 7 pies desde las aspas hasta el piso y al menos 30 pulgadas desde los extremos de las aspas hasta cualquier obstrucción.
9. Cuando limpie el ventilador o las aspas, no debe usar agua o detergentes. Un paño para polvo seco o un paño ligeramente humedecido será adecuado para la mayoría de las limpiezas.
10. Después de hacer las conexiones eléctricas, los conductores empalmados deben girarse hacia arriba y empujarse con mucho cuidado hacia arriba en la caja tomacorrientes. Los cables deben separarse con el cable de tierra y el cable blanco (común) a un lado con el cable negro (carga) al otro lado de la caja tomacorrientes.
11. Los diagramas eléctricos son solo de referencia. Los kits de iluminación que no están empacados con el ventilador deben estar listados en ETL y marcados como adecuados para usar con el modelo de ventilador que está instalando. Los interruptores deben ser interruptores de uso general ETL. Lea las Instrucciones Incluidas con los kits de iluminación y los interruptores para un ensamblaje adecuado.

ADVERTENCIA

PARA REDUCIR EL RIESGO DE LESIONES PERSONALES, NO DOBLE LOS SOPORTES DE LA ASPA (TAMBIÉN SE CONOCEN COMO BRIDAS) DURANTE EL MONTAJE O DESPUÉS DE LA INSTALACIÓN. NO INSERTE OBJETOS EN EL RECORRIDO DE LAS ASPAS.

INSTRUMENTOS NECESARIOS

- Destornillador Phillips
- Destornillador Plano
- Llave de 11 mm
- Escalera de mano
- Cortador de cables

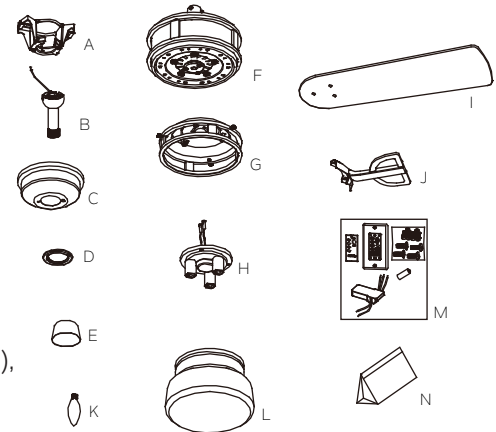


CONTENIDOS DEL PAQUETE

Desembalar su ventilador y verificar el contenido dentro . Debe encontrarse con los siguientes elementos:

- A. Soporte de montaje
- B. Ensamble para varilla/bola (1)
- C. Cubierta
- D. Anillo para ajustar la cubierta
- E. Cubierta de acoplamiento
- F. Cuerpo del motor
- G. Placa de montaje
- H. Kit de iluminación
- I. Aspas del ventilador (5)
- J. Conjunto de brazo de 5 aspas y tornillos de montaje preinstalados.
- K. Bombilla LED B10 de 4 vatios (3)

- L. Vidrio matizado
- M. Kit de Control
- N. Paquete de Hardware
- 1) Montaje de Hardware:
Conectores de cables (3)
- 2) Hardware de fijación de la aspa:
Tornillos (15)
- 3) Hardware del Cable de Seguridad:
Tornillo para madera (1), Arandela elástica (1),
Arandela plana (1)
- 4) Hardware de la Funda antideslizante:
Funda antideslizante (3)



OPCIONES DE MONTAJE

Si no hay una caja de montaje listada existente UL (cUL para instalación canadiense), entonces debe leer las siguientes instrucciones. Desconecte la caja tomacorrientes de seguridad directamente a la estructura del edificio. Use sujetadores y materiales de construcción apropiados. La caja tomacorrientes y su soporte deben ser capaces de soportar completamente el peso en movimiento del ventilador (al menos 50 lb). No debe utilizar cajas tomacorrientes de plástico.

Las Figuras 1, 2 y 3 son ejemplos de diferentes maneras de montar la caja tomacorriente.

NOTA: Si se encuentra usted instalando el ventilador de techo en un techo inclinado (abovedado), es posible que usted necesite una varilla más larga para mantener una separación adecuada entre la punta de la aspa y el techo. Se recomienda un espacio libre mínimo de 12" para un funcionamiento óptimo.

NOTA: Dependiendo de la ubicación que usted haya seleccionado para la instalación,

NOTA: Debe usar una varilla descendente de 12" o más para una pendiente de 30° (ángulo máx. de 30°). (Fig. 3).

NOTA: Dependiendo de la ubicación que usted haya seleccionado para la instalación, es posible que necesite comprar e instalar un " Colgante de Viga " para el soporte de la caja tomacorrientes. Asegúrese de que el soporte de la viga que compre haya sido diseñado para usarse con ventiladores de techo. (Fig. 4).

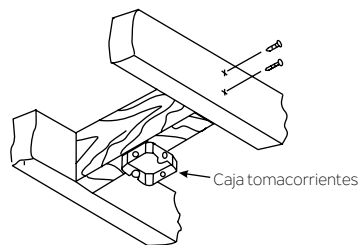


Fig. 1

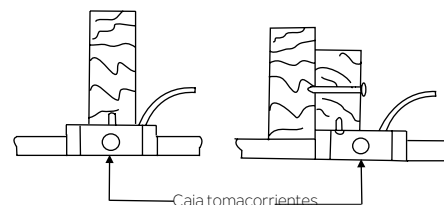


Fig. 2

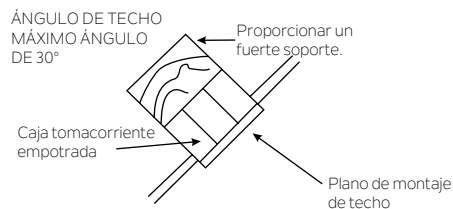


Fig. 3

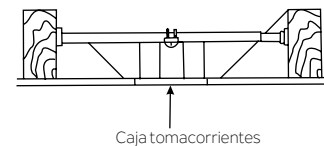


Fig. 4

COLGAR EL VENTILADOR

RECORDAR apagar la alimentación antes de iniciar la instalación. Esto es necesario para su seguridad y también para la programación adecuada del Sistema de Control. Para instalar de forma correcta su ventilador de techo, siga los siguientes pasos.

Paso 1 . Antes de conectar el ventilador a la caja tomacorrientes (no está incluido), debe comprobar de que la caja tomacorrientes esté firmemente sujeta en al menos dos puntos a un miembro de techo estructural (una caja suelta hará que el ventilador se tambalee). Pase los cables de suministro de 120 voltios desde la caja tomacorrientes del techo a través del centro del soporte de montaje en el techo. Instale el soporte de montaje en la caja tomacorrientes en el techo con los tornillos y arandelas incluidos con la caja tomacorrientes (Fig. 5)

Paso 2 : Ahora debe retirar uno de los dos tornillos sujetadores en el soporte de montaje y guárdelo para su uso posterior. Afloje el segundo tornillo sujetador sin quitarlo por completo. (Fig. 6)

Paso 3. Retirar la bola de suspensión del conjunto de la barra inferior aflojando los tornillos de fijación, retirando el pasador transversal y girando la bola de la barra(varilla) (Fig. 7)

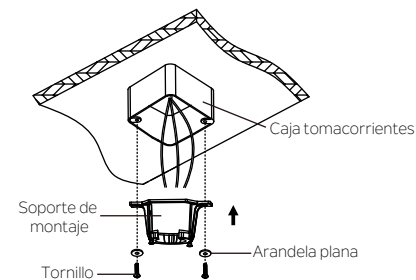


Fig. 5

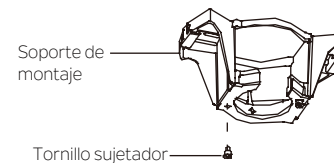


Fig. 6

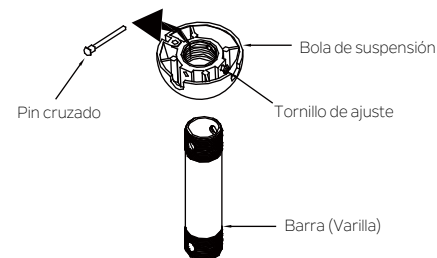


Fig. 7

COLGAR EL VENTILADOR (continuación)

Paso 4. Aflojar los dos tornillos de fijación y retire el clip y el pasador transversal del acoplamiento superior del cuerpo del motor. Debe introducir con cuidado los cables del ventilador hacia arriba a través de la varilla.

Luego debe enroscar la varilla en el acoplamiento del motor hasta que los orificios de los pasadores transversales estén alineados.

Luego, reemplace el pasador y el clip cruzados, y apriete ambos tornillos de fijación. (Fig.8)

Paso 5. Deslice la cubierta del acoplamiento, el anillo de ajuste del dosel y el dosel sobre la varilla. Vuelva a instalar con mucho cuidado la bola de suspensión en la varilla. Asegúrese de que el pasador transversal esté en la posición correcta y que los tornillos de fijación estén apretados y que los cables no estén torcidos. (Fig.9)

Paso 6. Ahora levante el cuerpo del motor a su posición y coloque la bola de suspensión en el soporte de suspensión. Gire hasta que la "Anilla de control" haya caído en la "Ranura de registro" y se asiente firmemente. (Fig.10) Todo el cuerpo del motor no debe girar si esto se hace manera correcta.

ADVERTENCIA: Al fallar el ajuste correctamente la "Anilla de control" puede dañar el ventilador de techo durante el funcionamiento.

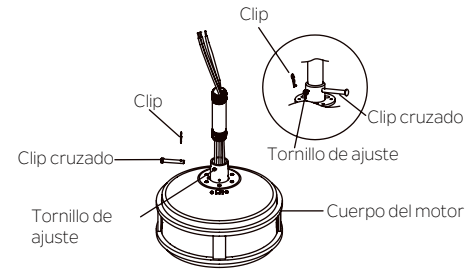


Fig. 8

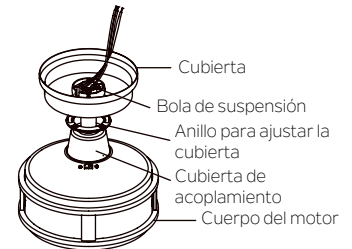


Fig. 9

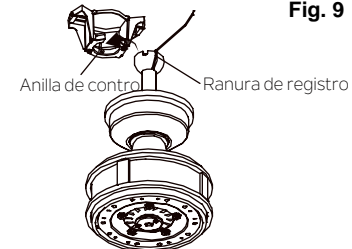


Fig. 10

INSTALACIÓN DEL SOPORTE DE SEGURIDAD (SOLOMENTE requerido para instalación Canadiense)

Se proporciona un cable de soporte de seguridad para ayudar a evitar que el ventilador de techo se caiga, por favor, instálelo como se indica a continuación.

Paso 1. Insertar un tornillo para madera y arandelas en el costado de la abrazadera que sostiene la caja tomacorrientes. Deje 3 mm (1/8 ") de espacio entre la abrazadera de soporte y la arandela (Fig. 11)

Paso 2. Insertar el cable de seguridad a través del soporte de montaje y uno de los agujeros en la caja tomacorrientes en el techo. Ajuste la longitud del cable de seguridad para alcanzar el tornillo y las arandelas tirando del cable adicional a través de la abrazadera del cable hasta que la longitud total sea correcta, luego colocar el extremo del cable otra vez mediante la abrazadera del cable, formando un bucle en el extremo del cable . Apriete muy bien la abrazadera del cable. Ahora, coloque el lazo en el extremo del cable de seguridad sobre el tornillo de madera y debajo de la arandela. Apriete el tornillo para madera de forma segura (Fig. 12).

NOTA: Aunque el cable de soporte de seguridad es necesario solo para instalaciones canadienses. Es una buena idea hacer el montaje con cualquier instalación.

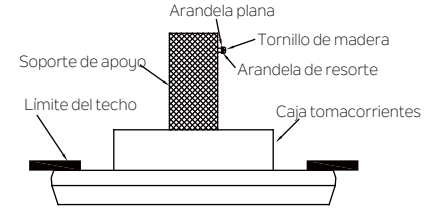


Fig. 11

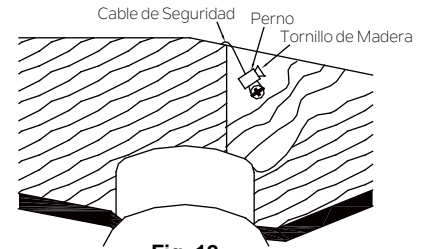


Fig. 12

SISTEMA DE CONTROL ESTABLECIDO

NOTA: El control de pared y el receptor tienen 16 combinaciones de códigos diferentes. Para evitar posibles interferencias desde o hacia otras unidades remotas, solo debe cambiar el código de combinación en el receptor y el control de pared mostrado a continuación.

Paso 1. Deslice los interruptores de código del receptor hacia arriba o hacia abajo con un bolígrafo pequeño (no está incluido). (Fig. 13)

Paso 2. Para configurar el código en el control de pared, use un destornillador plano pequeño y sáquelo suavemente de la parte superior o inferior de la placa del interruptor. Luego deslice los interruptores de código a las mismas posiciones establecidas en el receptor. (Fig. 13)

NOTA: Todos los ajustes de fábrica están activados. No use esta posición.

NOTA: Si está utilizando más de un ventilador en la misma área y desea controlarlos por separado, cambie los interruptores de código del receptor y el control de pared a una nueva configuración.

Paso 3. Instalar la batería 23A 12V (incluida) con el sistema de control de pared y asegúrese de que esté asentada de forma correcta. Luego reemplace la placa del interruptor. (Fig. 14)

NOTA: Retirar la batería si el control remoto no se ha utilizado durante un periodo largo para evitar daños. Guarde el control de la pared alejado del calor o la humedad extrema.

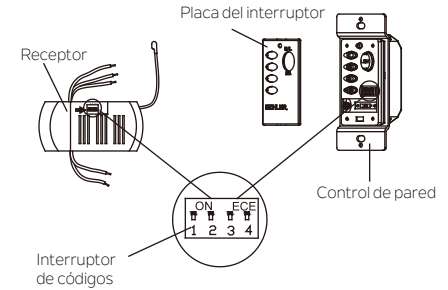


Fig. 13

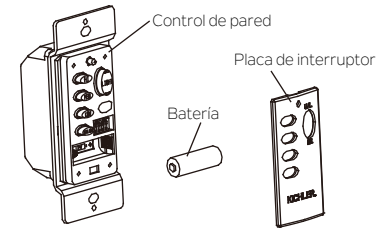


Fig. 14

CONEXIONES ELÉCTRICAS

ADVERTENCIA: Para prevenir una posible descarga eléctrica, asegúrese de haber apagado la corriente en el panel del circuito principal antes de realizar el cableado.

Debe seguir los siguientes pasos a continuación para conectar el ventilador al cableado de su hogar. Use los conectores de cables suministrados con su ventilador. Asegure el conector con cinta aislante. Verifique de que no haya bases o conexiones sueltas.

ADVERTENCIA: Si los cables de su casa son de colores diferentes a los mencionados en este manual, deténgase de inmediato. Es recomendable de que un electricista profesional determine el cableado adecuado.

Paso 1. Insertar el receptor en el soporte de montaje y manténgalo plano en oposición al techo. (Fig. 15)

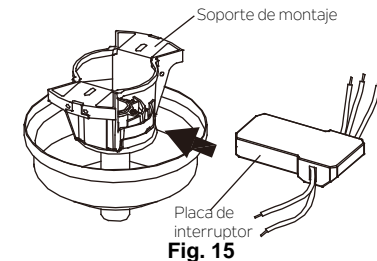


Fig. 15

CONEXIONES ELÉCTRICAS (continuación)

Paso 1. Conexiones eléctricas del motor al receptor:

Conectar el cable NEGRO del ventilador al cable NEGRO marcado "AL MOTOR L" del receptor.

Conectar el cable BLANCO del ventilador al cable BLANCO marcado "AL MOTOR N" del receptor.

Conectar el cable AZUL del ventilador al cable AZUL marcado "PARA LUZ" del receptor.

Asegure todas las conexiones de cables con los conectores de cable de plástico provistos. (Fig.16)

Paso 2. Conexiones eléctricas del receptor remoto a la caja tomacorrientes:

Conectar el cable NEGRO (caliente) del techo al cable ROJO marcado "AC in L" del receptor.

Conectar el cable BLANCO (neutro) del techo al cable BLANCO marcado "AC in N" desde el receptor.

Paso 3. Conectar los cables a TIERRA (VERDE) de la bola de suspensión y el soporte de montaje, a la TIERRA (VERDE o COBRE PELADO) de la casa. Asegure la conexión del cable con los conectores de plástico provistos. Luego de conectar los cables, sepárelos para que los cables verde y blanco estén a un lado de la caja de tomacorrientes y los cables negro y azul al otro lado. (Fig.16)

NOTA: Con mucho cuidado meta las conexiones de los cables en la caja de tomacorrientes.

NOTA: El ventilador debe instalarse a una distancia máxima de 30 pies de la unidad transmisora para una transmisión de señal adecuada entre la unidad transmisora y la unidad receptora del ventilador.

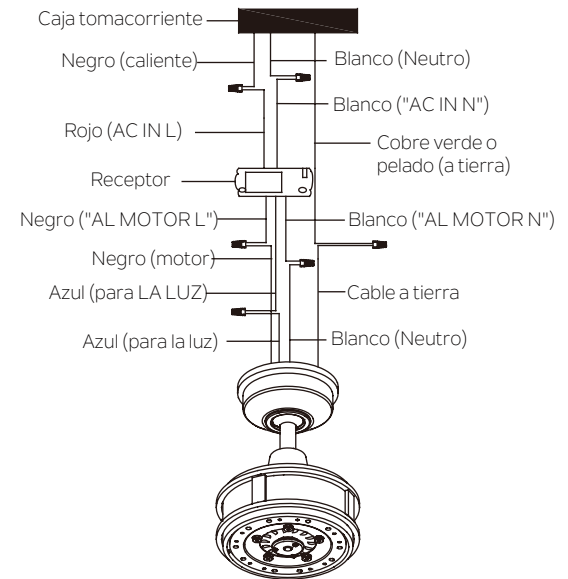


Fig. 16

FINALIZAR LA INSTALACIÓN

Paso 1. Ensamble el dosel girando la ranura de la llave en el dosel sobre el tornillo de hombro en el soporte de montaje. Apriete firmemente el tornillo sujetador. Ensamble por completo y apriete el segundo tornillo sujetador que se retiró previamente. (Fig. 17).

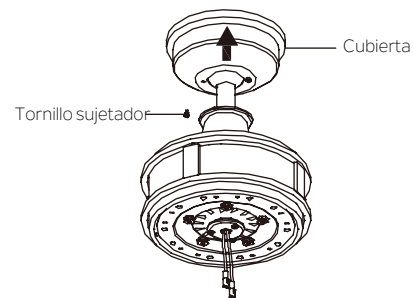


Fig. 17

Paso 2. Fijar y apretar con fuerza la cubierta del orificio del dosel sobre los tornillos sujetadores en el soporte de montaje utilizando la función de bloqueo por torsión de la ranura de la llave. (Fig. 18).

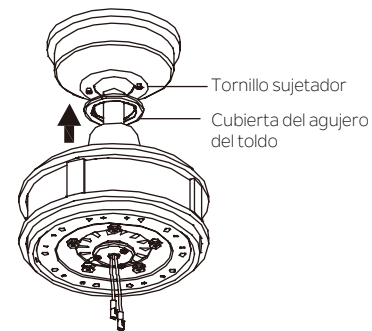


Fig. 18

COLOCACIÓN DE LAS ASPAS DEL VENTILADOR

NOTA: Antes de continuar, asegúrese de que la alimentación esté desconectada apagando el disyuntor o quitando el fusible de la caja de circuitos.

Paso 1. Colocar la aspa sobre el brazo del aspa con los postes roscados mostrados.

Debe estar seguro de que el borde inferior del asta esté completamente asentado contra el brazo del aspa.

Con un destornillador Phillips, coloque un tornillo en el brazo de la aspa (no lo apriete) y repita para los 2 tornillos restantes de la aspa. Apriete cada tornillo de forma segura comenzando por el tornillo central. Debe estar seguro de que la aspa esté recta.

Repetir los mismos pasos para las aspas restantes. (Fig. 19).

Paso 2. Ajustar el conjunto de aspas a los orificios ubicados en la parte inferior del volante. Apriete con fuerza los dos tornillos del motor "preinstalados" en el brazo de la aspa.

Repetir los pasos para los conjuntos de aspas restantes. (Fig. 20)

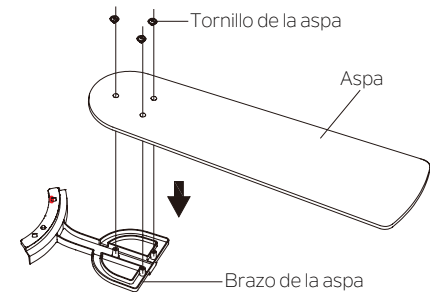


Fig. 19

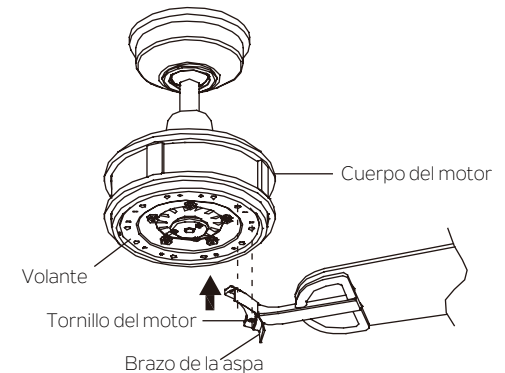


Fig. 20

INSTALAR LA PLACA DE MONTAJE

Paso 1. Va a encontrar una etiqueta de punto en el anillo de montaje. Luego retire los 3 tornillos preinstalados en el anillo de montaje y guárdelos para reutilizarlos más tarde. Alinee las etiquetas de puntos en la placa de montaje con el anillo de montaje. Fije la placa de montaje al anillo de montaje con tres tornillos retirados previamente. Si es necesario , ajuste la placa de montaje, para alinear la llanta tanto en el cuerpo del motor como en la placa de montaje. Debe apretar con fuerza los 3 tornillos (Fig. 21).

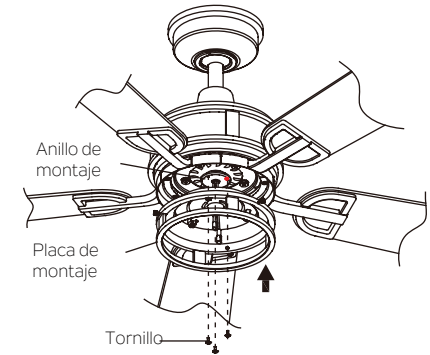


Fig. 21

INSTALAR EL KIT DE ILUMINACIÓN

NOTA: Antes de proseguir con la instalación, confirme que la alimentación todavía está apagada en el disyuntor principal o quitando el fusible adecuado. Apagando la alimentación usando un interruptor de pared no es suficiente para evitar el Stock eléctrico.

Paso 1. Retirar los 3 tornillos preinstalados de la placa de montaje como se muestra. Luego guárdelos para reutilizarlos en el paso 3. (Fig. 22)

Paso 2. Mantener el kit de iluminación cerca de la placa de montaje y conecte los cables BLANCOS de la placa de montaje y el ventilador presionando los conectores. Luego debe continuar con el mismo procedimiento con los cables NEGROS. (Fig. 22)

Paso 3. Meter las conexiones perfectamente en el kit de iluminación. Luego alinear los agujeros para tornillos en el kit de iluminación y la placa de montaje. Apretar con seguridad los 3 tornillos que retiró anteriormente. (Fig. 22).

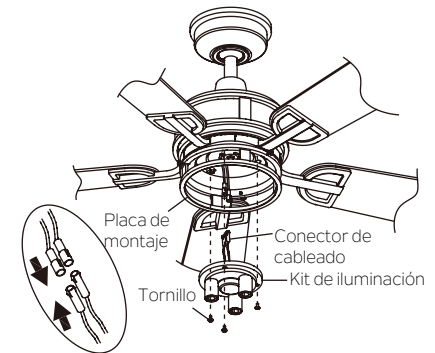


Fig. 22

INSTALAR LA BOMBILLA DE VIDRIO MATIZADA

Paso 1. Instalar las 3 bombillas LED B10 de 4 vatios (ya incluidas). (Fig. 23)

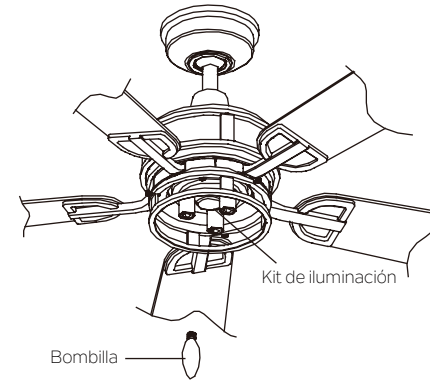


Fig. 23

Paso 2. Colocar la funda antideslizante en el extremo del tornillo con cabeza moleteada. Luego levantar la pantalla de vidrio dejándola contra la placa de montaje y apriete con fuerza con los 3 tornillos moleteados solamente a mano para evitar dañar el vidrio. No necesita apretar demasiado los tornillos (Fig. 24).

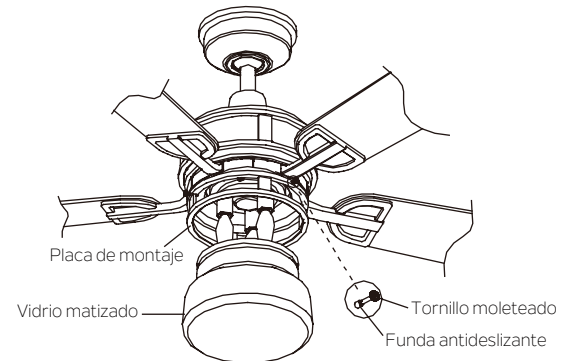


Fig. 24

INSTALAR EL CONTROL DE PARED

Todo el cableado debe ser de acuerdo con el Código Eléctrico Nacional y los códigos eléctricos locales. Solamente un electricista calificado con licencia puede realizar la instalación eléctrica.

Seleccione una ubicación para instalar su control de pared. Usted puede reemplazar un interruptor de pared existente o instalar el control de pared en una nueva caja tomacorrientes de pared.

Nota: Debe estar seguro de que la alimentación eléctrica esté APAGADA en el panel principal antes de continuar.

Nota: LA INSTALACIÓN DEL INTERRUPTOR DEBE CUMPLIR CON TODO EL CÓDIGO ELÉCTRICO LOCAL Y NACIONAL.

Paso 1. Retirar la placa de pared existente y el interruptor viejo de la caja tomacorrientes de pared. Cablear la tuerca de los cables NEGROS (caliente) juntos y empujar hacia atrás dentro de la caja tomacorrientes de pared (Fig. 25) o seleccione la ubicación deseada con una nueva caja tomacorrientes de pared.

Paso 2. Debe usar los tornillos provistos para asegurar el control de pared a la caja tomacorrientes de pared. (Fig. 26)

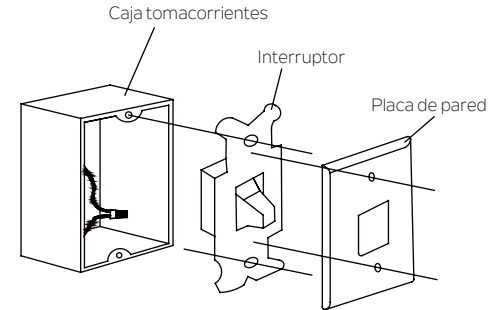


Fig. 25

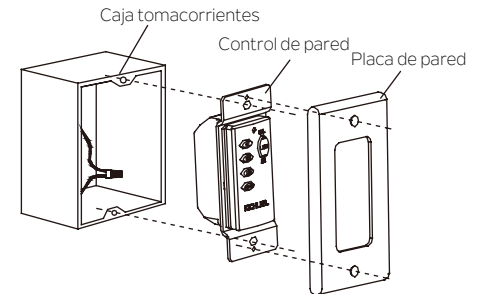


Fig. 26

INSTRUCCIONES DE FUNCIONAMIENTO

Restablezca la energía al ventilador de techo y pruebe que su funcionamiento sea el correcto. (Fig. 27)

Pruebe el transmisor presionando y soltando CUALQUIER botón. Una luz ROJA va a iluminarse; si no, verifique que la batería esté insertada y colocada de manera correcta.

NOTA: Para evitar daños al transmisor, retire la batería si no la utiliza durante un largo tiempo (meses).

1. Control del ventilador:

Para encender el ventilador. Debe presionar el botón de velocidad seleccionado para hacer funcionar el ventilador a la velocidad deseada y presione el botón "APAGADO" para apagar el ventilador.

Velocidad Alta-HI

Velocidad Media -MED

Velocidad Baja-LOW

2. Luz ENCENDIDA/APAGADA- Presione y suelte el botón de luz.

3. Luz reguladora- Continúe presionando en el botón de luz regular la luz en un ciclo continuo de claro a oscuro o de oscuro a claro.

4. Reverso del ventilador: Controla la dirección, hacia adelante o reversa.

Los ajustes de velocidad para una temperatura cálida o fría dependen de factores como el tamaño de la habitación, la altura del techo, la cantidad de ventiladores, etc.

Funcionamiento para climas cálidos: Hacia adelante (en sentido contrario) .Un flujo de aire hacia abajo crea un efecto de enfriamiento. Esto le permite configurar su aire acondicionado en un ambiente más cálido sin afectar su comodidad general. (Fig. 28)

Funcionamiento para climas fríos: Revertir (en el sentido contrario) .Un flujo de aire ascendente crea un aire cálido en las áreas del techo. Esto le permite configurar su aire acondicionado en una configuración más fresca sin afectar su comodidad general. (Fig. 28).

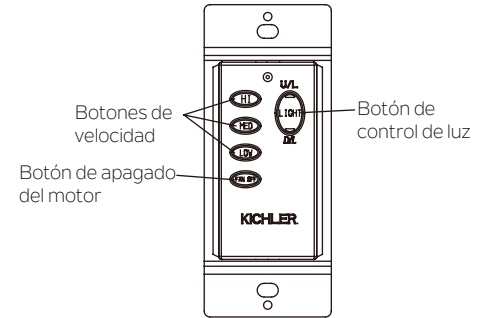


Fig. 27

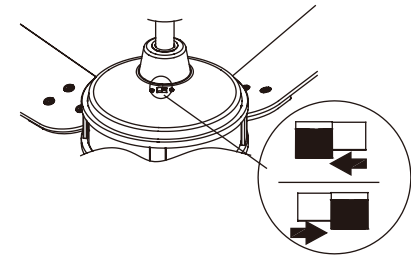


Fig. 28

SOLUCIÓN DE PROBLEMAS

Problema

Solución

El ventilador no funciona

1. Verificar los fusibles o disyuntores del circuito.
2. Verificar todas las conexiones eléctricas para asegurar un contacto adecuado. **PRECAUCIÓN:** Asegúrese de que la alimentación principal esté APAGADA cuando verifique cualquier conexión eléctrica.
3. Cerciorarse de que las baterías del transmisor estén instaladas de manera correcta. Lado positivo (+) hacia afuera.
4. Cerciorarse de que las baterías tengan suficiente carga

El ventilador suena ruidoso.

1. Cerciorarse de que todos los tornillos de la carcasa del motor estén bien ajustados.
 2. Cerciorarse de que los tornillos que sujetan los soportes de las aspas del ventilador al motor estén apretados.
 3. Cerciorarse de que las conexiones de la tuerca para cable no se rocen entre ellos o con la pared interior de la carcasa del interruptor.
- PRECAUCIÓN:** Verificar de que la alimentación principal esté apagada.
4. Permitir un período de " asentamiento " de 24 horas. La mayor parte del ruido asociado con el nuevo ventilador desaparece durante este período.
 5. Si va a utilizar el kit de iluminación opcional, debe estar seguro de que los tornillos que sujetan la cristalería estén apretados. Asegúrese de que las bombillas no toquen ningún otro componente.
 6. No debe conectar este ventilador a un control de velocidad variable montado en la pared. No son compatibles con motores de ventilador de techo o controles remotos.
 7. Cerciorarse de que la cubierta superior esté a poca distancia del techo. No debe tocar el techo.

El ventilador se tambalea.

1. Verificar que todos los tornillos de la aspa y del brazo de la aspa estén seguros.
2. La mayoría de los problemas de tambaleo del ventilador se producen cuando los niveles de las aspas son desiguales. Debe verificar este nivel seleccionando un punto en el techo sobre la punta de una de las aspas. Medir esta distancia. Gire el ventilador hasta que la próxima aspa esté posicionada para la medición. Luego debe repetir para cada aspa. La desviación de la distancia debe ser igual a 1/8 ".
3. Si todavía el tambaleo del asta es evidente, el intercambio de dos astas adyacentes (de lado a lado) puede redistribuir el peso y podría resultar en un funcionamiento más ágil.

El control remoto funciona incorrectamente.

1. Los Ventiladores de techo con sistemas de control remoto NO PUEDEN SER operados en conjunto con ningún otro sistema de control EXCEPTO un interruptor básico de Encendido /Aapagado de pared, si es requerido.

KICHLER®

www.kichler.com

KICHLER® LIGHTING LLC

7711 EAST PLEASANT VALLEY ROAD P.O. BOX 318010

CLEVELAND, OHIO 44131-8010

SERVICIO AL CLIENTE 866.558.5706

DE 8:30 AM A 5:00 PM EST, LUNES A VIERNES