

# KICHLER®

## 52" BASICS PRO LEGACY

Product images may vary slightly from actual product.



## INSTRUCTION MANUAL



# TABLE OF CONTENTS

|                                      |   |                                     |    |
|--------------------------------------|---|-------------------------------------|----|
| SAFETY RULES .....                   | 4 | INSTALLING THE MOTOR HOUSING .....  | 10 |
| TOOLS AND MATERIALS REQUIRED .....   | 5 | ATTACHING THE FAN BLADES .....      | 11 |
| PACKAGE CONTENTS .....               | 5 | INSTALLING THE SWITCH HOUSING ..... | 11 |
| MOUNTING OPTIONS .....               | 6 | OPERATING INSTRUCTIONS .....        | 12 |
| HANGING THE FAN .....                | 7 | TROUBLESHOOTING .....               | 13 |
| ELECTRICAL CONNECTIONS .....         | 8 | SPECIFICATIONS.....                 | 14 |
| INSTALLATION OF SAFETY SUPPORT ..... | 9 |                                     |    |

# SAFETY RULES

1. To reduce the risk of electric shock, ensure electricity has been turned off at the circuit breaker or fuse box before beginning.
2. All wiring must be in accordance with the National Electrical Code (NEC) and local electrical codes. Electrical installation should be performed by a qualified licensed electrician.
3. **WARNING:** To reduce the risk of personal injury, use only the two steel screws (and lock washers) provided with the outlet box for mounting to the outlet box. Most outlet boxes commonly used for the support of lighting fixtures are not acceptable for fan support and may need to be replaced, consult a qualified electrician if in doubt.

## WARNING

TO REDUCE THE RISK OF FIRE, ELECTRIC SHOCK OR PERSONAL INJURY, MOUNT FAN TO OUTLET BOX MARKED "ACCEPTABLE FOR FAN SUPPORT".

4. The outlet box and support structure must be securely mounted and capable of reliably supporting a minimum of 50 pounds. Use only CUL Listed outlet boxes marked "FOR FAN SUPPORT".
5. The fan must be mounted with a minimum of 7 feet clearance from the trailing edge of the blades to the floor.
6. Do not operate reversing switch while fan blades are in motion. Fan must be turned off and blades stopped before reversing blade direction.
7. Avoid placing objects in the path of the blades.

8. To avoid personal injury or damage to the fan and other items, be cautious when working around or cleaning the fan.
9. Do not use water or detergents when cleaning the fan or fan blades. A dry dust cloth or lightly dampened cloth will be suitable for most cleaning.
10. After making the electrical connections, spliced conductors should be turned upward and pushed carefully up into outlet box. The wires should be spread apart with the ground wire and white (common) wire to one side with the black (load) wire to the other side of the outlet box.
11. Electrical diagrams are reference only. Light kits that are not packed with the fan must be Listed and marked suitable for use with the model fan you are installing. Switches must be General Use Switches. Refer to the Instructions packaged with the light kits and switches for proper assembly.

## WARNING

TO REDUCE THE RISK OF PERSONAL INJURY, DO NOT BEND THE BLADE BRACKETS (ALSO REFERRED TO AS FLANGES) DURING ASSEMBLY OR AFTER INSTALLATION. DO NOT INSERT OBJECTS IN THE PATH OF THE BLADES.

# TOOLS AND MATERIALS REQUIRED

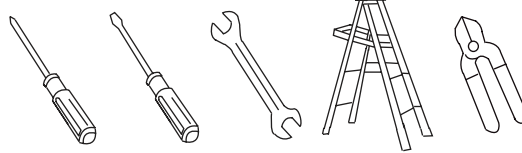
Phillips screwdriver

Blade screwdriver

11mm wrench

Step ladder

Wire cutters



# PACKAGE CONTENTS

Unpack your fan and check the contents. You should have the following items:

A. Fan blades (5)

B. Ceiling mounting plate

C. Motor housing

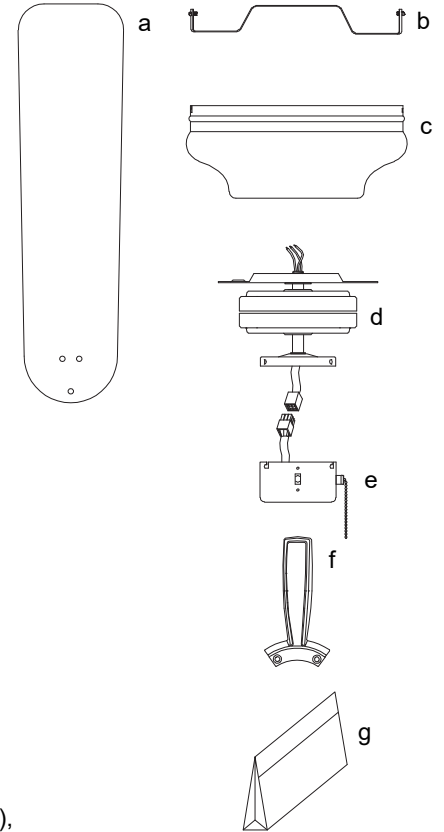
D. Motor and hanger  
bracket assembly

E. Switch housing

F. Set of 5 blade brackets and  
Pre-installed mounting screws

G. Package hardware

- 1) Safety cable hardware:  
wood screw (1), flat washer (1)
- 2) Blade attachment hardware:  
screws (17), washers (17)
- 3) Pull chain and fob (1)
- 4) Balance kit
- 5) Blade bracket attachment hardware:  
screws (2)
- 6) Mounting hardware:  
wood screws(2), flat washers(2), star washers(2),  
wire nuts(3) screws(2)



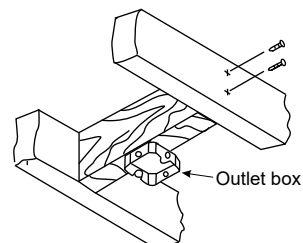
## MOUNTING OPTIONS

If there isn't an existing UL (cUL for Canadian Installation) listed mounting box, then read the following instructions. Disconnect the power by removing fuses or turning off circuit breakers.

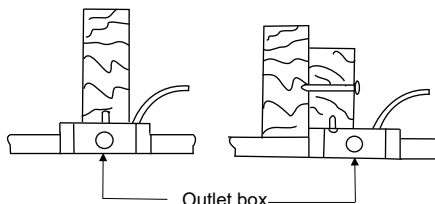
Secure the outlet box directly to the building structure. Use appropriate fasteners and building materials. The outlet box and its support must be able to fully support the moving weight of the fan (at least 50 lbs). Do not use plastic outlet boxes.

Figures 1 and 2 are examples of different ways to mount the outlet box.

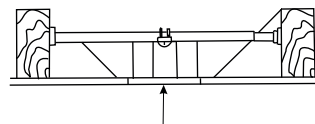
**NOTE:** Depending on the location you have selected for installation, you may need to purchase and install a "Joist Hanger" for the support of the outlet box. Make sure the joist hanger you purchase has been designed for use with ceiling fans. (**Fig. 3**)



**Fig. 1**



**Fig. 2**



**Fig. 3**

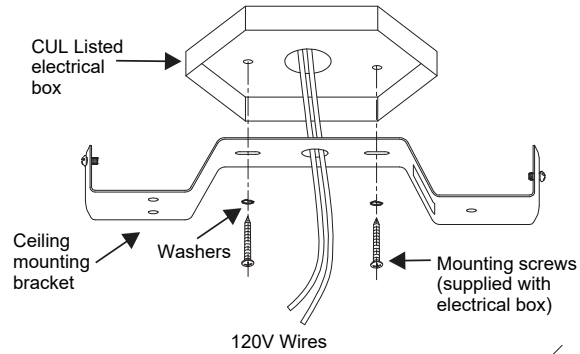
# HANGING THE FAN

**REMEMBER** to turn off the power. Follow the steps below to hang your fan properly.

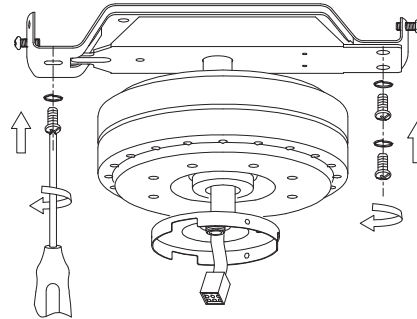
**Step 1.** Secure the ceiling mounting plate to the ceiling outlet box using screws and washers included with your outlet box (**Fig. 4**).

**Step 2.** Carefully lift the fan motor/hanger plate assembly up to the ceiling mounting plate and insert the assembly to one end of the ceiling mounting plate. See **Fig. 5**.

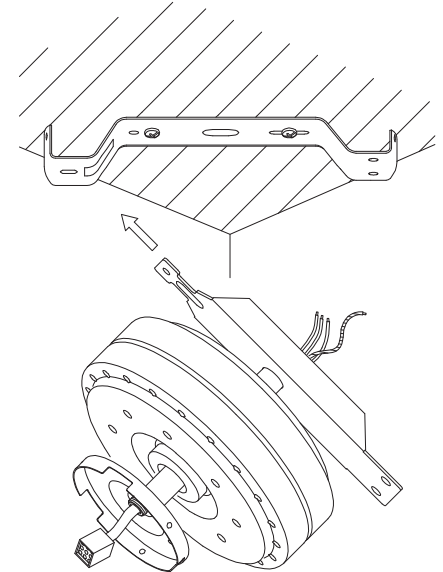
**Step 3.** After hanging the motor to the ceiling mounting plate, secure the motor to the ceiling mounting using the screws and washers. See **Fig. 6**.



**Fig. 4**



**Fig. 6**



**Fig. 5**

# ELECTRIC CONNECTIONS

**WARNING:** To avoid possible electrical shock, be sure you have turned off the power at the main circuit panel.

Follow the steps below to connect the fan to your household wiring. Use the wire connecting nuts supplied with your fan. Secure the connector with electrical tape. Make sure there are no loose wire stands or connections.

**Step 1.** Connect the fan supply (black+blue) wire to the black household supply wire as shown in **Figure 7**.

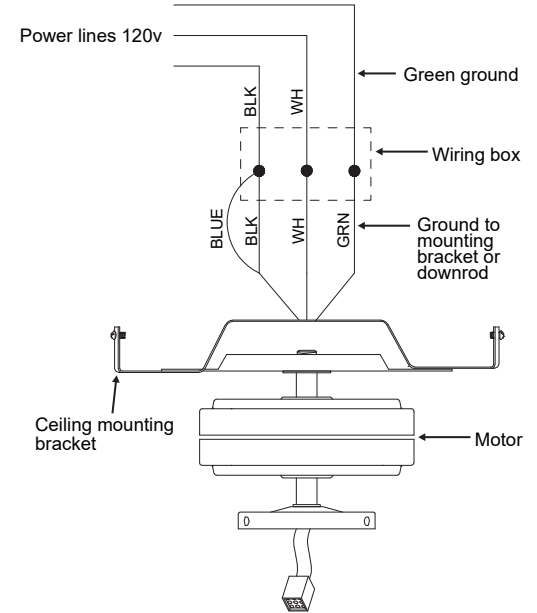
**Step 2.** Connect the neutral fan (white) wire to the neutral household (white) wire.

**Step 3.** Connect the fan ground wire (green) to the household ground wire.

**Step 4.** After connecting the wires, spread them apart so that the green and white wires are on one side of the outlet box and black wires are on the other side.

**Step 5.** Turn the connecting nuts upward and push the wiring into the outlet box.

**WARNING:** TO REDUCE THE RISK OF PERSONAL INJURY AND TO ENSURE THE PROPER OPERATION OF YOUR CEILING FAN, NEVER ATTACH THE BLADE ASSEMBLIES UNTIL THE CEILING FAN HAS BEEN MOUNTED ON THE CEILING. DO NOT BEND THE BLADE ARMS WHILE INSTALLING, BALANCING OR CLEANING THE FAN. DO NOT INSERT FOREIGN OBJECTS BETWEEN ROTATING FAN BLADES.



**Fig. 7**



# INSTALLATION OF SAFETY SUPPORT

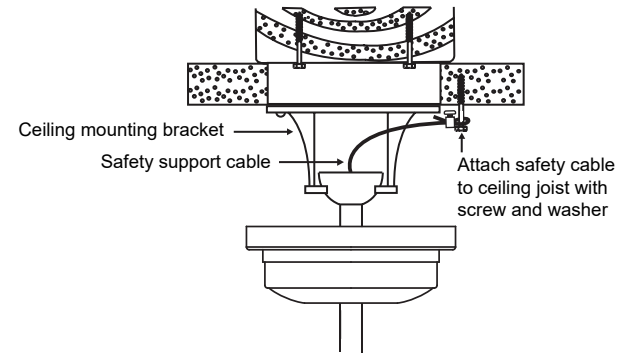
## (Required for Canadian installation ONLY)

A safety support cable is provided to help prevent the ceiling fan from falling. Please install it as follows:

**Step 1.** Attach the provided wood screw and washers to the ceiling joist next to the mounting bracket but do not tighten. (**Fig. 8**)

**Step 2.** Adjust the length of the safety cable to reach the screw and washers by pulling the extra cable through the cable clamp until the overall length is correct. Put the end of the cable back through the cable clamp, forming a loop at the end of the cable. Tighten the cable clamp securely. Put the loop in the end of the safety cable over the wood screw and under the washer. Tighten the wood screw securely.

**NOTE:** Although the safety support cable is required for Canadian installations only, it's a good idea to make the attachment with any installation.



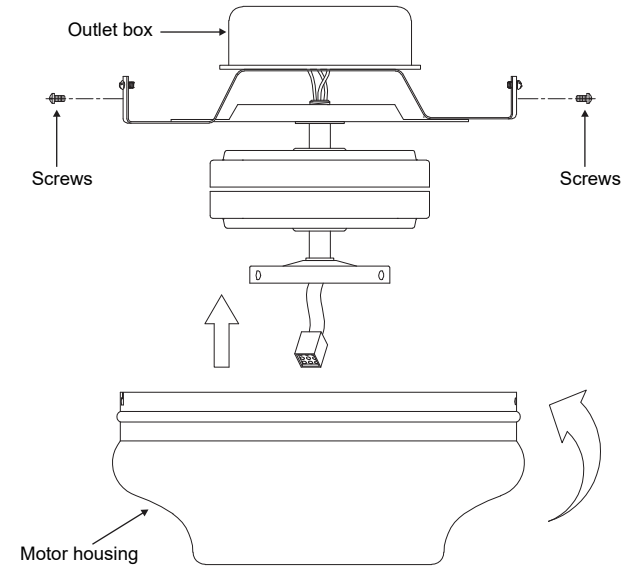
**Fig. 8**

## INSTALLING THE MOTOR HOUSING

Remove the four screws located on the outside edge of the ceiling mounting plate.

Lift the motor housing up and align the mounting holes in the housing to the mounting holes on the ceiling mounting plate.

Insert each mounting screw rotating first one side to the other and then tighten each screw after all four have been started (**Fig. 9**).



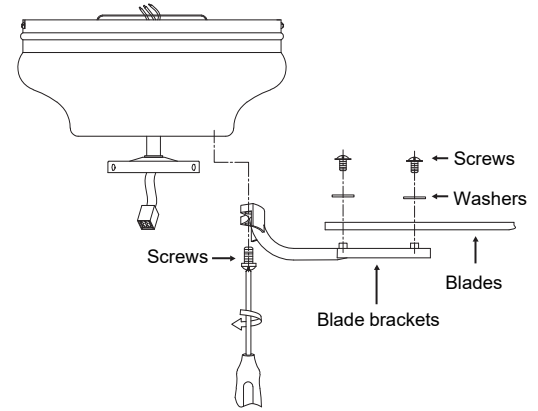
**Fig. 9**

## ATTACHING THE FAN BLADES

**Step 1.** Attach the blade to the blade bracket using the screws and washers as shown in **Figure 10**. Start screw into bracket. Repeat for the two remaining screws.

**Step 2.** Make sure the blade is straight and tighten each screw.

**Step 3.** Fasten blade assembly to motor using “Pre-Installed” mounting screws in the blade bracket.



**Fig. 10**

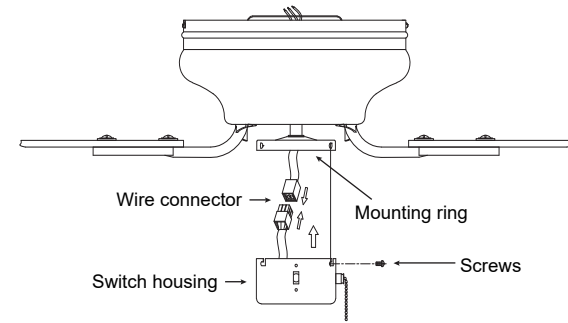
## INSTALLING THE SWITCH HOUSING

**NOTE:** Before continuing installation, confirm that the power is still turned off at the main circuit breaker or by removing the correct fuse. Turning the power off using a wall switch is not sufficient to prevent electrical shock.

**Step 1.** While holding the switch housing under your ceiling fan, push the square wire connectors together. One from the fan and one from the switch housing (**Fig. 11**).

**NOTE:** These connectors are color coded and will ONLY engage when the colored strips are matched (aligned).

**Step 2.** Carefully push all the wires into the switch housing. Attach the switch housing to the mounting ring with the screws provided. Make sure each screw is tight (**Fig. 11**).



**Fig. 11**

# OPERATING INSTRUCTIONS

Turn the power on and check the operation of your ceiling fan. The pull chain controls the fan speed as follows:

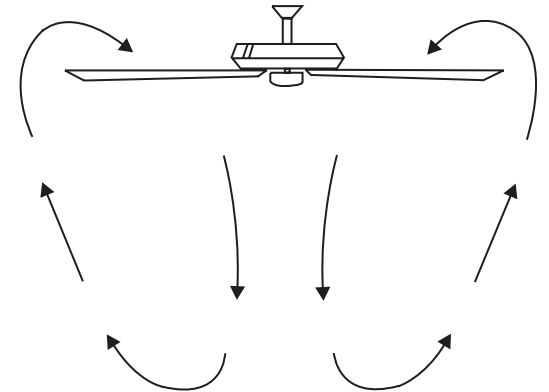
**Step 1.** 3-speed pull chain controls the fan speed as follows: 1 pull = High, 2 pulls = Medium, 3 pulls = Low, and 4 pulls = off.

**NOTE:** To set the fan blades in reverse, the reverse slide switch is located on the side of the switch housing.

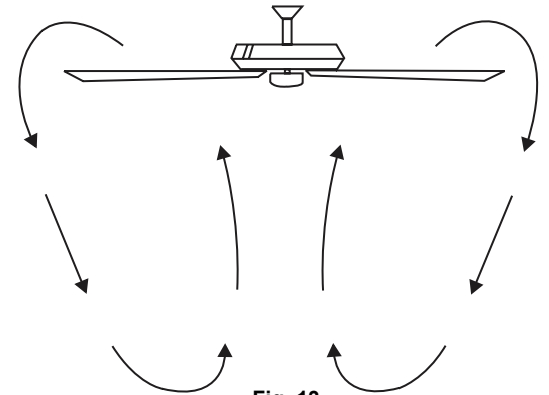
Do not operate reversing switch while fan blades are in motion. Fan must be turned off and blades stopped before reversing blade direction.

Warm weather - Forward (counter clockwise) A downward airflow creates a cooling effect as shown in **Fig. 12**. This allows you to set your air conditioner on a warmer setting without affecting your comfort.

Cool weather - Reverse (clockwise) An upward airflow moves warm air off the ceiling area as shown in **Fig. 13**. This allows you to set your heating unit on a cooler setting without affecting your comfort.



**Fig. 12**



**Fig. 13**

# TROUBLESHOOTING

## Problem

## Solution

**Fan will not start.**

1. Check circuit fuses or breakers.
2. Check all electrical connections to ensure proper contact. **CAUTION:** Make sure the main power is OFF when checking any electrical connection.

**Fan sounds noisy.**

1. Make sure all motor housing screws are snug.
2. Make sure the screws that attach the fan blade brackets to the motor are tight.
3. Make sure wire nut connections are not rubbing against each other or the interior wall of the switch housing. **CAUTION:** Make sure main power is off.
4. Allow a 24-hour “breaking-in” period. Most noise associated with a new fan disappear during this time.
5. If using an optional light kit, make sure the screws securing the glassware are tight. Make sure the light bulbs are not touching any other component.
6. Some fan motors are sensitive to signals from solid-state variable speed controls. If you have installed this type of control, choose and install another type of control.
7. Make sure the upper canopy is a short distance from the ceiling. It should not touch the ceiling.

**Fan wobble.**

1. Check that all blade and blade arm screws are secure.
2. Most fan wobbling problems are caused when blade levels are unequal. Check this level by selecting a point on the ceiling above the tip of one of the blades. Measure this distance. Rotate the fan until the next blade is positioned for measurement. Repeat for each blade. The distance deviation should be equal within 1/8”.
3. Use the enclosed Blade Balancing Kit if the blade wobble is still noticeable.
4. If the blade wobble is still noticeable, interchanging two adjacent (side by side) blades can redistribute the weight and possibly result in smoother operation.

**WARNING:** TO REDUCE THE RISK OF PERSONAL INJURY AND TO ENSURE THE PROPER OPERATION OF YOUR CEILING FAN, NEVER ATTACH THE BLADE ASSEMBLIES UNTIL THE CEILING FAN HAS BEEN MOUNTED ON THE CEILING. DO NOT BEND THE BLADE ARMS WHILE INSTALLING, BALANCING OR CLEANING THE FAN. DO NOT INSERT FOREIGN OBJECTS BETWEEN ROTATING FAN BLADES.

# SPECIFICATIONS

| Fan Size   | Speed  | Volts | Amps | Watts | RPM    | CFM     | CFM/W  | N.W.       | G.W.       | C.F.  |
|------------|--------|-------|------|-------|--------|---------|--------|------------|------------|-------|
| <b>52"</b> | High   | 120   | 0.57 | 57.20 | 152.00 | 3536.00 | 61.82  | 5.7<br>kgs | 6.7<br>kgs | 1.30' |
|            | Medium | 120   | 0.31 | 23.10 | 91.20  | 2121.60 | 91.84  |            |            |       |
|            | Low    | 120   | 0.19 | 8.41  | 54.00  | 1172.29 | 139.39 |            |            |       |

These are approximate measurements. They do not include data for any lamps or fixtures attached to the ceiling fan.

# KICHLER®

**KICHLER® LIGHTING**

**7711 EAST PLEASANT VALLEY ROAD P.O. BOX 318010**

**CLEVELAND, OHIO 44131-8010**

**CUSTOMER SERVICE 866.558.5706**

**8:30 AM TO 5:00 PM EST, MONDAY - FRIDAY**

# KICHLER®

## VENTILADOR DE 52" BASICS PRO LEGACY

Las imágenes del producto pueden variar levemente respecto del producto real.



MANUAL DE INSTRUCCIONES





# ÍNDICE

|   |   |  |    |
|---|---|--|----|
| NORMAS DE SEGURIDAD.....                  | 4 | INSTALACIÓN DE LA CAJA DEL MOTOR .....       | 10 |
| HERRAMIENTAS Y MATERIALES NECESARIOS..... | 5 | COLOCACIÓN DE LAS ASPAS DEL VENTILADOR.....  | 11 |
| CONTENIDO DE LA CAJA .....                | 5 | INSTALACIÓN DE LA CAJA DE INTERRUPTORES...11 |    |
| OPCIONES DE MONTAJE.....                  | 6 | INSTRUCCIONES DE USO.....                    | 12 |
| INSTALACIÓN DEL VENTILADOR.....           | 7 | RESOLUCIÓN DE PROBLEMAS .....                | 13 |
| CONEXIONES ELÉCTRICAS.....                | 8 | ESPECIFICACIONES.....                        | 14 |
| INSTALACIÓN DEL SOPORTE DE SEGURIDAD..... | 9 |  |    |

# NORMAS DE SEGURIDAD

1. Para reducir el riesgo de sufrir una descarga eléctrica, asegúrese de deshabilitar el circuito o cortar la electricidad de la caja de fusibles antes de comenzar.
2. Todos los cableados deben cumplir con el Código Nacional de Electricidad (NEC) y con los códigos de electricidad locales. Las instalaciones eléctricas deben ser realizadas por electricistas calificados con licencia.
3. **ADVERTENCIA:** Para reducir el riesgo de sufrir lesiones, use solamente los dos tornillos de acero (y arandelas de seguridad) incluidos con la caja tomacorriente para montar al tomacorriente. La mayoría de los tomacorrientes que se utilizan para colocar artefactos de iluminación no son aptos para montar ventiladores y deben ser reemplazados. Ante cualquier duda consulte a un electricista calificado.

## ADVERTENCIA

PARA REDUCIR EL RIESGO DE INCENDIO, DESCARGA ELÉCTRICA O LESIONES, MONTAR EL VENTILADOR EN UN TOMACORRIENTE CERTIFICADO "PARA SOPORTE DE VENTILADORES"

4. La estructura del tomacorriente y el soporte deben estar montados de manera segura y ser capaces de soportar un mínimo de 50 libras de manera confiable. Use solo tomacorrientes certificados CUL "PARA SOPORTE DE VENTILADORES".
5. El ventilador debe montarse a una distancia mínima de 7 pies entre la cola de las aspas y el piso.
6. No accione el comando para revertir el sentido de las aspas mientras el ventilador está en movimiento. El ventilador debe estar apagado y las aspas quietas antes de revertir la dirección de las aspas.
7. Evite colocar objetos en el camino de las aspas.

8. Para evitar lesiones o daños al ventilador u otros objetos, sea cuidadoso al trabajar cerca del ventilador o limpiarlo.
9. No usar agua o detergentes para limpiar el ventilador o las aspas. Usar un paño seco o levemente húmedo para limpiarlo.
10. Después de realizar las conexiones eléctricas, los conductores empalmados deben girarse hacia arriba y empujarse con cuidado hasta introducirse en la caja de distribución eléctrica. Los cables deben estar bien espaciados con el cable de tierra y el cable blanco (común) a un lado y con el cable negro (de carga) al otro lado de la caja de distribución eléctrica.
11. Los diagramas eléctricos son solo para referencia. Los kits de luz que no vengan incluidos con el ventilador deben estar certificados como aptos para usarse con el modelo de ventilador que usted está instalando. Los interruptores deben ser de Uso General. Lea las instrucciones incluidas con el kit de luces e interruptores para su correcto ensamblaje.

## ADVERTENCIA

PARA REDUCIR EL RIESGO DE LESIONES, NO DOBLAR LOS SOPORTES DE LAS ASPAS (PESTAÑAS) DURANTE EL ENSAMBLAJE O DESPUÉS DE LA INSTALACIÓN. NO COLOCAR OBJETOS EN EL CAMINO DE LAS ASPAS.

# HERRAMIENTAS REQUERIDAS

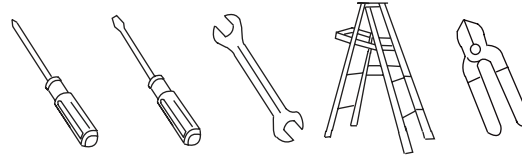
Destornillador Philips

Destornillador plano

Llave de 11 mm

Escalera

Cortacables



# CONTENIDO DE LA CAJA

Abra la caja y verifique su contenido. Debe tener los siguientes ítems:

A. Aspas del ventilador (5)

B. Placa de montaje para  
cielorraso

C. Caja del motor

D. Ensamblaje del motor y del  
soporte colgante

E. Caja de interruptores

F. Juego de 5 soportes para  
aspas y tornillos de montaje  
preinstalados

G. Contenido de la bolsa de piezas

1) Piezas metálicas del cable de seguridad:  
tirafondo (1), arendala plana (1)

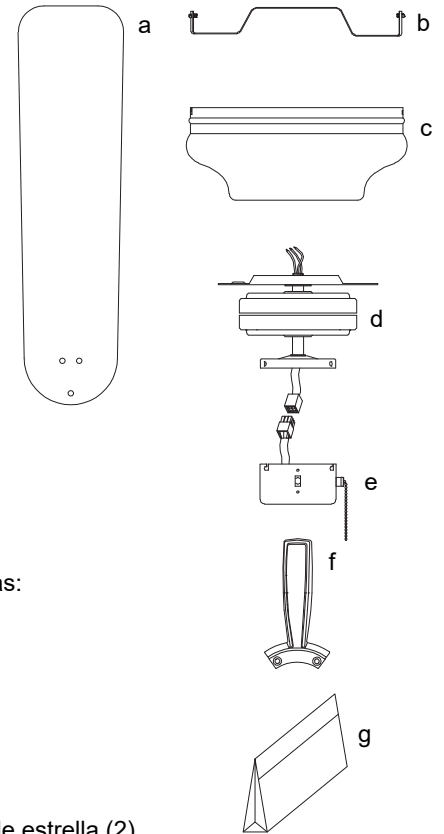
2) Piezas metálicas para acoplamiento de las aspas:  
tornillos (17), arandelas (17)

3) Cadena de tracción y colgante (1)

4) Kit balanceador

5) Fijación del soporte del aspa:  
tornillos (2)

6) Piezas metálicas de montaje:  
tirafondos (2), arandelas planas (2), arandelas de estrella (2),  
tuercas para cable (3), tornillos (2)



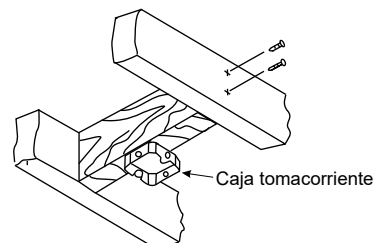
## OPCIONES DE MONTAJE

Si no tiene una caja para montaje certificada por UL (cUL para Canadá) ya instalada, entonces lea las siguientes instrucciones. Desconectar la electricidad sacando los fusibles o bajando las llaves de circuitos.

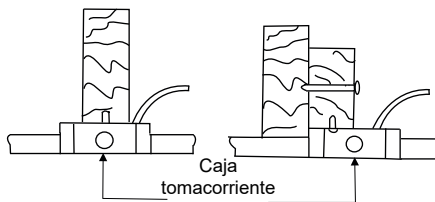
Asegure la caja tomacorriente directamente sobre la estructura del edificio. Use tornillos y materiales adecuados. La caja tomacorriente y su soporte deben poder soportar el peso del ventilador en movimiento (por lo menos 50 libras). No use cajas tomacorriente de plástico.

Las **figuras 1 and 2** son diferentes ejemplos de cómo montar la caja tomacorriente.

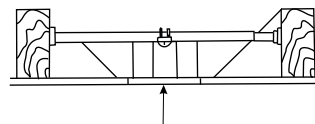
**NOTA:** Según la ubicación escogida para la instalación, quizás deba comprar e instalar un “colgante para viga” para colocar la caja tomacorriente. Asegúrese de que el colgante para viga que compre esté diseñado para usarse con ventiladores de techo. (Fig. 3)



**Fig. 1**



**Fig. 2**



**Fig. 3**

# INSTALACIÓN DEL VENTILADOR

**RECUERDE** desconectar el suministro de energía eléctrica. Para instalar su ventilador de techo de manera adecuada, siga los pasos detallados a continuación.

**Paso 1.** Fije la placa de montaje del cielorraso a la caja de distribución eléctrica utilizando los tornillos y arandelas que se incluyen con la caja de distribución (**Fig. 4**).

**Paso 2.** Levante con cuidado el ensamblaje del motor/placa colgante del ventilador hasta la placa de montaje e inserte el ensamblaje en un extremo de la misma. Ver la **Fig. 5**.

**Paso 3.** Después de colgar el motor en la placa de montaje del cielorraso, asegure el motor al montaje del cielorraso usando los tornillos y las arandelas. Ver la **Fig. 6**.

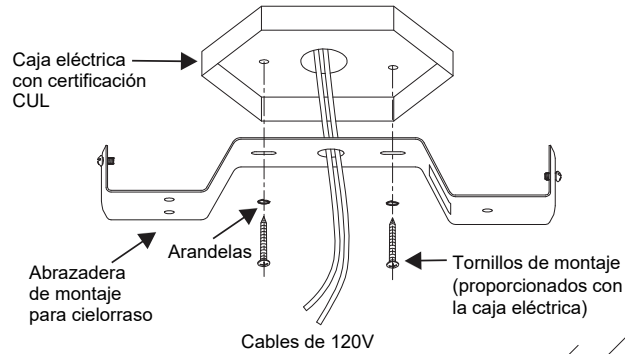


Fig. 4

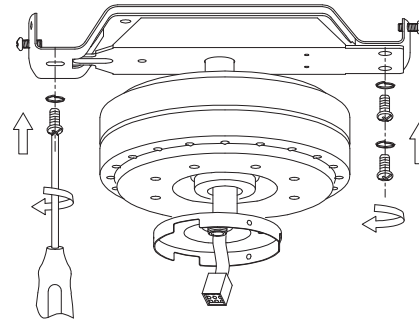


Fig. 6

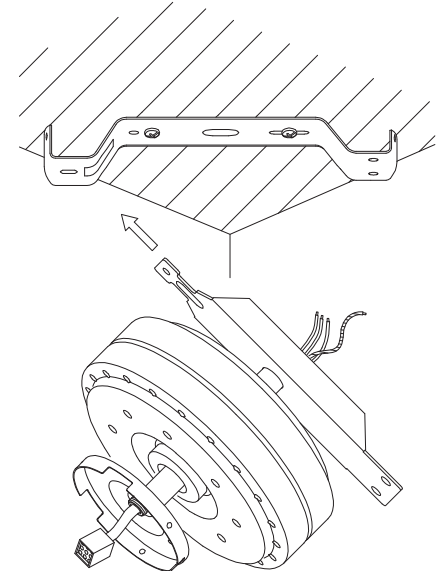


Fig. 5

# CONEXIONES ELÉCTRICAS

**ADVERTENCIA:** Para evitar posibles descargas eléctricas, asegúrese de haber desconectado el suministro de energía eléctrica desde el panel de circuito principal.

Siga los pasos a continuación para conectar el ventilador al cableado de su hogar. Utilice las tuercas para cable proporcionadas con el ventilador. Asegure los conectores con cinta aislante. Asegúrese de que no haya conexiones o terminaciones de cables sueltas.

**Paso 1.** Conecte el cable de alimentación del ventilador (negro+azul) al cable negro de alimentación de la casa como se muestra en la **Figura 7**.

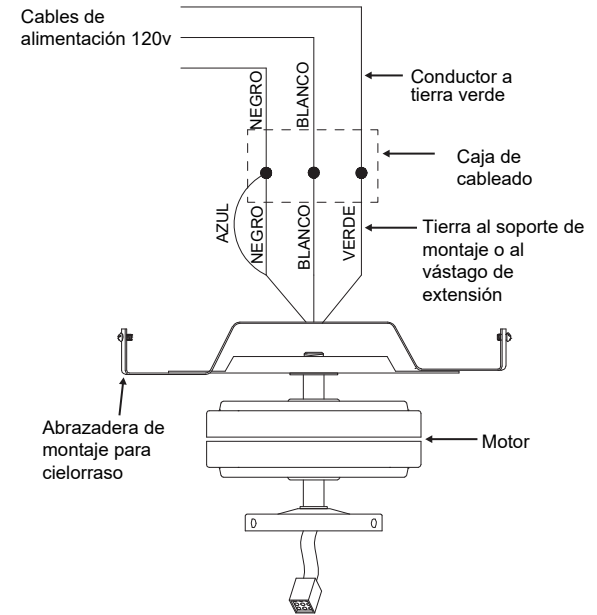
**Paso 2.** Conecte el cable negativo (blanco) del ventilador al cable negativo de la instalación eléctrica de su casa (blanco).

**Paso 3.** Conecte el cable a tierra del ventilador (verde) al cable a tierra de su casa.

**Paso 4.** Una vez conectados los cables, sepárelos de manera que los cables verde y blanco estén de un lado de la caja tomacorriente y los cables negro del otro.

**Paso 5.** Enrosque las tuercas de conexión y empuje el cableado dentro de la caja tomacorriente.

**ADVERTENCIA:** PARA REDUCIR EL RIESGO DE LESIONES PERSONALES Y ASEGURAR EL FUNCIONAMIENTO CORRECTO DE SU VENTILADOR DE TECHO, NUNCA FIJE LOS ENSAMBLAJES DE LAS ASPAS HASTA QUE EL VENTILADOR HAYA SIDO MONTADO EN EL TECHO. NO DOBLE LOS BRAZOS DE LAS ASPAS MIENTRAS INSTALA, BALANCEA O LIMPIA EL VENTILADOR. NO INTRODUZCA OBJETOS EXTRAÑOS ENTRE LAS ASPAS DE LOS VENTILADORES MIENTRAS ESTÉN GIRANDO.



**Fig. 7**

# INSTALACIÓN DEL SOPORTE DE SEGURIDAD

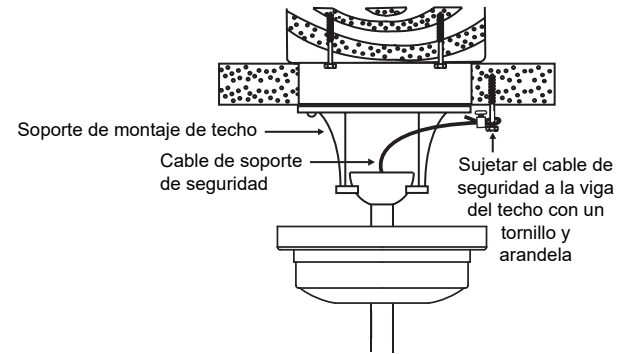
## (Requisito sólo para instalación en Canadá)

Se incluye un cable de soporte de seguridad para evitar la caída del ventilador de techo. Por favor instale de la siguiente manera:

**Paso 1.** Coloque el tornillo para madera y las arandelas en la viga del techo junto con el soporte de montaje, pero no lo ajuste. (**Fig. 8**)

**Paso 2.** Ajuste el largo del cable de seguridad para alcanzar el tornillo y las arandelas tirando el excedente de cable a través de la abrazadera hasta que el largo sea el correcto, pase la punta del cable de nuevo por la abrazadera, formando un nudo al final del cable. Ajuste la abrazadera firmemente. Luego, pase el nudo al final del cable de seguridad sobre el tornillo para madera y debajo de la arandela. Ajuste el tornillo para madera firmemente.

**NOTA:** A pesar de que el cable de soporte de seguridad es de uso obligatorio solo en Canadá, siempre es buena idea incluirlo en cualquier instalación.



**Fig. 8**

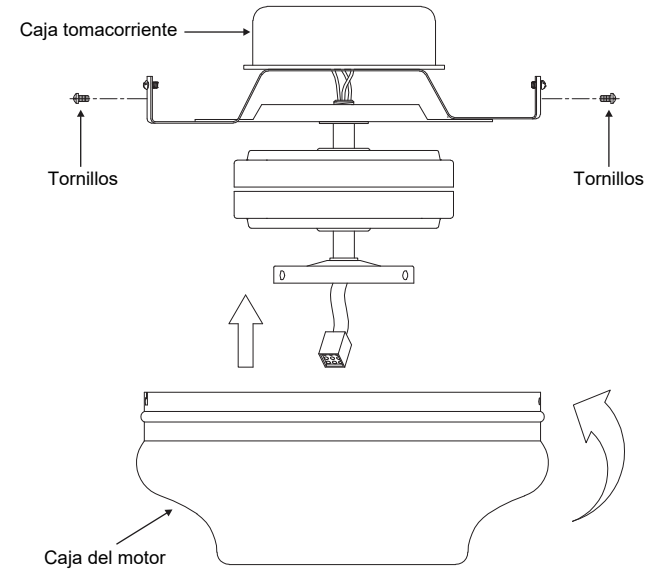


## INSTALACIÓN DE LA CAJA DEL MOTOR

Retire los cuatro tornillos situados en el borde exterior de la placa de montaje del cielorraso.

Levante la caja del motor y alinee los orificios de montaje de la caja con los orificios de montaje de la placa de montaje del cielorraso.

Inserte cada tornillo de montaje girando primero de un lado al otro y luego ajuste cada tornillo después de que los cuatro se hayan colocado en su lugar (**Fig. 9**).



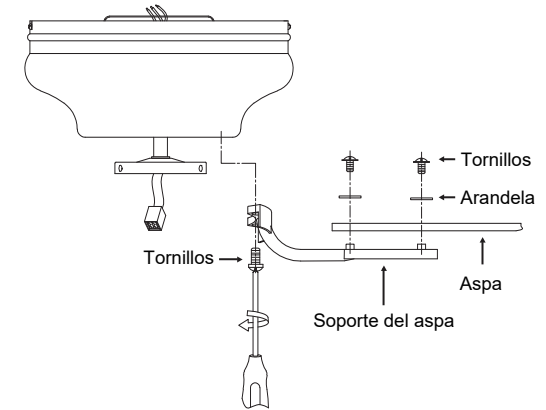
**Fig. 9**

## COLOCACIÓN DE LAS ASPAS

**Paso 1.** Acople el aspa al soporte para aspa utilizando los tornillos y arandelas tal como se muestra en la **Figura 10**. Inserte el tornillo en el soporte. Repita con los dos tornillos restantes.

**Paso 2.** Asegúrese de que el aspa esté derecha y ajuste cada tornillo.

**Paso 3.** Ajuste el montaje de las aspas al motor utilizando tornillos de montaje "preinstalados" en el soporte del aspa.



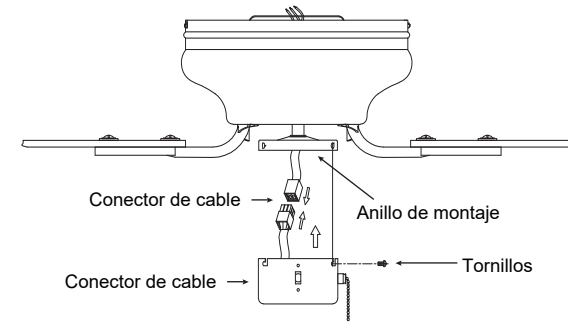
**Fig. 10**

**NOTA:** Antes de continuar con la instalación, verifique que el suministro de energía eléctrica continúe desconectado en el interruptor principal o retire el fusible correcto. Apagar la energía eléctrica desde el interruptor de pared no es suficiente para prevenir descargas eléctricas.

**Paso 1.** Mientras sostiene la caja de interruptores por debajo del ventilador de techo, acople los conectores cuadrados entre sí. Uno del ventilador y otro de la caja de interruptores (**Fig. 11**).

**NOTA:** Estos conectores están codificados por color y ÚNICAMENTE podrán conectarse cuando haya una correspondencia con las bandas de color (alineadas).

**Paso 2.** Empuje con cuidado todos los cables al interior de la caja de interruptores. Acople la caja de interruptores al anillo de montaje con los tornillos proporcionados. Asegúrese de ajustar bien cada tornillo (**Fig. 11**).



**Fig. 11**

# INSTRUCCIONES DE FUNCIONAMIENTO

Conecte la electricidad y verifique el funcionamiento de su ventilador de techo. La cadena de control controla la velocidad del ventilador de la siguiente manera:

**Paso 1.** Cadenilla de control de 3 velocidades: controla la velocidad del ventilador de la siguiente manera: Jalar 1 vez = Máximo, jalar 2 veces = Medio, jalar 3 veces = Bajo y jalar cuatro veces apaga el motor.

**NOTA:** Para poner las aspas de los ventiladores en reversa, el interruptor corredizo de reversa se encuentra en el lado de la cubierta del interruptor.

No accione el comando para revertir el sentido de las aspas mientras el ventilador está en movimiento. El ventilador debe estar apagado y las aspas quietas antes de revertir la dirección de las aspas.

Clima cálido - Avance (sentido anti horario) Un flujo de aire descendente crea un efecto de enfriamiento tal como se muestra en la **Fig. 12**. Esto permite configurar su acondicionador de aire en casos de clima más cálido sin afectar su comodidad.

Clima frío - Sentido inverso (sentido horario) Un flujo de aire ascendente desplaza el aire caliente del área del cielorraso tal como se muestra en la **Fig. 13**. Esto permite configurar la calefacción en casos de clima más fresco sin afectar su comodidad.

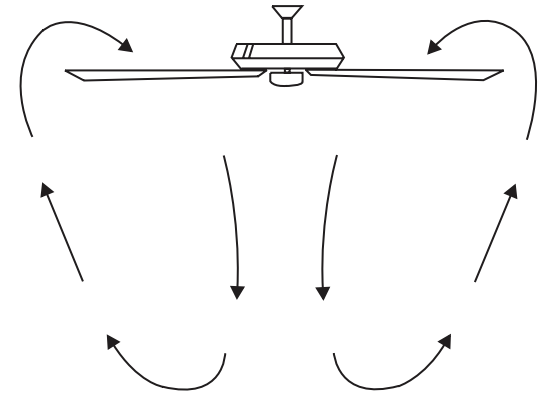


Fig. 12

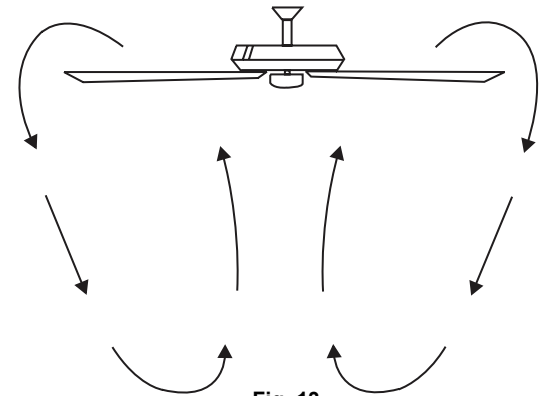


Fig. 13

# RESOLUCIÓN DE PROBLEMAS

| Problema                          | Solución  |
|-----------------------------------|---|
| <b>El ventilador no enciende.</b> | <ol style="list-style-type: none"><li>1. Verifique la caja de fusibles e interruptores.</li><li>2. Verifique todas las conexiones eléctricas para asegurarse de que estén haciendo contacto correctamente.<br/><b>PRECAUCIÓN:</b> Asegúrese de que la electricidad esté CORTADA antes de revisar cualquier conexión eléctrica.</li></ol>  |
| <b>El ventilador es ruidoso.</b>  | <p>FÈ Asegúrese de que todos los tornillos del armazón del motor estén bien ajustados.</p> <p>GÈ Asegúrese de que todos los tornillos que sujetan los soportes de las aspas al motor estén bien ajustados.</p> <p>HÈ Asegúrese de que las conexiones de las tuercas para cables no estén rozando las unas con las otras o con la pared interna de la toma de interruptores. <b>PRECAUCIÓN:</b> Asegúrese de que la electricidad esté cortada.</p> <p>IÈ Espere 24 horas hasta que las partes “se acomoden”. La mayoría de los ruidos de un ventilador nuevo desaparecen después de este periodo</p> <p>ÍÈ Si está usando un kit de iluminación alternativo, asegúrese de que los tornillos que sujetan el vidrio estén bien ajustados. Asegúrese de que las lámparas no estén rozando con otras partes.</p> <p>ÎÈ Algunos motores de ventiladores pueden ser sensibles a las señales de los controles de velocidad variable de estado sólido. Si usted instaló este tipo de control, intente instalar otro tipo diferente.</p> <p>ÏÈ Asegúrese de que el cobertor superior esté apenas distanciado del techo. No debe tocar el techo.</p> |
| <b>El ventilador se balancea.</b> | <ol style="list-style-type: none"><li>1. Verifique que todos los tornillos de las aspas y del soporte estén ajustados.</li><li>2. La mayoría de los problemas de balanceo de los ventiladores se deben a que las aspas no están bien niveladas. Verifique este nivel seleccionando un punto en el techo arriba de la punta de una de las aspas. Mida esa distancia. Gire el ventilador hasta que la siguiente aspa esté posicionada para medir la distancia. Repetir con cada aspa. La desviación de la distancia no debe ser mayor a 1/8”.</li><li>3. Use el Kit Balanceador de Aspas incluido si continúa notando balanceo de las aspas.</li><li>4. Si continúa notando balanceo de las aspas, puede intercambiar dos aspas adyacentes (una al lado de la otra) para redistribuir el peso y así lograr un funcionamiento más regular.</li></ol>   |

**ADVERTENCIA:** PARA REDUCIR EL RIESGO DE LESIONES Y PARA ASEGURAR EL FUNCIONAMIENTO CORRECTO DE SU VENTILADOR DE TECHO, NUNCA COLOQUE LAS ASPAS DEL VENTILADOR HASTA QUE EL VENTILADOR HAYA SIDO MONTADO EN EL TECHO. NO DOBLE LAS ASPAS AL INSTALARLAS, BALANCEARLAS O LIMPIAR EL VENTILADOR. NO INSERTE OBJETOS EXTRAÑOS ENTRE LAS ASPAS DEL VENTILADOR MIENTRAS ESTÉN GIRANDO.

## ESPECIFICACIONES

| Tamaño     | Velocidad | Voltios | Amperes | Vatios | RPM    | FCM     | FCM/P  | P.N.       | P.T.       | V.T.  |
|------------|-----------|---------|---------|--------|--------|---------|--------|------------|------------|-------|
| <b>52"</b> | Alto      | 120     | 0.57    | 57.20  | 152.00 | 3536.00 | 61.82  | 5.7<br>kgs | 6.7<br>kgs | 1.30' |
|            | Medio     | 120     | 0.31    | 23.10  | 91.20  | 2121.60 | 91.84  |            |            |       |
|            | Bajo      | 120     | 0.19    | 8.41   | 54.00  | 1172.29 | 139.39 |            |            |       |

Estas son medidas aproximadas. No incluyen datos de lámparas o artefactos adjuntados al ventilador de techo.

# KICHLER®

**KICHLER® LIGHTING**

**7711 EAST PLEASANT VALLEY ROAD P.O. BOX 318010**

**CLEVELAND, OHIO 44131-8010**

**ATENCIÓN AL CLIENTE 866.558.5706**

**8:30 AM A 5:00 PM EST, LUNES A VIERNES**

# KICHLER®

## VENTILATEUR BASICS PRO LEGACY 52 po

Le produit peut différer légèrement des illustrations.



## MANUEL D'INSTRUCTIONS





# TABLE DES MATIÈRES

|  |   |   |    |
|--|---|---|----|
| CONSIGNES DE SÉCURITÉ .....              | 4 | INSTALLATION DU BOÎTIER DU MOTEUR .....       | 10 |
| OUTILLAGE ET MATERIAUX REQUIS .....      | 5 | FIXER LES PALES DU VENTILATEUR .....          | 11 |
| CONTENU DE L'EMBALLAGE .....             | 5 | INSTALLATION DE LE BOÎTIER DE COMMUTATEUR ... | 11 |
| OPTIONS DE MONTAGE .....                 | 6 | INSTRUCTIONS D'UTILISATION .....              | 12 |
| SUSPENDRE LE VENTILATEUR.....            | 7 | DÉPANNAGE .....                               | 13 |
| CONNEXIONS ÉLECTRIQUES .....             | 8 | SPÉCIFICATIONS .....                          | 14 |
| INSTALLATION DU SUPPORT DE SÉCURITÉ..... | 9 |   |    |

# CONSIGNES DE SÉCURITÉ

1. Pour réduire le risque d'électrocution, assurez-vous que l'électricité a été coupée au niveau du disjoncteur ou de la boîte à fusibles avant de commencer.
2. Le câblage doit être installé conformément au code national d'électricité américain (NEC) et aux codes locaux. Les travaux d'électricité doivent être exécutés par un électricien agréé qualifié.
3. **AVERTISSEMENT:** Pour réduire le risque de blessures, utiliser uniquement les deux vis en acier et rondelles de blocage fournies avec la boîte à prises. pour le montage sur la boîte à prises. La plupart des boîtes à prises utilisés actuellement pour supporter les luminaires ne sont pas capable de supporter un ventilateur et leur remplacement peut s'avérer nécessaire; consulter un électricien qualifié en cas de doute.
4. La boîte à prises et la structure de support doivent être solidement fixées et capables de supporter de manière fiable un minimum de 23 kg. Utiliser uniquement des boîtes à prises homologuées ETL et marquées « POUR SUPPORT DE VENTILATEUR ».
5. Le ventilateur doit être installé à une distance de 2,15 m minimum du bord de fuite des pales par rapport au sol.
6. Ne pas actionner l'inverseur lorsque les pales du ventilateur sont en mouvement. Le ventilateur doit être éteint et les pales arrêtées avant d'inverser le sens de rotation des pales.
7. Éviter de placer des objets dans la trajectoire des pales.
8. Pour éviter des blessures ou des dommages au ventilateur et autres objets, prendre toutes les précautions nécessaires lors de travaux effectués près du ventilateur ou lors du nettoyage du ventilateur.
9. Ne pas utiliser d'eau ni de détergents pour nettoyer le ventilateur ou les pales du ventilateur. Utiliser un chiffon à poussière sec ou légèrement imbibé pour effectuer la majeure partie du nettoyage.
10. Après avoir effectué les connexions électriques, les conducteurs épissés doivent être tournés vers le haut et soigneusement rentrés dans la boîte à prises. Les fils doivent être séparés du fil de terre et du fil blanc (commun) d'un côté avec le fil noir (charge) de l'autre côté de la boîte à prises.
11. Les schémas électriques sont indiqués à titre de référence uniquement. Les kits d'éclairage qui ne sont pas emballés avec le ventilateur doivent être homologués et marqués compatible pour une utilisation avec le modèle de ventilateur à installer. Les commutateurs doivent être pour une utilisation d'ordre général. Reportez-vous aux instructions fournies avec les kits d'éclairage et les interrupteurs pour garantir un assemblage correct.

## AVERTISSEMENT

POUR RÉDUIRE LE RISQUE DE BLESSURES, NE PAS PLIER LES SUPPORTS DE PALES (APPELÉS ÉGALEMENT BRIDES) LORS DU MONTAGE OU APRÈS L'INSTALLATION NE PAS PLACER D'OBJETS DANS LA TRAJECTOIRE DES PALES.

## AVERTISSEMENT

POUR RÉDUIRE LES RISQUES D'INCENDIE, CHOCS ÉLECTRIQUES OU BLESSURES, INSTALLER LE VENTILATEUR SUR LA BOÎTE À PRISES MARQUÉE « CAPABLE DE SUPPORTER UN VENTILATEUR »

## OUTILLAGE ET MATERIAUX REQUIS

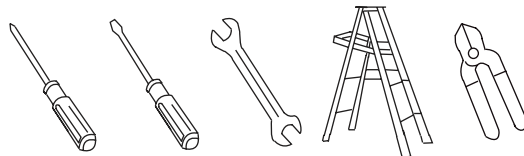
Tournevis Philips

Tournevis standard

Clé de 11 mm

Marche-pieds

Pincès coupantes



## CONTENU DE L'EMBALLAGE

Déballer votre ventilateur et vérifiez le contenu. Vous devriez disposer des éléments suivants :

A. Pales de ventilateur (5)

B. Plaque de montage au plafond

C. Boîtier du moteur

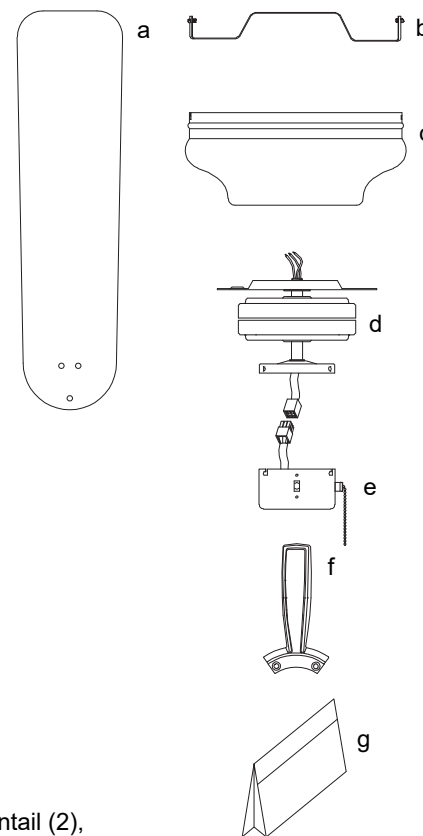
D. Moteur et support de suspension

E. Boîtier de commutateur

F. Ensemble de 5 supports de pale et vis de montage pré-installées

G. Contenu du sac de pièces

- 1) Matériel pour câble de sécurité : vis à bois (1), rondelle plate (1)
- 2) Matériel de montage des pales : vis (17), rondelles (17)
- 3) Chaîne de tirage et breloque (1)
- 4) Kit d'équilibrage
- 5) Matériel de montage pour support des pales : vis (2)
- 6) Matériel de montage : vis à bois (2), rondelles plates (2), rondelles éventail (2), serre-fils (3), vis (2)



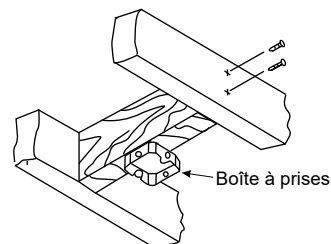
## OPTIONS DE MONTAGE

En l'absence d'une boîte de montage homologuée cUL (UL pour les États-Unis), prendre connaissance des instructions suivantes. Couper le courant en retirant les fusibles ou en déclenchant le disjoncteur.

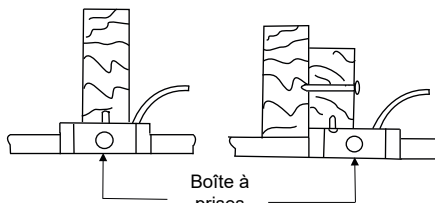
Fixer la boîte à prises directement sur la structure du bâtiment. Utiliser des attaches et des matériaux de construction appropriés. La boîte à prises et son support doivent être en mesure de soutenir le poids du ventilateur en mouvement (au moins 22 kg). Ne pas utiliser de boîtes à prises en plastique.

Les figures **1** and **2** sont des exemples de différents façons de monter boîte à prises.

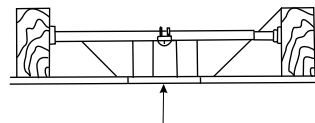
**REMARQUE :** Selon l'emplacement sélectionné pour l'installation, il peut s'avérer nécessaire d'acheter et d'installer un étrier à solive pour soutenir la boîte à prises. S'assurer que l'étrier à solive a été conçu pour une utilisation avec des ventilateurs de plafond. (**Fig. 3**)



**Fig. 1**



**Fig. 2**



**Boîte à prises**

**Fig. 3**

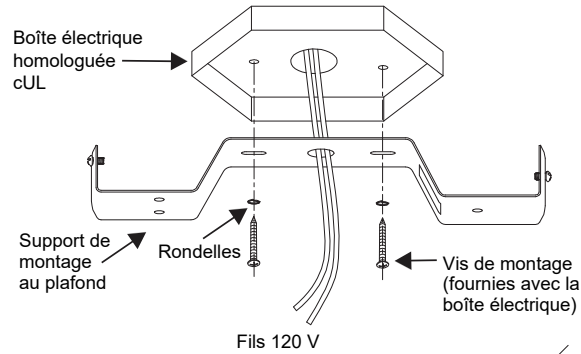
# SUSPENDRE LE VENTILATEUR

**TOUJOURS** couper le courant. Suivez les étapes ci-dessous pour suspendre votre ventilateur correctement.

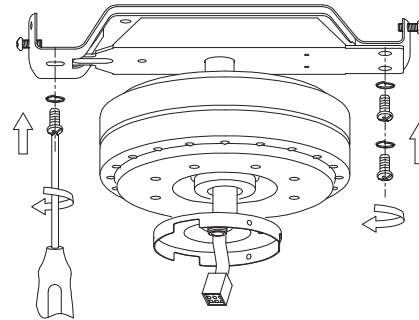
**Étape 1.** Fixez la plaque de montage au plafond sur la boîte de sortie au plafond à l'aide des vis et des rondelles fournies avec la boîte de sortie (**Fig. 4**).

**Étape 2.** Soulevez avec précaution l'ensemble plaque de suspension/moteur du ventilateur jusqu'à la plaque de montage au plafond et insérez l'ensemble dans l'une des extrémités de la plaque de montage au plafond. Voir la **Fig. 5**.

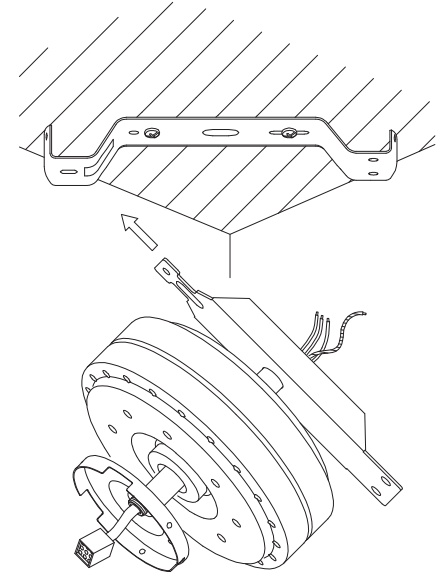
**Étape 3.** Après avoir accroché le moteur à la plaque de montage au plafond, fixez le moteur à la plaque de montage au plafond à l'aide des vis et des rondelles. Voir la **Fig. 6**.



**Fig. 4**



**Fig. 6**



**Fig. 5**

# CONNEXIONS ÉLECTRIQUES

**AVERTISSEMENT :** Pour éviter tout risque d'électrocution, s'assurer que l'alimentation est coupée au niveau du panneau de circuit principal.

Procédez comme suit pour raccorder le ventilateur au câblage du domicile. Utilisez les raccords de connexion des fils fournis avec le ventilateur. Fixez les connecteurs avec du ruban électrique. Assurez-vous qu'il n'y a pas de brins de fil ni de connexions desserrés.

**Étape 1.** Connectez le fil alimentation du ventilateur (noir+bleu) au fil d'alimentation noir du domicile (voir la Fig. 7).

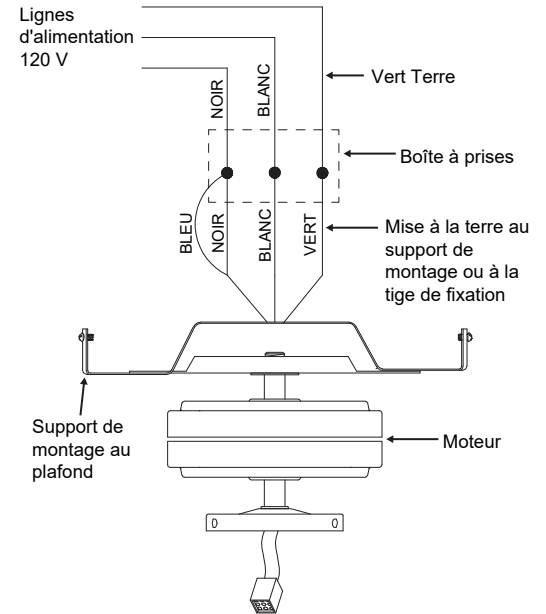
**Étape 2.** Connecter le fil neutre ventilateur (blanc) au fil neutre (blanc) du domicile.

**Étape 3.** Connecter le fil de terre du ventilateur (vert) au fil de terre du domicile.

**Étape 4.** Après avoir connecté les fils, les séparer de sorte que les fils verts et blancs se trouvent sur un côté de la boîte à prises et les fils noirs de l'autre côté.

**Étape 5.** Tourner les écrous de raccordement vers le haut et mettez le câblage dans la boîte à prises.

**AVERTISSEMENT :** POUR RÉDUIRE LES RISQUES DE BLESSURES CORPORELLES ET ASSURER LE FONCTIONNEMENT APPROPRIÉ DE VOTRE VENTILATEUR DE PLAFOND, NE JAMAIS FIXER LES PALES AVANT D'AVOIR EFFECTUÉ L'INSTALLATION DU VENTILATEUR DE PLAFOND SUR CE PLAFOND. NE PAS PLIER LES BRAS DES PALES PENDANT L'INSTALLATION, L'ÉQUILIBRAGE OU LE NETTOYAGE DU VENTILATEUR. NE PAS INSÉRER D'OBJETS ÉTRANGERS ENTRE LES PALES ROTATIVES DU VENTILATEUR.



**Fig. 7**

# INSTALLATION DU SUPPORT DE SÉCURITÉ

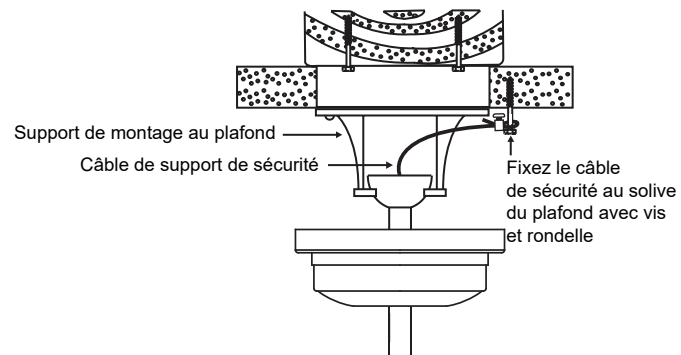
(Requis **UNIQUEMENT** dans le cas d'une installation canadienne)

Le câble de support de sécurité est fourni pour empêcher que le ventilateur de plafond ne tombe; pour ce faire, il doit être installé comme suit :

**Étape 1.** Fixez la vis à bois et les rondelles fournies à la solive du plafond à côté du support de montage sans serrer. (**Fig. 8**)

**Étape 2.** Ajustez la longueur du câble de sécurité pour atteindre la vis et les rondelles en tirant l'excès de câble à travers le serre-câble jusqu'à ce que la longueur totale soit correcte. Placez l'embout du câble à travers le serre-câble en formant une boucle à l'extrémité du câble. Bien serrer le serre-câble. Mettre maintenant la boucle à l'extrémité du câble de sécurité au-dessus de la vis à bois et sous la rondelle. Bien serrer la vis à bois.

**REMARQUE :** Bien que le câble de support de sécurité ne soit requis que pour les installations canadiennes, il est recommandé d'effectuer la fixation à toute installation.



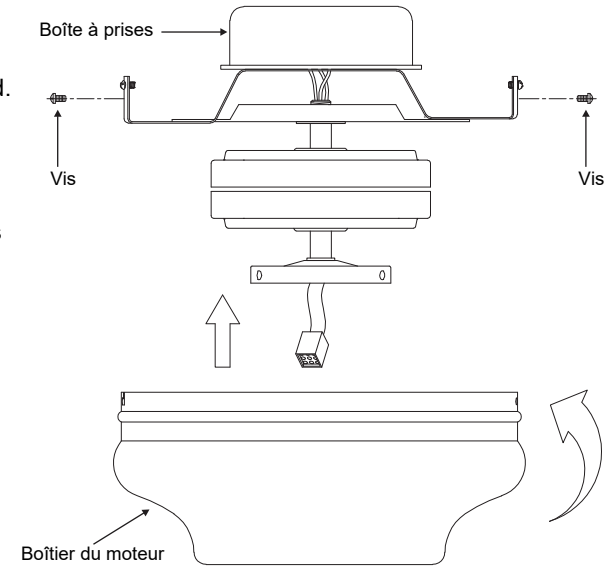
**Fig. 8**

## INSTALLATION DU BOÎTIER DU MOTEUR

Retirez les quatre vis situées sur le bord extérieur de la plaque de montage au plafond.

Soulevez le boîtier du moteur et alignez les trous de montage du carter sur les trous de la plaque de montage au plafond.

Insérez les vis de montage en les faisant pivoter d'un côté à l'autre et serrez-les après avoir remplacé les quatre vis (**Fig. 9**).



**Fig. 9**

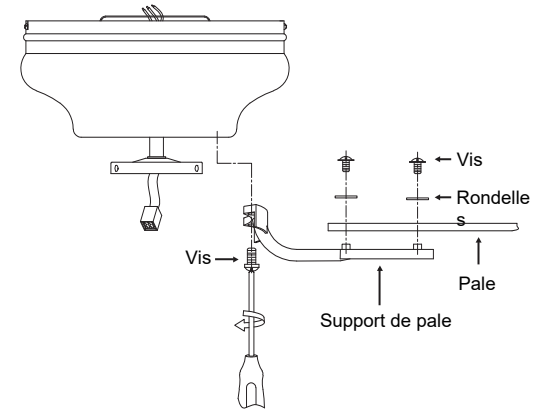


## FIXER LES PALES DU VENTILATEUR

**Étape 1.** Fixez une pale au support de pale avec les vis et les rondelles fournies (voir la **Fig. 10**). Commencez à serrer la vis dans le support. Répétez l'opération pour les deux vis restantes.

**Étape 2.** Assurez-vous que la pale est droite et serrez toutes les vis.

**Étape 3.** Fixez chaque ensemble de pale au moteur à l'aide des vis de montage « pré-installées » dans le support de pale.



**Fig. 10**

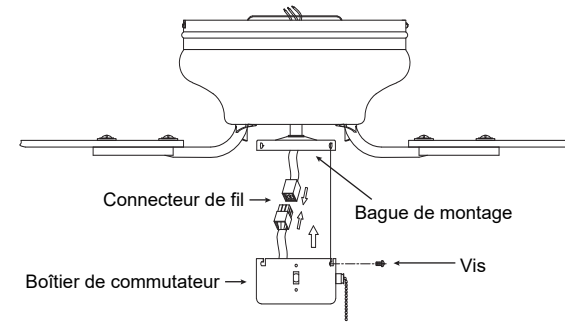
## INSTALLATION DU BOÎTIER DE COMMUTATEUR

**REMARQUE :** Avant de poursuivre l'installation, vérifiez que l'alimentation est coupée au disjoncteur principal ou que le fusible approprié a été retiré. La mise hors tension à l'aide d'un interrupteur mural n'est pas suffisante pour empêcher les chocs électriques.

**Étape 1.** Tout en maintenant le boîtier de commutateur sous votre ventilateur de plafond, rapprochez les connecteurs de fil carrés. Un du ventilateur et un du boîtier de commutateur (**Fig. 11**).

**REMARQUE :** Ces connecteurs sont codés par couleur et se verrouillent UNIQUEMENT lorsque les bandes colorées sont alignées.

**Étape 2.** Poussez soigneusement tous les fils dans le boîtier de commutateur. Fixez le boîtier de commutateur sur la bague de montage avec les vis (fournies). Assurez-vous que les vis sont serrées fermement (**Fig. 11**).



**Fig. 11**

# INSTRUCTIONS D'UTILISATION

Remettre sous tension et vérifier le fonctionnement du ventilateur de plafond. La chaîne de traction contrôle les trois (3) vitesses du ventilateur de plafond.

**Étape 1.** La chaîne de tirage pur 3 vitesses contrôle la vitesse du ventilateur comme suit : Tirer 1 fois = Vitesse élevée, Tirer 2 fois = Vitesse moyenne, Tirer 3 fois = Vitesse faible et Tirer 4 fois = Arrêt.

**REMARQUE :** Pour régler les pales du ventilateur en marche arrière, utilisez l'interrupteur d'inversion à glissière qui est situé sur le côté du boîtier de commutateur.

Pour régler les pales du ventilateur en marche arrière, utilisez l'interrupteur d'inversion à glissière qui est situé sur le côté du boîtier de commutateur.

Par temps chaud : Avant (sens antihoraire) Un flux d'air vers le bas crée un effet de refroidissement (voir la **figure 12**). Cela vous permet de régler votre climatiseur sur un réglage plus chaud sans affecter votre confort général.

Par temps froid : Arrière (sens horaire). Un flux d'air vers le haut déplace l'air chaud du plafond (voir la **figure 13**). Cela vous permet de régler votre unité de chauffage sur un réglage plus froid sans affecter votre confort général.

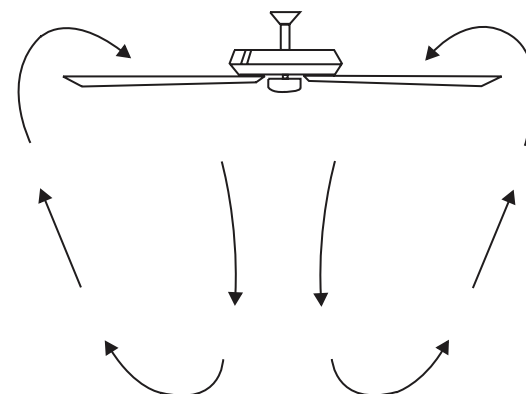


Fig. 12

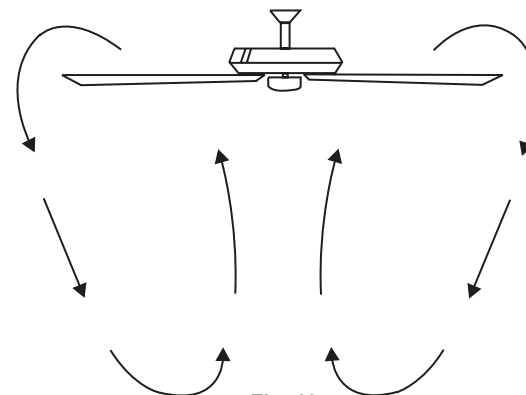


Fig. 13

# DÉPANNAGE

## Problème

## Solution

**Impossible de mettre le ventilateur en marche.**

1. Vérifiez les fusibles ou disjoncteurs de circuit.
2. Vérifiez tous les raccordements électriques pour garantir un bon contact. **MISES EN GARDE** : Assurez-vous que l'alimentation principale est COUPÉE lors de la vérification des raccordements électriques.

**Le ventilateur est bruyant.**

1. Assurez-vous que toutes les vis du boîtier du moteur sont bien ajustées.
2. Assurez-vous que les vis qui fixent les supports des pales du ventilateur au moteur sont bien serrées.
3. Assurez-vous que les connexions des raccords filaires ne frottent pas les uns contre les autres ou contre la paroi intérieure du boîtier du commutateur. **MISES EN GARDE** : Assurez-vous que l'alimentation est coupée.
4. Accordez une période de 24 heures pour le rodage. La majorité des bruits associés à un nouveau ventilateur disparaissent pendant la période de rodage.
5. Si vous utilisez un kit d'éclairage en option, assurez-vous que les vis de fixation de pièces en verre sont bien serrées. Assurez-vous que les ampoules ne touchent aucun autre élément.
6. Certains moteurs de ventilateurs sont sensibles aux signaux des commandes à vitesse variable à semi-conducteurs. Si vous avez installé ce type de contrôle, choisir et installer un autre type de contrôle.
7. Assurez-vous que la monture supérieure est à une courte distance du plafond. Il ne doit pas toucher le plafond.

**Le ventilateur vacille.**

1. Vérifiez que toutes les vis des pales et des bras de pales sont sécurisées.
2. La plupart des problèmes d'oscillation du ventilateur surviennent lorsque les niveaux des pales sont inégaux. Vérifiez ce niveau en sélectionnant un point sur le plafond au-dessus de l'extrémité de l'une des pales. Mesurez cette distance. Faites tourner le ventilateur jusqu'à ce que la prochaine pale soit positionnée pour la mesure. Répétez pour chaque pale. L'écart de distance doit se trouver dans les 1/8 po.
3. Utilisez le kit d'équilibrage des pales si le vacillement des pales est toujours perceptible.
4. Si le vacillement des pales est toujours perceptible, échangez deux pales adjacentes (côte à côte) pour redistribuer le poids et éventuellement permettre un fonctionnement plus équilibré.

**AVERTISSEMENT** : POUR RÉDUIRE LE RISQUE DE BLESSURE CORPORELLE ET GARANTIR LE BON FONCTIONNEMENT DU VENTILATEUR DE PLAFOND. NE JAMAIS FIXER LES PALES AVANT QUE LE VENTILATEUR DE PLAFOND N'AIT ÉTÉ FIXÉ AU PLAFOND. NE PAS PLIER LES BRAS DES PALES PENDANT L'INSTALLATION, L'ÉQUILIBRAGE OU LE NETTOYAGE DU VENTILATEUR. NE PAS INSÉRER D'OBJETS ÉTRANGERS ENTRE LES PLAES ROTATIVES DU VENTILATEUR.

## SPÉCIFICATIONS

| Taille     | Vitesse | Volt | Ampérage | Watt  | T/M    | PCM     | PCM/W  | Poids net  | Poids brut | Pied cubes |
|------------|---------|------|----------|-------|--------|---------|--------|------------|------------|------------|
| <b>52"</b> | Haute   | 120  | 0.57     | 57.20 | 152.00 | 3536.00 | 61.82  | 5.7<br>kgs | 6.7<br>kgs | 1.30'      |
|            | Moyenne | 120  | 0.31     | 23.10 | 91.20  | 2121.60 | 91.84  |            |            |            |
|            | Basse   | 120  | 0.19     | 8.41  | 54.00  | 1172.29 | 139.39 |            |            |            |

Ces mesures sont approximatives. Elles ne comprennent pas les données pour toutes les lampes ou les luminaires fixés au ventilateur de plafond.

# KICHLER®

**KICHLER® LIGHTING**

**7711 EAST PLEASANT VALLEY ROAD P.O. BOX 318010**

**CLEVELAND, OHIO 44131-8010**

**SERVICE À LA CLIENTÈLE 866.558.5706**

**De 08h30 à 17h (heure normale de l'Est), du lundi au vendredi**