

READ AND SAVE THESE INSTRUCTIONS
Universal CoolTouch™ Control System

337214



U.S. Patent Pending

ATTENTION: This control system was designed to operate and work with a wide range of Kichler® Ceiling Fans. It is also compatible with "most" ceiling fan brands on the market.

However, it is possible that some brands of ceiling fans will not be compatible with this control system. Please consult your Kichler® Dealer with any compatibility questions

GENERAL INFORMATION

The Universal CoolTouch™ Control System is designed for Indoor or Outdoor use. It will separately control your Ceiling Fan Speeds and the Light Fixture (if equipped). *This control system does NOT remotely control the forward/reverse function.*

Transmitter Control Buttons

- Speed Settings Low - Medium - High
- Motor Off
- Light Fixture, On/Off

1. INSTALLATION AND SET-UP:

The Universal CoolTouch™ Control System is a RF (Radio Frequency) remote control with adjustable frequencies.

The Frequency Selector is a "Dip Switch Block" inside the Battery compartment of the Transmitter (see figure A) and on the Receiver Unit (see figure B). You change frequencies by arranging the small switches numbered 1 through 4 in a up or down position.

1. SETTING THE OPERATIONAL FREQUENCY:

A. Setting the Transmitter Frequency:

- a. Remove the battery cover on the back of the transmitter by pressing on the cover lid at the point indicated in Figure A.
- b. Arrange the "Dip Switches" 1 through 4 in any order you wish (up or down)
- c. If your fan is equipped with a Light Fixture, the fifth switch, marked D and ON sets the system for operation with Incandescent or Fluorescent Lamps. It is essential to set this switch correctly or you could damage the lamps and/or fixture.
 - i. Incandescent Lamps = Set the switch to D
 - ii. Fluorescent Lamps = Set the switch to ON
- d. Use a small flat bladed screw driver to move the switches.

B. Setting the Receiver Frequency:

- a. The Frequency Selector on the Receiver is located under a rubber plug on top of the receiver and has only four switches (1 through 4).
- b. Remove the rubber plug and match the position of each switch on the Receiver to the same position on the Transmitter. This sets both the Receiver & Transmitter to the same frequency.
- c. Replace the rubber plug. This will keep water and moisture out of the receiver unit.

2. INSTALLING THE RECEIVER

WARNING: HIGH VOLTAGE ! Household electrical power can cause serious injury or death. Make sure the electrical power source is turned OFF at the main panel by removing the circuit fuse or switching the circuit breaker OFF.

A. Installing the receiver unit:

- a. Rotate the mounting screw cover on the canopy counter clockwise, loosen the two mounting screws, rotate the canopy counter clockwise and let them rest on top of the motor housing.
- b. Disconnect the existing electrical wiring between the ceiling fan and the household supply wires in the ceiling outlet box.
- c. Slide the receiver unit into the open space between the top of the mounting bracket and the mounting ball with the "flat" side of the receiver facing UP. (Fig. C or D)

The CoolTouch™ Receiver Unit is adaptable to the Kichler® Basic Mounting System (Fig. D) as well as the Kichler® Slope Adaptor Mounting System (Fig. C)

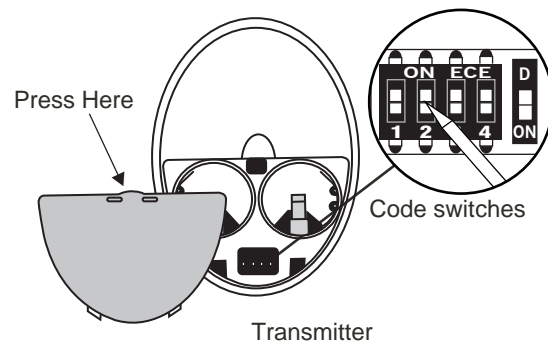


Fig. A

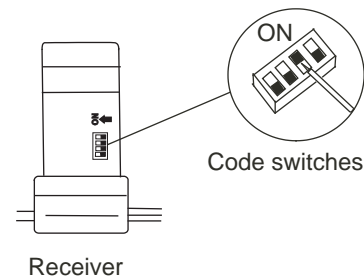


Fig. B

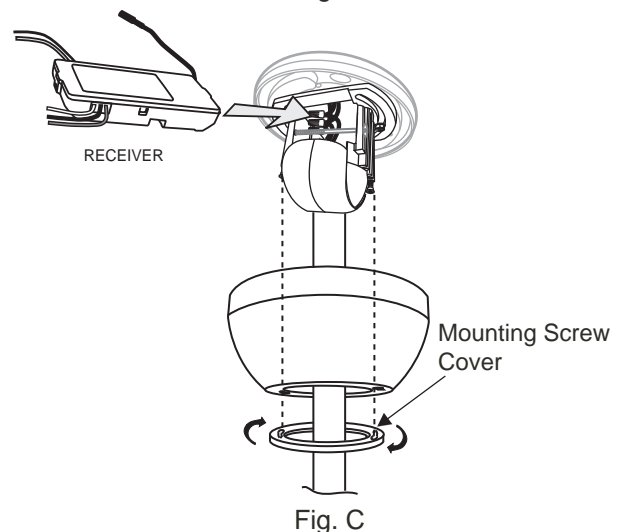


Fig. C

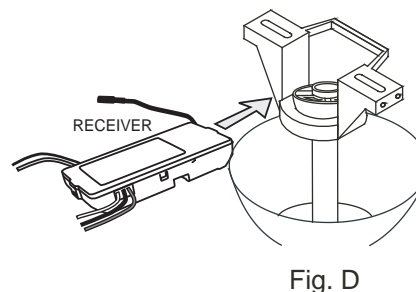


Fig. D

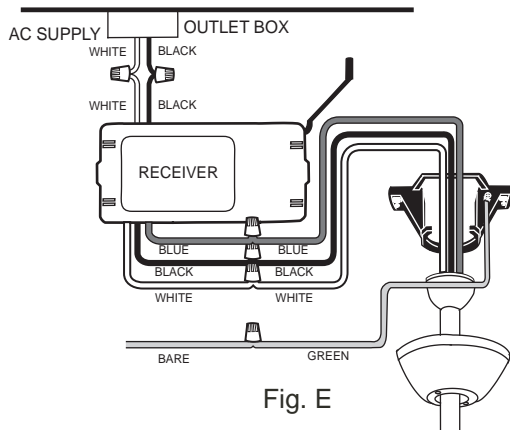


Fig. E

Receiver to Supply Wires: Figure E

Green fan wire to.....Green or copper Household supply wire
 Black receiver wire marked **AC In L** to..... Black Household supply wire
 White receiver wire marked **AC In N** to.....White Household supply wire

Receiver to Fan wires: Figure E

White receiver wire marked **TO MOTOR N** to.....White wire from the Fan
 Black receiver wire marked **TO MOTOR L** to.....Black wire from the Fan
 Blue receiver wire marked **FOR LIGHT** to.....Blue wire from the Fan

CAUTION: If the household supply wires are a different color than described here, it's recommended that you have a qualified electrician make these connections.

- d. Push all connected wires up into junction box.
- e. Reinstall the canopy on the mounting bracket. (Fig. C)

3. OPERATING INSTRUCTIONS

The Universal CoolTouch™ Transmitter can be used outdoors without any concern. However, it should be mounted indoors away from excess heat and not allowed to come into contact with water or excess humidity.

A. Remove the back cover on the transmitter and install both, 3 volt (#2032) batteries that were included with the remote control. Make sure the + sign is facing up and be careful NOT to move any of the small frequency dip switches. (Fig. F)

Replace the battery cover.

B: To prevent possible damage to the transmitter, remove these batteries if not used for long periods of time (months).

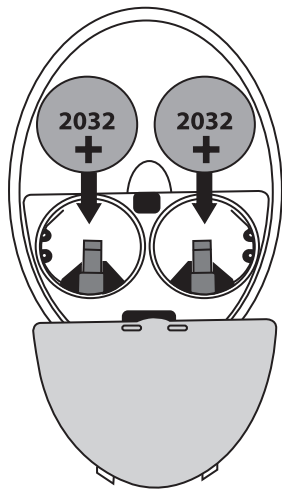


Fig. F

C. , , Buttons:

These Buttons are used to set the fan speed as follows:

- = Low Speed
- = Medium Speed
- = High Speed

B. "⏻" Button:

This button turns the fan motor off.

The "💡" Button:

Incandescent Lamps - Press and Release for On/Off - Press and HOLD for Full Range Dimming, release at the desired brightness level. You can turn the lamps On and Off at any level.

Fluorescent Lamps - Press and Release for On/Off. The Dimming function is disabled for fluorescent lamps.

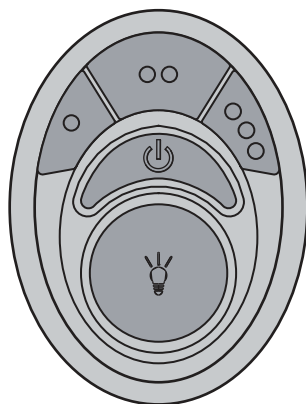


Fig. G

4. INSTALLING THE COOLTOUCH™ CONTROL SYSTEM WALL PLATE

Select a location to install the Universal CoolTouch™ Control System Transmitter and Wall Pocket.

RMEMEBER, you can safely use the transmitter outdoors but it should be mounted indoors away from excess heat and away from contact with water or humidity.

You can replace an existing wall switch or, install the transmitter wall pocket on ANY flat surface.

NOTE: The Wall Pocket should be installed with the "Release Button" on the TOP of the pocket.

Option 1: Install the wall pocket using an existing wall switch outlet box. Make sure the electrical power is **TURNT OFF** at the main panel before continuing.

Step 1. Remove the existing wall plate and the old switch from the wall outlet box. Wire nut the **BLACK** leads (hot) together and push back inside the outlet box. (Fig. H)

Step 2. Install the metal plate and CoolTouch™ Wall Pocket on the existing wall outlet box using the four screws provided. then place the two plastic plugs into the wall plate. **NOTE:** The small plug goes in the TOP hole. (see figure I)

Option 2: Install the wall pocket on ANY flat surface. Select the desired location and use the CoolTouch™ wall pocket to mark the location for the mounting holes. Plastic wall anchors and screws are provided for this type of installation.

After installing the wall anchors, attached the CoolTouch™ wall pocket with the mounting screws and then insert the plastic plugs to finish the installation.

5. STORING THE TRANSMITTER

Place the transmitter in the wall pocket by inserting the bottom of the transmitter first and then press the top of the transmitter into the pocket. The transmitter will fully function from this location or you can remove it to use as a "Hand Held" device.

To remove the transmitter from the wall pocket, push the release button and the transmitter will fall into your hand.

6. TROUBLESHOOTING GUIDE

If the Ceiling Fan and or light fixture(s) fail to respond to commands from the transmitter, check the following.

- Check the main power supply and reset or turn on the breaker.
- Make sure the "Receiver Unit" is wired properly.
- Light Fixture pull chain switch turned to ON ?
- Good batteries in transmitter ? Replace if needed.
- Transmitter and Receiver "frequency" switches set to match each other ?

NOTE: The distance between the transmitter and receiver should not be greater than 30 feet. For best performance, make sure the Black Antenna on the end of the receiver unit remains extended and not tangled with any of the electrical wires.

WARNING: This control system is intended for use on 120 volt / 60 Hz power systems **ONLY**.

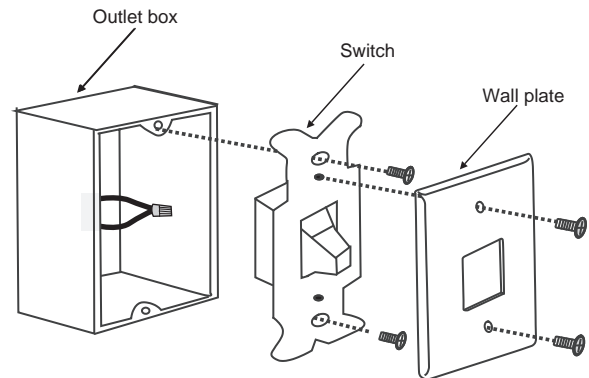


Fig. H

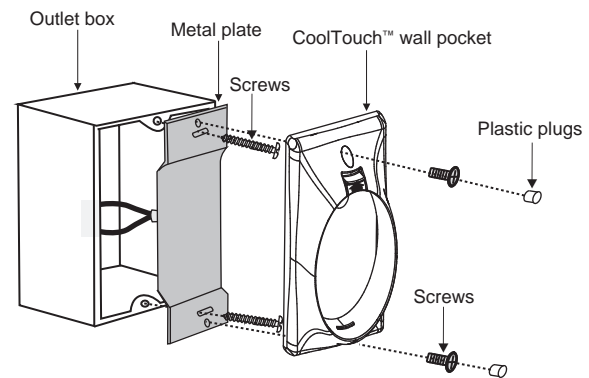


Fig. I

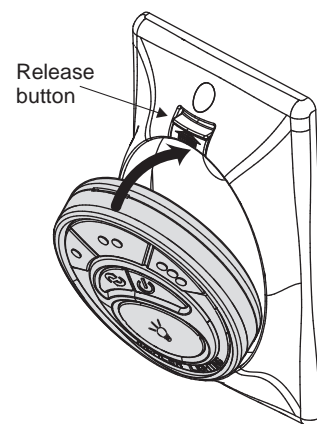


Fig. J