

# KICHLER®

## 60" JACE™ LED FAN

Product images may vary slightly from actual product.



## INSTRUCTION MANUAL



# TABLE OF CONTENTS

SAFETY RULES.....	4
TOOLS REQUIRED.....	5
PACKAGE CONTENTS.....	5
MOUNTING OPTIONS.....	6
HANGING THE FAN.....	7
INSTALLATION OF SAFETY SUPPORT.....	10
ELECTRICAL CONNECTIONS.....	11
FINISHING THE INSTALLATION.....	13
ATTACHING THE FAN BLADES.....	14
INSTALLING THE LIGHT PLATE.....	14

INSTALLING THE LED LIGHT KIT AND GLASS SHADE.....	15
<b>INSTALLING THE METAL SHADE.....</b>	<b>16</b>
<b>INSTALLING THE WALL TRANSMITTER .....</b>	<b>17</b>
<b>OPERATION INSTRUCTION .....</b>	<b>18</b>
TROUBLESHOOTING.....	19

# SAFETY RULES

1. To reduce the risk of electric shock, insure electricity has been turned off at the circuit breaker or fuse box before beginning.
2. All wiring must be in accordance with the National Electrical Code and local electrical codes. Electrical installation should be performed by a qualified licensed electrician.
3. **WARNING:** To reduce the risk of fire, electric shock, or personal injury, mount to outlet box marked "acceptable for fan support of 15.8 kg (35 lbs.) or less" and use mounting screws provided with the outlet box. Most outlet boxes commonly used for the support of light fixtures are not acceptable for fan support and may need to be replaced. Due to the complexity of the installation of this fan, a qualified licensed electrician is strongly recommended.

**WARNING: TO REDUCE THE RISK OF FIRE, ELECTRIC SHOCK OR PERSONAL INJURY, MOUNT FAN TO OUTLET BOX MARKED "ACCEPTABLE FOR FAN SUPPORT".**

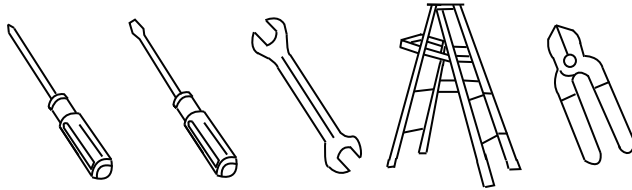
4. The outlet box and support structure must be securely mounted and capable of reliably supporting a minimum of 50 pounds. Use only CUL Listed outlet boxes marked "FOR FAN SUPPORT".
5. The fan must be mounted with a minimum of 7 feet clearance from the trailing edge of the blades to the floor.
6. To operate the reverse function on this fan, press the reverse button while the fan is running.

7. Avoid placing objects in the path of the blades.
8. To avoid personal injury or damage to the fan and other items, be cautious when working around or cleaning the fan.
9. Do not use water or detergents when cleaning the fan or fan blades. A dry dust cloth or lightly dampened cloth will be suitable for most cleaning.
10. After marking electrical connections, spliced conductors should be turned upward and pushed carefully up into outlet box. The wires should be spread apart with the grounded conductor and the equipment-grounding conductor on one side of the outlet box.
11. Electrical diagrams are reference only. Light kits that are not packed with the fan must be CUL Listed and marked suitable for use with the model fan you are installing. Switches must be CUL General Use Switches. Refer to the Instructions packaged with the light kits and switches for proper assembly.

**WARNING: TO REDUCE THE RISK OF PERSONAL INJURY, DO NOT BEND THE BLADE BRACKETS (ALSO REFERRED TO AS FLANGES) DURING ASSEMBLY OR AFTER INSTALLATION. DO NOT INSERT OBJECTS IN THE PATH OF THE BLADES.**

# TOOLS REQUIRED

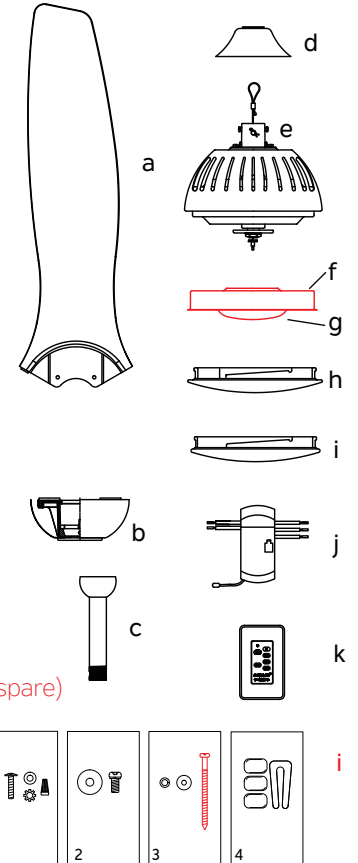
Philips screw driver  
 Blade screw driver  
 11 mm wrench  
 Step ladder  
 Wire cutters



# PACKAGE CONTENTS

Unpack your fan and check the contents. You should have the following items:

- a. Fan blades (3)
- b. Canopy & Ceiling mounting bracket
- c. Ball/downrod assembly
- d. Coupling cover
- e. Fan motor assembly
- f. Light kit plate
- g. 17W LED assembly  
 (pre-assembled in light kit plate)
- h. Glass shade
- i. Metal shade
- j. Receiver
- k. Wall Transmitter
- i. Part bag contents
  - 1) Mounting hardware:  
 wood screws (2), flat washers (2), star washers (2), wire nuts (3), screws (2)
  - 2) Blade attachment hardware:  
 Screw (12 pre-assembled+ 2 spare)  
 Metal washer (12 pre-assembled+ 2 spare)
  - 3) Safety cable hardware:  
 wood screw, spring washer, flat washer
  - 4) Balance Kit



# MOUNTING OPTIONS

If there isn't an existing UL (cUL for Canadian Installation) listed mounting box, then read the following instructions. Disconnect the power by removing fuses or turning off circuit breakers.

Secure the outlet box directly to the building structure. Use appropriate fasteners and building materials. The outlet box and its support must be able to fully support the moving weight of the fan (at least 50 lbs). Do not use plastic outlet boxes.

Figures 1, 2 and 3 are examples of different ways to mount the outlet box.

**NOTE:** If you are installing the ceiling fan on a sloped (vaulted) ceiling, you may need a longer downrod to maintain proper clearance between the tip of the blade and the ceiling. A minimum clearance of 12" is suggested for optimal operation.

**NOTE:** Depending on the location you have selected for installation, you may need to purchase and install a "Joist Hanger" for the support of the outlet box. Make sure the joist hanger you purchase has been designed for use with ceiling fans. (Fig. 4)

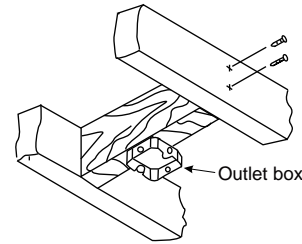


Fig. 1

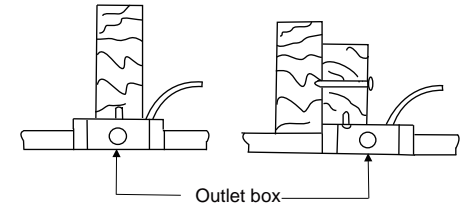


Fig. 2

**ANGLED CEILING  
MAXIMUM 30° ANGLE**

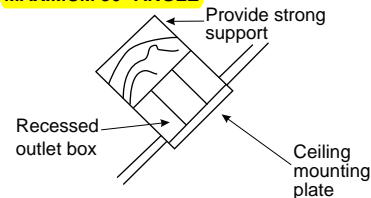


Fig. 3

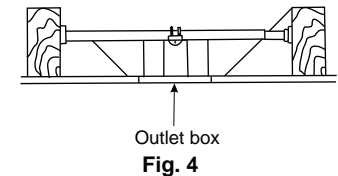


Fig. 4

# HANGING THE FAN

**REMEMBER** to turn off the power before you begin.

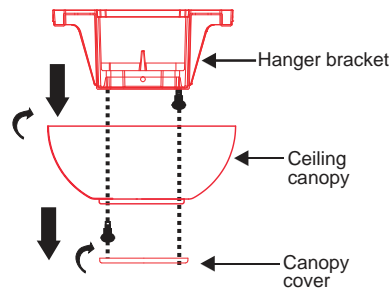
To properly install your ceiling fan, follow the steps below.

Step 1. Remove the decorative canopy bottom cover from the canopy by turning the cover counter clockwise. (Fig. 5)

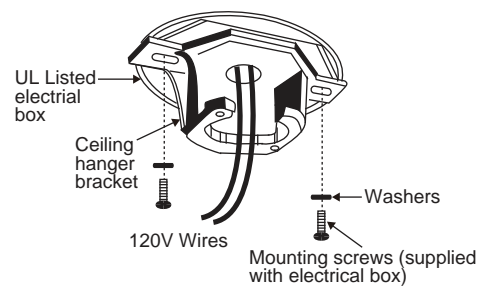
Step 2. Remove the ceiling mounting bracket from the canopy by removing (and save one of the two screws. Loosen the remaining screw by a half turn. (Fig. 5)

Step 3. Pass the 120 volt supply wires from the ceiling outlet box through the center of the ceiling mounting bracket. (Fig. 6)

Step 4. Attach the ceiling mounting bracket to the outlet box using the screws and washers included with the outlet box. (Fig.6)



**Fig. 5**



**Fig. 6**

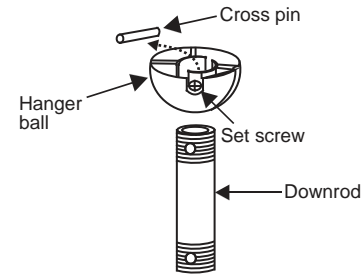
## HANGING THE FAN (continued)

Step 5. Remove the hanger ball from the downrod assembly by loosening the set screw, unscrewing and removing the cross pin and unscrewing the ball off the rod. (Fig. 7)

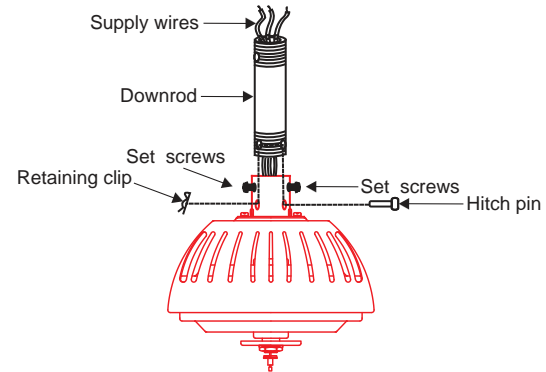
Step 6. Loosen the two set screws and remove the hitch pin and retaining clip from the coupling on top of the motor assembly. (Fig. 8)

Step 7. Carefully feed the electrical lead wires from the fan up through the downrod. Thread the downrod into the coupling until the Hitch pin holes are aligned.

Next, replace the hitch pin and retaining clip. Tighten both set screws. (Fig. 8)



**Fig. 7**



**Fig. 8**



## HANGING THE FAN (continued)

Step 8. Slip the coupling cover, canopy cover and canopy onto the downrod. (Fig. 9)

Thread the hanger ball onto the downrod, insert the cross pin through the downrod and tighten. Now tighten the set screw. (Fig. 9)

Step 9. Lift the motor assembly into position and place the hanger ball into the ceiling mounting bracket. (Fig. 10)

Rotate the entire assembly until the "Check Tab" has dropped into the "Registration Slot" and seats firmly. (Fig. 10)

The entire motor assembly should not rotate (left or right) when seated properly.

**WARNING:** Failure to reattach the cross pin and seat the "Check Tab" can cause the fan to fall from the ceiling during operation. Take special care to make sure this pin is reattached.

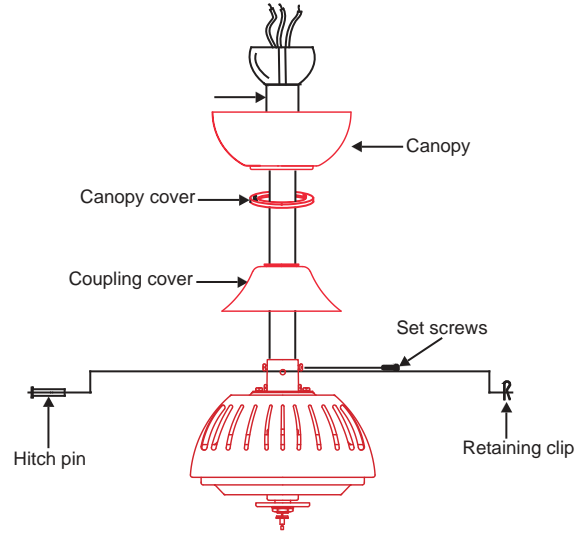


Fig. 9

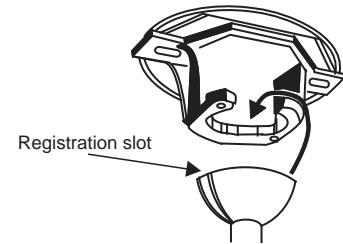


Fig. 10

# INSTALLATION OF SAFETY SUPPORT

(required for Canadian installation ONLY)

A safety support cable is provided to help prevent the ceiling fan from falling.

Step 1. Attach the provided wood screw and washers to the ceiling joist next to the mounting bracket but do not tighten. (Fig. 11)

Step 2. Adjust the length of the safety cable to reach the screw and washers by pulling the extra cable through the cable clamp until the overall length is correct, put the end of the cable back through the cable clamp, forming a loop at the end of the cable. Tighten the cable clamp securely. Now, put the loop in the end of the safety cable over the wood screw and under the washer. Tighten the wood screw securely.

**NOTE:** Although the safety support cable is required for Canadian installations only. It's a good idea to make the attachment with any installation.

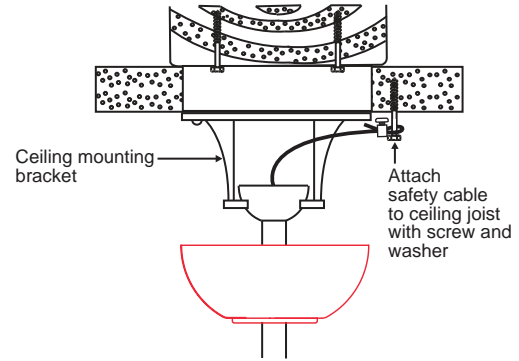


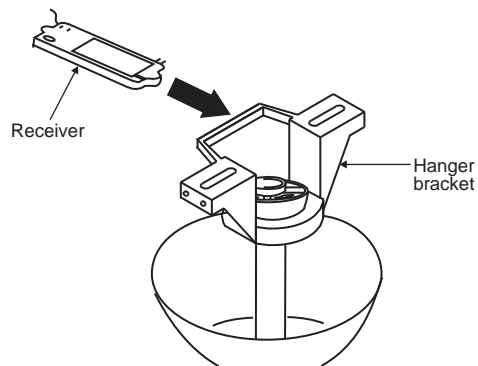
Fig. 11

# ELECTRICAL CONNECTIONS

**WARNING:** To avoid possible electrical shock, be sure you have turned off the power at the main circuit panel.

Follow the steps below to connect the fan to your household wiring. Use the wire connecting nuts supplied with your fan. Secure the connectors with electrical tape. Make sure there are no loose wire strands or connections.

Step 1. Insert the receiver into the ceiling mounting bracket with the flat side of the receiver facing the ceiling. (Fig. 12) For best performance, make sure the Black Antenna, on the end of the receiver, remains extended and not tangled with any of the electrical wires.



**Fig. 12**

# ELECTRICAL CONNECTIONS

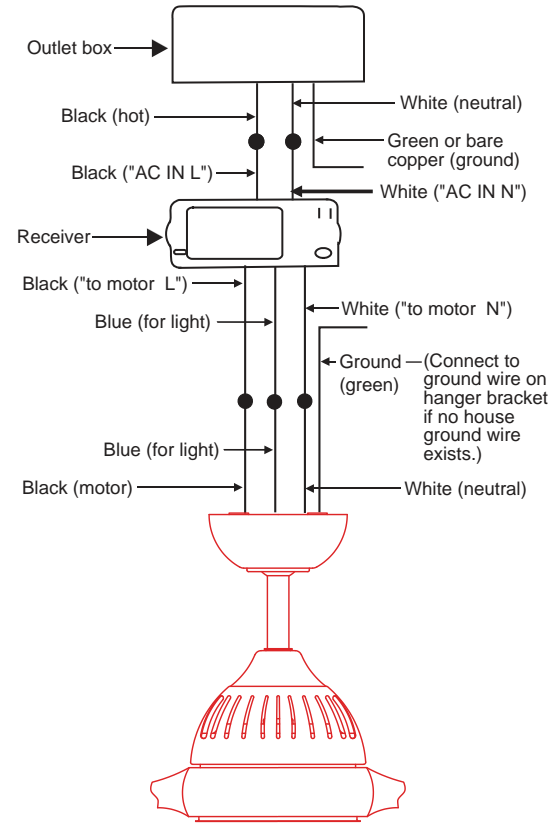
(continued)

Step 2. Motor to Receiver Electrical Connections: (Fig. 13) Connect the black wire from the fan to the black wire marked "TO MOTOR L" on the receiver. Connect the white wire from the fan to the white wire marked "TO MOTOR N" on the receiver. Connect the blue wire from the fan to the blue wire marked "FOR LIGHT" on the receiver. Secure all the wire connections with the plastic wire nuts provided.

Step 3. (Fig. 13) Receiver to House Supply Wires Electrical Connections: Connect the black (hot) wire from the ceiling to the black wire marked "AC in L" from the receiver. Connect the white (neutral) wire from the ceiling to the white wire marked "AC in N" from the Receiver. Secure the wire connections with the plastic wire nuts provided.

Step 4.(Fig.13) If your outlet box has a ground wire (green or bare copper) connect it to the fan ground wires; otherwise connect the hanging bracket ground wire to the mounting bracket. Secure the wire connection with a plastic nut provided. After connecting the wires, spread them apart so that the green and white wires are on one side of the outlet box and black and blue wires are on the other side. Carefully tuck the wire connections up into the outlet box.

**Note:** Fan must be installed at a maximum distance of 30 feet from the wall transmitter for optimal signal transmission between the transmitter and the fan's receiving unit.



**Fig. 13**

# FINISHING THE INSTALLATION

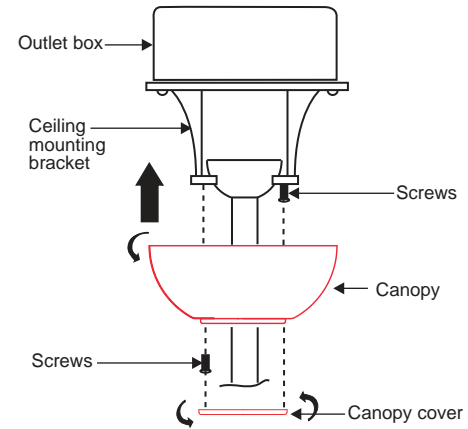
Step 1. Tuck all the connections neatly into the ceiling outlet box.

Step 2. Slide the canopy up to the mounting bracket and place one of the key hole slots over the mounting screw on the mounting bracket. Rotate the canopy until the screw head locks in place at the narrow section of the key hole. See figure 14.

Step 3. Align the remaining circular hole on the canopy with the remaining hole on the Ceiling Mounting Bracket. Insert and tighten the mounting screw you removed earlier and the mounting screw from Step 2 above. Now, attach the canopy cover to the mounting screw heads by inserting the screw heads into the bottom side of the canopy cover and rotating the cover clockwise.

**NOTE:** Adjust the canopy screws as necessary until the canopy and canopy cover are snug. (Fig. 14)

**WARNING:** Make sure the "Check Tab" at the bottom of the hanger bracket is properly seated in the "Registration Slot" on the side of the hanger ball before attaching the canopy to the bracket. Failure to properly seat the "Check Tab" could damage the electrical wires when to ceiling fan blade direction is changed while the fan is running.

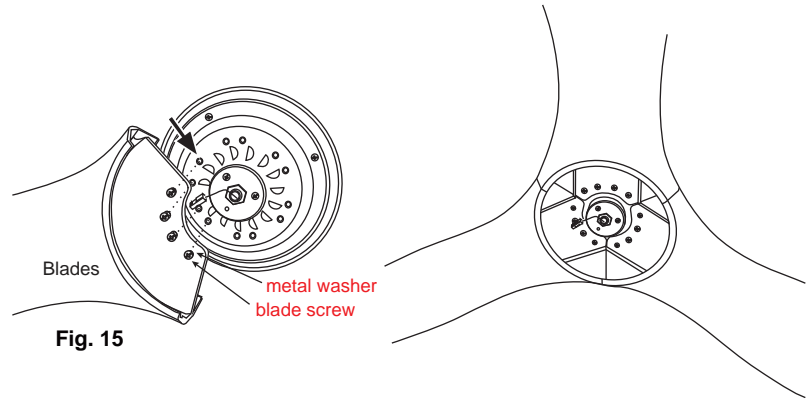


**Fig. 14**

# ATTACHING THE FAN BLADES

Step 1. Align the 4 holes from the blade to the fan motor assembly .  
Secure the blade with blade screw and metal washer pre-assembled.  
(Fig.15)

Step 2. Follow the same process for the remaining two blades.  
(Fig.15)



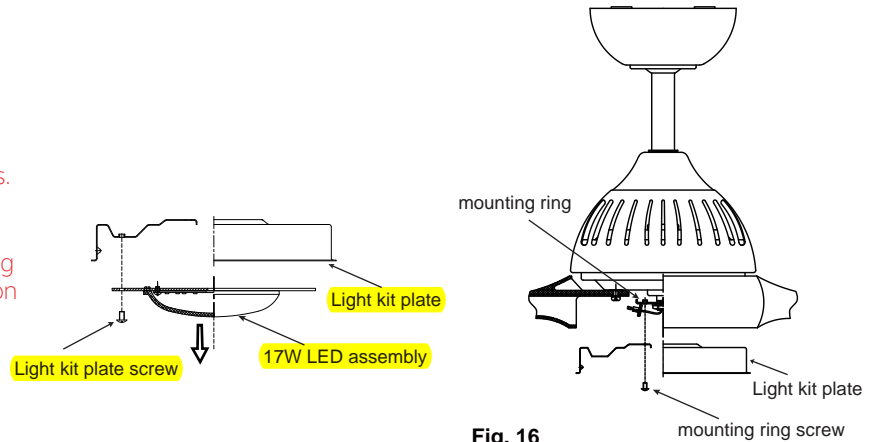
# INSTALLING THE LIGHT KIT PLATE

Step 1: Remove the 17W LED assembly from the light kit plate by removing the three light kit plate screws . Set these screws aside for use later.

Step 2. Remove one of three screw from the fan motor assembly mounting ring and loosen, but do not remove, the other two screws.

Step 3. Place the key holes from the light kit plate over the two screws previously loosened from the fan motor assembly mounting ring. Turn the light kit plate until it locks in place at the narrow section of the key holes.

Step 4. Secure by tightening the two screws previously loosened and the one screw previously removed.



# INSTALLING THE LED ASSEMBLY AND GLASS SHADE

**NOTE:** Before starting installation, disconnect the power by turning off the circuit breaker or removing the fuse at fuse box.

Step 1. While holding the LED assembly under your fan, firmly snap the wire connection plugs together.(Fig.17)

Step 2. Position the LED assembly on the light kit plate and ensure the screw holes are properly aligned.(Fig.17)

Step 3. Secure the LED assembly by replacing the three light kit plate screws previously removed. Tighten all screws securely.(Fig.17)

Step 4. Attach the glass shade to the light kit plate by twisting tightly.(Fig.17)

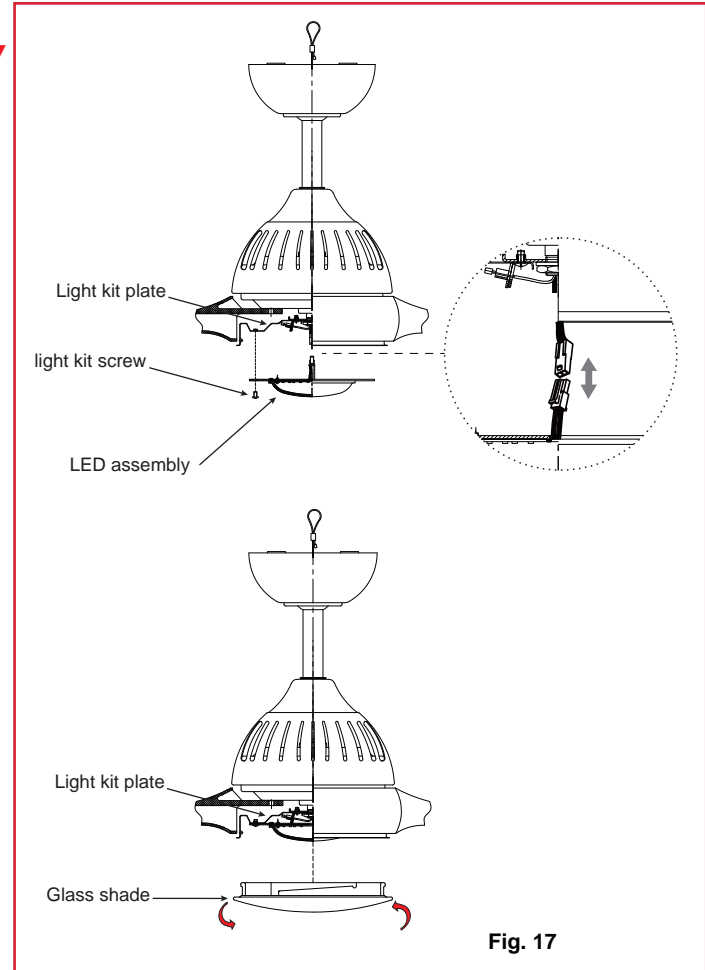
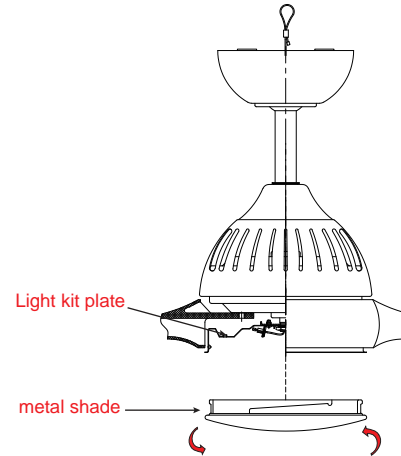


Fig. 17

# INSTALLING THE METAL SHADE

Step 1. If you want the fan to be non-light version, please kindly skip step of "installing the LED light kit and glass shade" above and follow the procedure directly : Attach the metal shade to the light kit plate by twisting tightly. (Fig.18)

**Warning: Before you install the metal shade, please make sure the LED assembly has been disconnected or removed.**



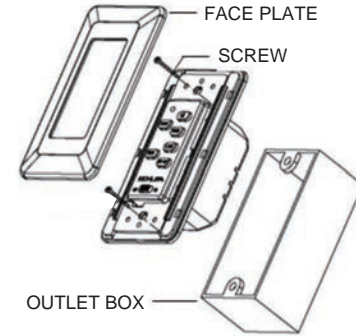
**Fig. 18**



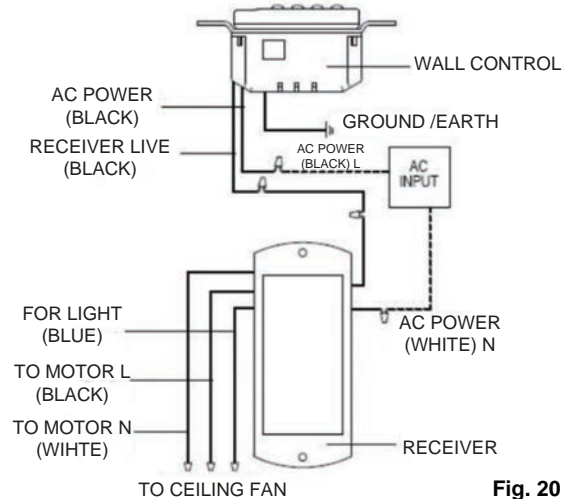
# INSTALLING THE WALL TRANSMITTER

**WARNING: HOOK UP 'IN SERIES' ONLY. DO NOT CONNECT NEUTRAL SUPPLY WIRE OF ELECTRIC CIRCUIT TO THE TRANSMITTER WALL SWITCH, DAMAGE TO THE TRANSMITTER WALL SWITCH AND POSSIBLE FIRE COULD OCCUR.**

- Step 1. Remove the existing wall plate and switch from the wall outlet box.(Fig.19)
- Step 2. Make the electrical connections as shown in Fig.20 . If your outlet box has a ground wire (Green or Bare Copper) connect the transmitter's ground wire directly to one of the screws from the outlet box. Secure all wire connections with the plastic wire nuts provides.
- Step 3. Carefully tuck the wire connections inside the wall outlet box . Use the screws provided to secure the wall transmitter and wall plate to the wall outlet box.



**Fig. 19**



**Fig. 20**

# OPERATION INSTRUCTION

## ACTIVATING THE LEARNING PROCESS(Fig.21)

**NOTE:** The control system for this fan is equipped with a learning frequency function which has 56K code combinations to prevent potential interference from other remote units. The frequency on your receiver and wall transmitter units have been preset at the factory. No frequency change is necessary. If the fan is non-functional or if you desire to install another fan within the same home or area with a separate frequency code, please see below "learning process" section of this instruction manual to code-pairing the receiver and wall transmitter.

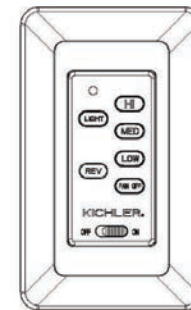
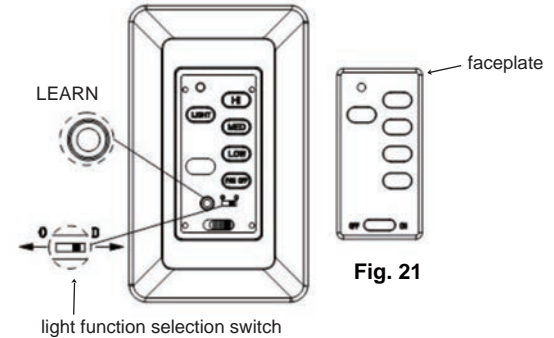
1. Use a small flat screw driver and gently pry the faceplate apart from the top of wall transmitter. (Fig.21)
2. After installation is complete, AC power is turned on and OFF/ON SWITCH is at ON position within 30 seconds, press and hold the LEARN button for 3 seconds. Fan will turn on at medium speed and light (if installed) will turn on. This confirms that the SMART SYNC setting is active and ok. (FIG. 21)
3. If user cannot finish the setting within the 30 seconds time frame, the main power must be turned off and re-started again. This will reset the unit. Repeat step 2 until the LEARNING feature is activated as indicated.

## LIGHT FUNCTION SELECT SWITCH(Fig.21)

1. D means " dimmer "
  - O means " only on/off, no dimmer"
- The light of this fan can be dimmer, so it has been set to "D" at factory side. If you want the light to be only on/off, please kindly switch it to "O"

## WALL TRANSMITTER OPERATION (Fig. 22)

- ON/OFF: Active the wall transmitter or Lock the wall transmitter.  
FAN OFF :Turn off the ceiling fan.  
HI : Turn on the fan at high speed.  
MED : Turn on the fan at medium speed.  
LOW: Turn on the fan at low speed.  
LIGHT: Turns the light ON or OFF. Press and hold the button to set the desired brightness.  
REV: Press this button for forward/reverse airflow of ceiling fan.



## REVERSE FUNCTION

**NOTE:** To change the direction of the rotation of the blades, the fan must be in operation.

Warm weather - Forward (counter clockwise) A downward airflow creates a cooling effect as shown in Fig. 23. This allows you to set your air conditioner on a warmer setting without affecting your comfort.

Cool weather - Reverse (clockwise) An upward airflow moves warm air off the ceiling area as shown in Fig. 24. This allows you to set your heating unit on a cooler setting without affecting your comfort.

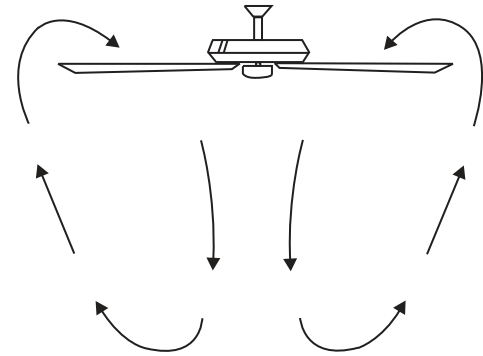


Fig. 23

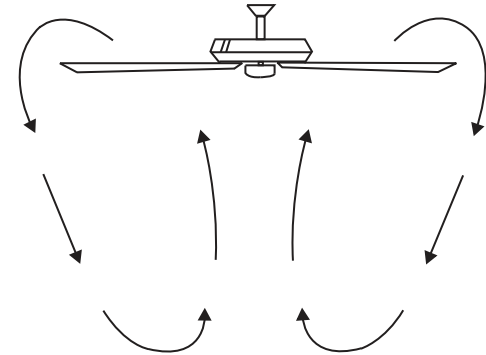


Fig. 24

# TROUBLESHOOTING

Problem	Solution
Fan will not start.	<ol style="list-style-type: none"><li>1. Check circuit fuses or breakers.</li><li>2. Check all electrical connections to insure proper contact.</li></ol> <p><b>CAUTION:</b> Make sure the main power is OFF when checking any electrical connection.</p>
Fan sounds noisy.	<ol style="list-style-type: none"><li>1. Make sure all motor housing screws are snug.</li><li>2. Make sure the screws that attach the fan blade brackets to the motor are tight.</li><li>3. Make sure wire nut connections are not rubbing against each other or the interior wall of the switch housing. <b>CAUTION:</b> Make sure main power is off.</li><li>4. Allow a 24-hour "breaking-in" period. Most noise associated with a new fan disappear during this time.</li><li>5. If using an optional light kit, make sure the screws securing the glassware are tight. Make sure the light bulbs are not touching any other component.</li><li>6. Do not connect this fan to wall mounted variable speed control(s). they are not compatible with ceiling fan motors or remote controls.</li><li>7. Make sure the upper canopy is a short distance from the ceiling. It should not touch the ceiling.</li></ol>
Fan wobble.	<ol style="list-style-type: none"><li>1. Check that all blade and blade arm screws are secure.</li><li>2. Most fan wobbling problems are caused when blade levels are unequal. Check this level by selecting a point on the ceiling above the tip of one of the blades. Measure this distance. Rotate the fan until the next blade is positioned for measurement. Repeat for each blade. The distance deviation should be equal within 1/8".</li><li>3. If the blade wobble is still noticeable, interchanging two adjacent (side by side) blades can redistribute the weight and possibly result in smoother operation.</li></ol>
Remote control malfunction.	<ol style="list-style-type: none"><li>1. Ceiling Fans with remote control systems <b>CAN NOT</b> be operated in conjunction with any other control system EXCEPT a basic On/Off wall switch, if desired.</li></ol>

# KICHLER®

[www.kichler.com](http://www.kichler.com)

KICHLER® LIGHTING

7711 EAST PLEASANT VALLEY ROAD P.O. BOX 318010

CLEVELAND, OHIO 44131-8010

CUSTOMER SERVICE 866.558.5706

8:30 AM TO 5:00 PM EST, MONDAY - FRIDAY

# KICHLER®

## VENTILADOR CON LED DE 60" JACE™

Las imágenes del producto pueden variar levemente respecto del producto real.



## MANUAL DE INSTRUCCIONES



# ÍNDICE

NORMAS DE SEGURIDAD.....	4
HERRAMIENTAS REQUERIDAS.....	5
CONTENIDO DEL ENVASE.....	5
OPCIONES DE MONTAJE.....	6
CÓMO COLGAR EL VENTILADOR.....	7
INSTALACIÓN DEL SOPORTE DE SEGURIDAD.....	10
CONEXIONES ELÉCTRICAS.....	11
FINALIZACIÓN DE LA INSTALACIÓN.....	13

ACOPLAMIENTO DE LAS ASPAS.....	14
INSTALACIÓN DE LA PLACA DE ILUMINACIÓN.....	14
INSTALACIÓN DEL KIT DE ILUMINACIÓN LED Y LA PANTALLA DE VIDRIO.....	15
INSTALACIÓN DE LA PANTALLA DE METAL.....	16
INSTALACIÓN DEL TRANSMISOR DE PARED.....	17
INSTRUCCIONES DE FUNCIONAMIENTO.....	18
LOCALIZACIÓN Y RESOLUCIÓN DE PROBLEMAS.....	20

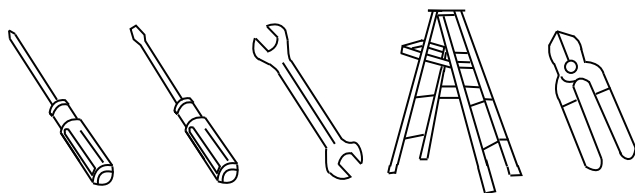


# NORMAS DE SEGURIDAD

1. Para reducir el riesgo de descarga eléctrica, asegúrese de haber cortado el suministro de energía desde el disyuntor o la caja de fusibles antes de comenzar.
  2. Todo el cableado debe realizarse conforme a lo establecido por el Código de Electricidad Nacional y a los códigos eléctricos locales. La instalación eléctrica debe ser realizada por un electricista con licencia profesional.
  3. **ADVERTENCIA:** Para reducir el riesgo de incendio, descarga eléctrica o lesiones personales, instale el dispositivo en una caja de distribución eléctrica designada como "Aceptable para soporte de ventiladores de 15,8 kg (35 libras) o menos" y use tornillos de montaje provistos con la caja de distribución eléctrica. La mayoría de las cajas de distribución eléctrica utilizadas comúnmente para el soporte de artefactos de iluminación no resultan adecuadas para el soporte de ventiladores y pueden requerir un reemplazo. Debido a la complejidad de la instalación de este ventilador, se recomienda contratar los servicios de un electricista con licencia profesional.
- ADVERTENCIA: PARA REDUCIR EL RIESGO DE INCENDIO, DESCARGA ELÉCTRICA O LESIONES PERSONALES, INSTALE EL VENTILADOR ÚNICAMENTE EN UNA CAJA DE DISTRIBUCIÓN ELÉCTRICA "ACEPTABLE PARA EL SOPORTE DE VENTILADORES".**
4. La caja de distribución eléctrica y la estructura de soporte deben instalarse en forma segura y ser capaces de soportar completamente un peso mínimo de 50 libras. Utilice únicamente cajas de distribución eléctrica con certificación CUL designadas como "ACEPTABLES PARA SOPORTE DE VENTILADORES".
  5. El ventilador debe instalarse con una distancia mínima de 7 pies entre el borde posterior de las aspas y el piso.
  6. Para operar la función inversa en este ventilador, oprima el botón de sentido inverso mientras el ventilador esté funcionando.
  7. Evite colocar objetos en el recorrido de las aspas del ventilador.
  8. Para evitar lesiones personales o daños al ventilador y otros objetos, tome todos los recaudos necesarios al limpiar o trabajar en el ventilador.
  9. No utilice agua ni detergente para limpiar el ventilador o las aspas del ventilador. Un paño seco o levemente humedecido será suficiente para realizar la mayoría de las tareas de limpieza.
  10. Después de realizar las conexiones eléctricas, los empalmes de los conductores deben colocarse hacia arriba y empujarse con cuidado hacia arriba hasta introducirse en la caja de distribución eléctrica. Los cables deben estar bien espaciados con el conductor de puesta a tierra y el conductor de puesta a tierra del equipo de un costado de la caja de distribución eléctrica.
  11. Los diagramas eléctricos se incluyen únicamente a efectos ilustrativos. Los kits de iluminación no incluidos con el ventilador deben contar con certificación CUL y estar autorizados para uso con el modelo de ventilador que usted esté instalando. Los interruptores deben ser interruptores de uso general con certificación CUL. Consulte las instrucciones que se incluyen con los kits de iluminación y los interruptores para un ensamblaje adecuado.
- ADVERTENCIA: PARA REDUCIR EL RIESGO DE LESIONES PERSONALES, NO CURVE LOS SOPORTES DE LAS ASPAS (TAMBIÉN DENOMINADOS ABRAZADERAS) DURANTE EL ENSAMBLAJE O DESPUÉS DE LA INSTALACIÓN. NO INSERTE OBJETOS EN EL RECORRIDO DE LAS ASPAS**

## HERRAMIENTAS REQUERIDAS

Destornillador Philips  
Destornillador plano  
Llave de 11 mm  
Escalera  
Cortacables

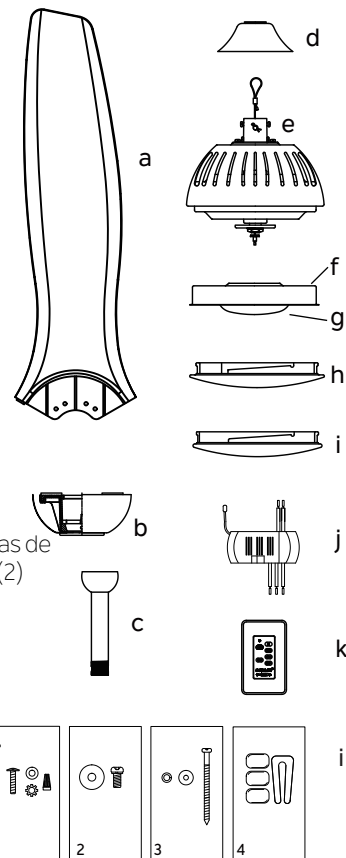


## CONTENIDO DEL ENVASE

Retire el ventilador de la caja y verifique que estén todos sus componentes. La caja debería contener los siguientes elementos:

- a. Aspas del ventilador (3)
- b. Soporte de montaje para cielorraso y cubierta
- c. Ensamblaje de bola/Vástago de extensión
- d. Tapa de acoplamiento
- e. Ensamblaje del motor del ventilador
- f. Placa del kit de iluminación
- g. Ensamblaje de LED de 17 V (kit de luz preensamblado)
- h. Pantalla de vidrio
- i. Pantalla de metal
- j. Receptor
- k. Transmisor de pared
- l. Contenido de la bolsa de piezas

- 1) Piezas metálicas de montaje: tirafondos (2), arandelas planas (2), arandelas de estrella (2), tuercas para cable (3), tornillos (2)
- 2) Piezas metálicas para acoplamiento de las aspas: tornillos (12 preinstalados + 2 de repuesto), arandelas de metal (12 preensambladas + 2 de repuesto)
- 3) Piezas metálicas del cable de seguridad: Tirafondos, arandela de seguridad, arandela plana
- 4) Kit de balanceo



# OPCIONES DE MONTAJE

Si no hay ninguna caja de montaje existente con certificación UL (cUL para instalación en Canadá), entonces lea las siguientes instrucciones. Desconecte el suministro de energía eléctrica retirando los fusibles o apagando los disyuntores.

Sujete la caja de distribución directamente a la estructura de la construcción. Utilice tornillos de fijación y materiales de construcción adecuados. La caja de distribución eléctrica y su soporte deben ser capaces de soportar completamente el peso en movimiento del ventilador (por lo menos 50 libras). No utilice cajas de distribución eléctrica de plástico.

Las figuras 1, 2 y 3 son ejemplos de diferentes formas de montaje de la caja de distribución.

**NOTA:** Si usted está instalando el ventilador de techo en un cielorraso cóncavo (abovedado), es posible que necesite un vástago de extensión más largo para mantener la separación adecuada entre el extremo de las aspas y el techo. Se recomienda una separación de 12" para un funcionamiento óptimo.

**NOTA:** Dependiendo del lugar que haya seleccionado para la instalación, es posible que usted necesite comprar e instalar un "colgante de viga" para el soporte de la caja de distribución eléctrica. Asegúrese de que el colgante de viga que compre se haya diseñado para uso con ventiladores de techo. (Fig. 4)

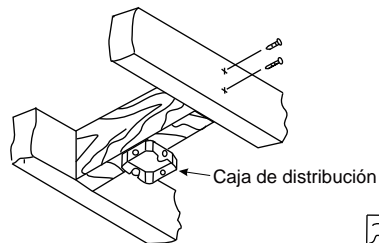


Fig. 1

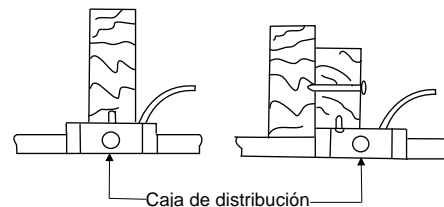


Fig. 2

**CIELORRASO EN ÁNGULO, MÁXIMO DE 30°**

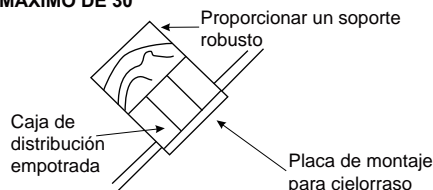


Fig. 3

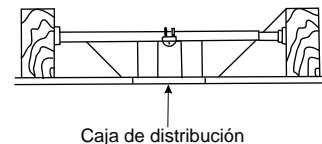


Fig. 4

# CÓMO COLGAR EL VENTILADOR

**RECUERDE** desconectar el suministro de energía eléctrica antes de comenzar con la instalación. Para instalar su ventilador de techo de manera adecuada, siga los pasos detallados a continuación.

**Paso 1.** Retire la tapa inferior de la cubierta decorativa haciéndola girar en sentido antihorario. (Fig. 5)

**Paso 2.** Retire el soporte de montaje para cielorraso de la cubierta quitando uno de los dos tornillos (que debe guardarse). Afloje media vuelta el otro tornillo. (Fig. 5)

**Paso 3.** Pase los cables de alimentación de 120 voltios desde la caja de distribución eléctrica del techo a través del centro de la placa de montaje de techo. (Fig. 6)

**Paso 4.** Acople el soporte de montaje para cielorraso a la caja de distribución eléctrica utilizando los tornillos y las arandelas incluidas con la caja de distribución. (Fig. 6)

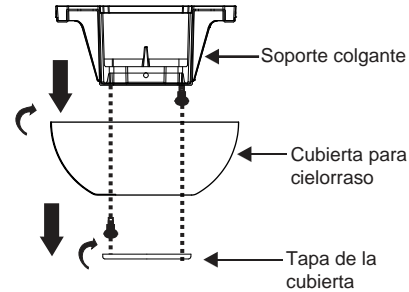


Fig. 5

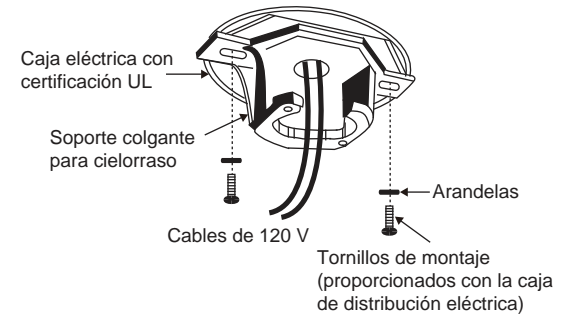


Fig. 6

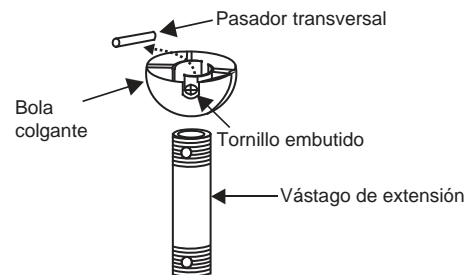
# CÓMO COLGAR EL VENTILADOR (CONTINUACIÓN)

**Paso 5.** Retire la bola colgante del ensamblaje del vástago de extensión aflojando el tornillo embutido, desatornillándolo y retirando el pasador transversal y deslizando la bola hasta sacarla del vástago. (Fig. 7)

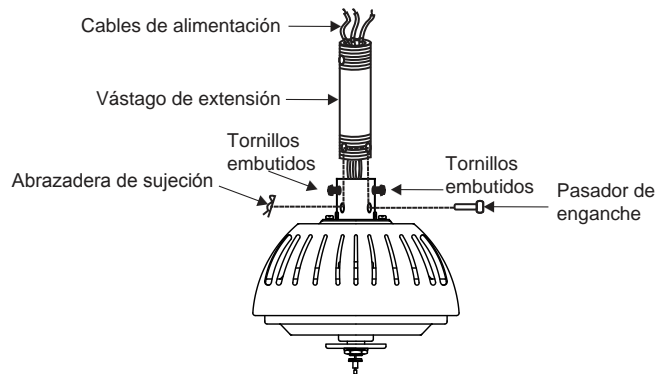
**Paso 6.** Afloje los dos tornillos y retire el pasador de enganche y el clip de sujeción del acoplamiento en la parte superior del ensamblaje del motor. (Fig. 8)

**Paso 7.** Inserte con cuidado los cables eléctricos desde el ventilador hacia arriba a través del vástago de extensión. Enrosque el vástago de extensión en el acoplamiento hasta que los orificios del pasador de enganche estén alineados.

Luego, vuelva a colocar el pasador de enganche y la abrazadera de sujeción. Ajuste ambos tornillos embutidos. (Fig. 8)



**Fig. 7**



**Fig. 8**

# CÓMO COLGAR EL VENTILADOR (CONTINUACIÓN)

**Paso 8.** Deslice la tapa de acoplamiento, la tapa de la cubierta y la cubierta sobre el vástago de extensión. (Fig. 9) Enrosque la bola colgante en el vástago de extensión, inserte el pasador transversal en el vástago de extensión y ajuste. Ahora, ajuste el tornillo embutido. (Fig. 9)

**Paso 9.** Levante el cuerpo del motor hasta ubicarlo en posición y coloque la bola colgante dentro del soporte de montaje para cielorraso.

Gire el ensamblaje completo hasta que la “pestaña de verificación” haya caído en la “ranura de registro” y se haya asentado con firmeza. (Fig. 10)

El cuerpo completo del motor no girará (hacia la derecha o hacia la izquierda) si esto se hace correctamente.

**ADVERTENCIA:** Si no se vuelve a acoplar el pasador transversal y asentar la “pestaña de verificación” el ventilador podría caer durante su funcionamiento. Tome todos los recaudos necesarios para asegurarse de que el pasador vuelva a posicionarse en su lugar.

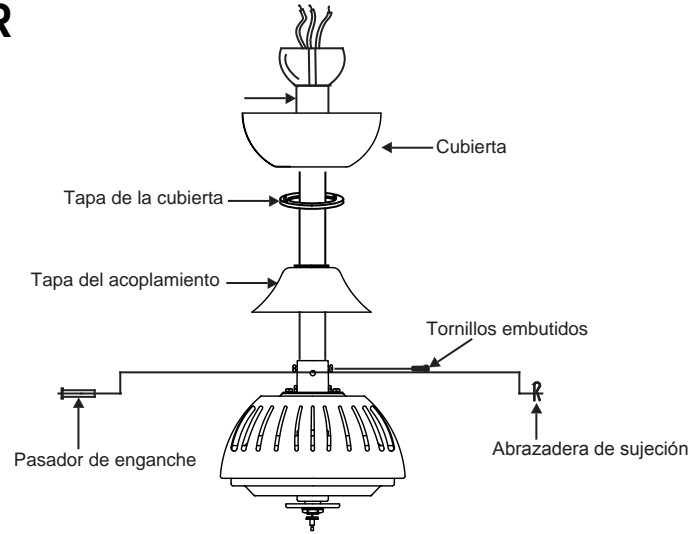


Fig. 9

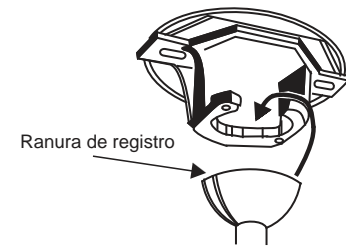


Fig. 10

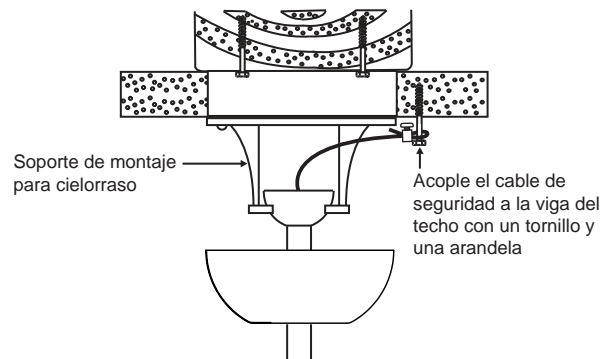
## 6. INSTALACIÓN DEL SOPORTE DE SEGURIDAD (SE REQUIERE ÚNICAMENTE PARA SU INSTALACIÓN EN CANADÁ)

Se incluye un cable de soporte de seguridad que contribuye a evitar que el ventilador de techo se caiga.

**Paso 1.** Inserte el tirafondo y arandelas proporcionados en el colgante de viga junto al soporte de montaje, pero no ajuste. (Fig. 11)

**Paso 2.** Ajuste la longitud del cable de seguridad para alcanzar el tornillo y las arandelas jalando todo el cable extra a través del sujetacables hasta que la longitud total sea la correcta; coloque el extremo del cable hacia atrás a través del sujetacables, formando un bucle al final del cable. Ajuste el sujetacables con firmeza. Ahora, coloque el bucle al final del cable de seguridad por encima del tirafondo y por debajo de la arandela. Ajuste bien el tirafondo.

**NOTA:** Aunque el cable de soporte de seguridad se requiere únicamente para instalaciones en Canadá, se recomienda su uso con cualquier instalación.



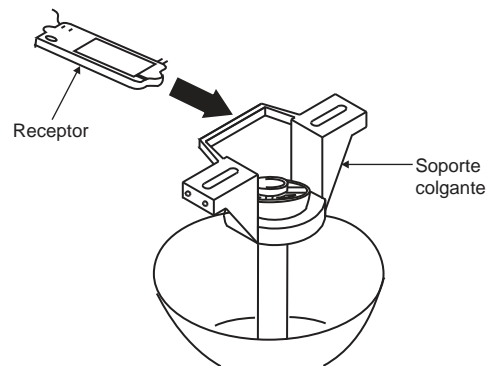
**Fig. 11**

# CONEXIONES ELÉCTRICAS

**ADVERTENCIA:** Para evitar posibles descargas eléctricas, asegúrese de haber desconectado el suministro de energía eléctrica desde el panel de circuito principal.

Siga los pasos a continuación para conectar el ventilador al cableado de su hogar. Utilice las tuercas para cable proporcionadas con el ventilador. Asegure los conectores con cinta aislante. Asegúrese de que no haya conexiones o terminaciones de cables sueltas.

**Paso 1.** Inserte el receptor en el soporte de montaje para cielorraso con el lado plano del receptor mirando al techo. (Fig. 12) Para un mejor desempeño, asegúrese de que la antena negra, al final del receptor, permanezca extendida y no se enrosque con ningún cable eléctrico.



**Fig. 12**



# CONEXIONES ELÉCTRICAS (CONTINUACIÓN)

**Paso 2.** Conexiones eléctricas del motor al receptor: (Fig. 13)

Conecte el cable negro del ventilador al cable negro marcado como "TO MOTOR L" (AL MOTOR L) del receptor. Conecte el cable blanco del ventilador al cable blanco marcado como "TO MOTOR N" (AL MOTOR N) del receptor.

Conecte el cable azul del ventilador al cable azul marcado como "FOR LIGHT" (PARA ILUMINACIÓN) del receptor. Asegure las conexiones de cables con las tuercas plásticas para cable proporcionadas.

**Paso 3.** (Fig. 13) Conexiones eléctricas del receptor a los cables de alimentación del hogar:

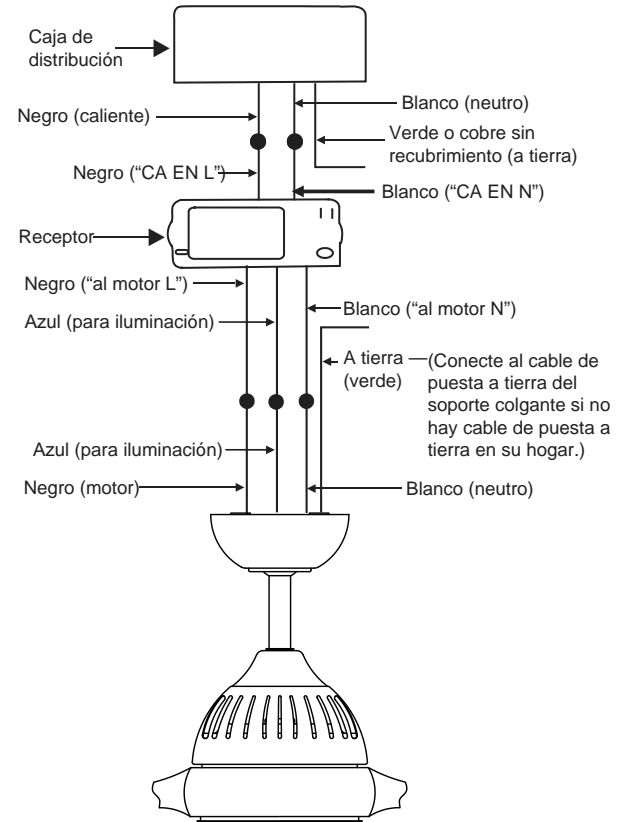
Conecte el cable negro (caliente) del cielorraso al cable negro marcado como "AC in L" (CA en L) del receptor.

Conecte el cable blanco (neutro) del cielorraso con el cable blanco marcado como "AC in N" (CA en N) del receptor.

Asegure las conexiones de cables con las tuercas plásticas para cable proporcionadas.

**Paso 4.** (Fig. 13). Si su caja de distribución tiene un cable de puesta a tierra (verde o cobre sin recubrimiento), conéctelo a los cables de puesta a tierra del ventilador; en caso contrario, conecte el cable de puesta a tierra del soporte colgante al soporte de montaje. Asegure la conexión eléctrica con una tuerca de plástico para cable proporcionada. Después de haber conectado los cables, sepárelos de manera que el cable verde y el cable blanco queden de un costado de la caja de distribución y el cable azul y el cable negro queden del otro costado. Empuje con cuidado las conexiones de cables hacia arriba dentro de la caja de distribución.

**NOTA:** El ventilador debe instalarse a una distancia mínima de 30 pies del transmisor de pared para lograr una transmisión óptima de la señal entre el transmisor y la unidad receptora del ventilador.



**Fig. 13**

# FINALIZACIÓN DE LA INSTALACIÓN

**Paso 1.** Inserte las conexiones en forma ordenada dentro de la caja de distribución eléctrica del cielorraso.

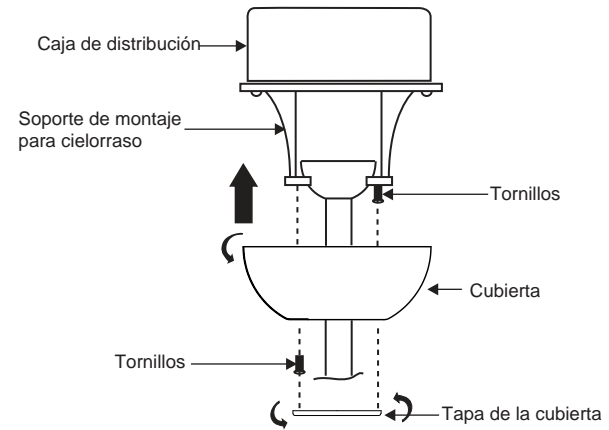
**Paso 2.** Deslice la cubierta hacia arriba hasta el soporte de montaje y coloque una de las ranuras de los orificios principales sobre el tornillo de montaje en el soporte de montaje. Haga girar la cubierta hasta que el tornillo se trabe en posición en la sección angosta del orificio principal. Ver Figura 14.

**Paso 3.** Alinee el orificio circular restante sobre la cubierta con el orificio restante del soporte de montaje para cielorraso. Inserte y ajuste el tornillo de montaje que retiró anteriormente y el tornillo de montaje del Paso 2 arriba.

Ahora, acople la tapa de la cubierta con las cabezas del tornillo de montaje insertando las cabezas de los tornillos del lado inferior de la tapa de la cubierta y haciendo girar la tapa en sentido horario.

**NOTA:** Ajuste los tornillos de la cubierta según sea necesario hasta que la cubierta y la tapa de la cubierta estén bien ajustadas. (Fig. 14)

**ADVERTENCIA:** Asegúrese de que la “Pestaña de verificación” en la parte inferior del soporte colgante esté bien apoyada en la “ranura de registro” en el costado de la bola colgante antes de acoplar la cubierta con el soporte. El asiento incorrecto de la “pestaña de verificación” puede dañar los cables eléctricos cuando la dirección de las aspas del ventilador del techo se modifique con el ventilador en movimiento.



**Fig. 14**

# ACOPLAMIENTO DE LAS ASPAS

**Paso 1.** Alinee los 2 orificios del aspa con el ensamblaje del motor del ventilador. Asegure el aspa con el tornillo y la arandela de metal preensamblada.(Fig. 15)

**Paso 2.** Repita este proceso para acoplar las otras dos aspas. (Fig. 15)

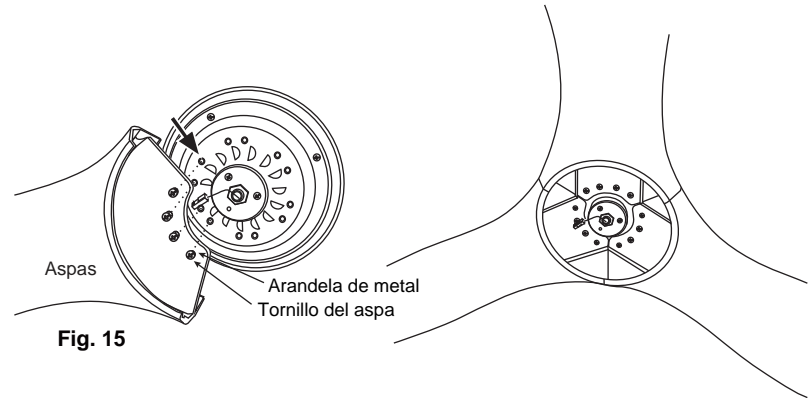


Fig. 15

# INSTALACIÓN DE LA PLACA DEL KIT DE ILUMINACIÓN

**Paso 1:** Retire el ensamblaje de LED de 17W de la placa del kit de iluminación retirando los tres tornillos de la placa del kit de iluminación. Deje los tornillos separados para usar después.

**Paso 2.** Retire uno de los tres tornillos del anillo de montaje del ensamblaje del motor del ventilador y afloje, pero no retire, los otros dos tornillos.

**Paso 3.** Coloque los orificios principales de la placa del kit de iluminación sobre los dos tornillos aflojados previamente del anillo de montaje del ensamblaje del motor del ventilador. Haga girar la placa del kit de iluminación hasta que se trabe en posición en el extremo angosto de las ranuras de los orificios principales.

**Paso 4.** Asegure ajustando los dos tornillos aflojados previamente y el tornillo retirado previamente.

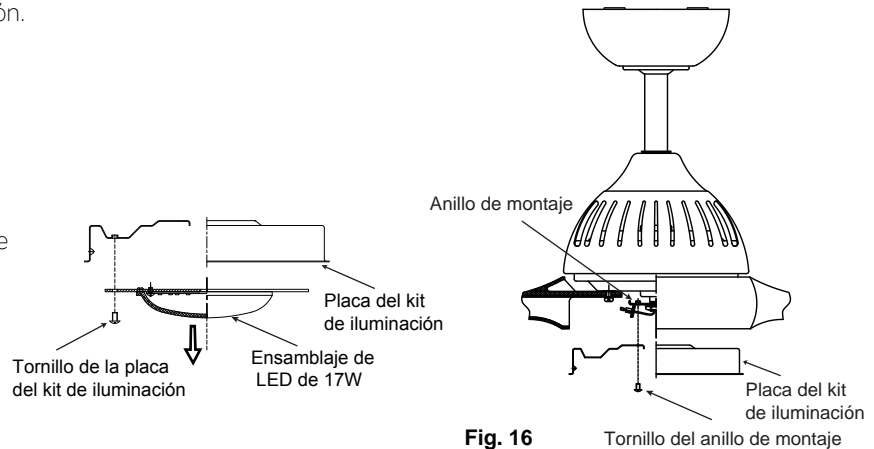


Fig. 16

# INSTALACIÓN DEL ENSAMBLAJE DE ILUMINACIÓN LED Y LA PANTALLA DE VIDRIO

**NOTA:** Antes de comenzar con la instalación, asegúrese de que la electricidad esté desconectada desde el disyuntor o retire el fusible de la caja de fusibles.

**Paso 1.** Mientras sostiene el ensamblaje de LED por debajo del ventilador de techo, acople los conectores con firmeza entre sí. (Fig.17)

**Paso 2.** Coloque el ensamblaje del kit de iluminación LED en la placa del kit de iluminación y asegúrese de que los orificios de los tornillos estén bien alineados (Fig. 17)

**Paso 3.** Asegure el ensamblaje del kit de iluminación LED volviendo a colocar los tres tornillos retirados previamente. Ajuste bien todos los tornillos. (Fig. 17)

**Paso 4.** Acople la pantalla de vidrio a la placa del kit de iluminación haciéndola girar con fuerza (Fig. 17).

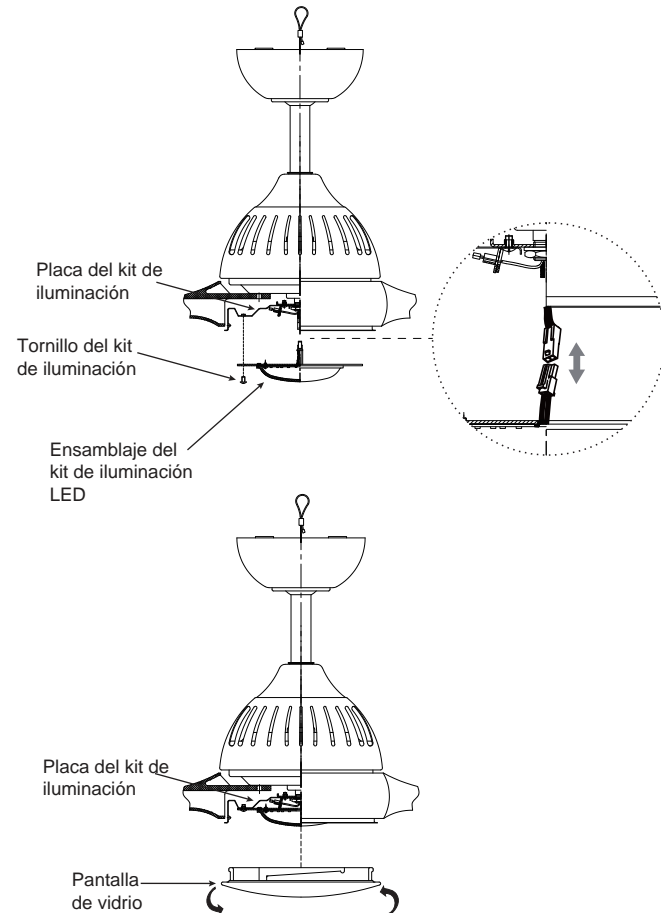
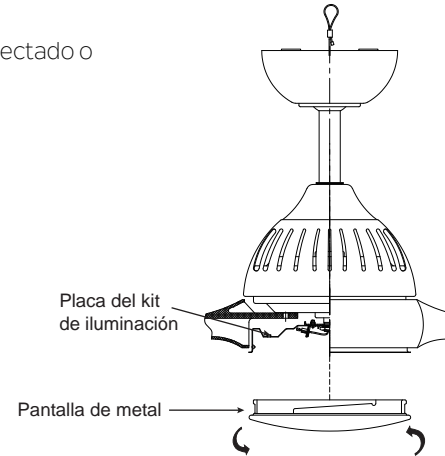


Fig. 17

# INSTALACIÓN DE LA PANTALLA DE METAL

**Paso 1.** Si usted desea no instalar el kit de iluminación en el ventilador, omita el paso de “instalación del kit de iluminación LED y la pantalla de vidrio” anterior y siga directamente el procedimiento: Acople la pantalla de metal a la placa del kit de iluminación haciéndola girar con fuerza. (Fig. 18)

**ADVERTENCIA:** Antes de instalar la pantalla de metal, asegúrese de haber desconectado o retirado el ensamblaje de LED.



**Fig. 18**

# INSTALACIÓN DEL TRANSMISOR DE PARED

**ADVERTENCIA:** CONECTE ÚNICAMENTE “EN SERIE”. NO CONECTE EL CABLE DE ALIMENTACIÓN BLANCO DEL CIRCUITO ELÉCTRICO CON EL INTERRUPTOR DEL TRANSMISOR DE PARED; SE PODRÍA DAÑAR EL INTERRUPTOR DEL TRANSMISOR DE PARED Y PODRÍA PROVOCARSE UN INCENDIO.

**Paso 1.** Retire la placa de pared y el interruptor existentes de la caja de distribución eléctrica. (Fig. 19)

**Paso 2.** Haga las conexiones eléctricas tal como se muestra en la Fig. 20. Si su caja de distribución tiene un cable de puesta a tierra (verde o cobre sin recubrimiento), conecte el cable de puesta a tierra del transmisor directamente a uno de los tornillos de la caja de distribución eléctrica. Asegure todas las conexiones de cables con las tuercas plásticas proporcionadas.

**Paso 3.** Empuje con cuidado todas las conexiones de cables dentro de la caja de distribución eléctrica de pared. Utilice los tornillos proporcionados para asegurar el transmisor de pared y la placa de pared a la caja de distribución eléctrica de pared.

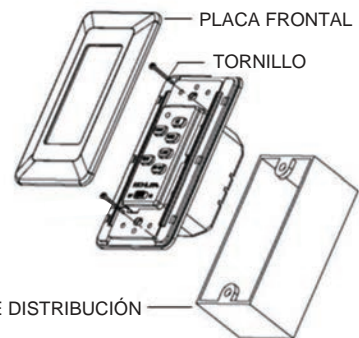


Fig. 19

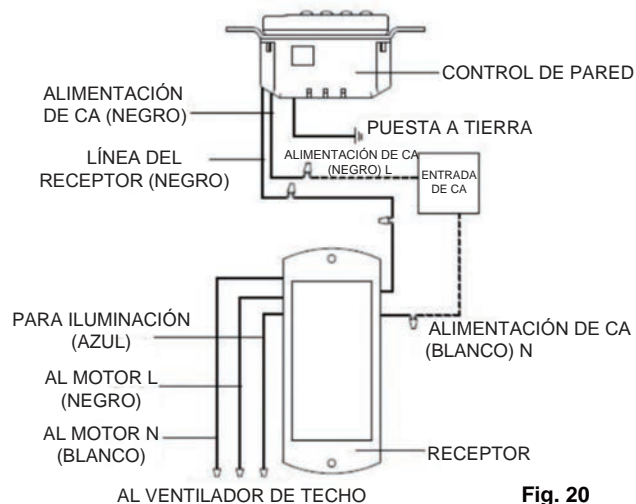



Fig. 20

# INSTRUCCIONES DE FUNCIONAMIENTO

## ACTIVACIÓN DEL PROCESO DE OBTENER INFORMACIÓN (FIG. 21)

**NOTA:** El sistema de control del ventilador está equipado con una función de obtener información de frecuencia con 56K posibles combinaciones de códigos para evitar la interferencia desde otras unidades remotas.

La frecuencia de las unidades del receptor y el transmisor de pared viene configurada de fábrica. No se requiere ningún cambio de frecuencia. Si el ventilador no es funcional o si usted desea instalar otro ventilador en el mismo hogar o área con un código de frecuencia separado, consulte la sección "Proceso de obtener información" del Manual de instrucciones para emparejar el código del receptor y del transmisor de pared.

1. Utilice un destornillador plano pequeño y retire suavemente la placa frontal de la parte superior del transmisor de pared. (Fig. 21)
2. Una vez finalizada la instalación, encienda la CA y el INTERRUPTOR  estará en posición ON dentro de los 30 segundos, oprima el botón LEARN (OBTENER INFORMACIÓN) durante 3 segundos. El ventilador se encenderá a velocidad media y se encenderá la luz (si estuviera instalada). Esto confirma que la configuración de SINCRONIZACIÓN INTELIGENTE está activa y funciona de manera adecuada. (Fig. 21)
3. Si el usuario no puede completar la configuración dentro del intervalo de 30 segundos, deberá desconectar el suministro eléctrico principal y reiniciar el proceso. Esto reiniciará la unidad. Repita el paso 2 hasta que la función del botón LEARN (OBTENER INFORMACIÓN) se active conforme a lo indicado.

## INTERRUPTOR DE SELECCIÓN DE FUNCIÓN DE ILUMINACIÓN (Fig. 21)

1. D significa "dispositivo de regulación de la intensidad de la luz" O significa "sólo on/off", sin dispositivo de regulación de intensidad de la luz" La luz de este ventilador puede regularse, por ello se ha establecido como "D" de fábrica. Si usted desea que la luz pueda apagarse y encenderse únicamente, cambie el interruptor a "O"

## FUNCIONAMIENTO DEL TRANSMISOR DE PARED (Fig. 22)

ON/OFF (ENCENDIDO/APAGADO): Activa el transmisor de pared o bloquea el transmisor de pared.

FAN OFF (VENTILADOR APAGADO): Apaga el ventilador de techo.

HI: Enciende el ventilador a alta velocidad.

MED: enciende el ventilador a velocidad media.

LOW (BAJA): Enciende el ventilador a baja velocidad.

LIGHT (ILUMINACIÓN): Enciende o apaga la luz. Presione y mantenga presionado el botón para establecer el brillo deseado.

REV (SENTIDO INVERSO): Presione este botón para cambiar el sentido de rotación de las aspas del ventilador de techo.

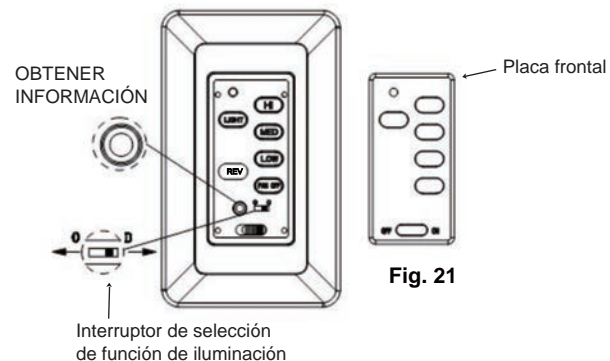


Fig. 21

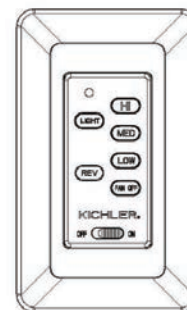


Fig. 22

## FUNCIÓN DE SENTIDO INVERSO

**NOTA:** Para cambiar el sentido de rotación de las aspas, el ventilador debe estar funcionando.

Clima cálido Avance

(sentido anti horario) Un flujo de aire descendente crea un efecto de enfriamiento tal como se muestra en la Fig. 23. Esto permite configurar su acondicionador de aire en casos de clima más cálido sin afectar su comodidad.

Clima frío Sentido

inverso (sentido horario) Un flujo de aire ascendente desplaza el aire caliente del área del cielorraso tal como se muestra en la Fig. 24. Esto permite configurar la calefacción en casos de clima más fresco sin afectar su comodidad.

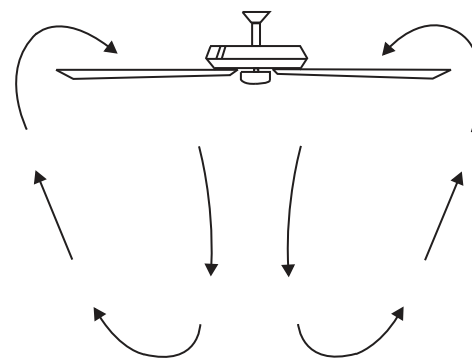


Fig. 23

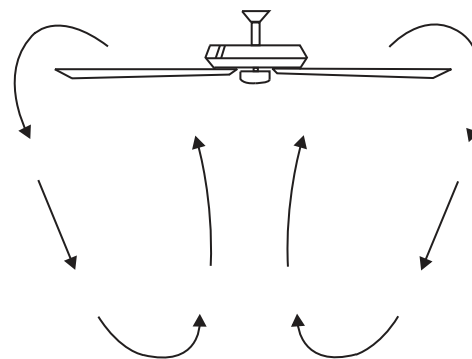


Fig. 24



# LOCALIZACIÓN Y RESOLUCIÓN DE PROBLEMAS

Problema	Solución
El ventilador no arranca.	<ol style="list-style-type: none"><li>1. Controle el funcionamiento de los fusibles de circuito o los disyuntores.</li><li>2. Verifique todas las conexiones eléctricas para asegurar el debido contacto.</li></ol> <p><b>PRECAUCIÓN:</b> Asegúrese de que la corriente principal esté DESCONECTADA al verificar cualquier conexión eléctrica</p>
El ventilador hace mucho ruido.	<ol style="list-style-type: none"><li>1. Asegúrese de que todos los tornillos de la caja del motor estén ajustados.</li><li>2. Asegúrese de que los tornillos que sujetan los soportes de las aspas del ventilador al motor estén ajustados.</li><li>3. Asegúrese de que las conexiones empalmadas con conectores no se rocen entre sí o contra la pared interna de la caja de interruptores.</li></ol> <p><b>PRECAUCIÓN:</b> Asegúrese de que la corriente principal esté desconectada.</p> <ol style="list-style-type: none"><li>4. Se requiere un lapso de “adaptación” de 24 horas. La mayoría de los ruidos asociados con un nuevo ventilador desaparecen en este lapso.</li><li>5. Si se utiliza un kit de iluminación opcional, asegúrese de que los tornillos que sujetan las piezas de vidrio estén ajustados. Asegúrese de que las bombillas de luz no estén tocando ningún otro componente.</li><li>6. No conecte el ventilador a un control o controles de velocidad variable de pared. No son compatibles con los motores de los ventiladores de techo o los controles remotos.</li><li>7. Asegúrese de que la cubierta superior esté cerca del techo. No debe tocar el techo.</li></ol>
El ventilador tambalea.	<ol style="list-style-type: none"><li>1. Verifique que todos los tornillos de las aspas y de los brazos de las aspas estén ajustados.</li><li>2. La mayoría de los problemas de tambaleo de los ventiladores son provocados por la desigualdad de los niveles de las aspas. Verifique este nivel seleccionando un punto en el techo por encima del extremo de una de las aspas. Mida esta distancia. Haga girar el ventilador hasta posicionar la siguiente aspa para su medición. Repita con cada aspa. La desviación de la distancia debe ser igual dentro de 1/8 de pulgada.</li><li>3. Si el tambaleo de las aspas aún puede apreciarse, el intercambio de dos aspas adyacentes (una junto a la otra) permite redistribuir el peso y posiblemente resulte en un mejor funcionamiento.</li></ol>
Mal funcionamiento del control remoto.	<ol style="list-style-type: none"><li>1. Los ventiladores de techo con sistemas de control remoto <b>NO PUEDEN</b> operarse junto con ningún otro sistema de control <b>SALVO</b> un interruptor básico de encendido/apagado de pared, si así se desea.</li></ol>

# KICHLER®

[www.kichler.com](http://www.kichler.com)

KICHLER® LIGHTING

7711 EAST PLEASANT VALLEY ROAD P.O. BOX 318010

CLEVELAND, OHIO 44131-8010

SERVICIO DE ATENCIÓN AL CLIENTE 866.558.5706

8:30 AM A 5:00 PM HORA DEL ESTE, DE LUNES A VIERNES

# KICHLER®

## VENTILATEUR À LED JACE™ 60 po

Le produit peut différer légèrement des illustrations.



## MANUEL D'INSTRUCTIONS



# TABLE DES MATIÈRES

CONSIGNES DE SÉCURITÉ.....	4	FIXATION DES PALES DE VENTILATEUR.....	14
OUTILLAGE REQUIS.....	5	INSTALLATION DE LA PLAQUE D'ÉCLAIRAGE.....	14
CONTENU DE L'EMBALLAGE.....	5	INSTALLATION DU KIT D'ÉCLAIRAGE À LED ET CACHE EN VERRE.....	15
OPTIONS DE MONTAGE.....	6	INSTALLATION DU CACHE EN METAL.....	16
SUSPENSION DU VENTILATEUR.....	7	INSTALLATION DE L'ÉMETTEUR MURAL.....	17
INSTALLATION DU SUPPORT DE SÉCURITÉ.....	10	INSTRUCTIONS D'UTILISATION.....	18
CONNEXIONS ÉLECTRIQUES.....	11	DÉPANNAGE.....	20
FIN DE L'INSTALLATION.....	13		

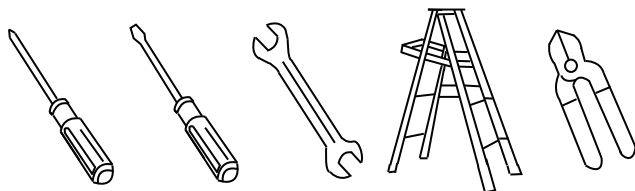
# CONSIGNES DE SÉCURITÉ

1. Pour réduire le risque d'électrocution, assurez-vous que l'électricité a été coupée au niveau du disjoncteur ou de la boîte à fusibles avant de commencer.
  2. Le câblage doit être installé conformément au code national d'électricité américain (NEC) et aux codes locaux. Les travaux d'électricité doivent être exécutés par un électricien agréé qualifié.
  3. **AVERTISSEMENT:** Pour réduire les risques d'incendie, d'électrocution ou de blessure, installer sur une boîte à prises portant la mention « Acceptable pour un support de ventilateur de 15,8 kg (35 lb) ou moins et utiliser les vis de montage fournies avec la boîte à prises et/ou le support de la structure du bâtiment. La plupart des boîtes à prises utilisées actuellement pour supporter les luminaires ne peuvent pas supporter un ventilateur et doivent certainement être remplacées. En raison de la complexité de l'installation de ce ventilateur, il est fortement recommandé de confier les travaux à un électricien qualifié et agréé.
- AVERTISSEMENT: POUR RÉDUIRE LES RISQUES D'INCENDIE, CHOC ÉLECTRIQUE OU BLESSURES, INSTALLER LE VENTILATEUR SUR LA BOÎTE À PRISES MARQUÉE « CAPABLE DE SUPPORTER UN VENTILATEUR ».**
4. La boîte à prises et la structure de support doivent être solidement fixées et capables de supporter de manière fiable un minimum de 22 kg (50 lb). Utiliser uniquement des boîtes à prises homologuées cUL et marquées «**POUR SUPPORTER UN VENTILATEUR**».
  5. Le ventilateur doit être installé à une distance de 2 m minimum du bord de fuite des pales par rapport au sol.
  6. Pour utiliser la fonction inverse sur ce ventilateur, appuyer sur le bouton de marche arrière pendant que le ventilateur est en marche.
  7. Éviter de placer des objets dans la trajectoire des pales.
  8. Pour éviter des blessures ou des dommages au ventilateur et autres objets, prendre toutes les précautions nécessaires lors de travaux effectués près du ventilateur ou lors du nettoyage du ventilateur.
  9. Ne pas utiliser d'eau ni de détergents pour nettoyer le ventilateur ou les pales du ventilateur. Utiliser un chiffon à poussière sec ou légèrement imbibé pour effectuer la majeure partie du nettoyage.
  10. Après avoir effectué les connexions électriques, les conducteurs épissés doivent être tournés vers le haut et soigneusement rentrés dans la boîte à prises. Les fils doivent être écartés avec le conducteur de la mis à la terre et le conducteur de mise à la terre de l'équipement se trouvant sur un côté de la boîte à prises.
  11. Les schémas électriques sont indiqués à titre de référence uniquement. Les kits d'éclairage qui ne sont pas emballés avec le ventilateur doivent être homologués cUL et marqués compatibles pour une utilisation avec le modèle de ventilateur à installer. Les interrupteurs doivent être pour une utilisation d'ordre général homologués cUL. Voir les instructions fournies avec les kits d'éclairage et les interrupteurs pour garantir un assemblage correct.

**AVERTISSEMENT : POUR RÉDUIRE LE RISQUE DE BLESSURES, NE PAS PLIER LES SUPPORTS DE PALES (APPELÉS ÉGALEMENT BRIDES) LORS DU MONTAGE OU APRÈS L'INSTALLATION NE PAS PLACER D'OBJETS DANS LA TRAJECTOIRE DES PALES.**

## OUTILLAGE REQUIS

Tournevis Philips  
Tournevis standard Pale  
Clé de 11 mm  
Escabeau  
Coupe-fil

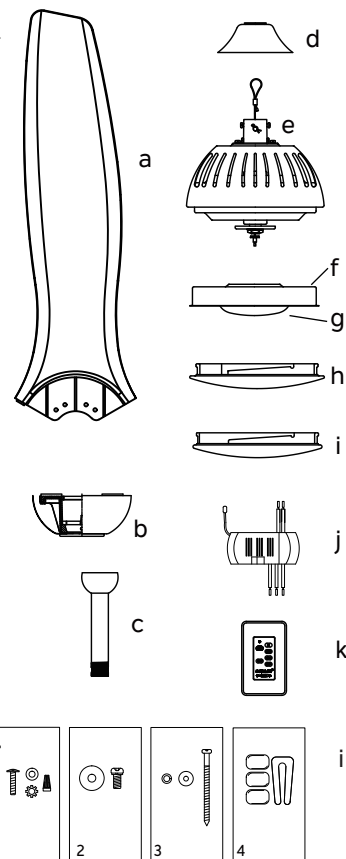


## CONTENU DE L'EMBALLAGE

Déballiez votre ventilateur et vérifiez le contenu. Vous devriez avoir à votre disposition les éléments suivants :

- a. Pales de ventilateur (3)
- b. Cache et support de montage au plafond
- c. Ensemble boule/tige
- d. Couvercle accouplement
- e. Moteur du ventilateur
- f. Plaque du kit d'éclairage
- g. Ensemble LED 17W (pré-assemblé dans la plaque de d'éclairage)
- h. Cache en verre
- i. Cache en métal
- j. Récepteur
- k. Émetteur mural
- l. Contenu du sac de pièces

- 1) Matériel de montage : vis à bois (2), rondelles plates (2), rondelles éventail (2), et serre-fils (3), vis (2)
- 2) Matériel de montage des pales : vis (12 préassemblées + 2 de rechange), Rondelles en métal (12 préassemblées+ 2 de rechange)
- 3) Matériel pour câble de sécurité : vis à bois, rondelle élastique, rondelle plate
- 4) Kit d'équilibrage



# OPTIONS DE MONTAGE

En l'absence d'une boîte de montage homologuée cUL (UL pour les États-Unis), prendre connaissance des instructions suivantes. Débrancher l'alimentation en retirant les fusibles ou en déclenchant les disjoncteurs de la boîte à prises.

Fixer la boîte à prises directement sur la structure du bâtiment. Utiliser des attaches et des matériaux de construction appropriés. La boîte à prises et son support doivent être en mesure de soutenir le poids du ventilateur en mouvement (au moins 22 kg). Ne pas utiliser de boîtes à prises en plastique.

**REMARQUE :** Si vous installez le ventilateur de plafond sur un plafond voûté, vous pouvez avoir besoin d'une tige de suspension plus longue pour maintenir un dégagement approprié entre la pointe de la pale et le plafond. Un intervalle de 30 cm minimum est suggérer pour garantir un fonctionnement optimal.

**REMARQUE :** Selon l'emplacement sélectionné pour l'installation, il peut s'avérer nécessaire d'acheter et d'installer un étrier à solive pour soutenir la boîte à prises. S'assurer que l'étrier à solive qui sera acheté, a été conçu pour une utilisation avec des ventilateurs de plafond (Fig. 4).

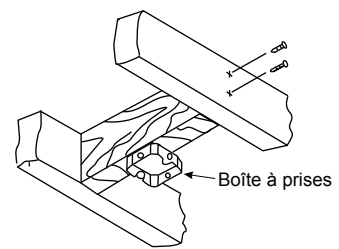


Fig. 1

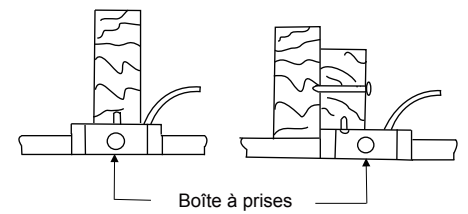


Fig. 2

**PLAFOND EN ANGLE  
ANGLE DE 30° MAXIMUM**

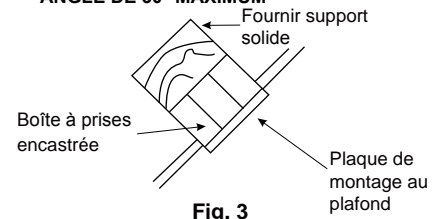


Fig. 3

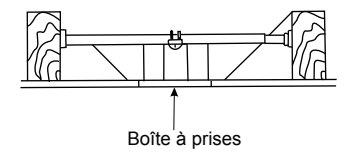


Fig. 4



# SUSPENSION DU VENTILATEUR

## RAPPEL

Pour installer correctement votre ventilateur de plafond, procéder comme suit.

**Étape 1.** Retirez le couvercle du fond du cache décoratif en le tournant dans le sens antihoraire (Fig. 5).

**Étape 2.** Retirez le support de fixation au plafond du cache en le enlevant (et en mettant de côté) une des deux vis. Desserrez la vis restante d'un demi-tour (Fig. 5).

**Étape 3.** Faites passer les fils d'alimentation de 120 V de la boîte à prises du plafond par le centre du support de montage au plafond (Fig. 6).

**Étape 4.** Fixez le support de montage au plafond à la boîte à prises en utilisant les vis et les rondelles fournies avec la boîte à prises (Fig. 6).

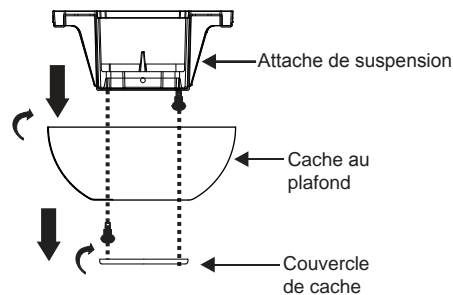


Fig. 5

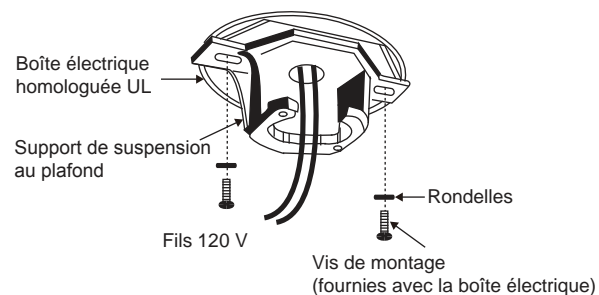


Fig. 6

# SUSPENSION DU VENTILATEUR (SUITE)

**Étape 5.** Retirez la boule de suspension de la tige de fixation en desserrant la vis de blocage, en dévissant et en retirant la goupille transversale et en retirant la boule de la tige (Fig. 7).

**Étape 6.** Desserrez les deux vis de pression et enlevez la goupille ainsi que le clip de retenue du couplage sur le dessus du moteur (Fig. 8).

**Étape 7.** Acheminez soigneusement les fils conducteurs électriques depuis le ventilateur jusqu'à la tige de suspension. Installez la tige de suspension dans l'accouplement jusqu'à ce que les trous de goupille soient alignés.

Remplacez ensuite la goupille et le clip de retenue. Serrez les deux vis de pression (Fig. 8)

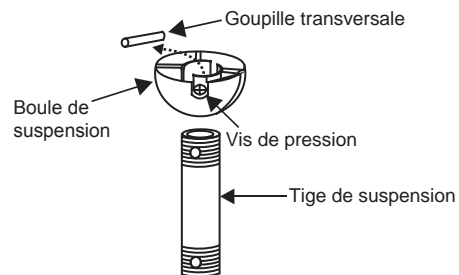


Fig. 7

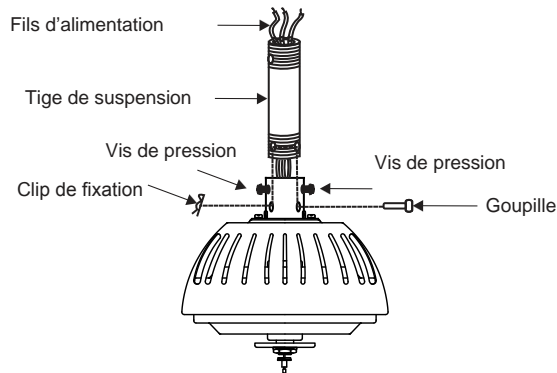


Fig. 8

# SUSPENSION DU VENTILATEUR (SUITE)

**Étape 8.** Faites glisser le couvercle d'accouplement, le couvercle du cache et le cache sur la tige de suspension. (Fig. 9). Placez la balle de suspension sur la tige de suspension, insérez la broche transversale dans la tige de suspension et serrez. Serrez maintenant la vis de pression. (Fig. 9).

**Étape 9.** Soulevez le moteur en position et placez la boule de suspension dans le support de montage au plafond. Tournez l'ensemble jusqu'à ce que *Check Tab* (languette de contrôle) se trouve dans *Registration Slot* (Fente d'installation) et qu'il soit fermement logé (Fig. 10). Le moteur entier ne doit pas tourner (à gauche ou à droite) lorsque l'installation est bien logée.

**AVERTISSEMENT :** Toujours fixer à nouveau la goupille et placer le *Check Tab* correctement sous risque de faire tomber le ventilateur du plafond pendant le fonctionnement. Prendre toutes les précautions nécessaires pour s'assurer que cette broche est remise en place.

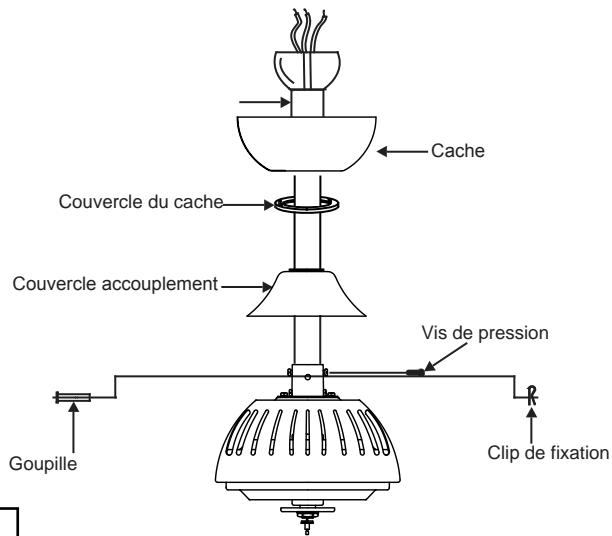


Fig. 9

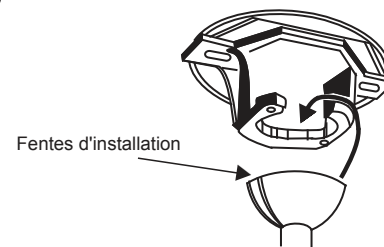


Fig. 10

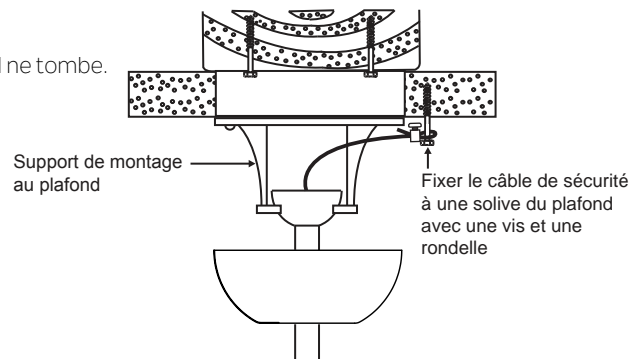
# INSTALLATION DU SUPPORT DE SÉCURITÉ

(requis **UNIQUEMENT** dans le cas d'une installation canadienne)

Un câble de support de sécurité est fourni pour empêcher que le ventilateur de plafond ne tombe.

**Étape 1.** Fixez la vis à bois et les rondelles fournies à la solive du plafond à côté du support de montage sans serrer (Fig. 11).

**Étape 2.** Ajustez la longueur du câble de sécurité pour atteindre la vis et les rondelles en tirant l'excès de câble à travers le serre-câble jusqu'à ce que la longueur totale soit correcte. Placez l'embout du câble à travers le serre-câble en formant une boucle à l'extrémité du câble. Serrez bien le serre-câble. Mettez maintenant la boucle à l'extrémité du câble de sécurité au-dessus de la vis à bois et sous la rondelle. Serrez bien la vis à bois.



**Fig. 11**

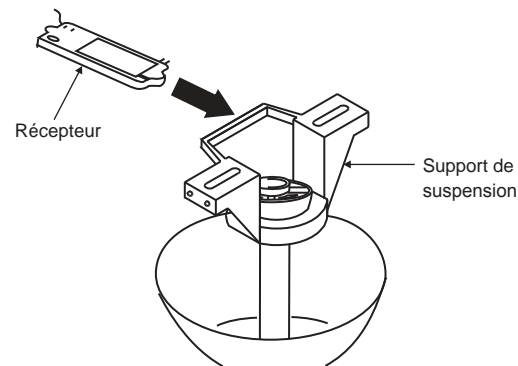
**REMARQUE :** Le câble de support de sécurité est requis pour les installations canadiennes uniquement. Il est recommandé d'effectuer la fixation à toute installation.

# CONNEXIONS ÉLECTRIQUES

**AVERTISSEMENT:** Pour éviter tout risque d'électrocution, s'assurer que l'alimentation est coupée au niveau du panneau de circuit principal.

Procédez comme suit pour raccorder le ventilateur au câblage du domicile. Utilisez les raccords de connexion des fils fournis avec le ventilateur. Fixez les connecteurs avec du ruban électrique. Assurez-vous qu'il n'y a pas de brins de fil ni de connexions desserrés.

**Étape 1.** Insérez le récepteur dans le support de montage au plafond avec le côté plat du récepteur face au plafond. (Fig. 12) Pour optimiser la performance, assurez-vous que l'antenne noire, à l'extrémité du récepteur, reste étendue et qu'elle n'est pas emmêlée avec les fils électriques.



**Fig. 12**

# CONNEXIONS ÉLECTRIQUES

## (SUITE)

**Étape 2.** Connexions électriques entre le moteur et le récepteur : (Fig. 13)

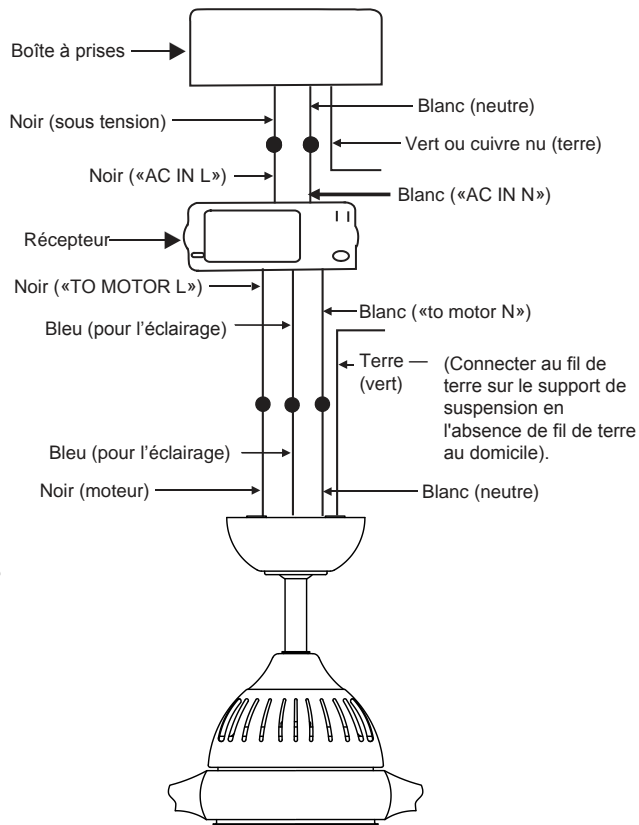
Connectez le fil NOIR du ventilateur au fil noir marqué "TO MOTOR L" du récepteur. Connectez le fil blanc du ventilateur au fil blanc marqué "TO MOTOR N" du récepteur. Connectez le fil bleu du ventilateur au fil bleu marqué pour l'éclairage ("FOR LIGHT") du récepteur. Sécurisez toutes les connexions de fils avec les serre-fils en plastique (fournis).

**Étape 3.** (Fig. 13) Connexions entre récepteur et fils d'alimentation du domicile :

Connectez le fil noir (sous tension) du plafond au fil noir marqué "AC IN L" du récepteur. Connectez le fil blanc (neutre) du plafond au fil blanc marqué "AC IN N" du récepteur.

**Étape 4.** (Fig.13) Si la boîte à prises a un fil de masse (vert ou cuivre nu), le connecter aux fils de mise à la terre du ventilateur : en l'absence de ce fil, connecter le fil de mise à la terre du ventilateur au support de montage. Sécurisez la connexion du fil avec l'écrou en plastique (fourni). Après avoir connecté les fils, séparez-les de sorte que les fils verts et blancs se trouvent sur un côté de la boîte à prises et les fils noirs et bleus de l'autre côté.

Introduisez prudemment les raccordements des fils dans la boîte à prises.



**Fig. 13**

**REMARQUE:** Le ventilateur doit être installé à une distance maximale de 9 m de l'émetteur mural pour garantir une transmission de signal optimale entre l'unité émettrice et l'unité réceptrice du ventilateur.

# FIN DE L'INSTALLATION

**Étape 1.** Placez toutes les connexions parfaitement dans la boîte à prises du plafond.

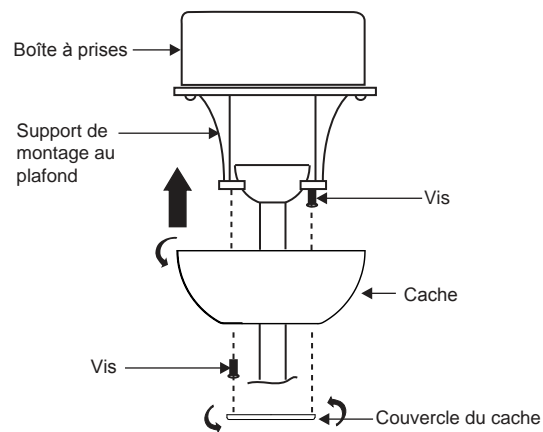
**Étape 2.** Faites glisser le cache jusqu'au support de montage et placez l'une des principales fentes de trou au-dessus de la vis de montage sur le support de montage.

Tournez le cache jusqu'à ce que la tête de la vis soit verrouillée en place à la section étroite du trou de serrure. Voir la figure 14.

**Étape 3.** Alignez le trou circulaire restant sur le cache au trou restant sur le support de montage au plafond. Insérez et serrez la vis de montage retirée plus tôt et la vis de montage de l'étape 2 ci-dessus. Fixez maintenant le couvercle du cache sur les têtes de vis de montage en insérant les têtes de vis dans la partie inférieure du cache et en tournant le couvercle dans le sens horaire.

**REMARQUE:** Régler les vis du cache jusqu'à ce que le cache et le couvercle du cache soient ajustés correctement (Fig. 14).

**AVERTISSEMENT :** S'assurer que la *languette de contrôle* en bas de la bride de suspension soit bien calée dans la *fente d'installation* sur le côté de la boule de suspension avant de fixer le cache au support. Si la *languette de contrôle* n'est pas logée correctement dans la *fente d'installation*, les fils électriques lorsque la direction des pales du ventilateur change alors que le ventilateur est en marche.

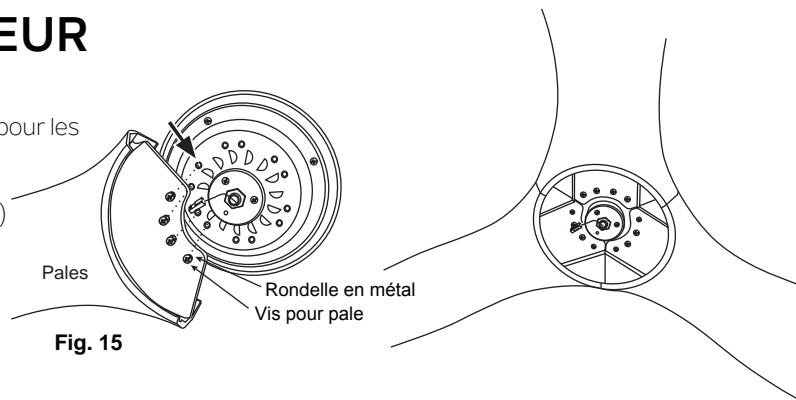


**Fig. 14**

# FIXER LES PALES DU VENTILATEUR

**Étape 1.** Alignez les 4 trous de la pale sur le moteur du ventilateur.  
Fixez la pale avec la vis et la rondelle en métal pré-assemblées prévues pour les pales. (Fig. 15)

**Étape 2.** Suivez le même processus pour les deux autres pales. (Fig. 15)



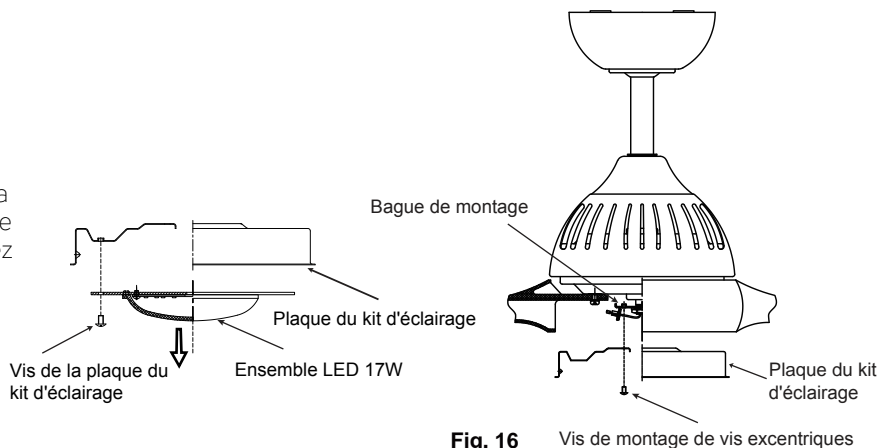
# INSTALLATION DE LA PLAQUE DU KIT D'ÉCLAIRAGE

**Étape 1:** Retirez l'ensemble LED 17W de la plaque du kit d'éclairage en enlevant les trois vis de la plaque du kit d'éclairage. Mettez les vis de côté pour un réassemblage ultérieur.

**Étape 2.** Retirez l'une des trois vis de la bague de montage de l'ensemble du moteur du ventilateur et desserrer, mais ne pas retirer les deux autres vis.

**Étape 3.** Placez les fentes des trous en forme de serrure (situées de la plaque du kit d'éclairage) sur les deux vis préalablement desserrées de la bague de montage de l'ensemble du moteur du ventilateur. Tournez la plaque du kit d'éclairage jusqu'à ce qu'elle soit verrouillée au niveau de la section étroite des trous en forme de serrure.

**Étape 4.** Fixez en serrant les 2 vis précédemment desserrées ainsi que celle précédemment retirée.





# INSTALLATION DE L'ENSEMBLE LED ET DU CACHE EN VERRE

**REMARQUE:** Avant de commencer l'installation, débrancher l'alimentation en déclenchant le disjoncteur ou en retirant le fusible de la boîte à fusibles.

**Étape 1.** Tout en maintenant l'ensemble LED sous le ventilateur, enclenchez fermement les fiches de connexion des fils (Fig.17).

**Étape 2.** Positionnez l'ensemble DEL sur la plaque du kit d'éclairage et assurez-vous que les trous des vis sont correctement alignés (Fig.17).

**Étape 3.** Fixez l'ensemble LED en remplaçant les trois vis de la plaque de kit d'éclairage retirées précédemment. Serrez solidement toutes les vis (Fig.17).

**Étape 4.** Fixez le cache en verre sur la plaque du kit d'éclairage en le tournant fermement (Fig. 17)

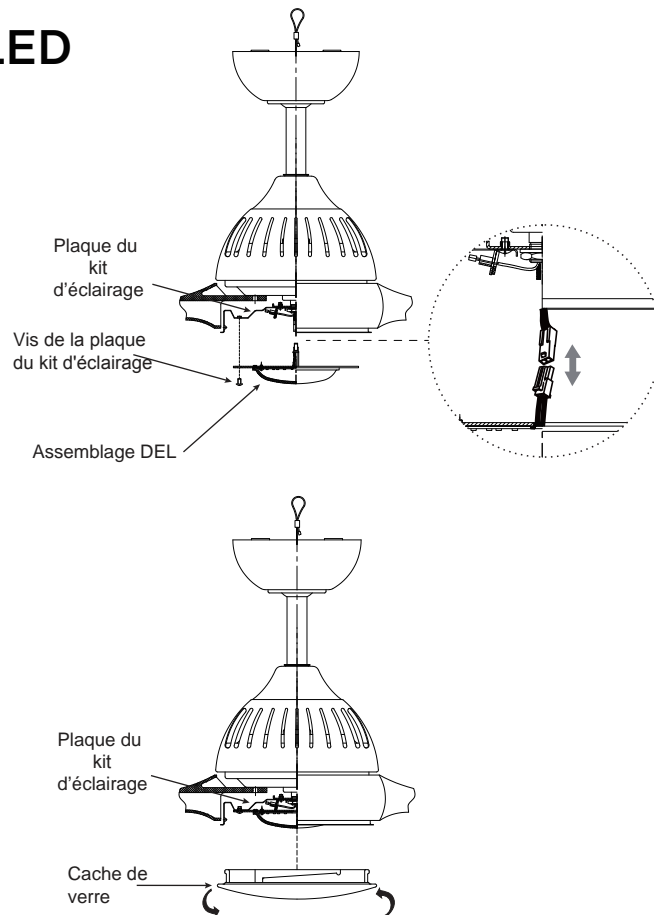
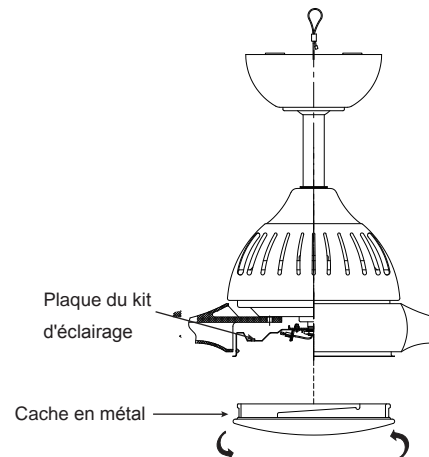


Fig. 17

# INSTALLATION DU CACHE EN MÉTAL

**Étape 1.** Pour faire tourner le ventilateur sans l'éclairage, passez l'étape ci-dessus. Installation du kit d'éclairage à LED et du cache en verre ci-dessus et procédez comme suit : Fixez le cache en métal sur la plaque du kit d'éclairage en le tournant fermement (Fig. 18)

**AVERTISSEMENT :** Avant d'installer le cache en métal, toujours s'assurer que l'ensemble DEL a été débranché ou retiré.



**Fig. 18**

# INSTALLATION DE L'ÉMETTEUR MURAL

**AVERTISSEMENT:** RELIER 'EN SÉRIE' UNIQUEMENT. NE PAS CONNECTER DE FIL D'ALIMENTATION NEUTRE DU CIRCUIT ÉLECTRIQUE À L'INTERRUPTEUR MURAL DE L'ÉMETTEUR MURAL SOUS RISQUE D'ENDOMMAGER L'INTERRUPTEUR MURAL ET DÉCLENCHER UN INCENDIE.

**Étape 1.** Retirez la plaque murale présente et l'ancien interrupteur de la boîte à prises murale (Fig.19).

**Étape 2.** Établissez les connexions électriques tel qu'indiqué sur la Fig. 20. Si votre boîte à prises est munie d'un fil de terre (vert ou cuivre nu), connectez le fil de terre de l'émetteur directement à l'une des vis de la boîte à prises. Sécurisez toutes les connexions de fils avec les connecteurs en plastique (fournis).

**Étape 3.** Introduisez prudemment les raccordements des fils dans la boîte à prises murale. Utilisez les vis fournies pour fixer l'émetteur mural et la plaque murale à la boîte à prises murale.

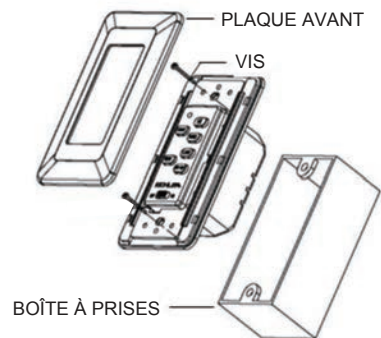


Fig. 19

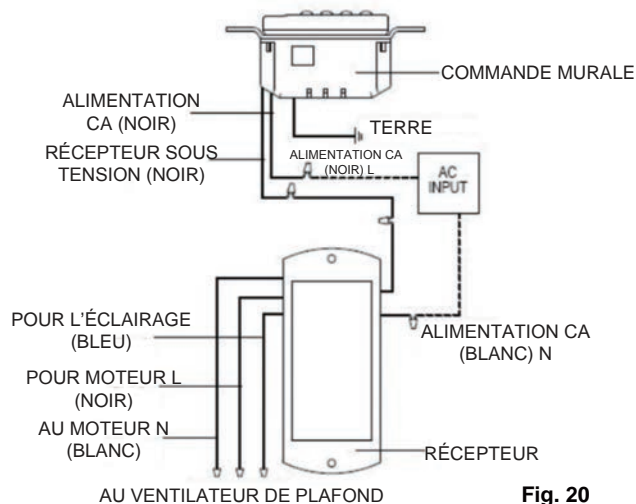



Fig. 20

# INSTRUCTIONS D'UTILISATION

## ACTIVATION DU PROCESSUS D'APPRENTISSAGE (Fig.21)

**REMARQUE:** Le système de contrôle de ce ventilateur est équipé d'une fonction de fréquence d'apprentissage dotée de combinaisons de 56K codes afin d'empêcher toute interférence provenant d'autres télécommandes. La fréquence du récepteur et de l'émetteur mural a été préréglée par défaut. Aucun changement de fréquence n'est nécessaire. Si le ventilateur ne fonctionne pas ou si vous souhaitez installer un autre ventilateur dans le même domicile ou la même zone avec un code de fréquence distinct, veuillez consulter la section "Processus d'apprentissage" ci-dessous dans ce manuel d'instructions pour coder en parallèle le récepteur et l'émetteur mural.

1. Utilisez un petit tournevis plat et soulevez délicatement la plaque avant du haut de l'émetteur mural (Fig. 21).
2. Une fois l'installation terminée, le courant CA est mis en marche et l'interrupteur **OFF**  **ON** est en position de marche (ON) dans les 30 secondes, appuyez et maintenez le bouton LEARN enfoncé pendant 3 secondes. Le ventilateur se met en marche à vitesse moyenne et l'éclairage (si installé) s'allume. Le paramètre SMART SYNC est donc actif et correct (Fig. 21).
3. Si vous ne pouvez pas terminer le réglage dans les 30 secondes, l'alimentation principale doit être éteinte et remise en marche. Le système est automatiquement réinitialisé. Répétez l'étape 2 jusqu'à ce que la fonction LEARN soit activée tel qu'indiqué.

### SÉLECTEUR DE LA FONCTION D'ÉCLAIRAGE (Fig. 21)

1. D signifie "Atténuateur"

O signifie "seulement activation/désactivation, pas d'atténuation"

L'éclairage de ce ventilateur peut être plus faible et a été réglé sur "D" par défaut. Pour que l'éclairage soit uniquement allumée/éteinte, permutez le bouton sur "O".

### FONCTIONNEMENT DE L'ÉMETTEUR MURAL (Fig. 22)

ON/OFF (MARCHE/ARRÊT) : Activez l'émetteur mural ou verrouillez l'émetteur mural.

FAN OFF ARRÊT VENTILATEUR) : Éteint le ventilateur au plafond.

HI (ÉLEVÉ) : Met le ventilateur en marche à grande vitesse.

MED (MOYENNE) : Met le ventilateur en marche à une vitesse moyenne.

LOW (FAIBLE) : Met le ventilateur en marche à une vitesse faible.

LIGHT (ÉCLAIRAGE) : Allume et éteint l'éclairage. Appuyez et maintenez enfoncé le bouton pour régler la luminosité au niveau souhaité.

REV (ARRIÈRE) : Appuyez sur ce bouton pour que le ventilateur au plafond fonctionne vers l'avant ou l'arrière.

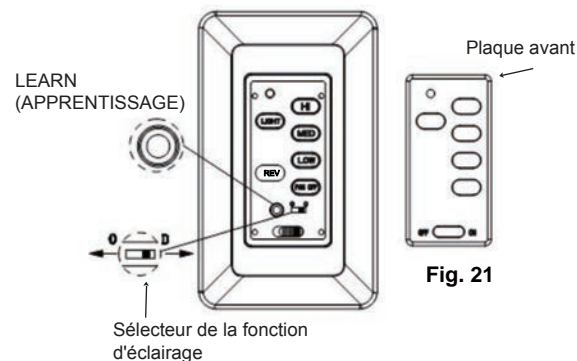


Fig. 21

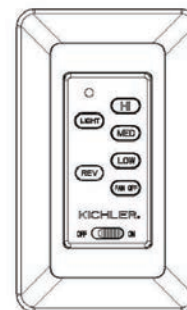


Fig. 22

## FONCTION EN MARCHE ARRIÈRE

**REMARQUE:** Pour changer le sens de rotation des pales, le ventilateur doit être en marche.

Temps chaud - Vers l'avant (sens inverse des aiguilles d'une montre)  
Un flux d'air confortable vers le bas.

Temps frais - En marche arrière (dans le sens des aiguilles d'une montre)  
Un flux d'air chaud vers le haut.

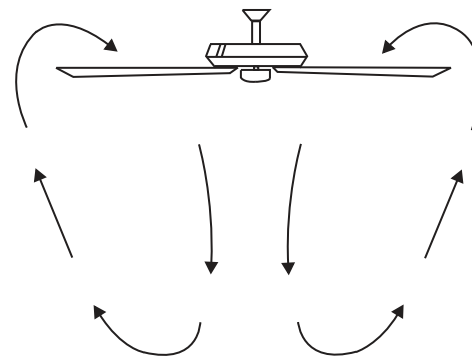


Fig. 23

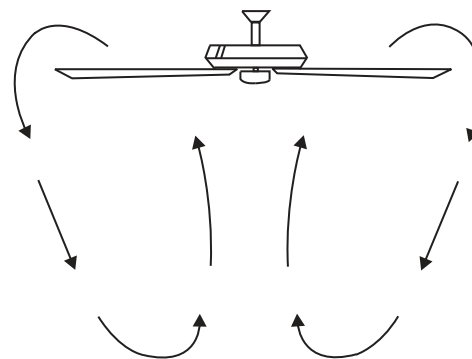


Fig. 24

# DÉPANNAGE

## Problème

## Solution

Impossible de mettre le ventilateur en marche.

1. Vérifiez les fusibles ou disjoncteurs de circuit.
2. Vérifiez tous les raccordements électriques pour garantir un bon contact.

**MISE EN GARDE :** Assurez-vous que l'alimentation principale est COUPÉE lors de la vérification des raccordements électriques.

Le ventilateur est bruyant.

1. Assurez-vous que toutes les vis du boîtier du moteur sont bien ajustées.
2. Assurez-vous que les vis qui fixent les supports des pales du ventilateur au moteur sont bien serrées.
3. Assurez-vous que les connexions des raccords filaires ne frottent pas les uns contre les autres ou contre la paroi intérieure du boîtier d'interrupteur.

**MISE EN GARDE :** Assurez-vous que l'alimentation est coupée.

4. La période de rodage est de 24 heures. La majorité des bruits associés à un nouveau ventilateur disparaissent pendant la période de rodage.
5. Si vous utilisez un kit d'éclairage en option, assurez-vous que les vis de fixation de la verrerie sont serrées. Assurez-vous que les ampoules ne sont pas en contact avec aucun autre composant.
6. Ne pas connecter le ventilateur à un ou plusieurs contrôleurs de vitesse variables muraux. Ils ne sont pas compatibles avec les moteurs de ventilateur de plafond ou les télécommandes.
7. Assurez-vous que la monture supérieure est à une courte distance du plafond. Il ne doit pas toucher le plafond.

Le ventilateur vacille.

1. Vérifiez que toutes les vis des pales et des bras de pales sont sécurisées.
2. La plupart des problèmes de vacillement des ventilateurs provient des niveaux inégaux des pales. Vérifiez ce niveau en sélectionnant un point au plafond au-dessus de l'extrémité d'une des pales. Mesurez cette distance. Faites tourner le ventilateur jusqu'à ce que la prochaine pale soit positionnée pour la mesure. Répétez pour chaque pale. L'écart de distance doit se trouver dans les 1/8 po.
3. Si le vacillement des pales est toujours perceptible, échangez deux pales adjacentes (côte à côte) pour redistribuer le poids et éventuellement permettre un fonctionnement plus équilibré.

Dysfonctionnement de la télécommande.

1. Les ventilateurs de plafond avec des systèmes de contrôle à distance **NE PEUVENT PAS** fonctionner conjointement avec tout autre système de contrôle, **SAUF** un interrupteur mural de marche/arrêt, si souhaité.

# KICHLER®

[www.kichler.com](http://www.kichler.com)

KICHLER® LIGHTING

7711 EAST PLEASANT VALLEY ROAD P.O. BOX 318010

CLEVELAND, OHIO 44131-8010 U.S.A.

SERVICE À LA CLIENTÈLE 866.558.5706

De 08h30 à 17h (heure normale de l'Est), du lundi au vendredi